



US00D402533S

**United States Patent** [19]  
**Barkan**

[11] **Patent Number: Des. 402,533**

[45] **Date of Patent: \*\*Dec. 15, 1998**

[54] **PIPE JOINT DECORATIVE COVER**

D. 355,590 2/1995 Kuwata ..... D8/382  
D. 374,608 10/1996 Shoda ..... D8/382

[76] Inventor: **Lior Barkan**, 18 Hsadna Street, Eolon, Israel

*Primary Examiner*—Holly Baynham  
*Attorney, Agent, or Firm*—Abelman, Frayne & Schwab

[\*\*] Term: **14 Years**

[57] **CLAIM**

[21] Appl. No.: **63,957**

I claim the ornamental design for a pipe joint decorative cover, as shown and described.

[22] Filed: **Dec. 19, 1996**

**DESCRIPTION**

[30] **Foreign Application Priority Data**

Jun. 20, 1996 [IL] Israel ..... 26402

FIG. 1 is a perspective view;  
FIG. 2 is a front view thereof;  
FIG. 3 is a left-side view thereof;  
FIG. 4 is a rear view thereof;  
FIG. 5 is a right-side view thereof;  
FIG. 6 is a top view thereof; and,  
FIG. 7 is a bottom view thereof.

[51] **LOC (6) Cl.** ..... **08-05**

[52] **U.S. Cl.** ..... **D8/349**

[58] **Field of Search** ..... D8/382, 349, 354;  
403/400, 205, 394, 403

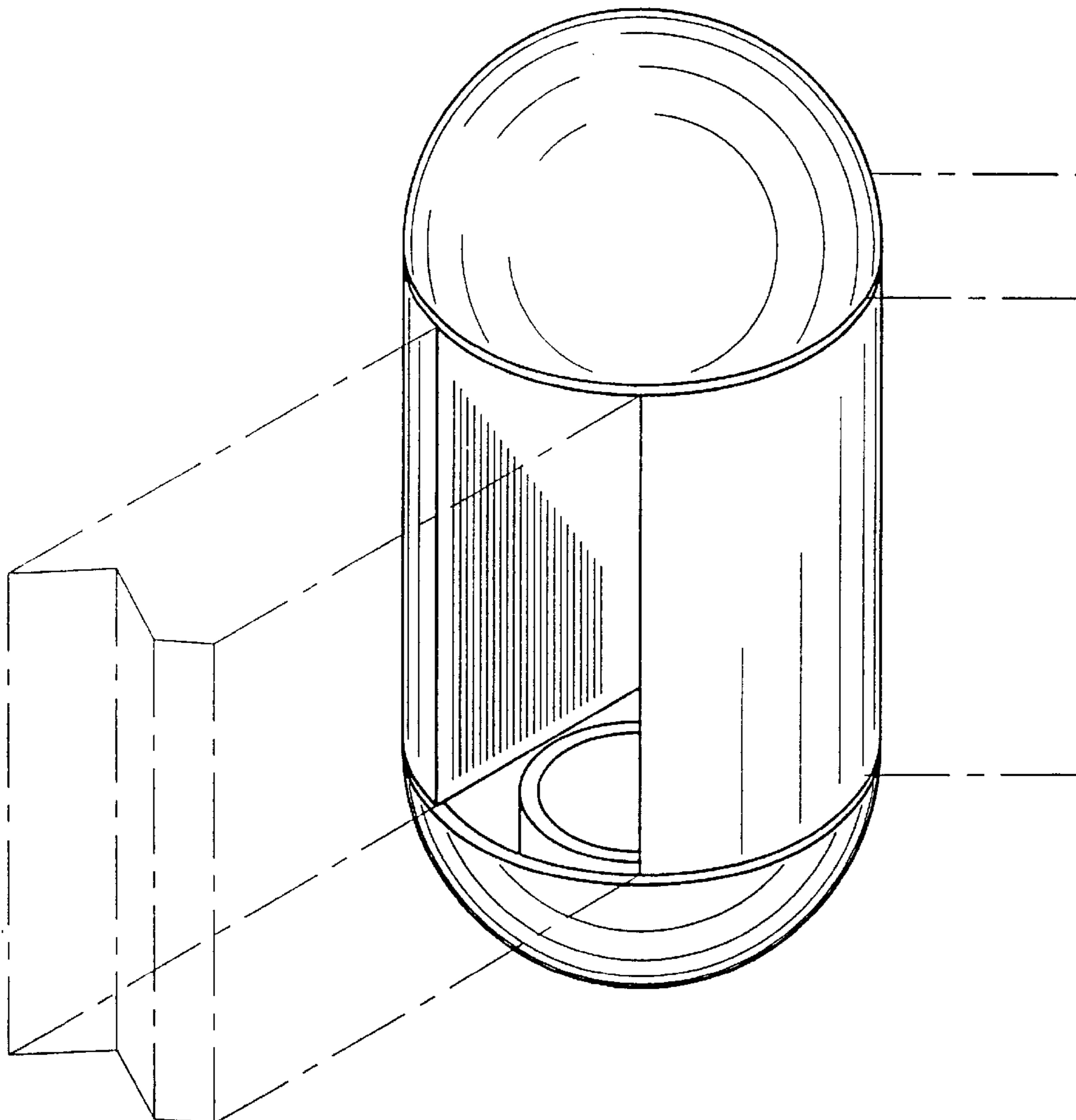
The broken line showing of partial structure is for illustrative purposes only and forms no part of the claimed design.

[56] **References Cited**

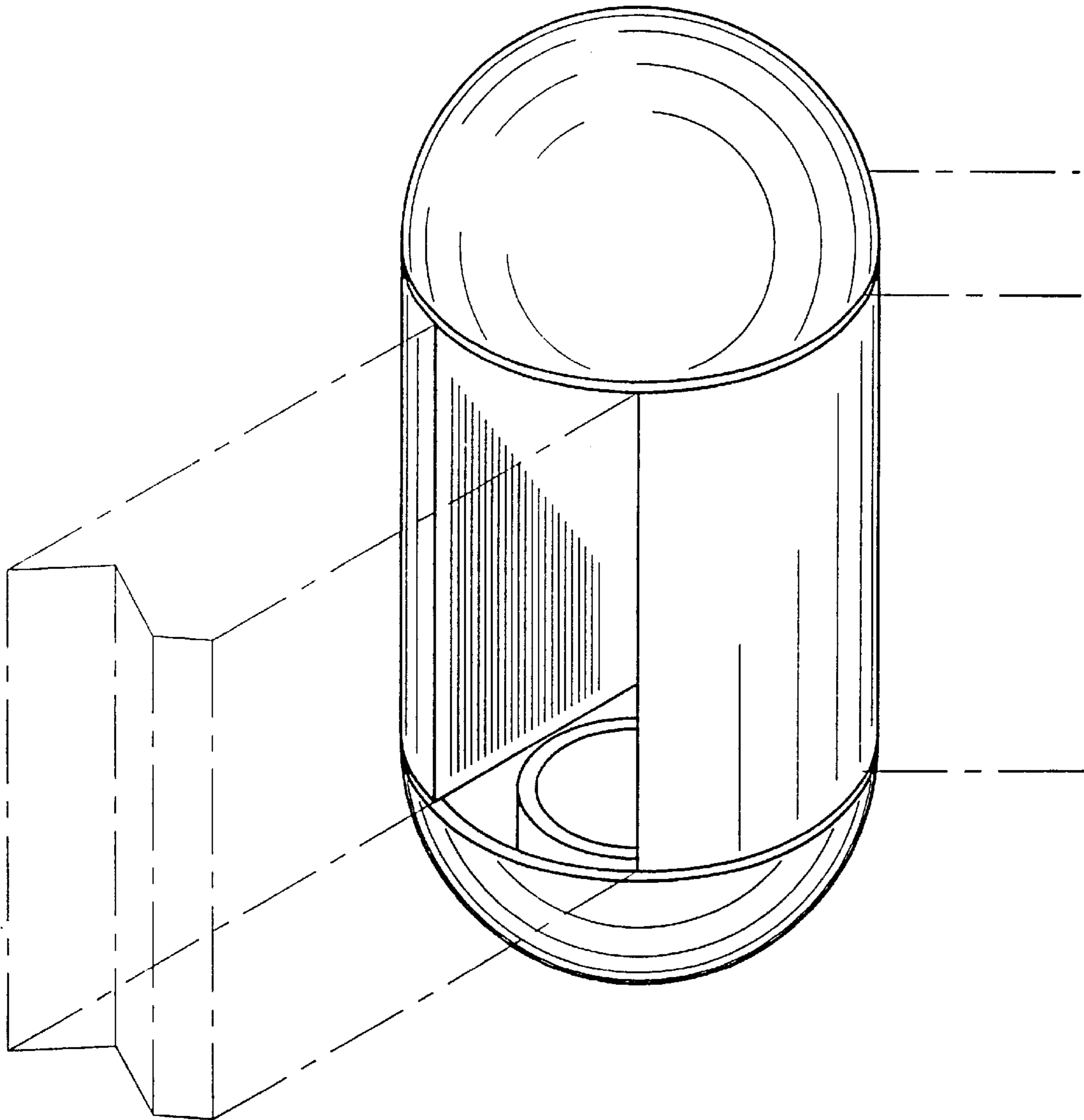
**U.S. PATENT DOCUMENTS**

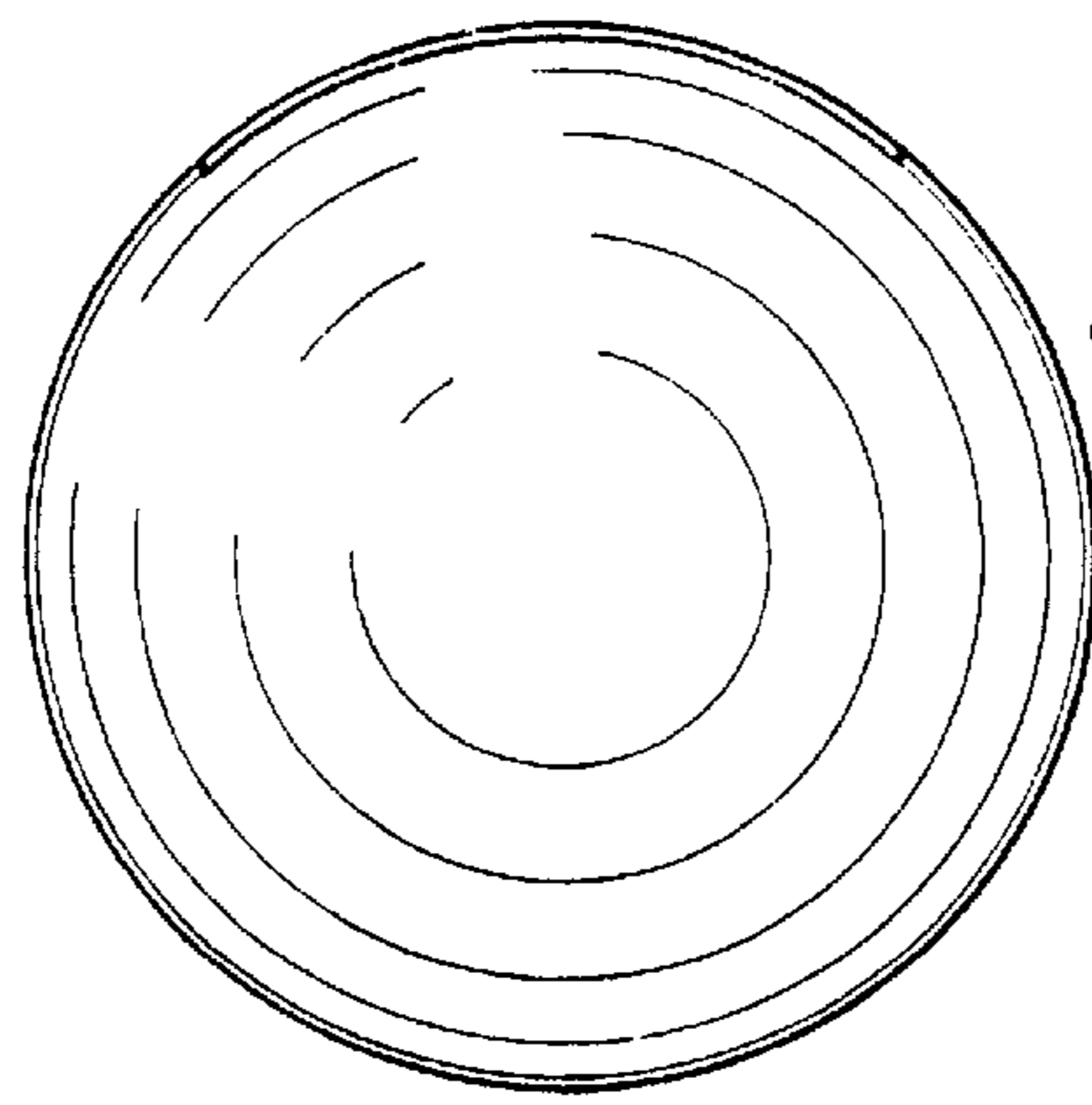
D. 337,172 7/1993 Maglica et al. .... D26/138

**1 Claim, 3 Drawing Sheets**

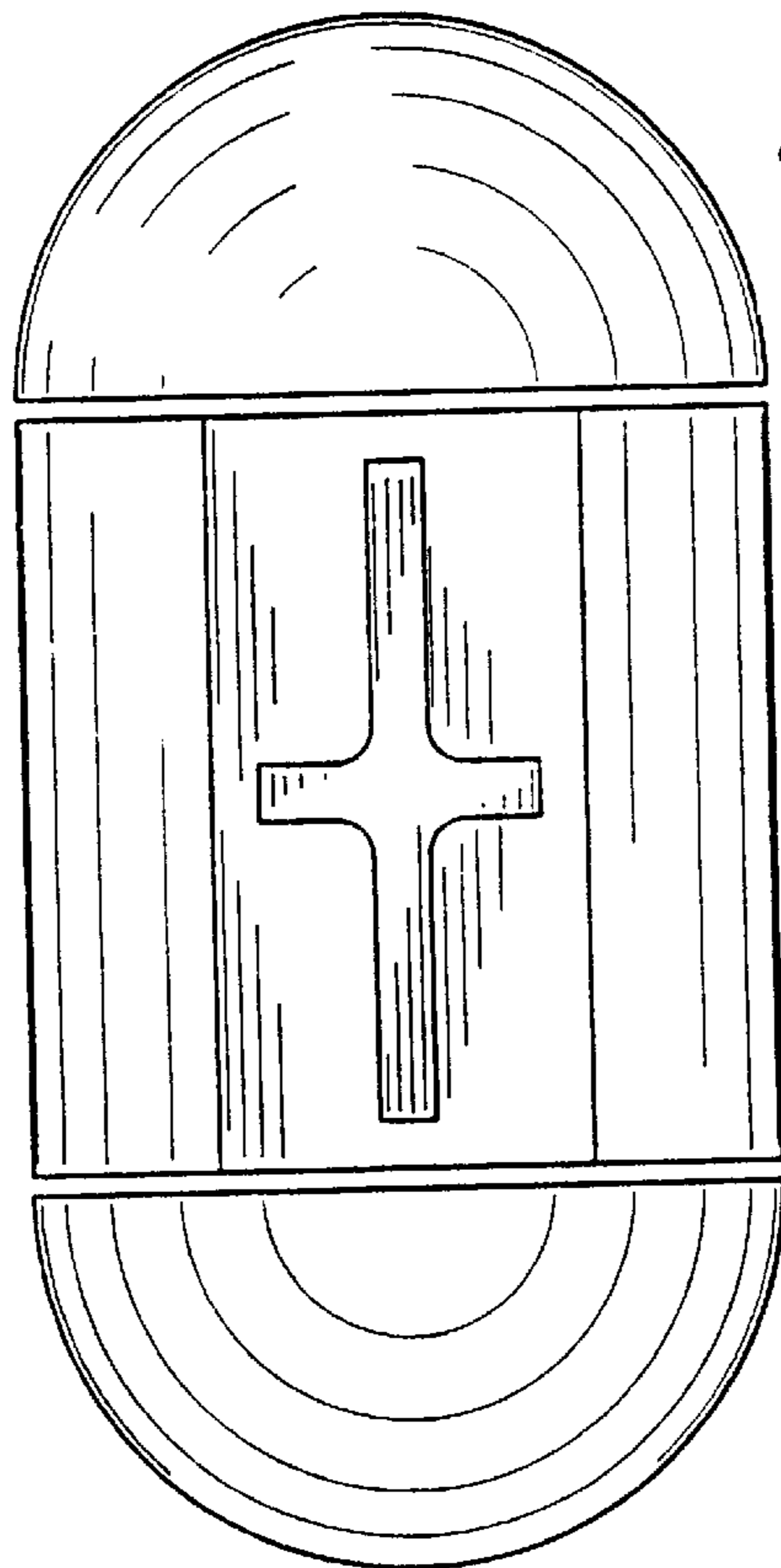


*FIG. 1*

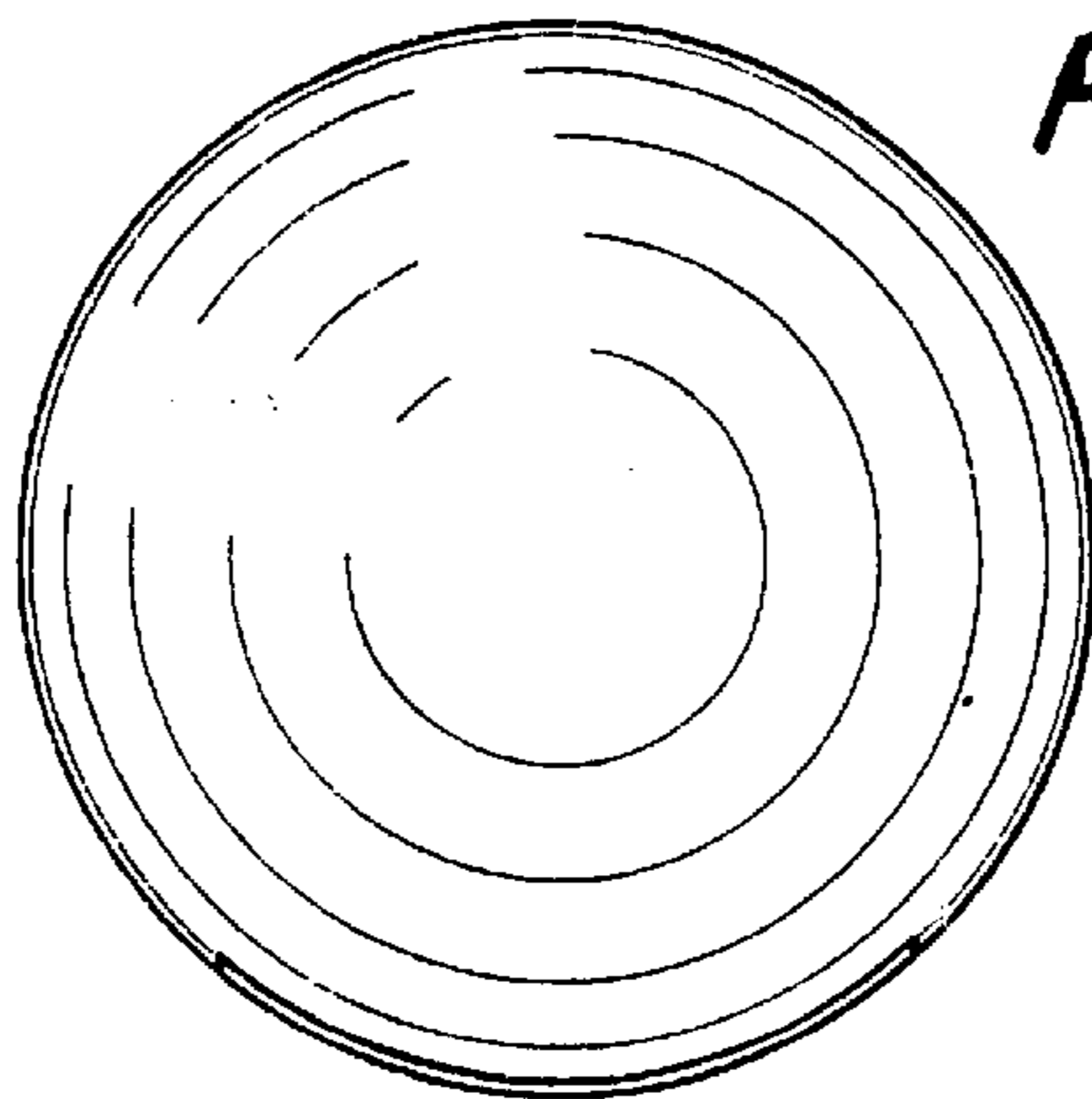




*FIG. 6*

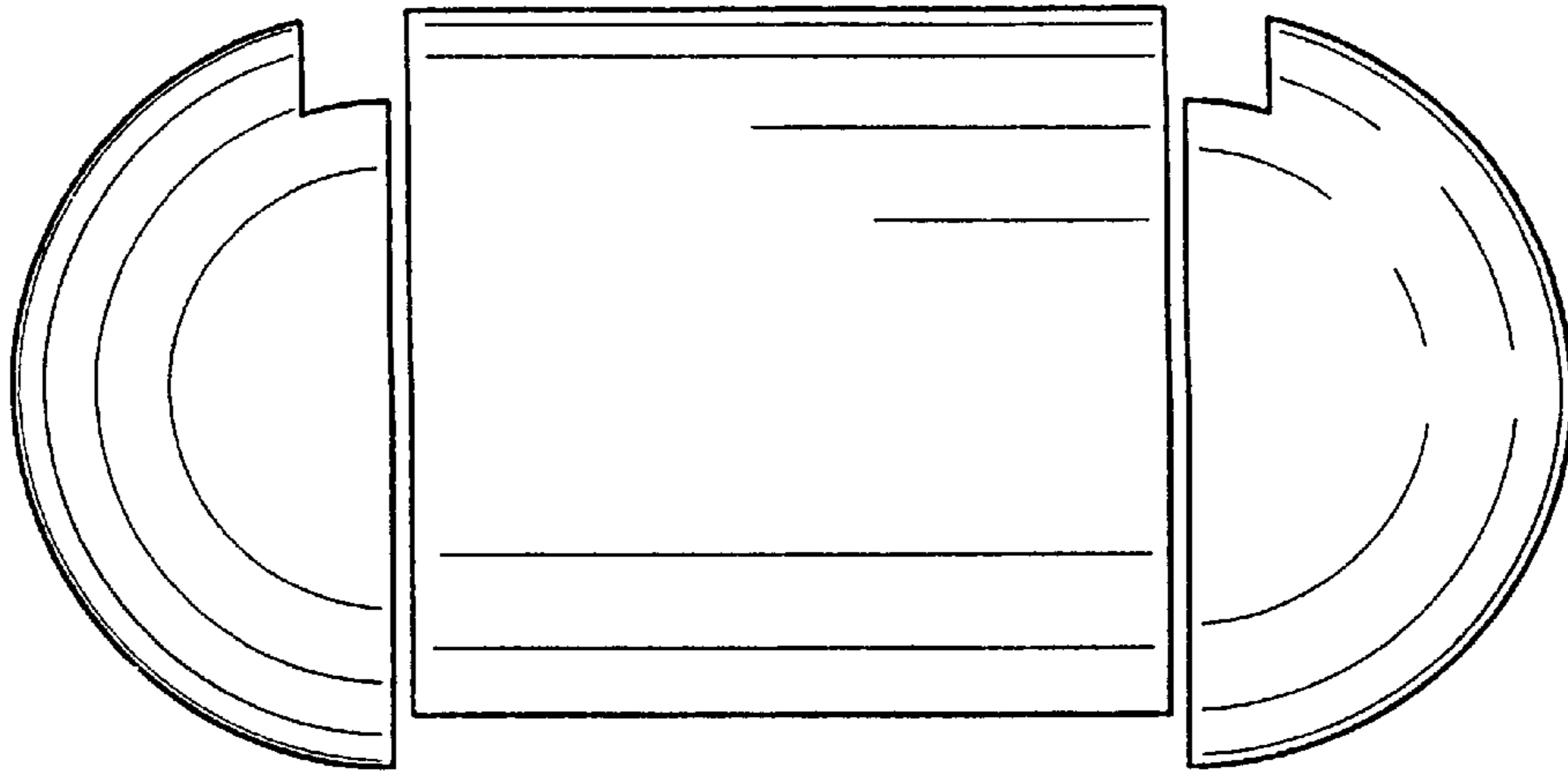


*FIG. 2*

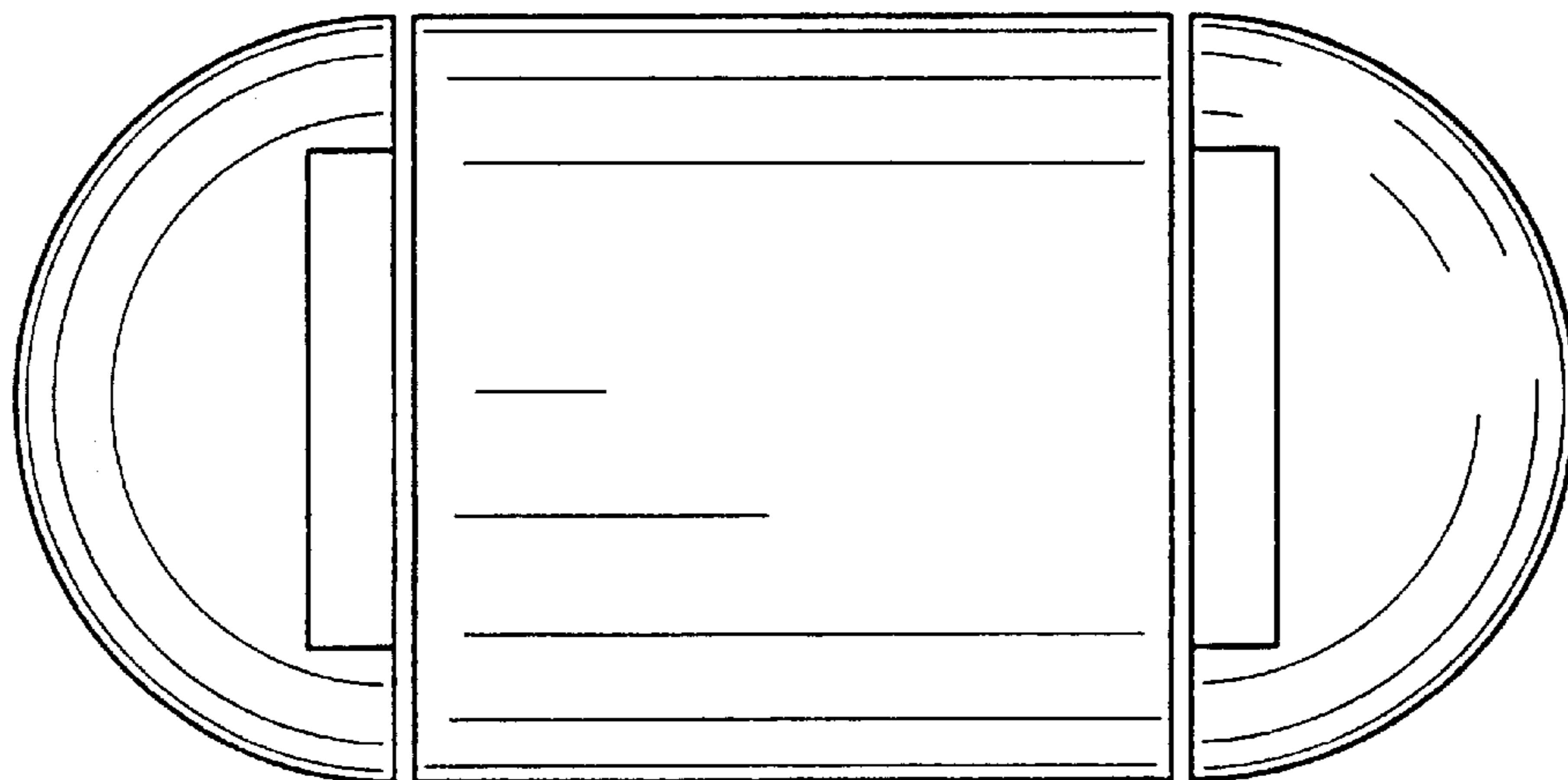


*FIG. 7*

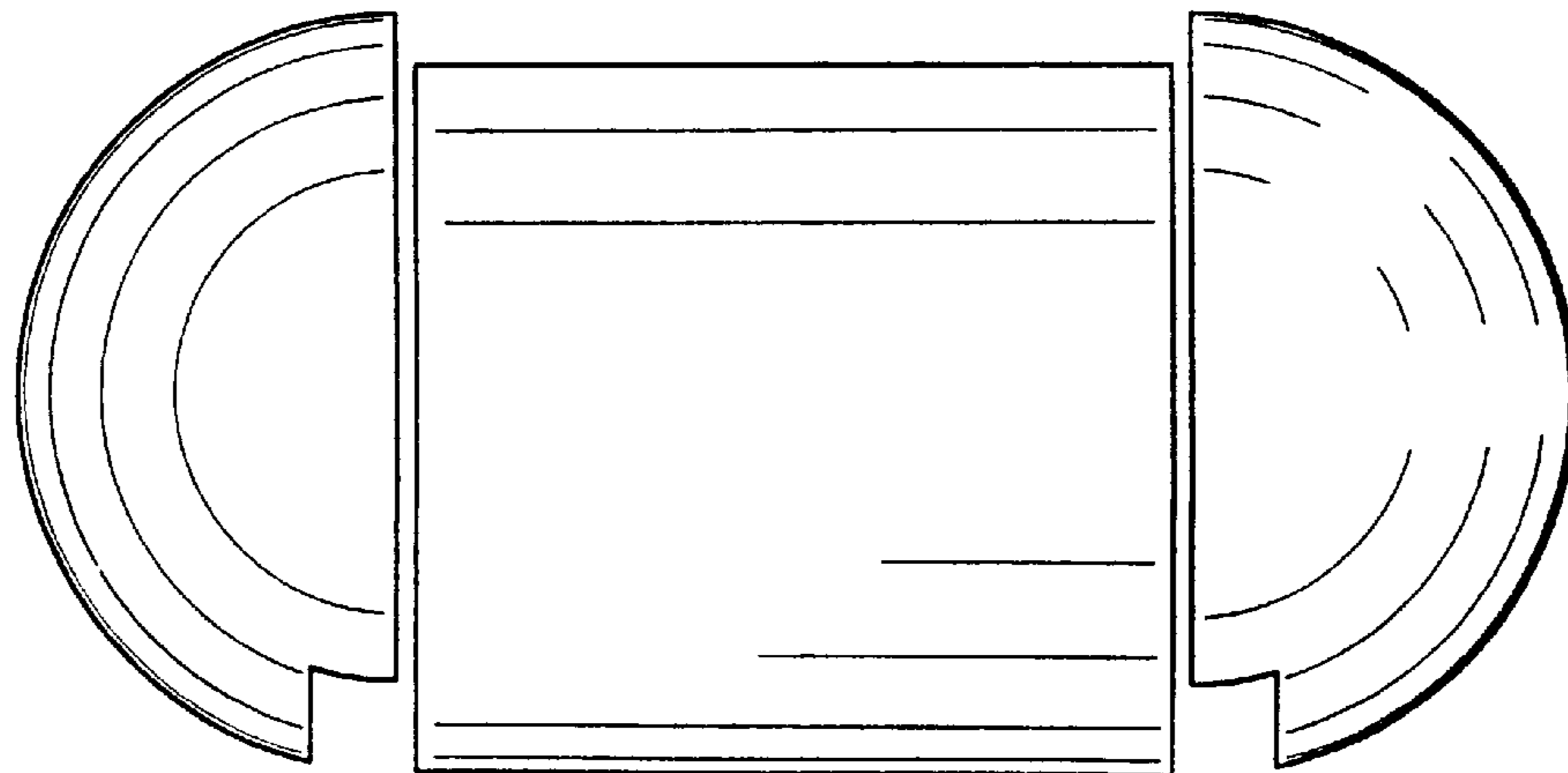
*FIG. 5*



*FIG. 4*



*FIG. 3*



UNITED STATES PATENT AND TRADEMARK OFFICE  
**CERTIFICATE OF CORRECTION**

PATENT NO. : Des. 402,533  
DATED : December 15, 1998  
INVENTOR(S) : Lior Barkan

It is certified that error appears in the above-identified patent and that said Letters Patent is hereby corrected as shown below:

Title page, item [76], inventor's address should read -- Holon, Israel --.

Signed and Sealed this  
Thirtieth Day of March, 1999

*Attest:*



Q. TODD DICKINSON

*Attesting Officer*

*Acting Commissioner of Patents and Trademarks*