



US00D402528S

United States Patent [19]
Brucker

[11] **Patent Number: Des. 402,528**

[45] **Date of Patent: **Dec. 15, 1998**

[54] **HANDLE ASSEMBLY**

[75] Inventor: **Kevin R. Brucker**, San Diego, Calif.

[73] Assignee: **Pacific Tech Industries**, Puyallup, Wash.

[**] Term: **14 Years**

[21] Appl. No.: **80,844**

[22] Filed: **Nov. 25, 1997**

[51] **LOC (6) Cl.** **08-06**

[52] **U.S. Cl.** **D8/313**

[58] **Field of Search** D8/300, 313, 314;
16/110 R, 124, 111 R

[56] **References Cited**

U.S. PATENT DOCUMENTS

- D. 116,497 9/1939 Lingard .
- D. 192,787 5/1962 Dyer .
- D. 248,923 8/1978 Spellier D8/313
- D. 249,224 9/1978 Spellier D8/313

OTHER PUBLICATIONS

Page from the McMaster-Carr catalog (Item (C) Malleable Iron with Tan Enamel Finish) (Undated).
Sager Cat. No. 37; p. 172; Pull No. 3858, © 1937.

Primary Examiner—B. J. Bullock
Attorney, Agent, or Firm—Seed and Berry LLP

[57] **CLAIM**

The ornamental design for a handle assembly, as shown and described.

DESCRIPTION

FIG. 1 is a front perspective view of a handle assembly showing my new design;

FIG. 2 is a front elevational view thereof;

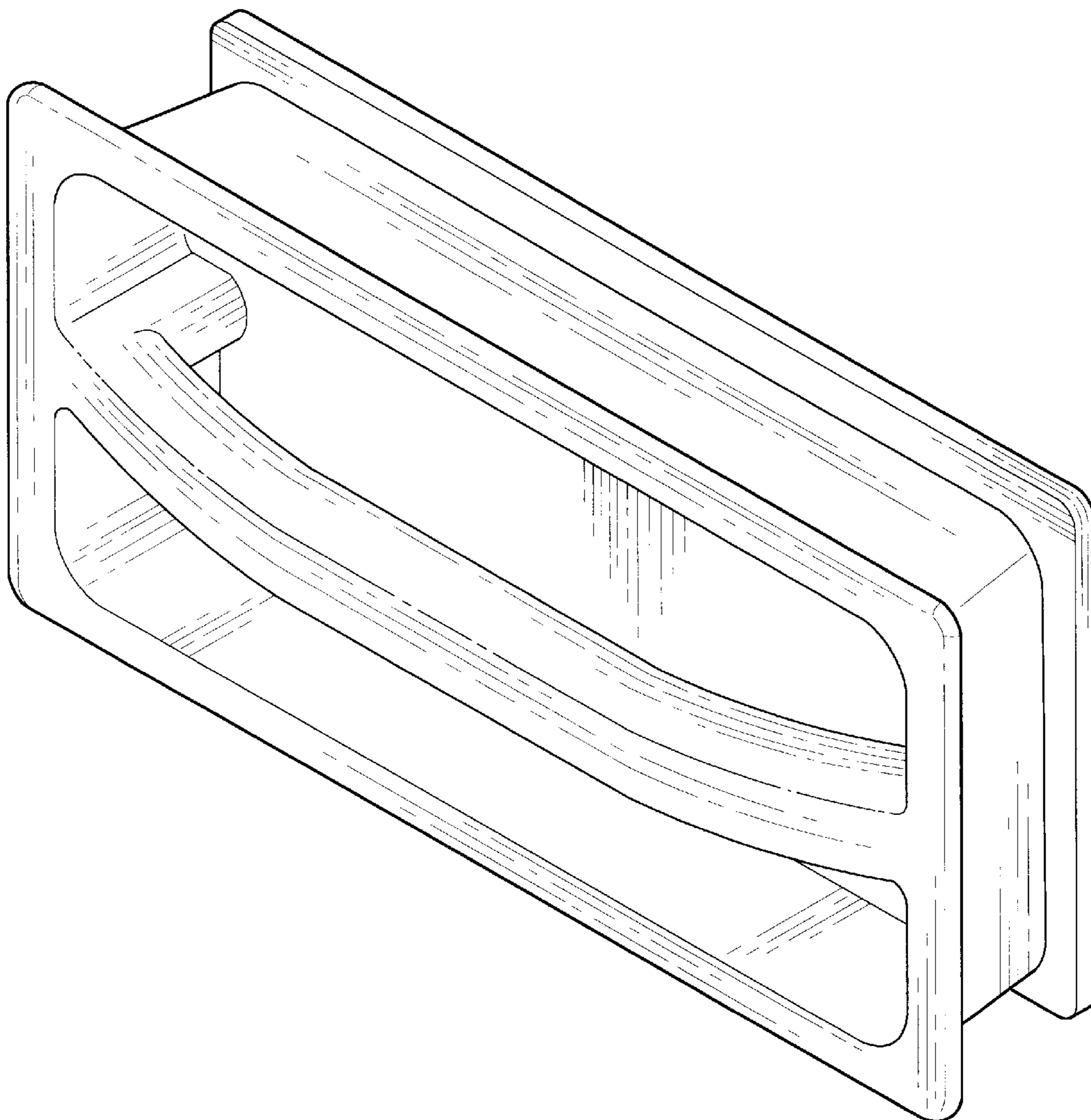
FIG. 3 is a bottom plan view thereof, the top plan view being a mirror image;

FIG. 4 is a rear elevational view thereof;

FIG. 5 is a left side elevational view thereof, the right side elevational view being a mirror image.

The broken lines are for illustrative purposes only and form no part of the claimed design.

1 Claim, 3 Drawing Sheets



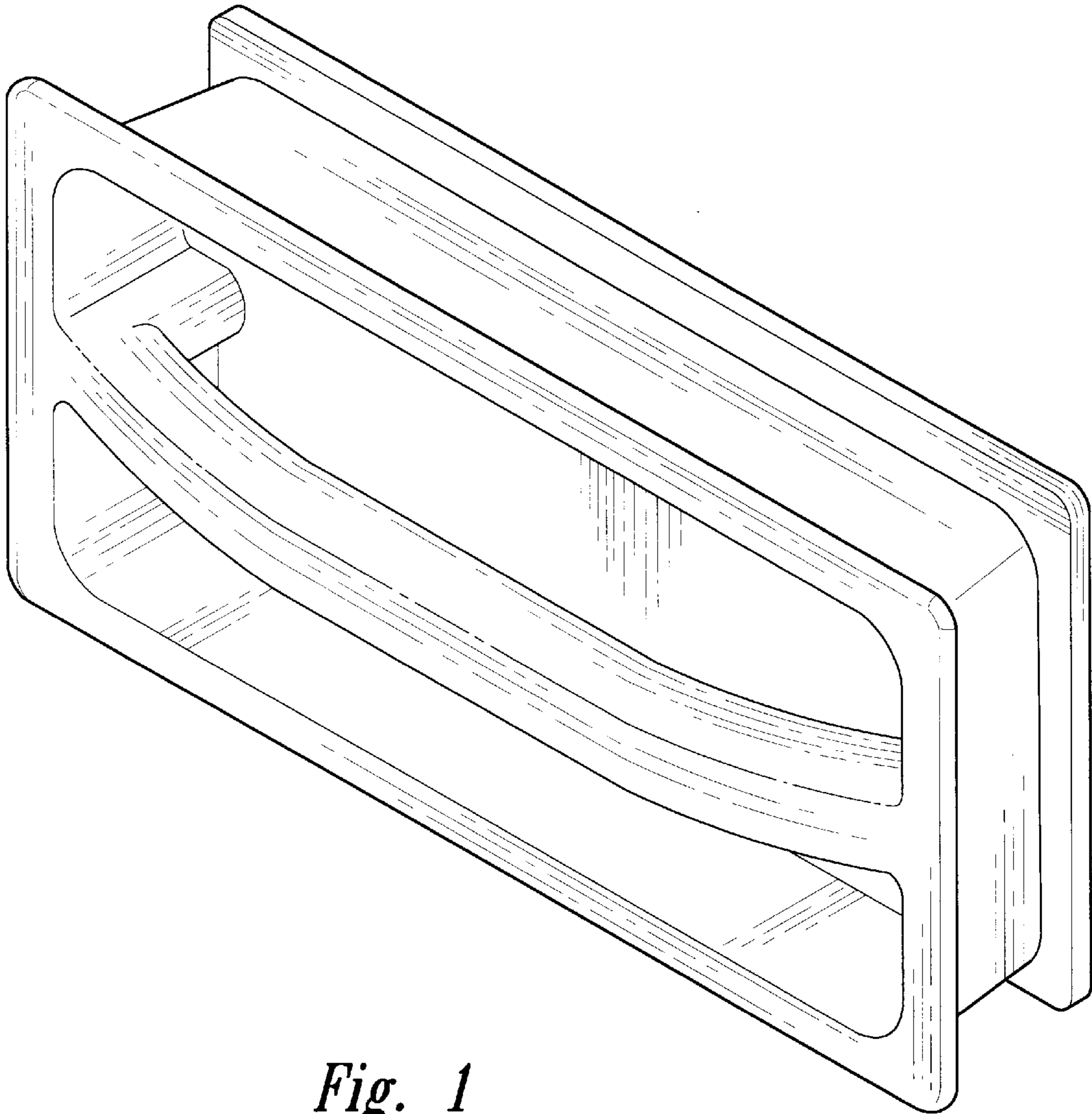


Fig. 1

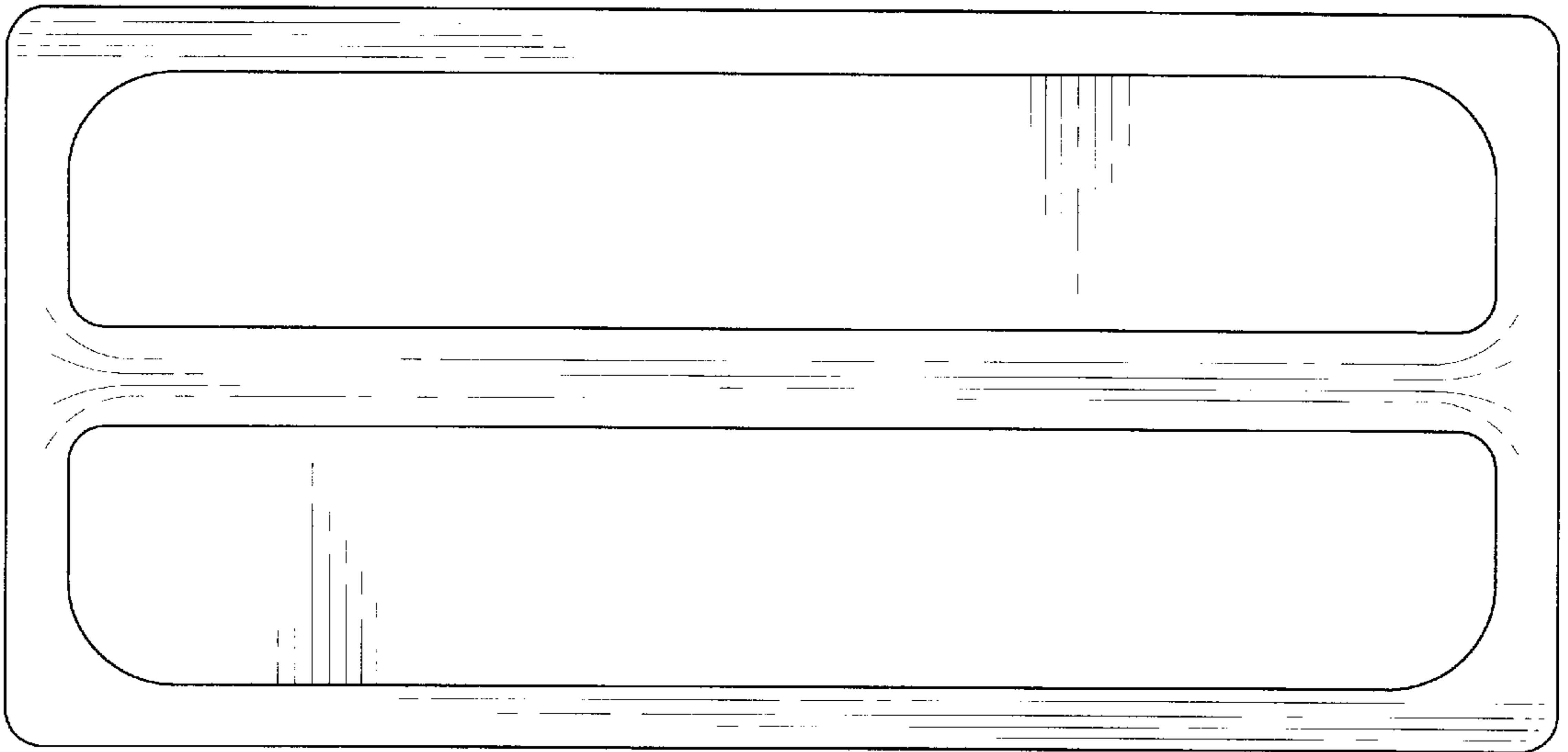


Fig. 2

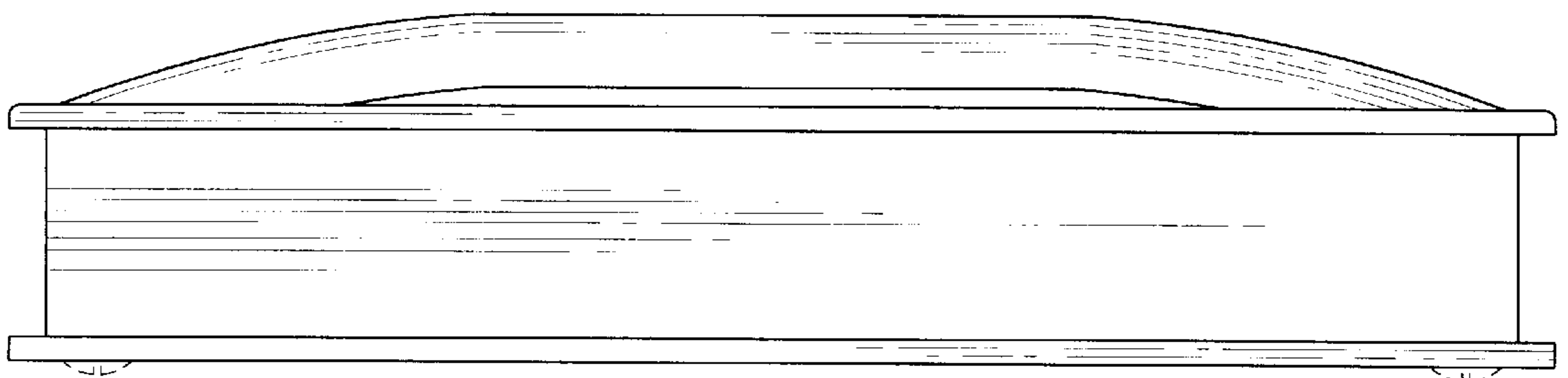


Fig. 3

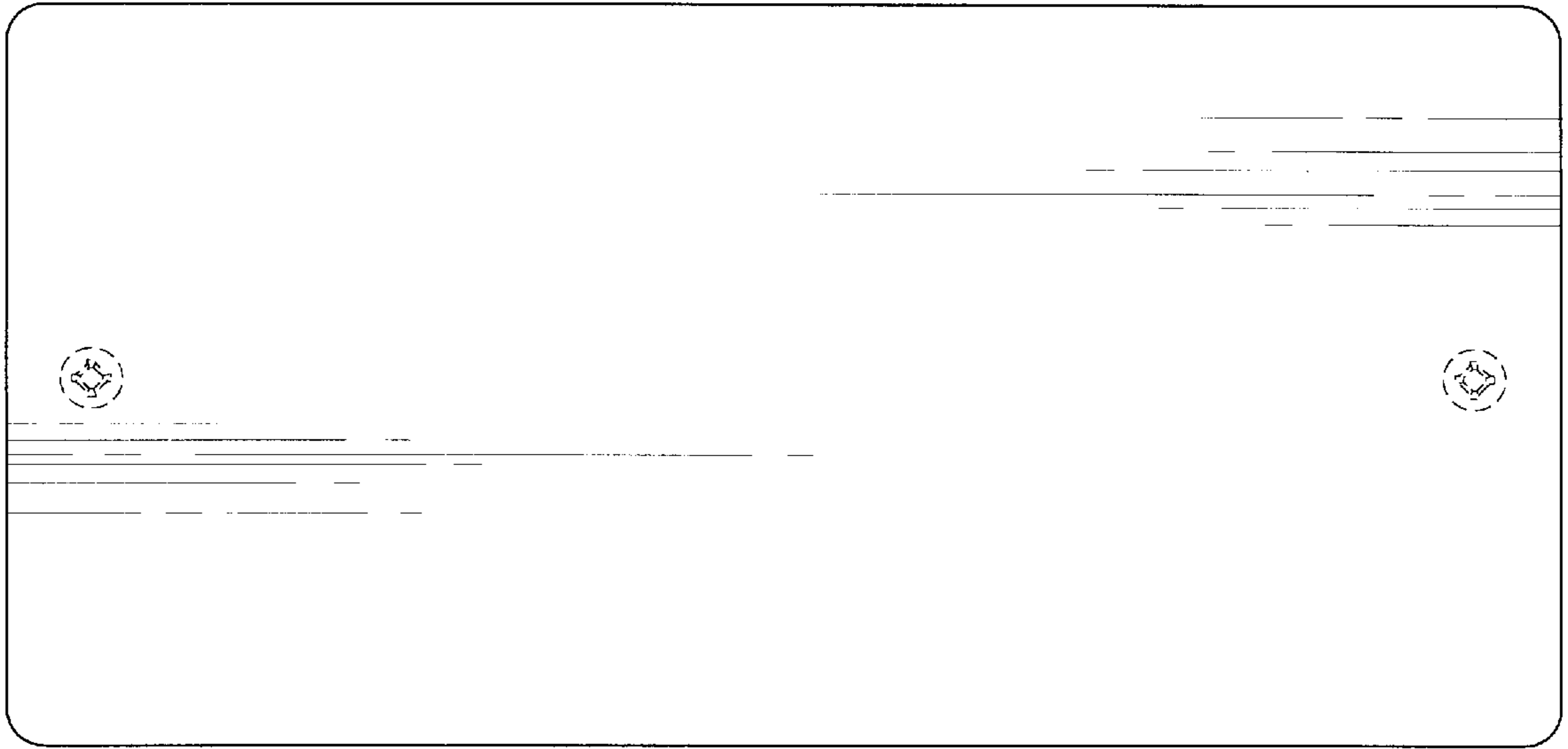


Fig. 4

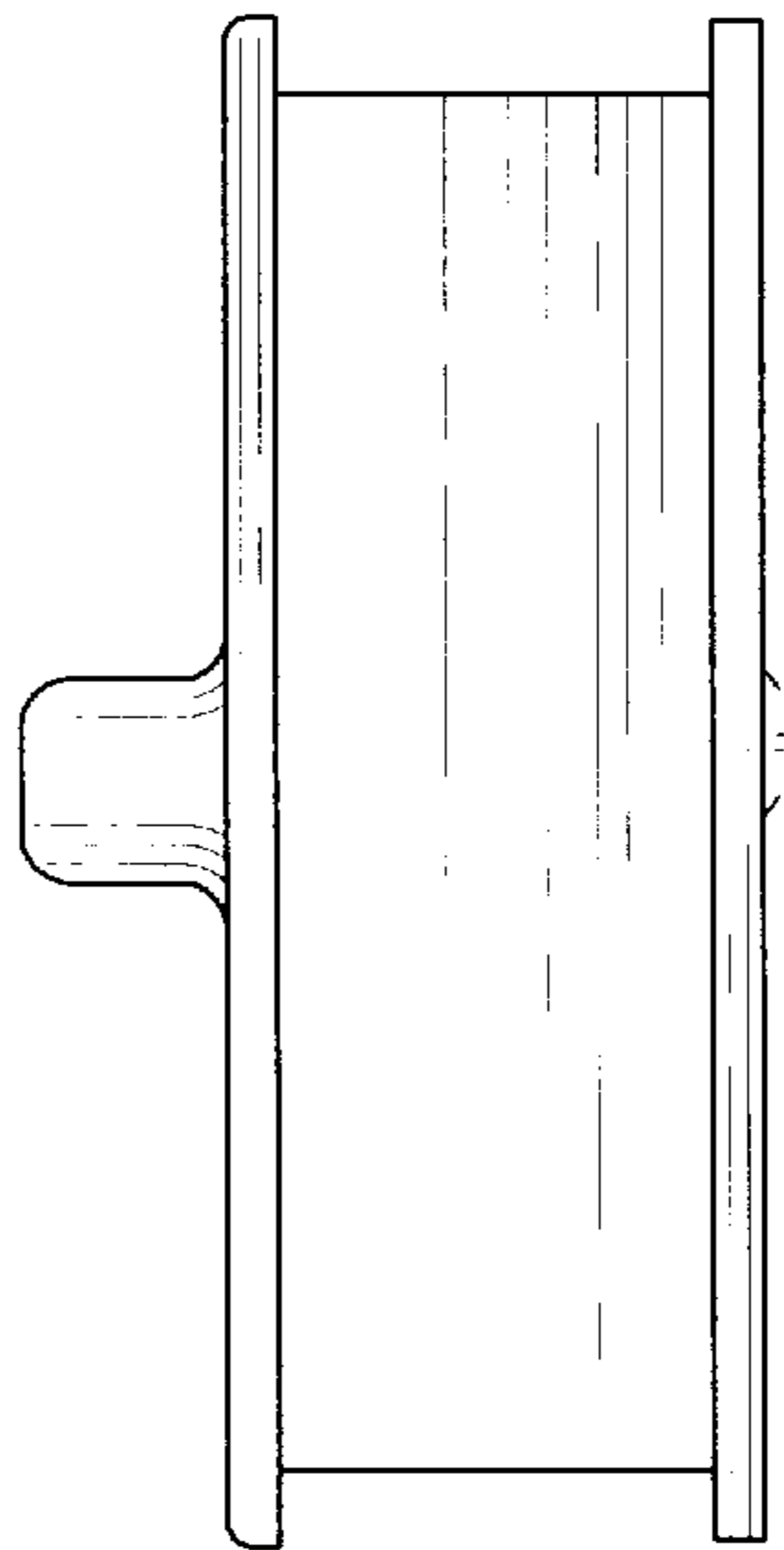


Fig. 5