



US00D402525S

# United States Patent [19]

Hsu

[11] Patent Number: **Des. 402,525**

[45] Date of Patent: **\*\*Dec. 15, 1998**

[54] **TOOL KIT**

[76] Inventor: **Cheng-Hui Hsu**, No. 126, Pad Chung Road, Hsin Tien City, Taipei, Taiwan

[\*\*] Term: **14 Years**

[21] Appl. No.: **85,042**

[22] Filed: **Mar. 16, 1998**

[51] **LOC (6) Cl.** ..... **08-03**

[52] **U.S. Cl.** ..... **D8/105; D10/62; D8/98**

[58] **Field of Search** ..... D8/98, 99, 105; D10/62; 7/119, 138, 143, 164, 163, 165; 33/332, 19.2

[56] **References Cited**

**U.S. PATENT DOCUMENTS**

- D. 133,417 8/1942 Sau Wah Ng ..... D8/98
- D. 152,193 10/1948 Duda ..... D8/98
- D. 243,117 1/1977 Green ..... D8/98 X
- D. 287,927 1/1987 Zankich ..... D8/105 X
- D. 311,124 10/1990 Learney ..... D8/105

- D. 372,183 7/1996 Bourque ..... D8/98
- D. 394,793 6/1998 Ma ..... D8/105
- 4,438,538 3/1984 Larsen ..... 7/164
- 4,884,307 12/1989 Flood ..... 7/163 X

*Primary Examiner*—Martie K. Holtje  
*Attorney, Agent, or Firm*—Rosenberg, Klein & Bilker

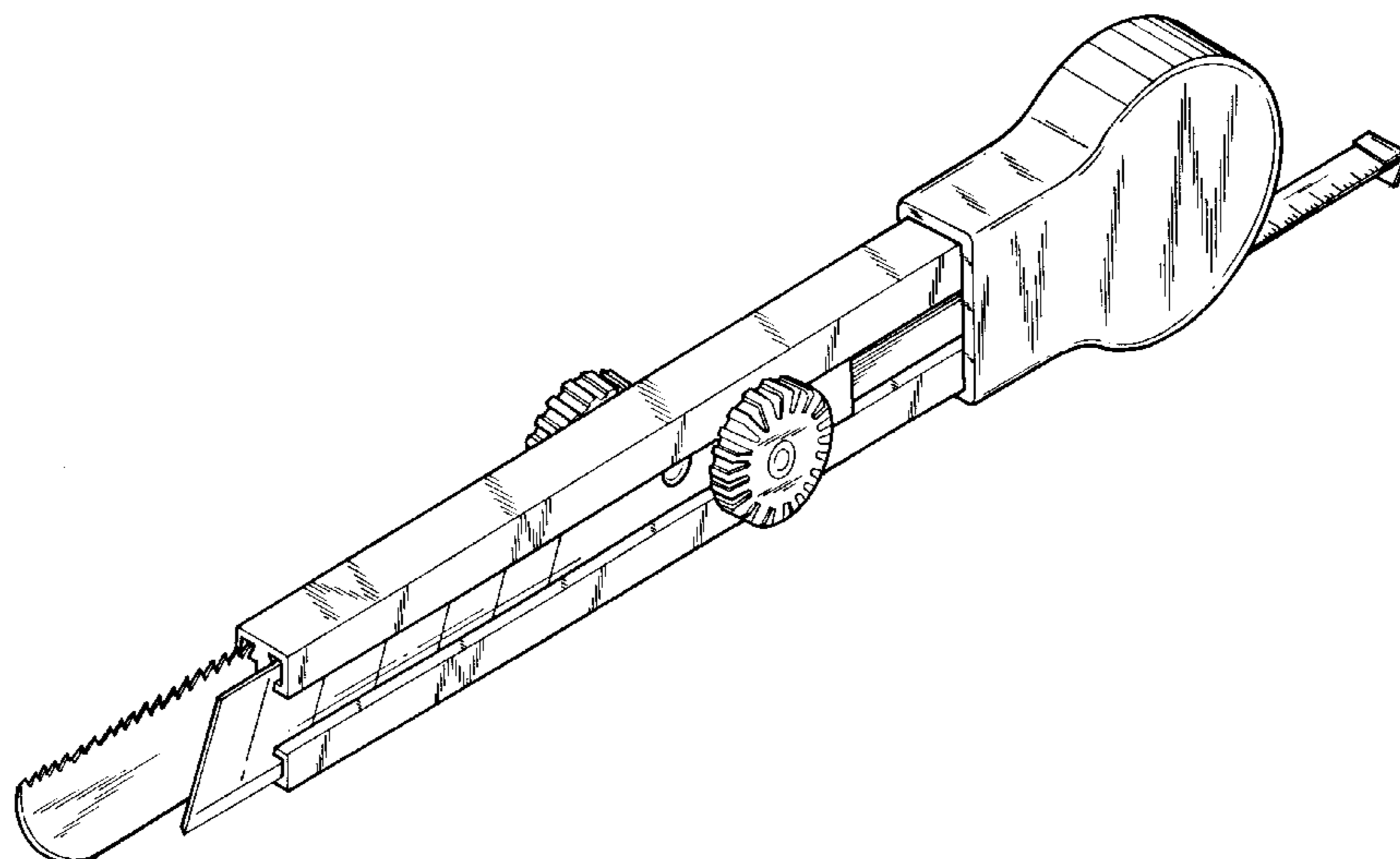
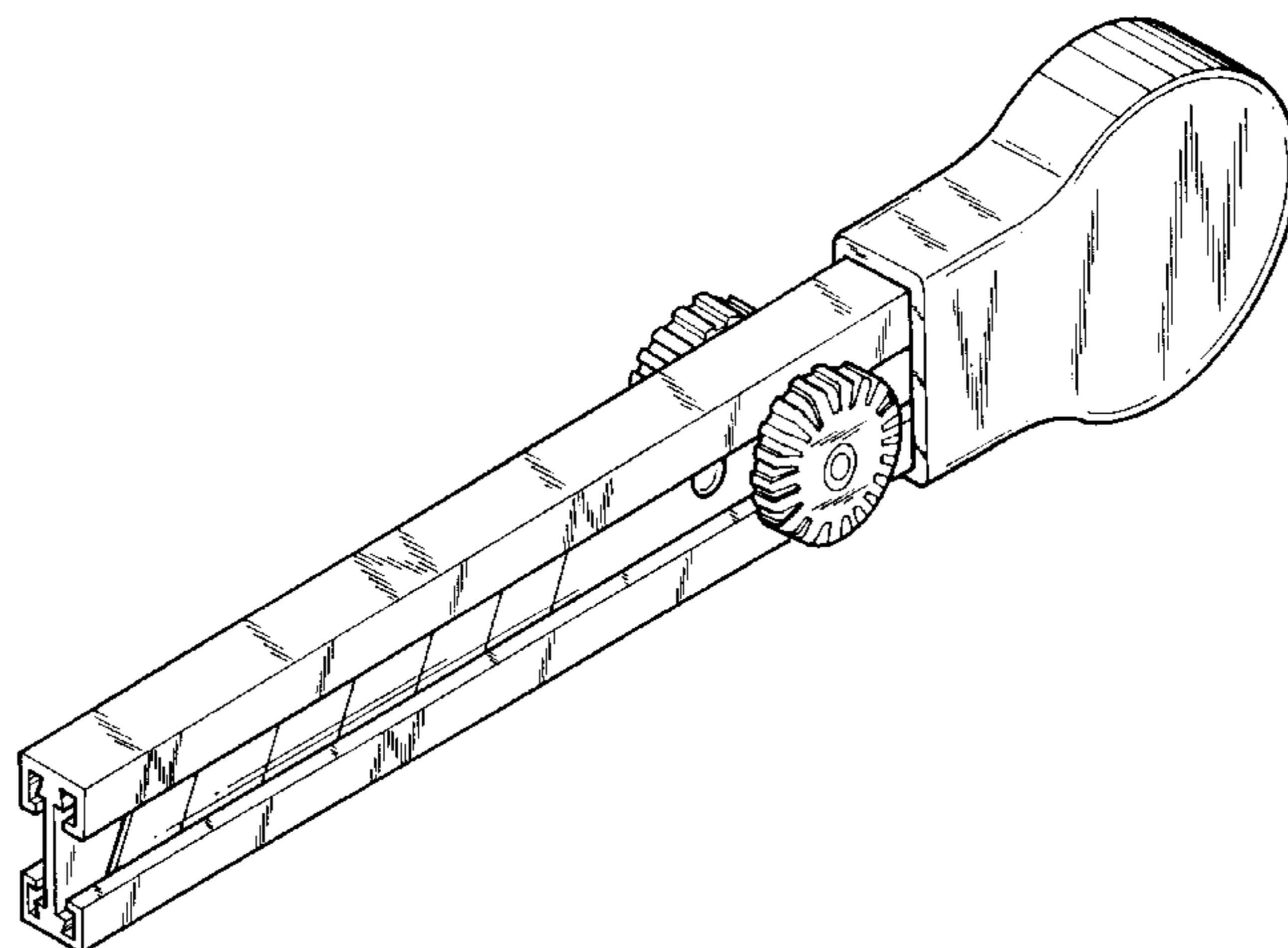
[57] **CLAIM**

The ornamental design for tool kit, as shown and described.

**DESCRIPTION**

FIG. 1 is a perspective view of a tool kit showing my new design;  
 FIG. 2 is a front elevational view thereof;  
 FIG. 3 is a rear elevational view thereof;  
 FIG. 4 is a left side elevational view thereof;  
 FIG. 5 is a right side elevational view thereof;  
 FIG. 6 is a top plan view thereof;  
 FIG. 7 is a bottom plan view thereof; and,  
 FIG. 8 is a perspective view with the measuring tape, cutting blade and saw in extended positions.

**1 Claim, 6 Drawing Sheets**



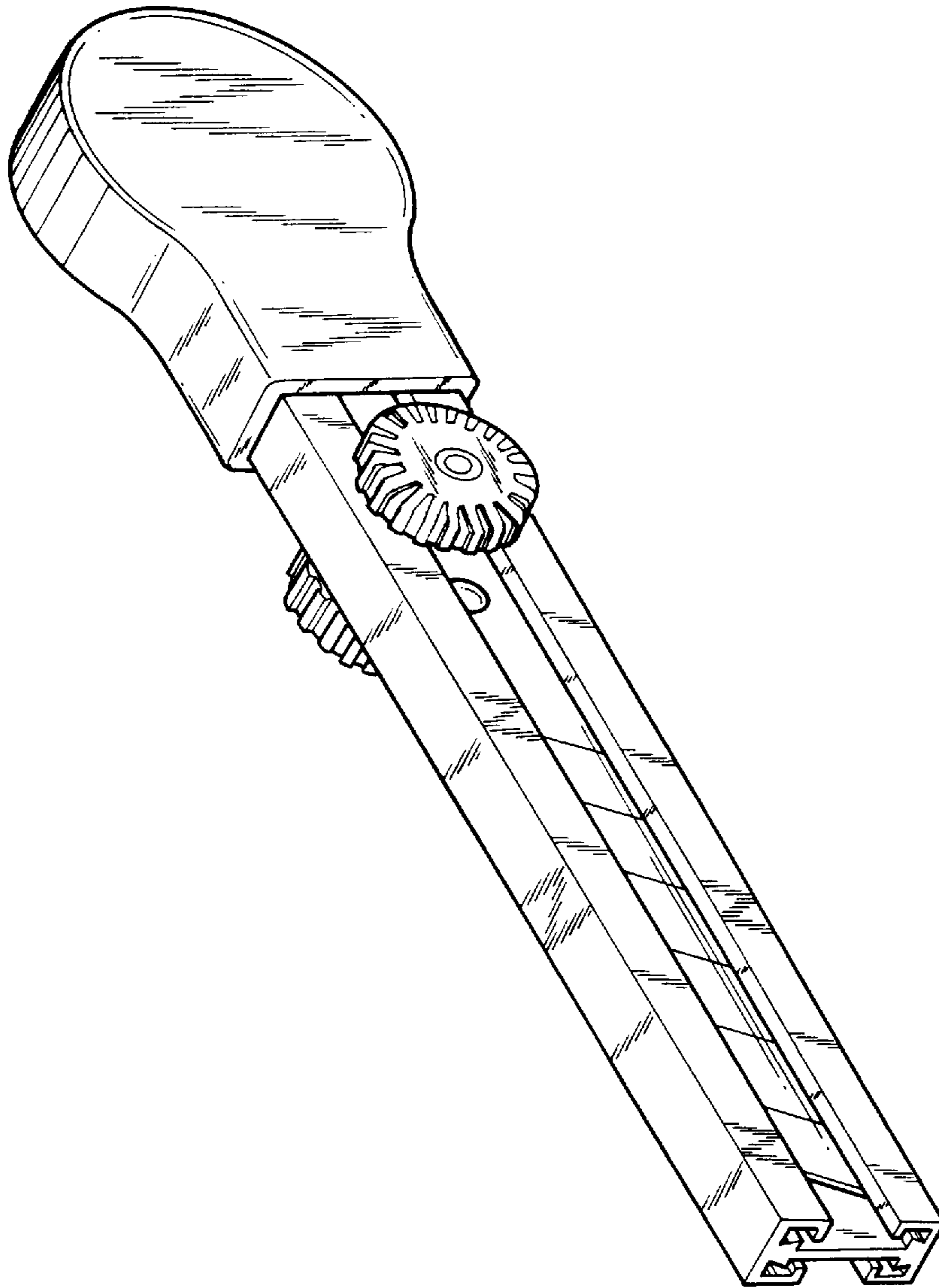


FIG. 1

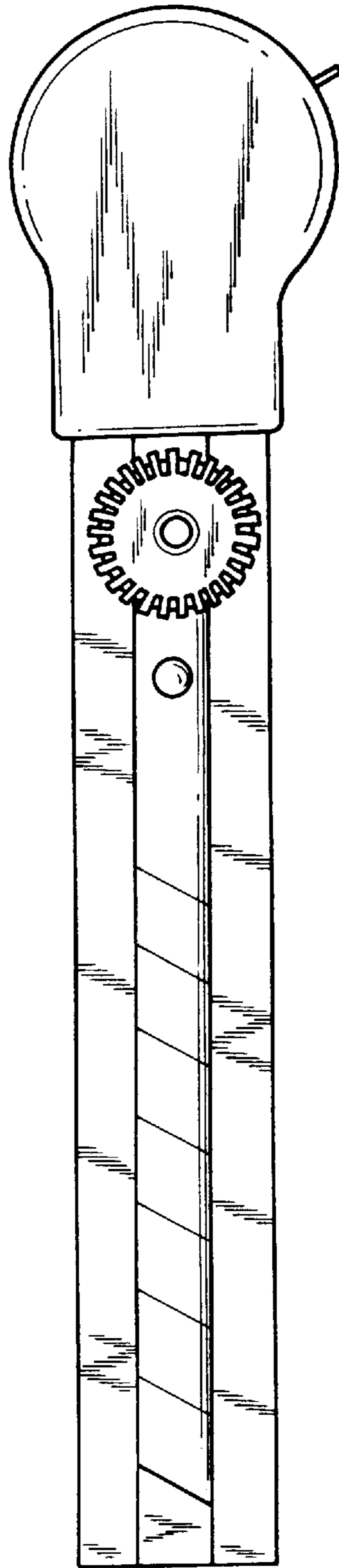


FIG. 2

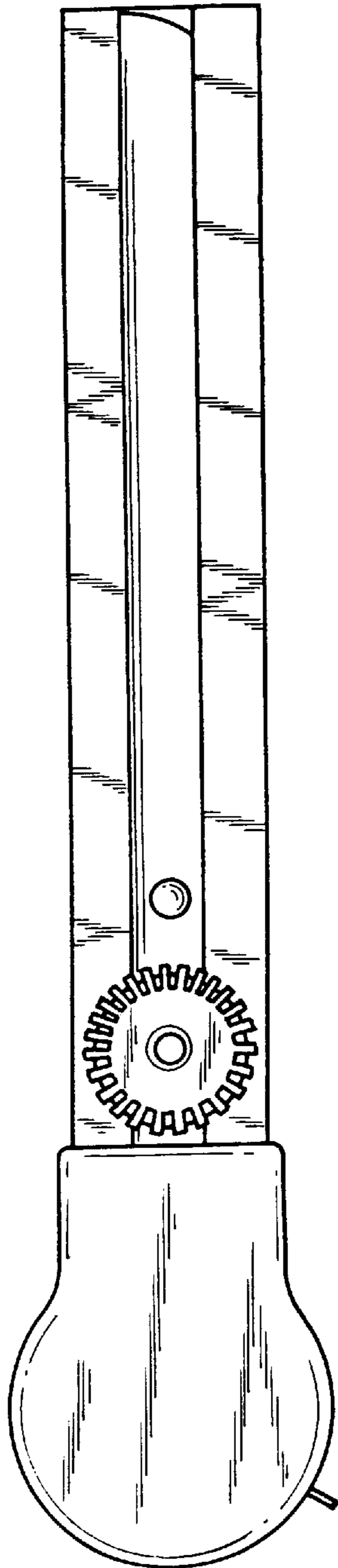


FIG. 3

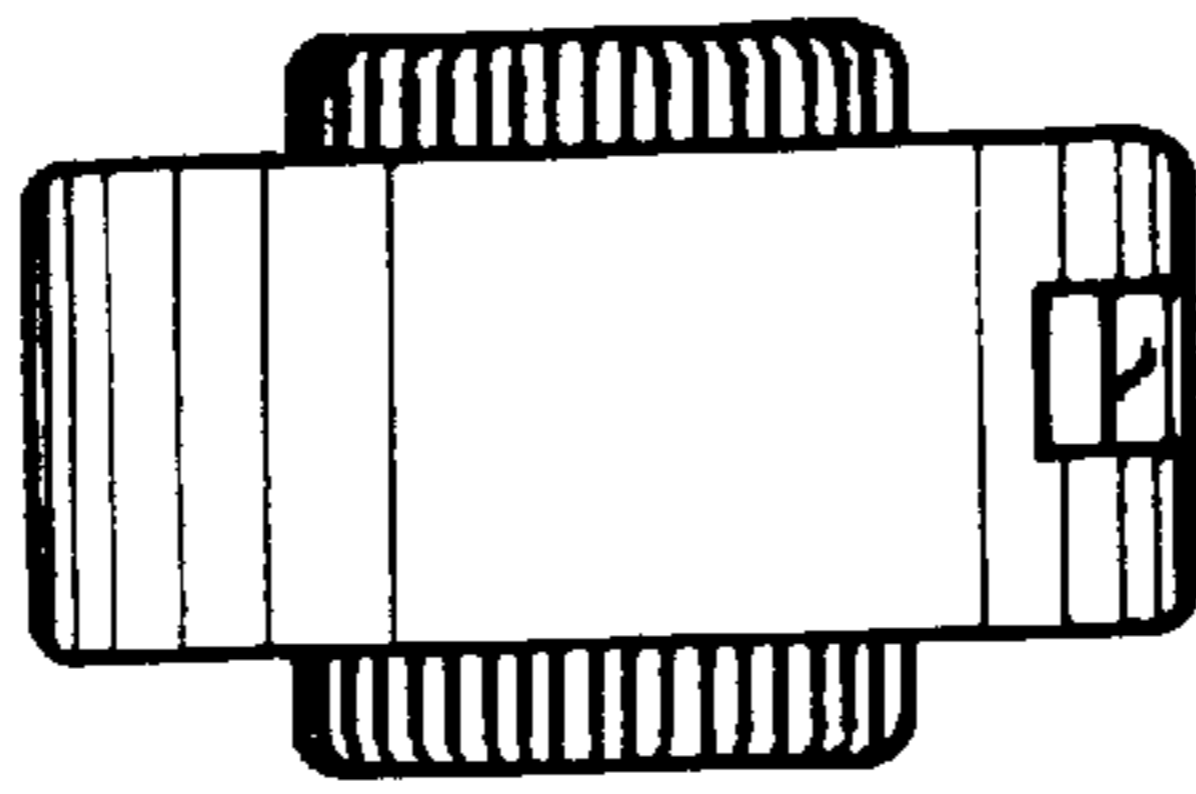


FIG. 5

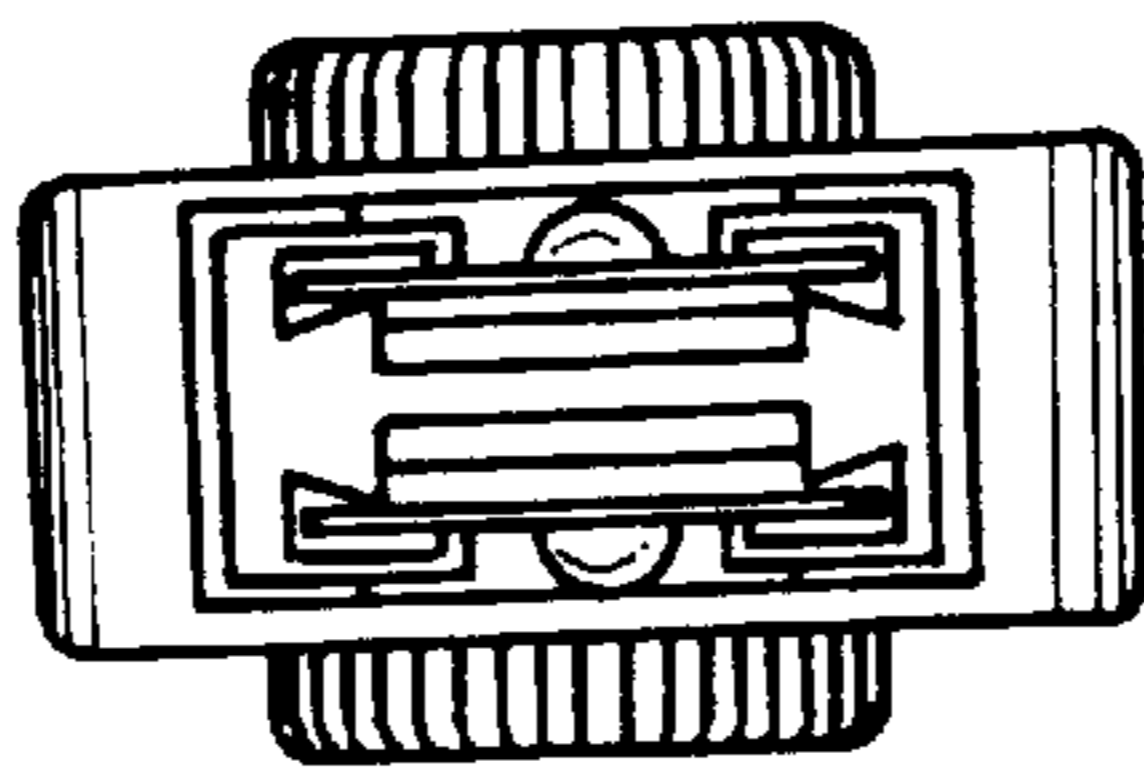


FIG. 4

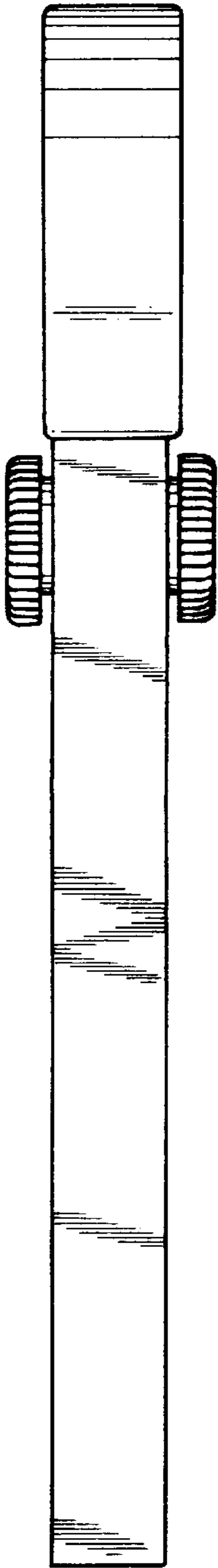


FIG. 6

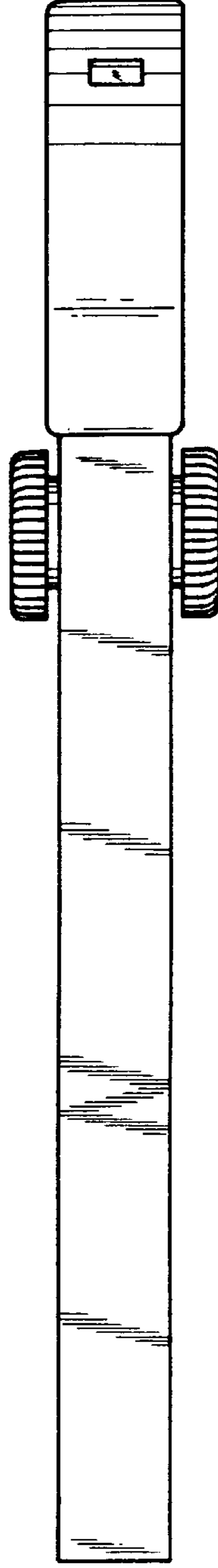


FIG. 7

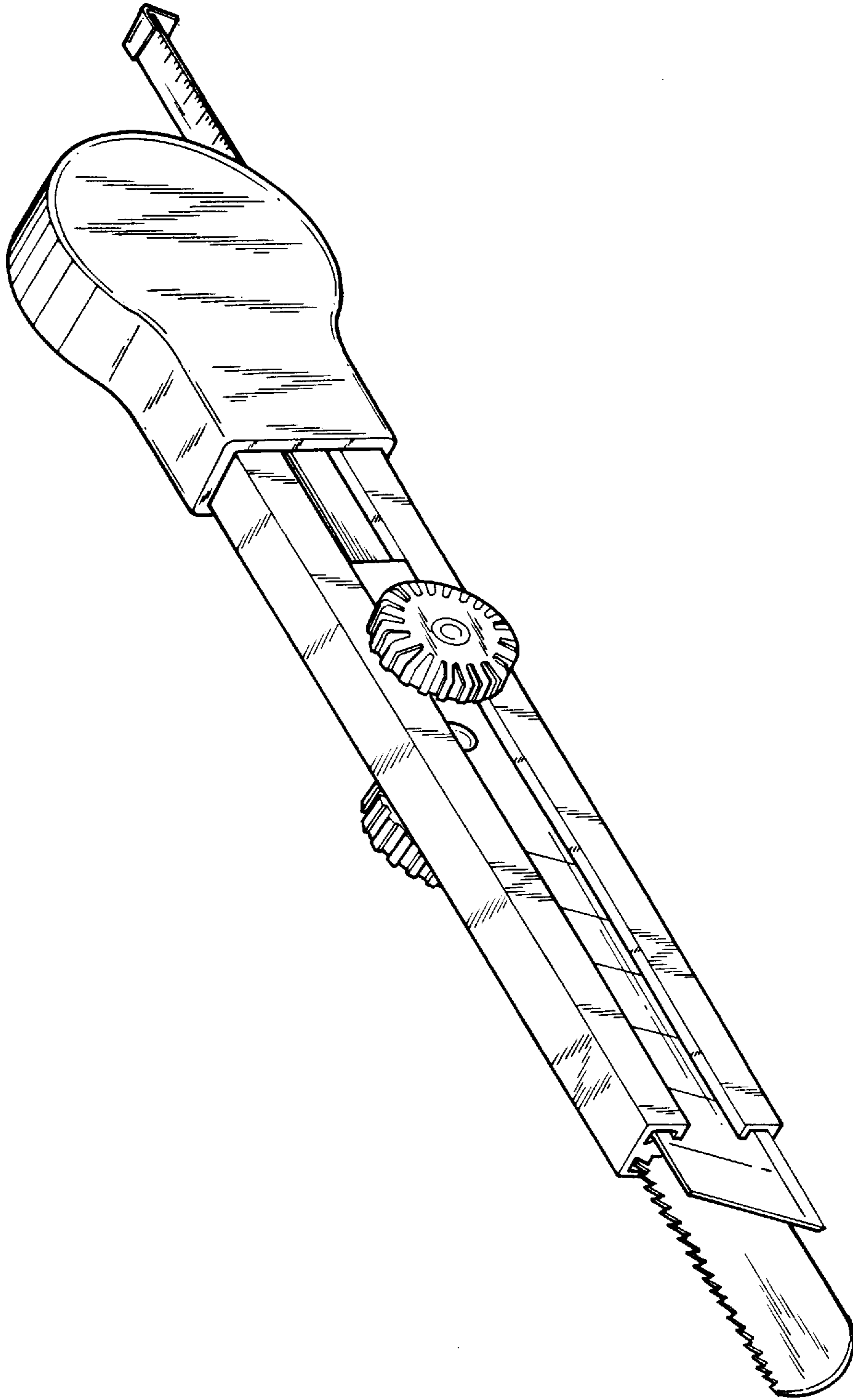


FIG. 8