

US00D402521S

United States Patent [19] Riegel

[11] **Patent Number: Des. 402,521**

[45] **Date of Patent: **Dec. 15, 1998**

[54] **NARROW PROFILE HAMMER**

2,884,816 5/1959 Lay .

[76] Inventor: **Ronald G. Riegel**, 2120 Northglen Dr.,
Clovis, N. Mex. 88101-9356

FOREIGN PATENT DOCUMENTS

79336 9/1932 Germany .

[**] Term: **14 Years**

Primary Examiner—Philip S. Hyder
Attorney, Agent, or Firm—Dennis H. Lambert

[21] Appl. No.: **80,777**

[57] **CLAIM**

[22] Filed: **Dec. 18, 1997**

I claim the ornamental design for a narrow profile hammer,
as shown and described.

[51] **LOC (6) Cl.** **08-02**

[52] **U.S. Cl.** **D8/77**

[58] **Field of Search** D8/75, 76, 77,
D8/78, 79, 105; 81/19, 20, 21, 22, 23, 24

DESCRIPTION

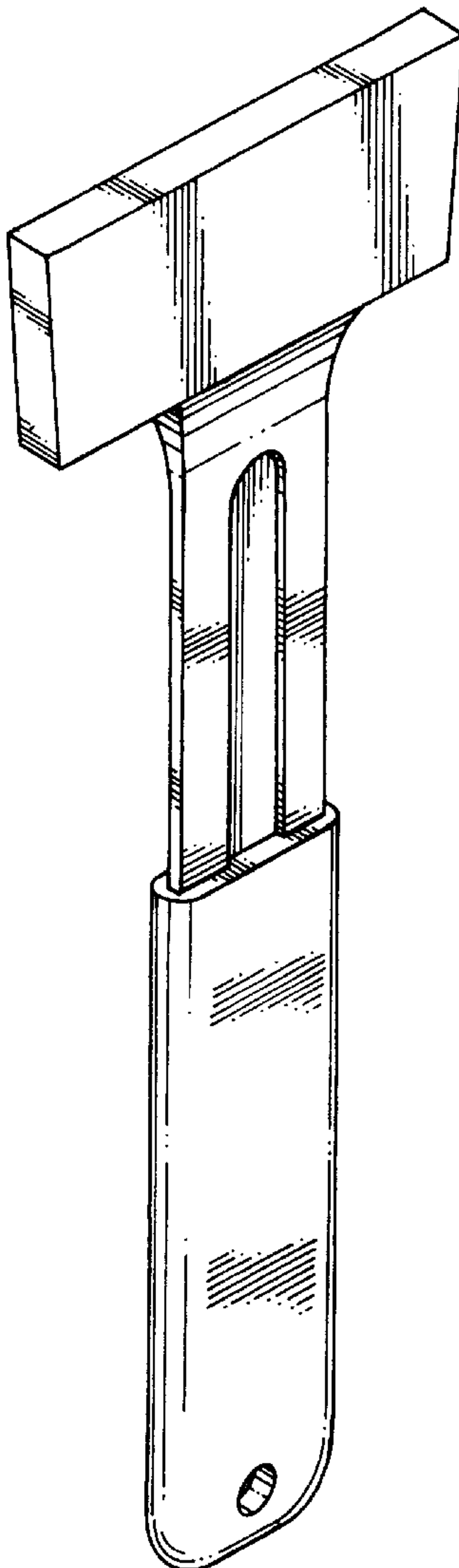
FIG. 1 is a top perspective view of the narrow profile hammer embodying the design of the present invention; FIG. 2 is a front elevational view thereof, the side opposite being a mirror image of the side shown in FIG. 2; FIG. 3 is a side elevational view thereof, the side opposite being a mirror image of the side shown in FIG. 3; FIG. 4 is a top plan view thereof; and, FIG. 5 is a bottom plan view thereof.

[56] **References Cited**

U.S. PATENT DOCUMENTS

| | | | | |
|------------|--------|--------------|-------|--------|
| D. 194,690 | 2/1963 | Cervenka | | D8/77 |
| D. 299,414 | 1/1989 | Bajza et al. | | D8/105 |
| D. 301,679 | 6/1989 | Kokkinos | | D8/75 |
| D. 329,366 | 9/1992 | Ragoonath | | D8/76 |
| 752,454 | 2/1904 | Hovland | . | |
| 1,598,279 | 8/1926 | Hobbs | . | |

1 Claim, 3 Drawing Sheets



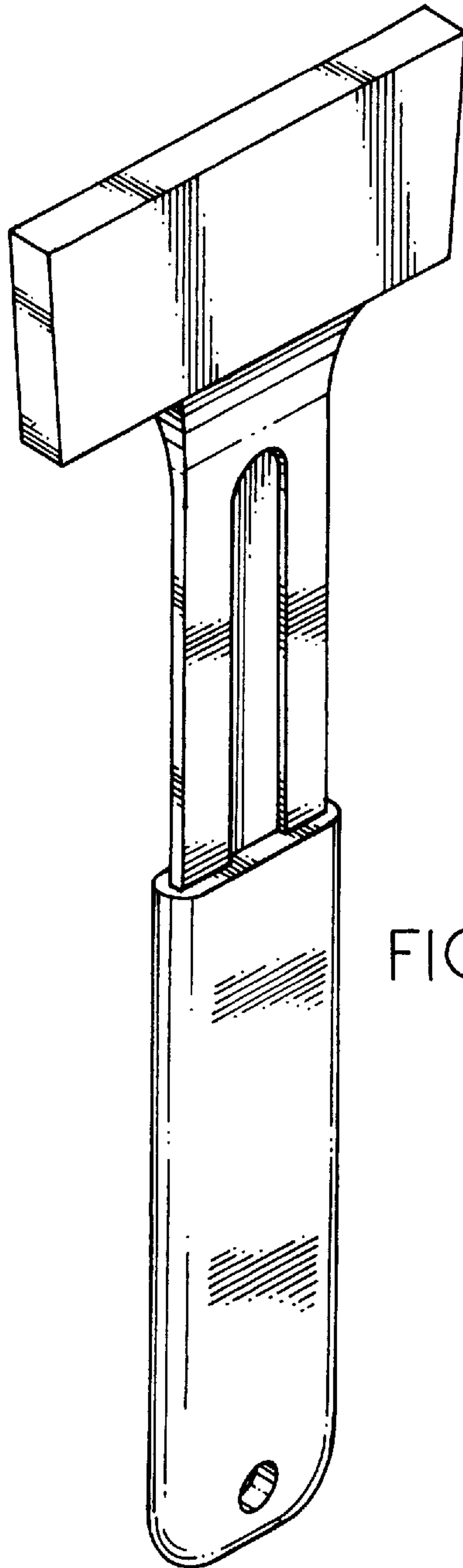


FIG. 1.

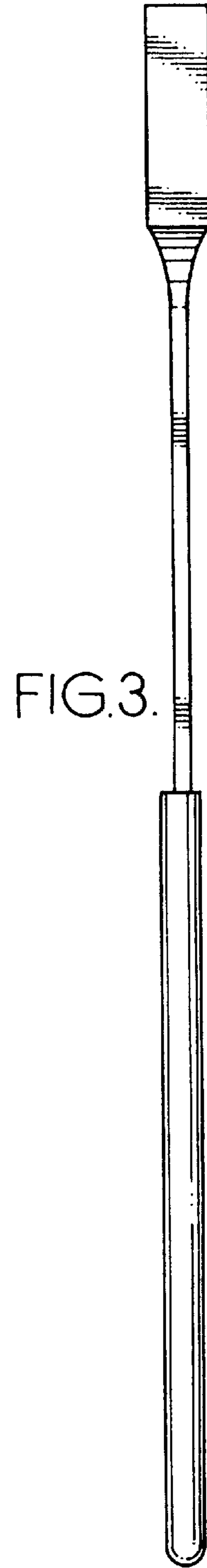
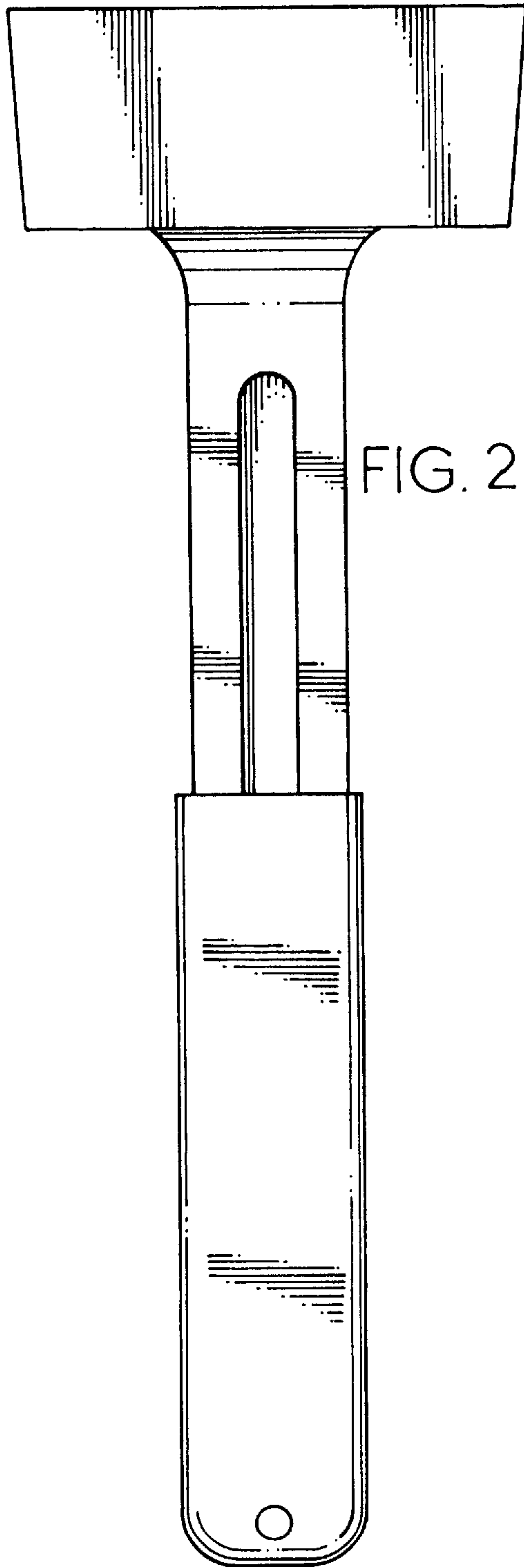


FIG. 4.



FIG. 5.

