



US00D402520S

# United States Patent [19]

Warner et al.

[11] **Patent Number: Des. 402,520**

[45] **Date of Patent: \*\*Dec. 15, 1998**

[54] **PNEUMATIC FASTENER DRIVING TOOL**

5,727,726 3/1998 Lin ..... 227/120 X

[75] Inventors: **Jim F. Warner**, Hoboken; **Robert J. Croft**, Jersey City, both of N.J.

*Primary Examiner*—Antoine Duval Davis  
*Attorney, Agent, or Firm*—Jerrold J. Litzinger

[73] Assignee: **Senco Products, Inc.**, Cincinnati, Ohio

[57] **CLAIM**

[\*\*] Term: **14 Years**

The ornamental design for a pneumatic fastener driving tool, as shown and described.

[21] Appl. No.: **74,840**

**DESCRIPTION**

[22] Filed: **Aug. 8, 1997**

FIG. 1 is a perspective view of a pneumatic fastener driving tool showing our new design, looking at the top, front, and left side;

[51] **LOC (6) Cl.** ..... **08-02**

[52] **U.S. Cl.** ..... **D8/69**

FIG. 2 is a left side elevational view thereof;

[58] **Field of Search** ..... D8/61, 69, 68;  
227/8, 10, 120, 130

FIG. 3 is a top plan view thereof;

FIG. 4 is a bottom plan view thereof;

FIG. 5 is a front elevational view thereof; and,

FIG. 6 is a rear elevational view thereof; and,

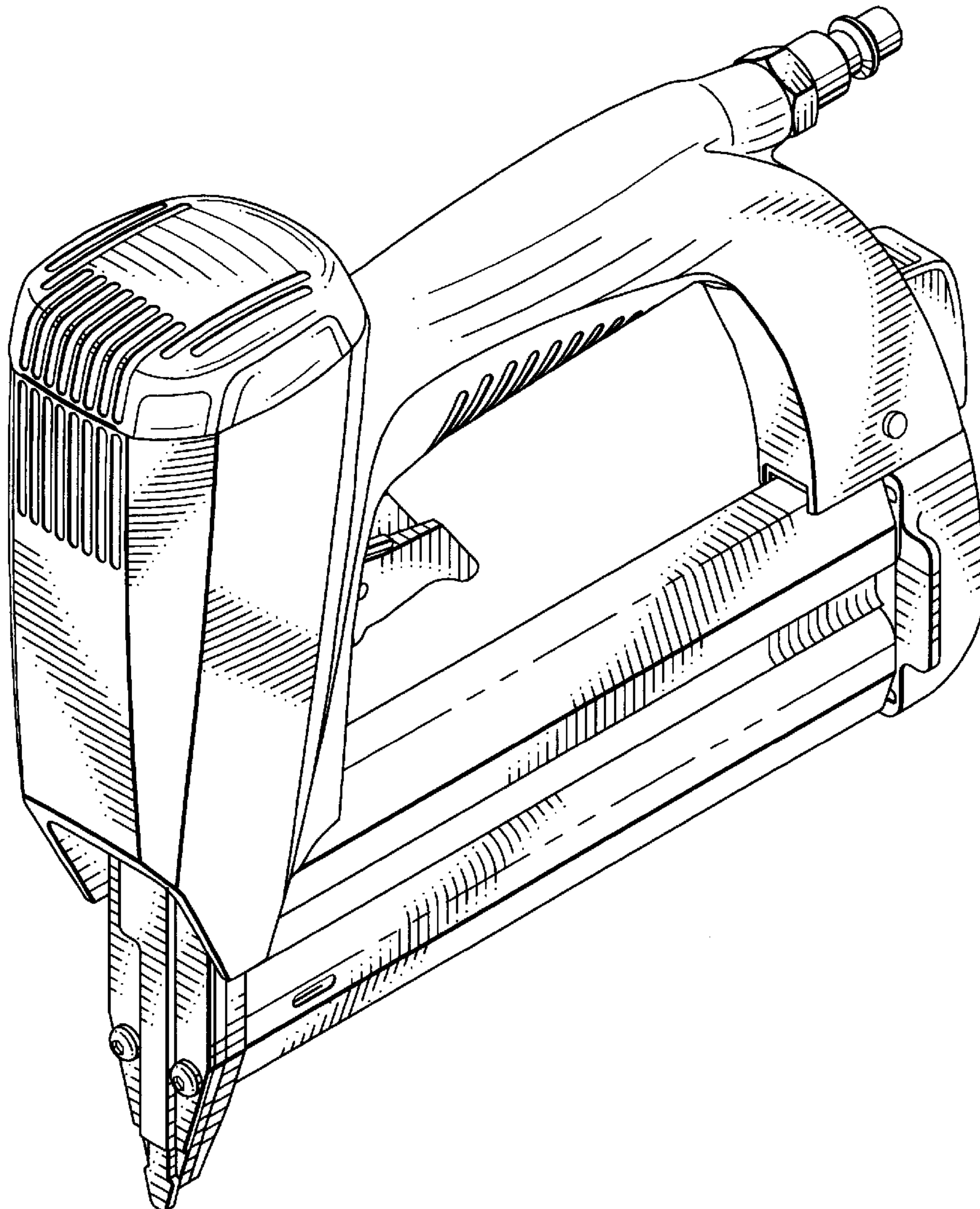
FIG. 7 is a right side elevational view thereof.

[56] **References Cited**

**U.S. PATENT DOCUMENTS**

D. 365,974 1/1996 Matuschek ..... D8/69  
5,588,577 12/1996 Chen ..... 227/120

**1 Claim, 5 Drawing Sheets**



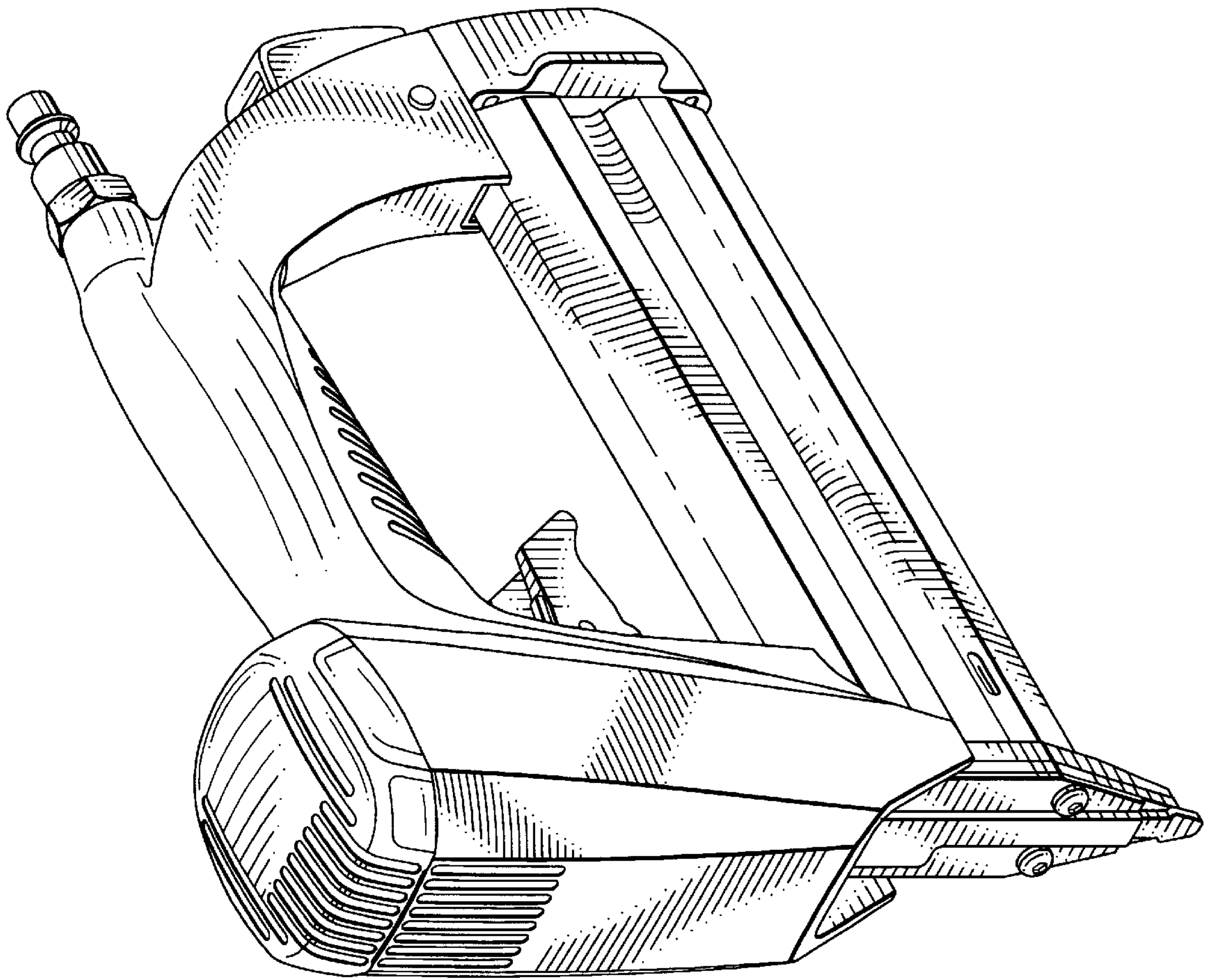


FIG. 1

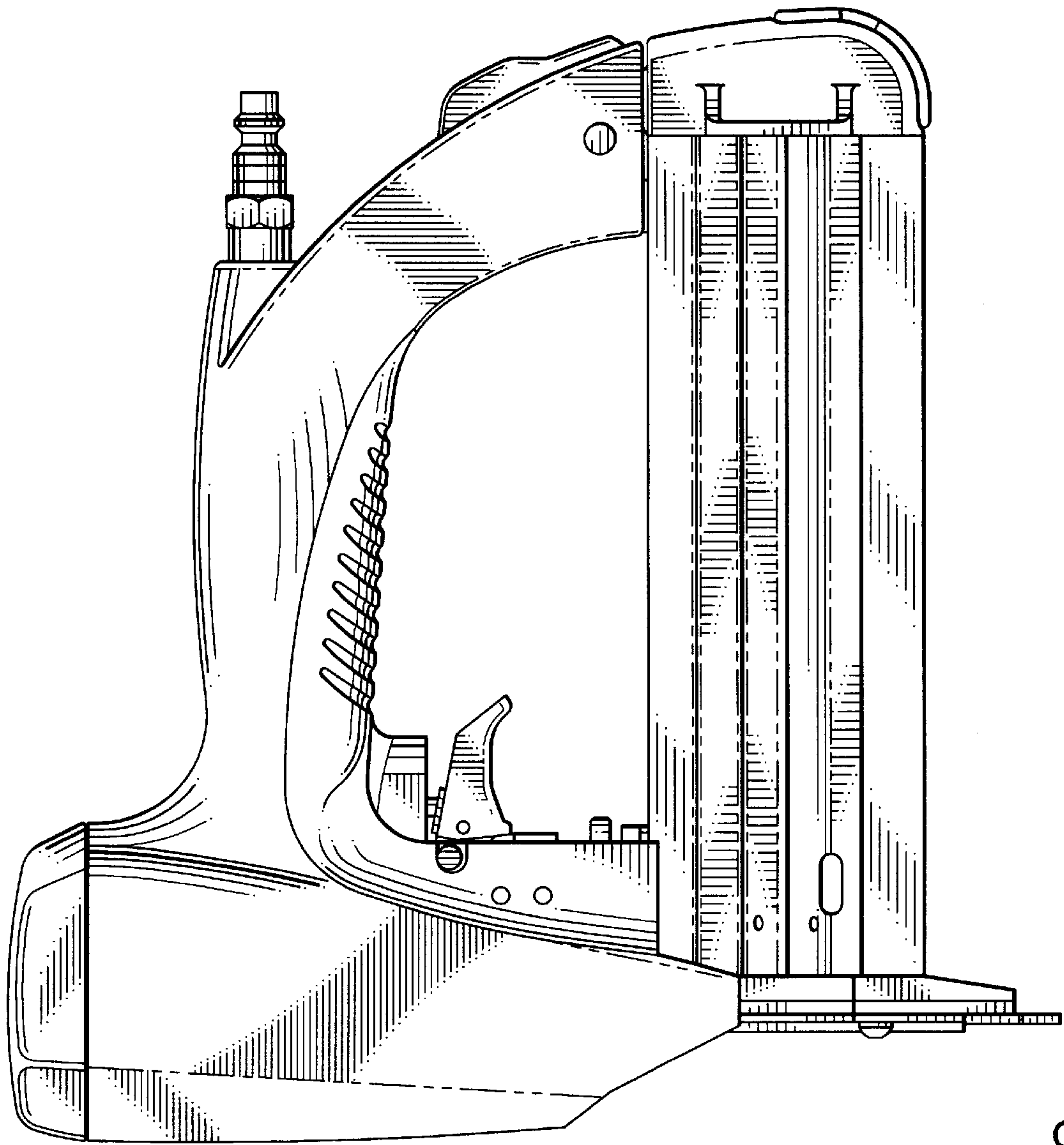


FIG. 2

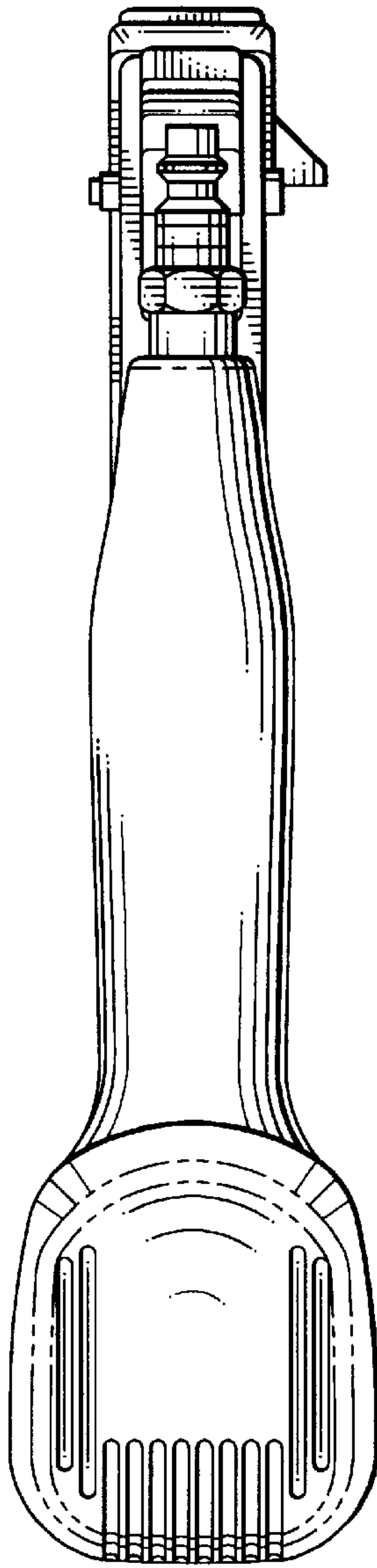


FIG. 3

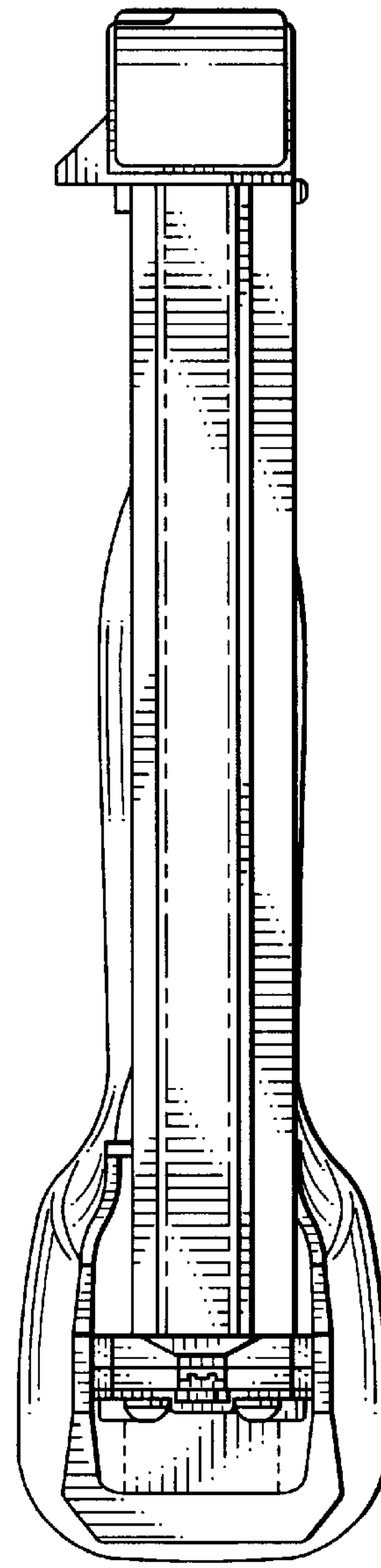


FIG. 4



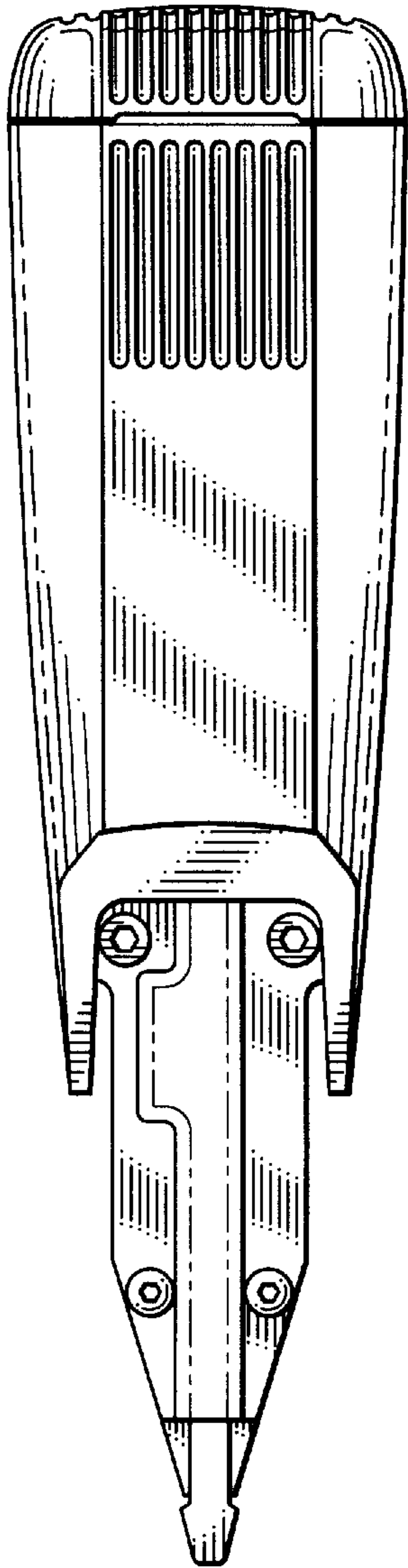


FIG. 5

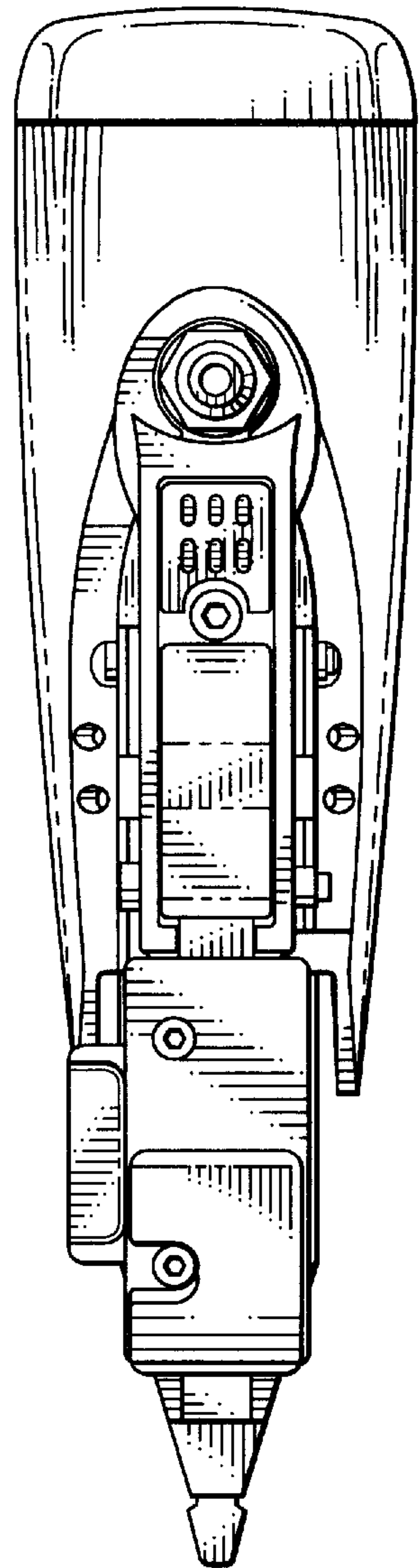


FIG. 6

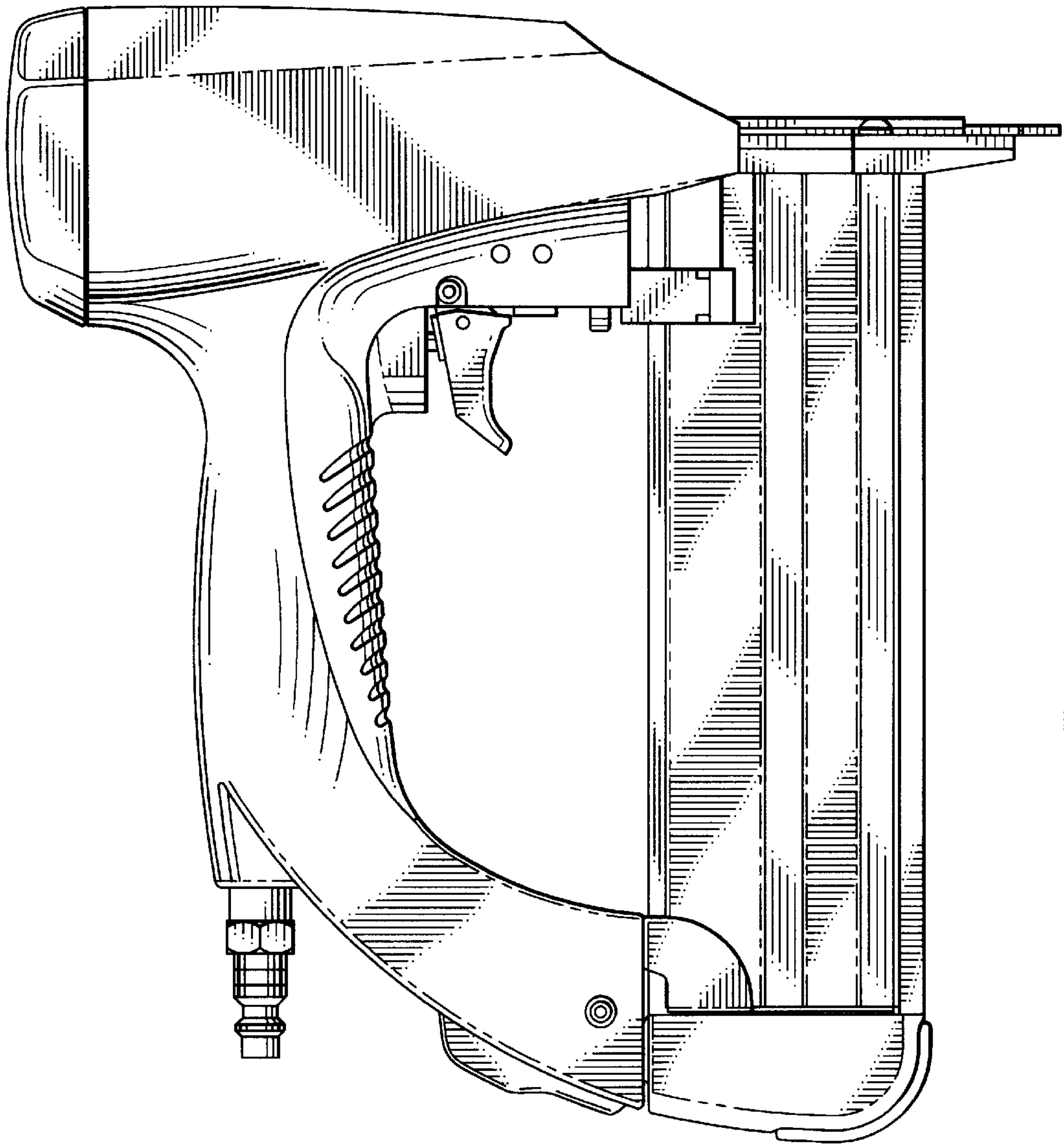


FIG. 7