



US00D402518S

United States Patent [19]
Lee

[11] **Patent Number: Des. 402,518**

[45] **Date of Patent: **Dec. 15, 1998**

[54] **GLUE GUN**

D. 307,379 4/1990 Knispel D8/14.1
D. 316,019 4/1991 Belanger D8/30
D. 316,215 4/1991 Belanger D8/30

[75] Inventor: **Grace Lee, Chi Yi Hsien, Taiwan**

[73] Assignee: **Homease Industrial Co., Ltd., Chi Yi Hsien, Taiwan**

Primary Examiner—Terry A. Wallace
Attorney, Agent, or Firm—Larson & Taylor

[**] Term: **14 Years**

[57] **CLAIM**

[21] Appl. No.: **85,298**

The ornamental design for a glue gun, as shown.

[22] Filed: **Sep. 3, 1997**

DESCRIPTION

[51] **LOC (6) Cl.** **08-05**

FIG. 1 is a perspective view of the glue gun showing my new design;

[52] **U.S. Cl.** **D8/30; D8/14.1**

FIG. 2 is a top plan view thereof;

[58] **Field of Search** D8/14.1, 29.2,
D8/30, 61, 68; 219/227, 229, 242, 259;
222/146.1, 327, 391

FIG. 3 is a front elevational view thereof;

FIG. 4 is a left side elevational view thereof;

FIG. 5 is a right side elevational view thereof;

FIG. 6 is a rear elevational view thereof; and,

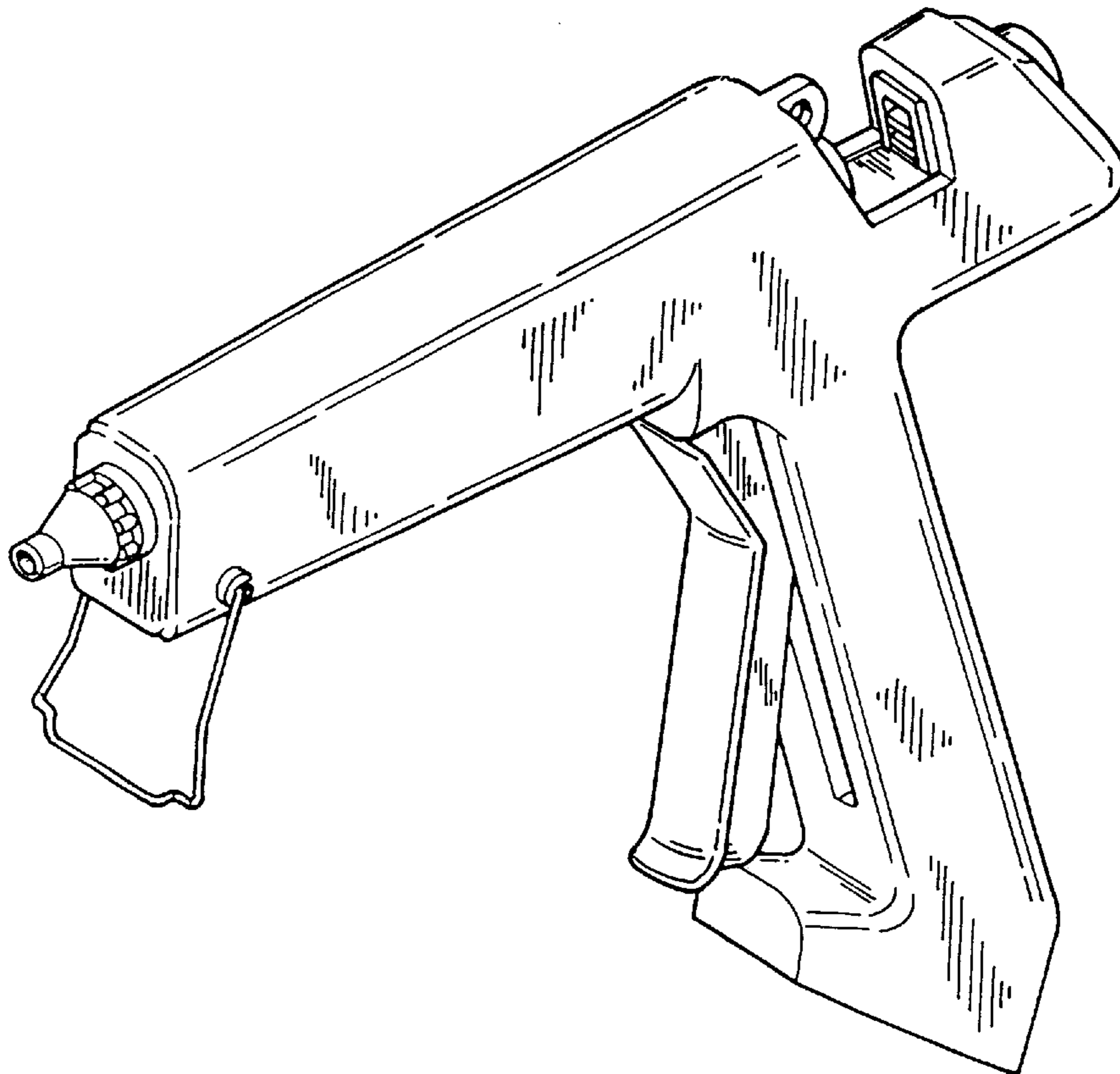
FIG. 7 is a bottom plan view thereof.

[56] **References Cited**

U.S. PATENT DOCUMENTS

D. 303,612 9/1989 Knispel D8/14.1

1 Claim, 3 Drawing Sheets



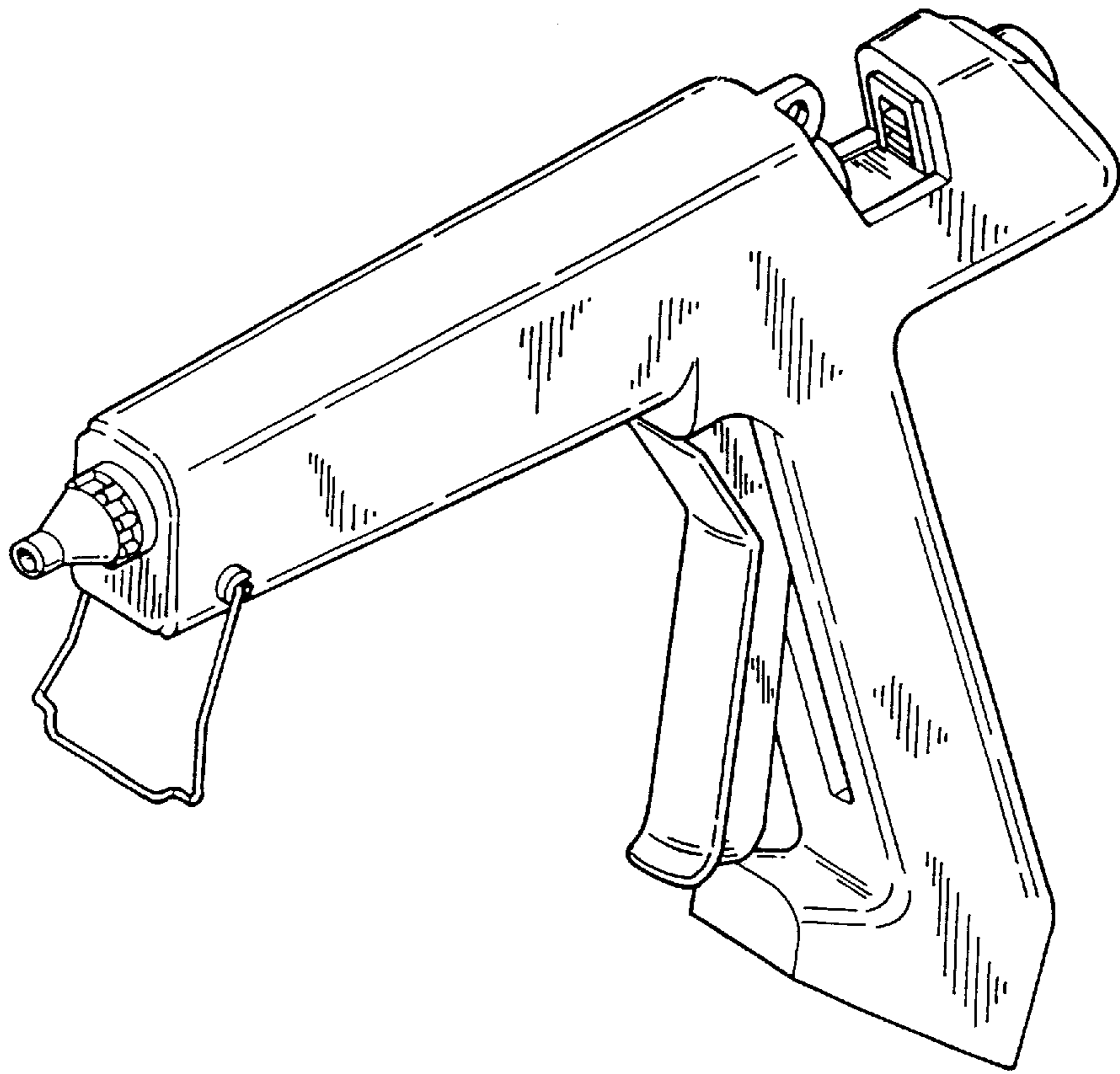


FIG. 1

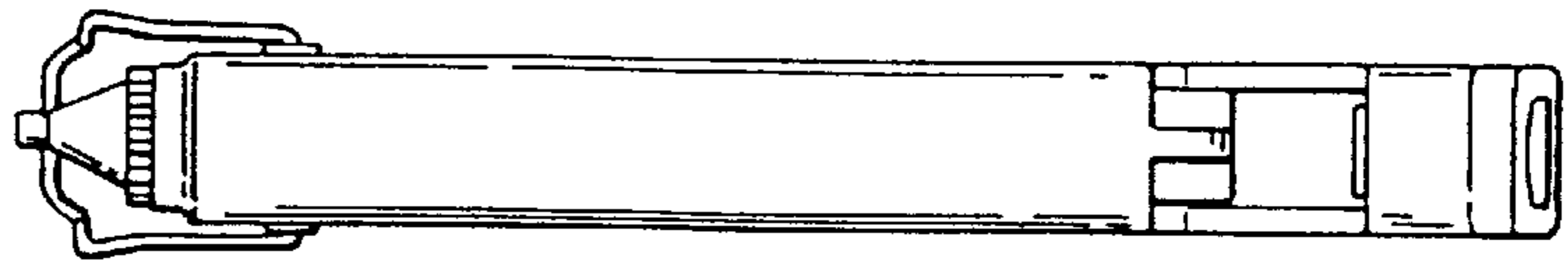


FIG. 2

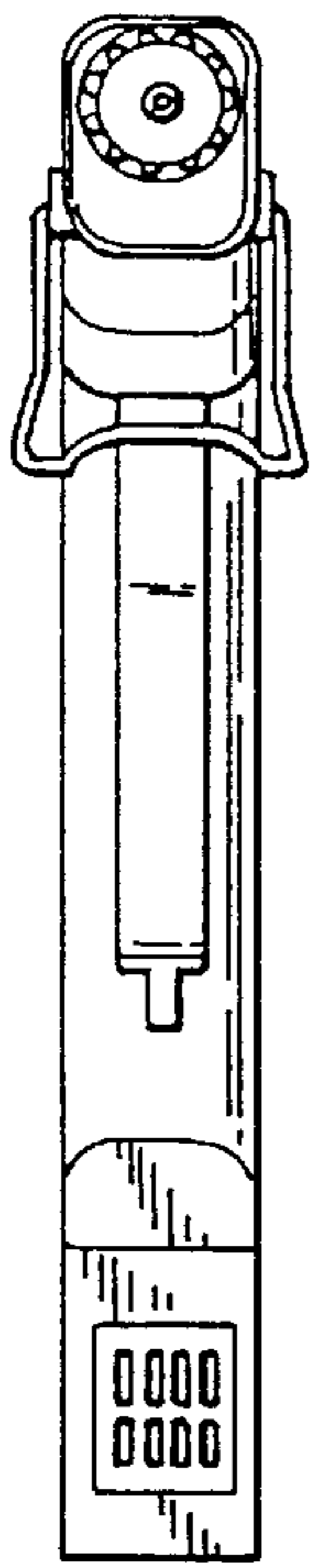


FIG. 4

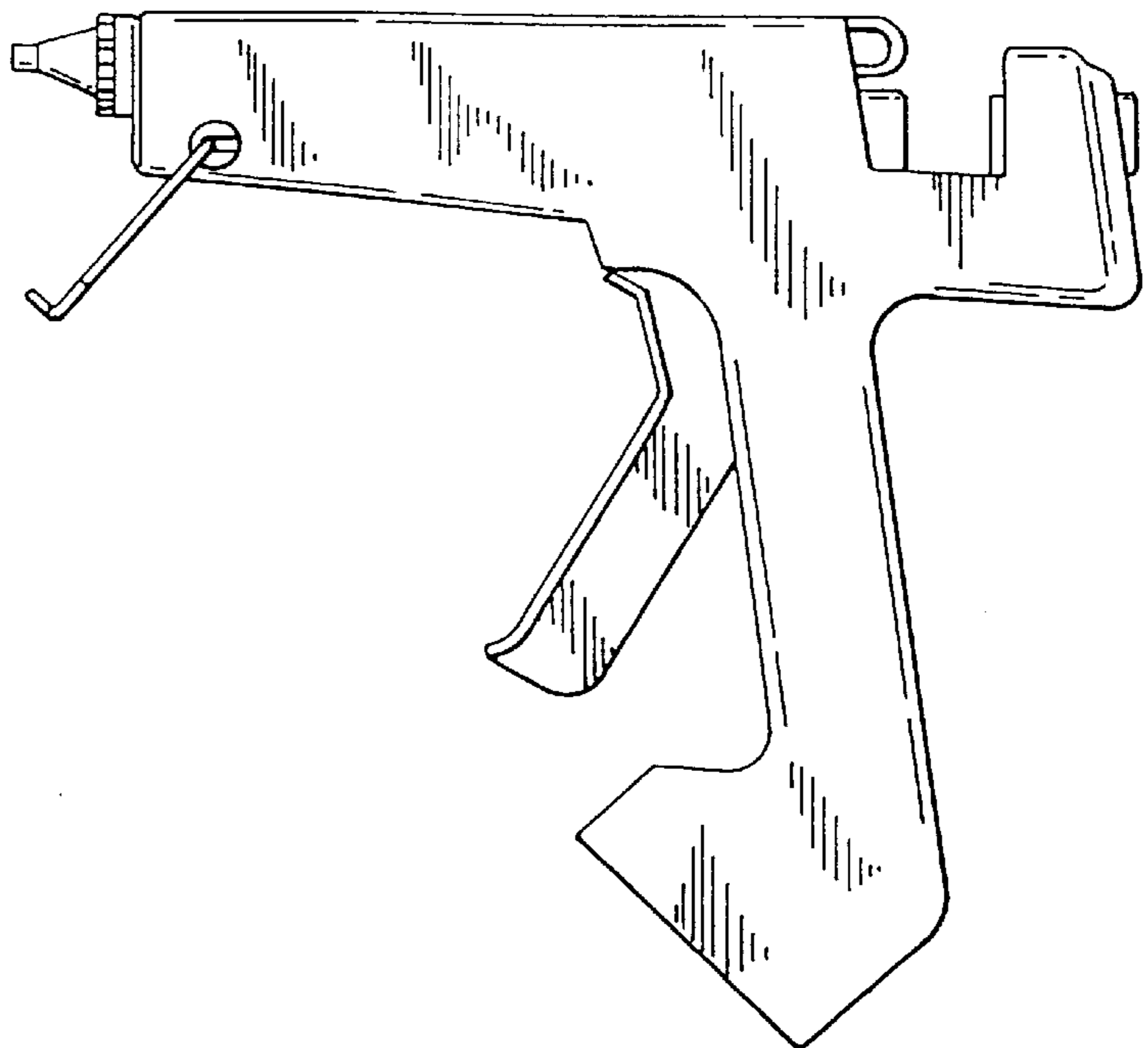


FIG. 3

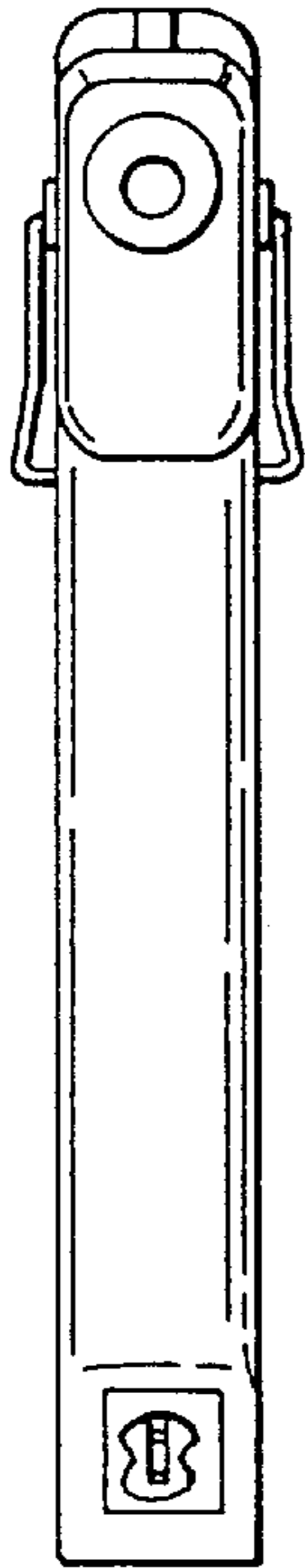


FIG. 5

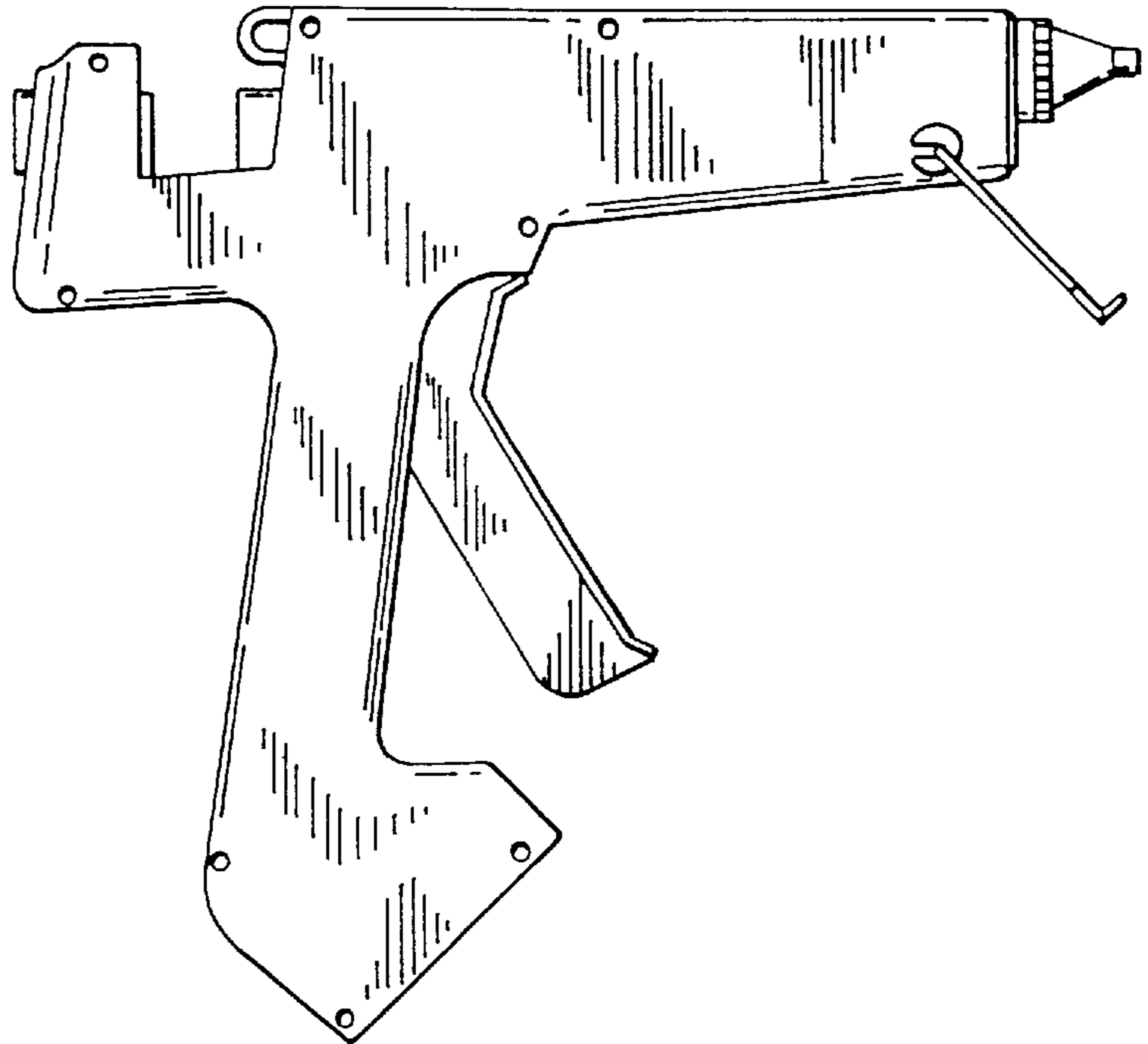


FIG. 6

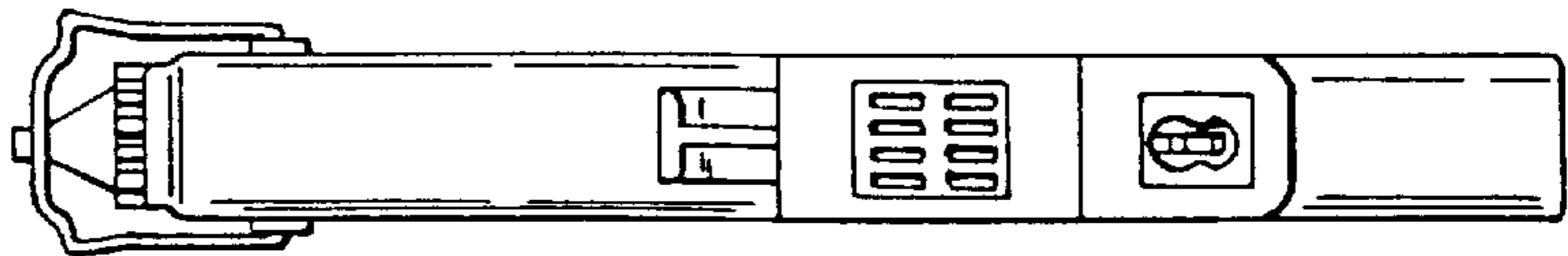


FIG. 7