



US00D402515S

United States Patent [19]
McIntyre

[11] **Patent Number: Des. 402,515**

[45] **Date of Patent: **Dec. 15, 1998**

[54] **MULTI-PURPOSE TOOL**

[76] Inventor: **Kevin P. McIntyre**, 477 Medford Rd.,
Swansea, Mass. 02777

[**] Term: **14 Years**

[21] Appl. No.: **68,553**

[22] Filed: **Mar. 24, 1997**

[51] **LOC (6) Cl.** **08-05**

[52] **U.S. Cl.** **D8/17; D8/28**

[58] **Field of Search** D8/16, 17, 19,
D8/21, 28, 105; 7/138; 81/124.4, 125.1

[56] **References Cited**

U.S. PATENT DOCUMENTS

- D. 120,489 5/1940 Musselman D8/17
- D. 268,473 4/1983 Rust D8/17
- D. 270,807 10/1983 Dilliner D8/18

- D. 356,240 3/1995 Meldahl D8/105
- D. 393,578 4/1998 Keddie D8/17

Primary Examiner—Caron D. Veynar
Attorney, Agent, or Firm—Salter & Michaelson

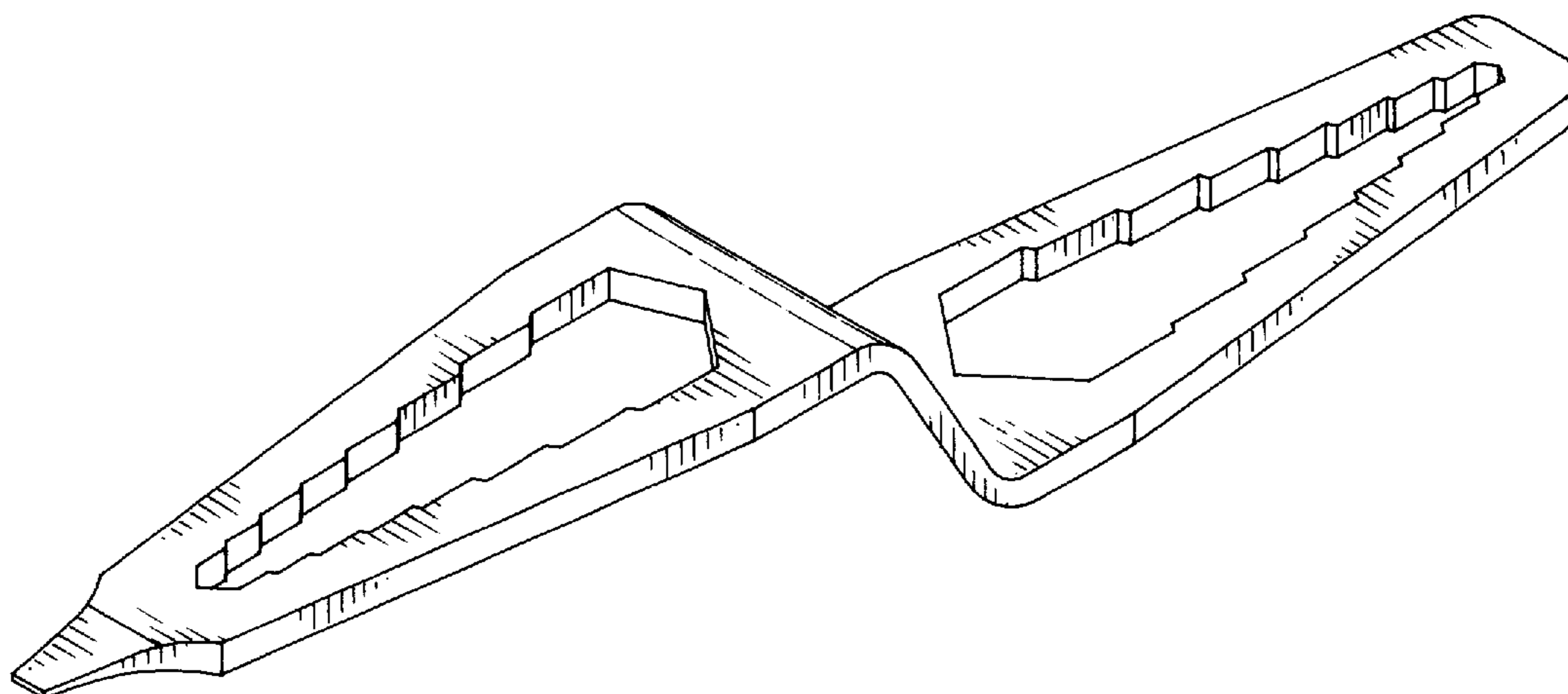
[57] **CLAIM**

The ornamental design for a multi-purpose tool, as shown.

DESCRIPTION

FIG. 1 is a perspective view of a multi-purpose tool showing my new design;
FIG. 2 is a left side elevational view thereof;
FIG. 3 is a right side elevational view thereof;
FIG. 4 is a front end view thereof;
FIG. 5 is a rear end view thereof;
FIG. 6 is a top plan view thereof; and,
FIG. 7 is a bottom plan view thereof.

1 Claim, 2 Drawing Sheets



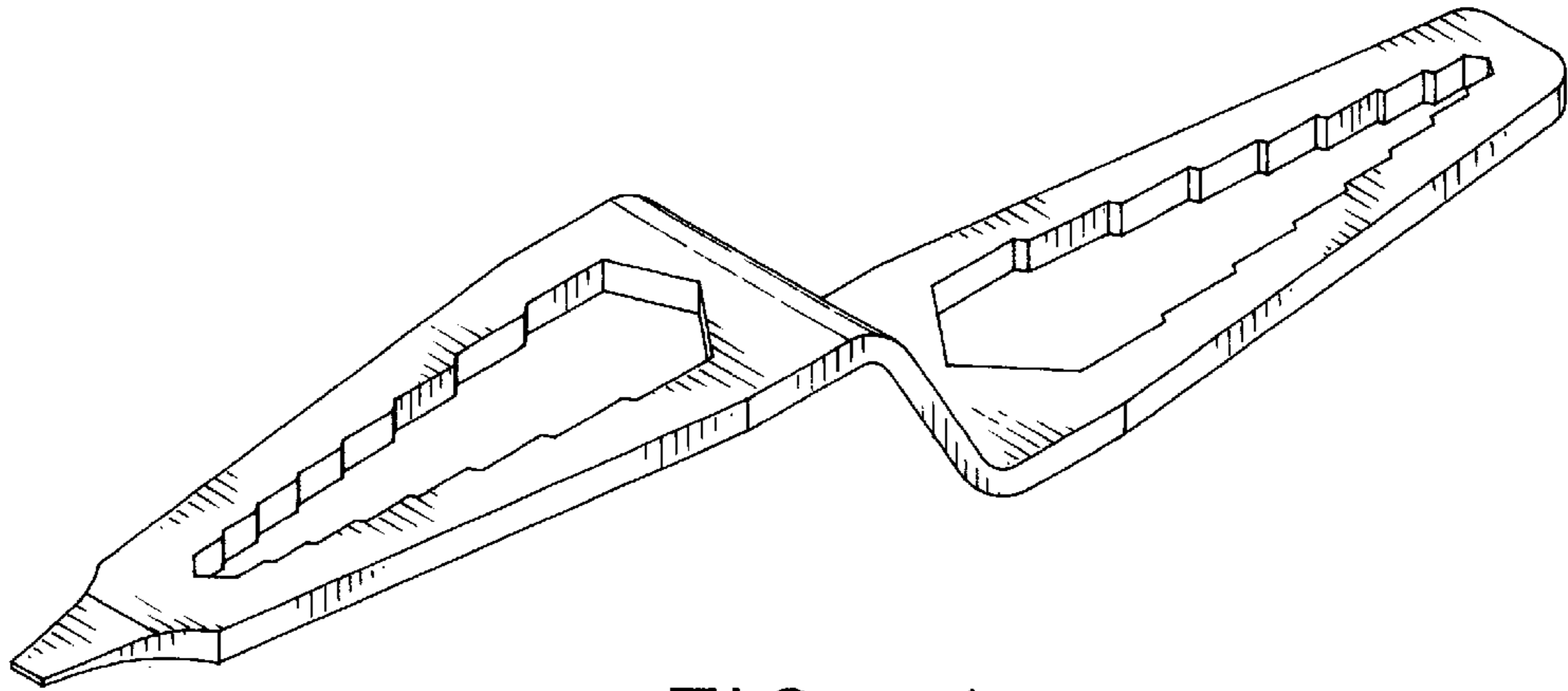


FIG. 1

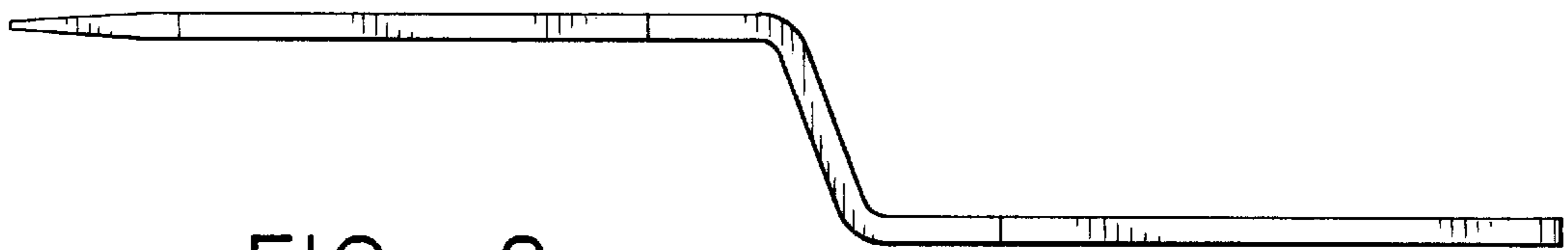


FIG. 2

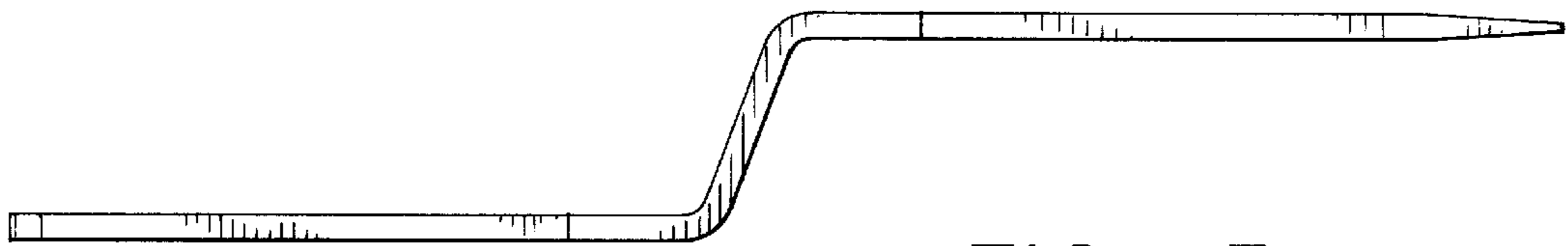


FIG. 3

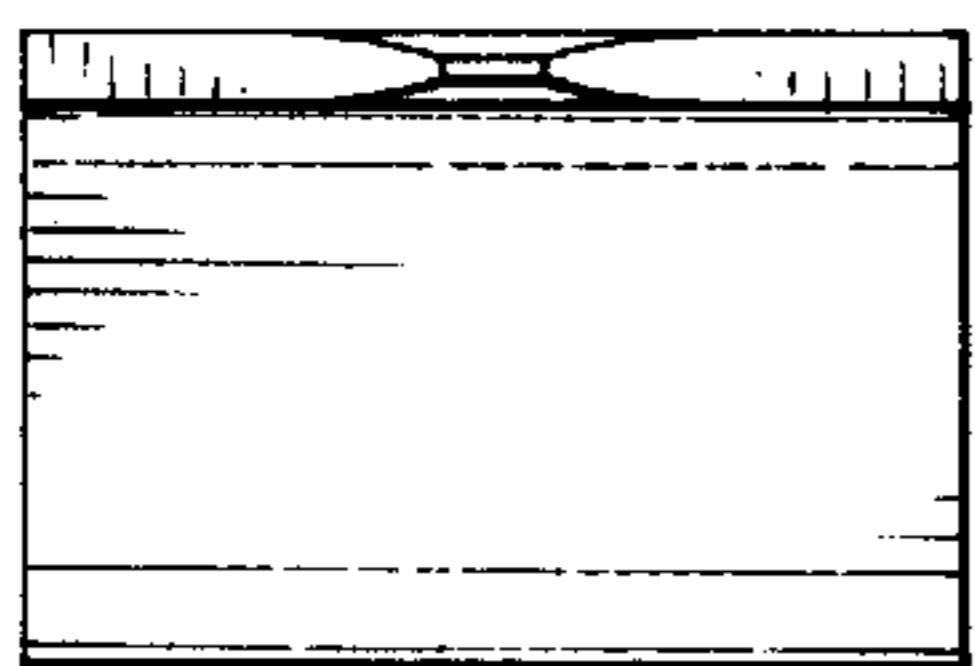


FIG. 4

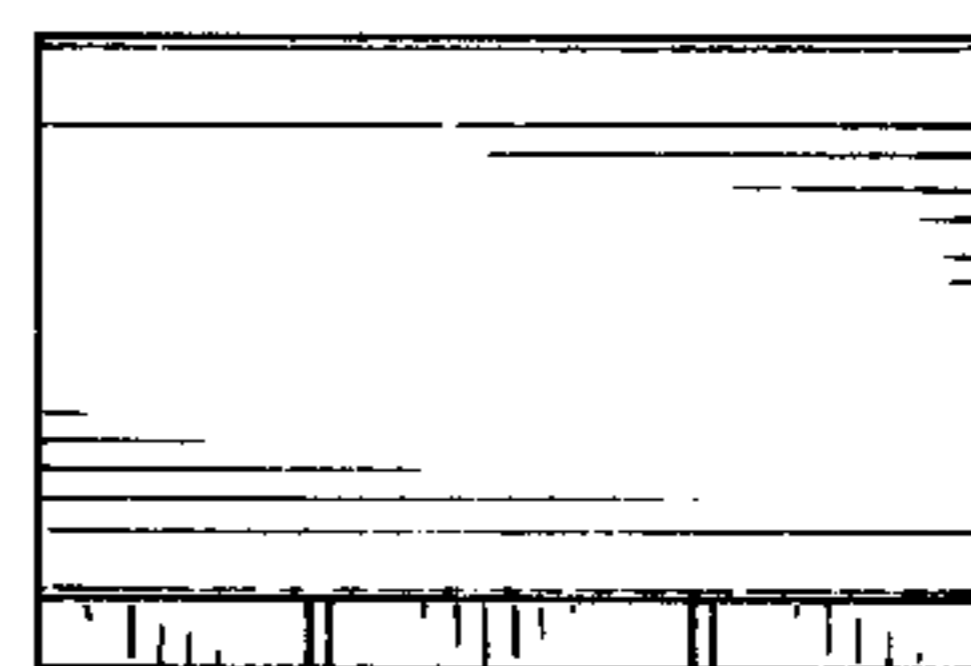


FIG. 5

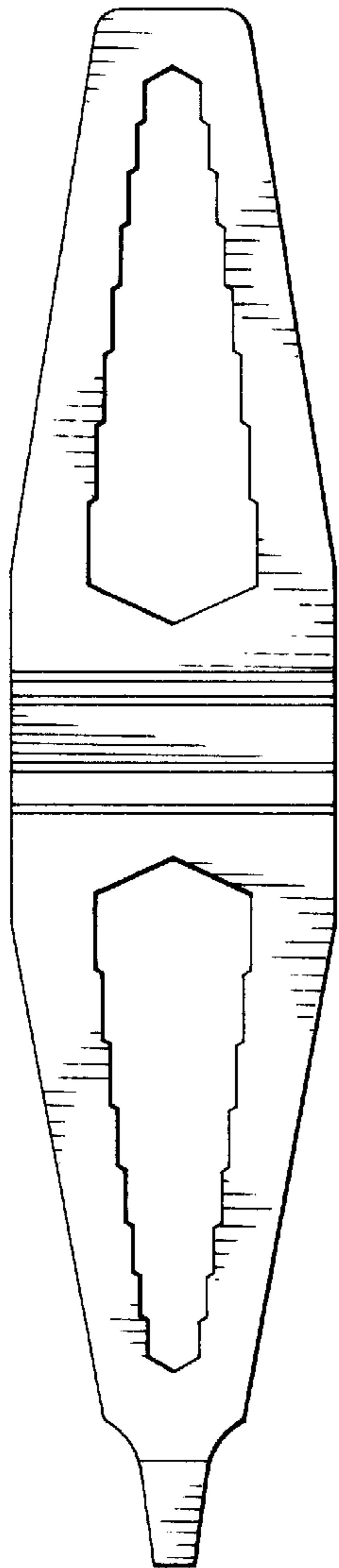


FIG. 6

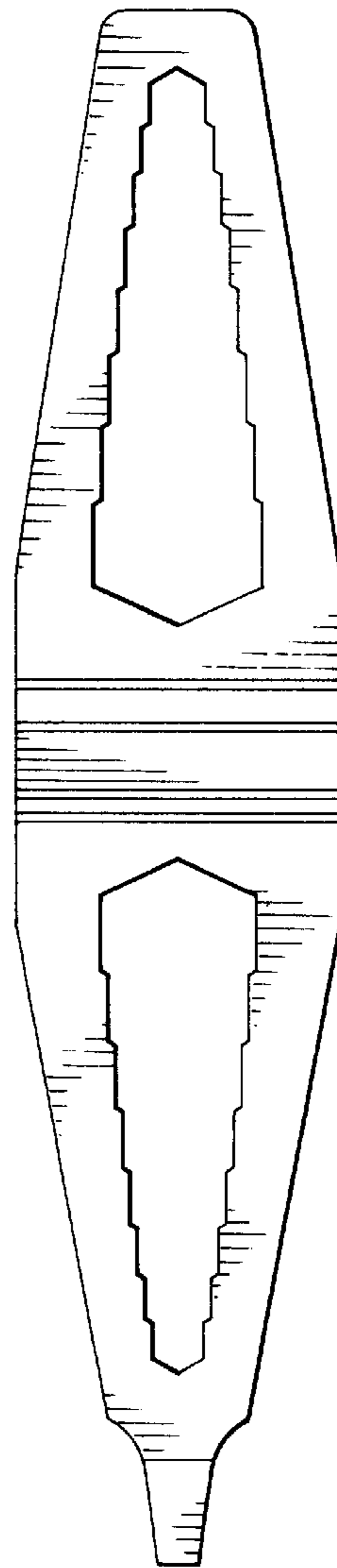


FIG. 7