



US00D402512S

United States Patent [19]

Lee et al.

[11] **Patent Number: Des. 402,512**

[45] **Date of Patent: **Dec. 15, 1998**

[54] **MAGNET BACK SPICE RACK**

[75] Inventors: **Stuart Harvey Lee; Martha Davis; Andrea Ruggiero**, all of New York, N.Y.

[73] Assignee: **M. Kamenstein, Inc.**, Elmsford, N.Y.

[**] Term: **14 Years**

[21] Appl. No.: **79,130**

[22] Filed: **Oct. 24, 1997**

[51] **LOC (6) Cl. 07-01**

[52] **U.S. Cl. D7/590**

[58] **Field of Search** D6/553, 567, 574; D7/590, 601, 701, 707, 708; 211/13.1, 71.01, 74, 75, 85.4, 86.01, 87.01, 88.01, 89.01, 90.01, 126.1, 134

[56] **References Cited**

U.S. PATENT DOCUMENTS

D. 131,908 4/1942 Woodruff D7/590

1,852,652 4/1932 Harris 211/71.01
2,305,965 12/1942 Henkel et al. 211/75
3,752,323 8/1973 Kayden 211/86.01

Primary Examiner—Terry A. Wallace
Attorney, Agent, or Firm—Robert A. Koons, Jr.

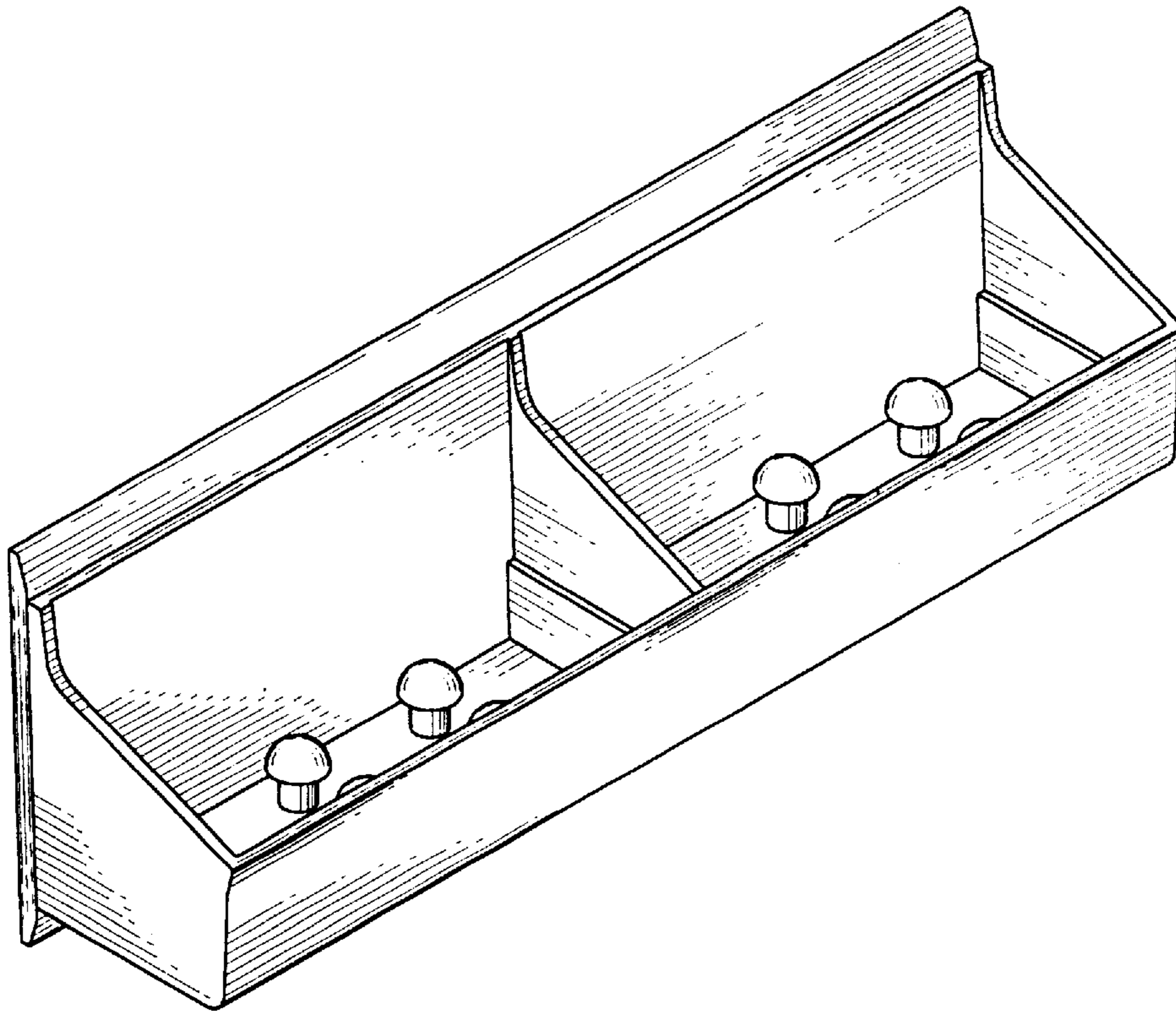
[57] **CLAIM**

The ornamental design for a magnet back spice rack, as shown.

DESCRIPTION

FIG. 1 is a perspective view of a magnet back spice rack showing our new design;
FIG. 2 is a front side view thereof;
FIG. 3 is a back side view thereof;
FIG. 4 is a right side view thereof;
FIG. 5 is a left side view thereof;
FIG. 6 is a top side view thereof; and,
FIG. 7 is a bottom side view thereof.

1 Claim, 4 Drawing Sheets



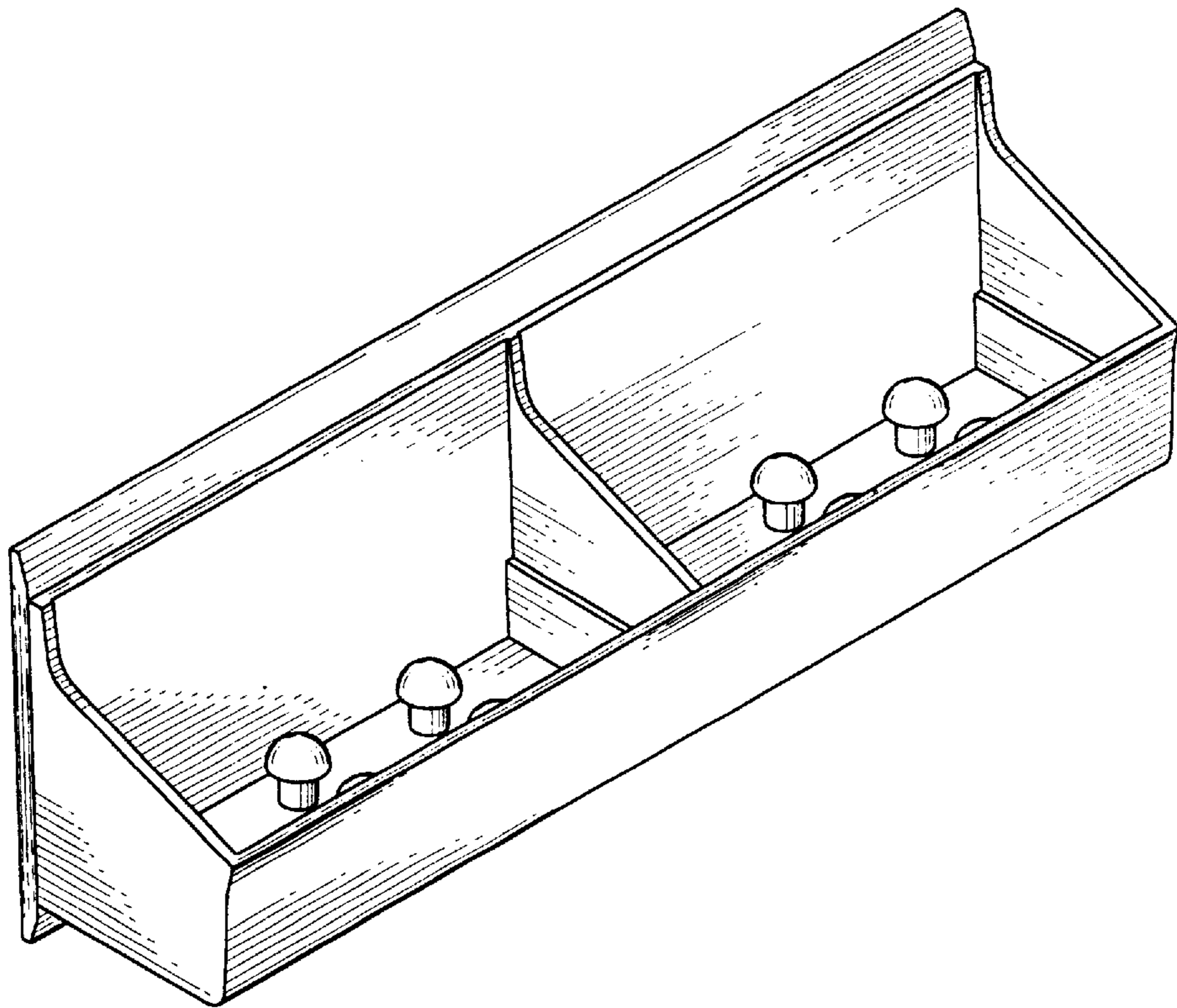


FIG. 1

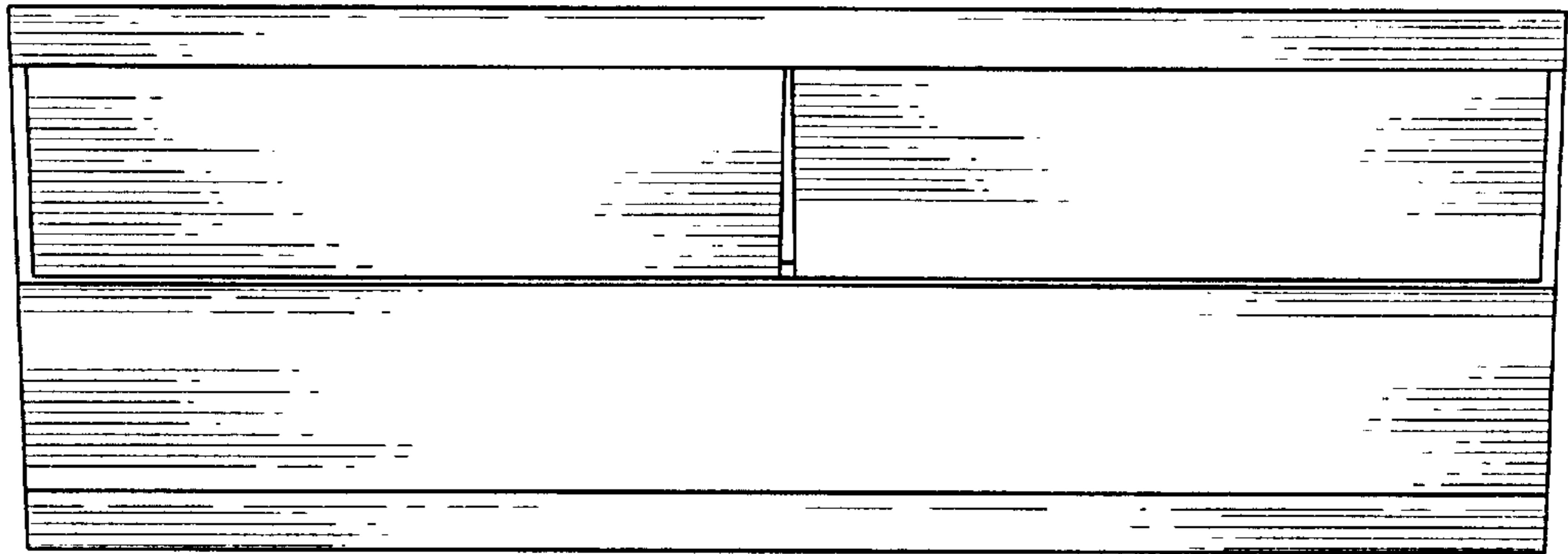


FIG. 2

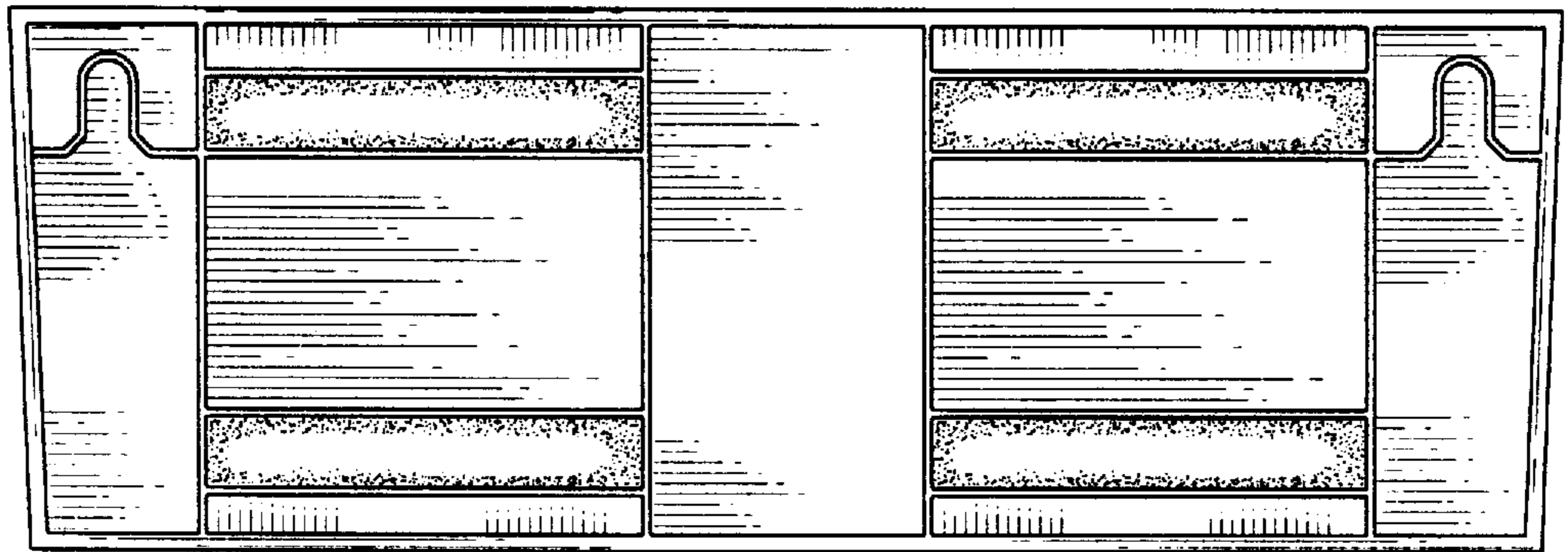


FIG. 3

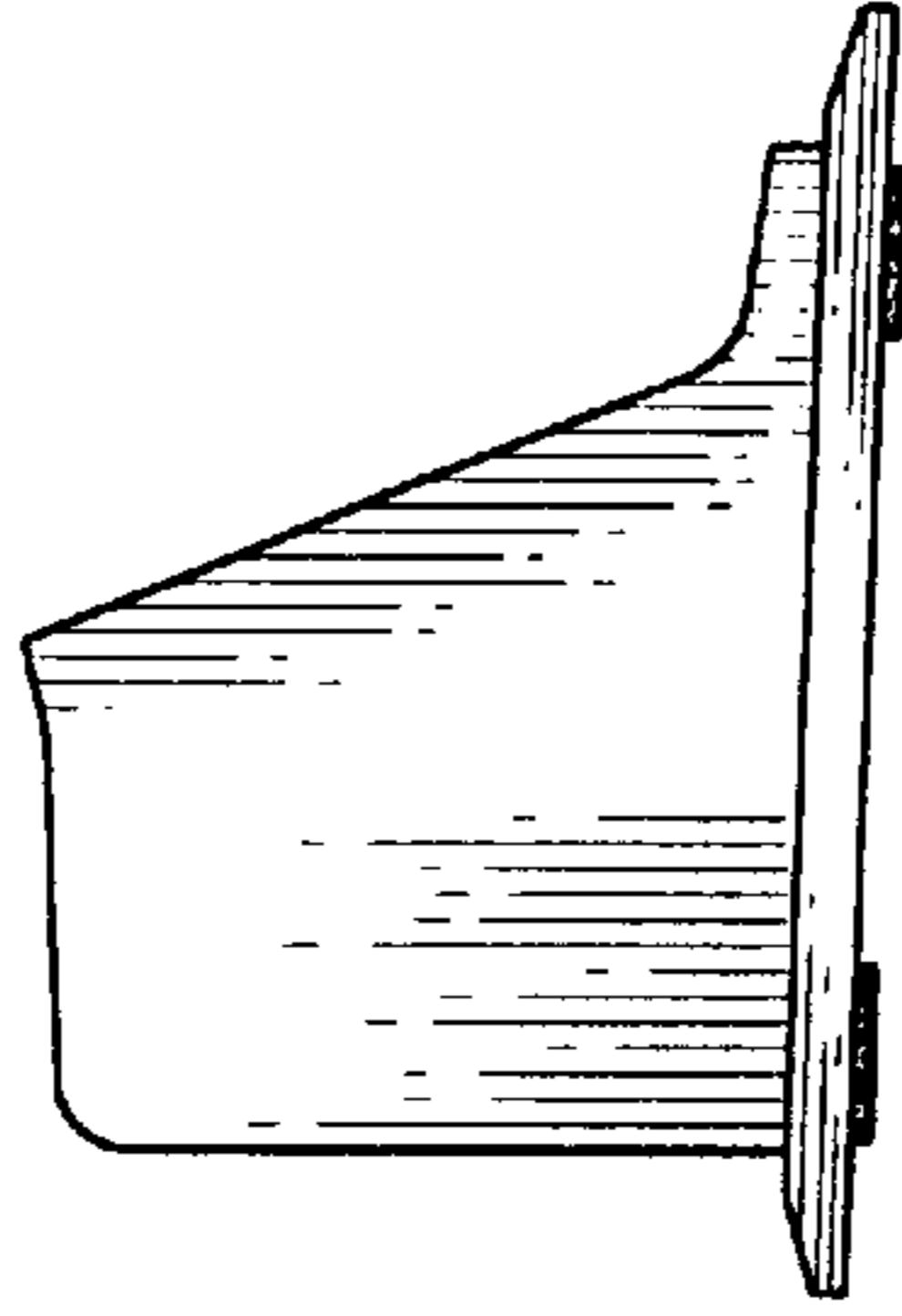


FIG. 4

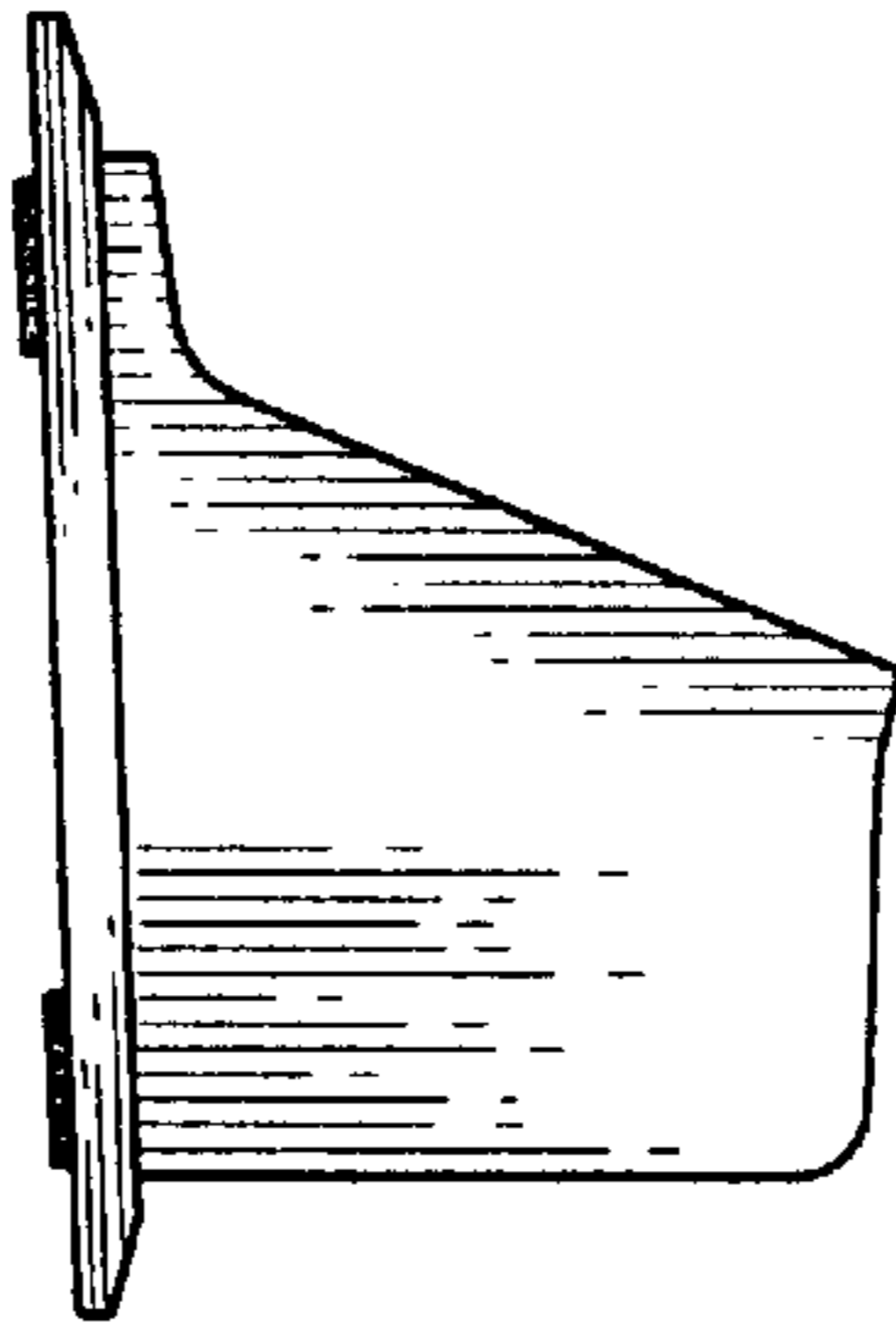


FIG. 5

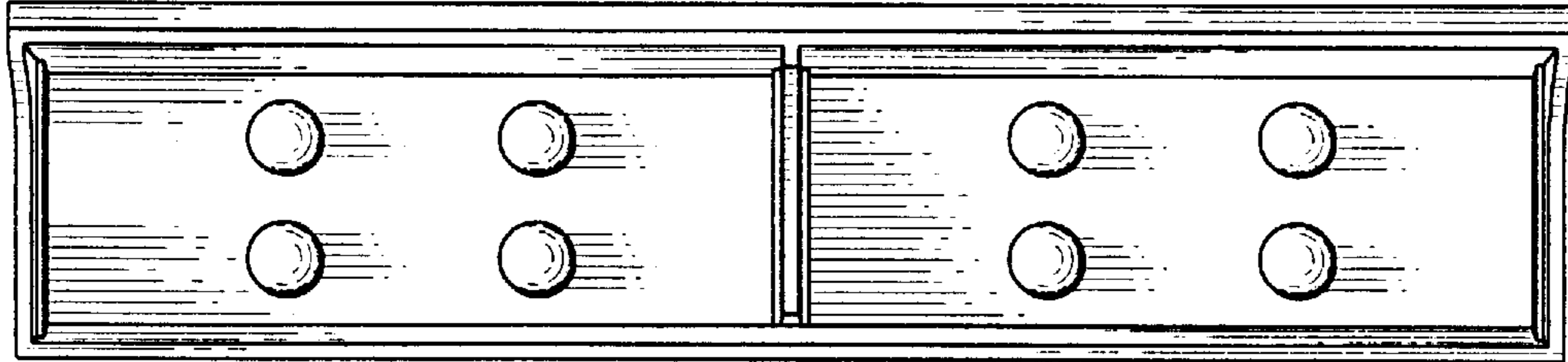


FIG. 6

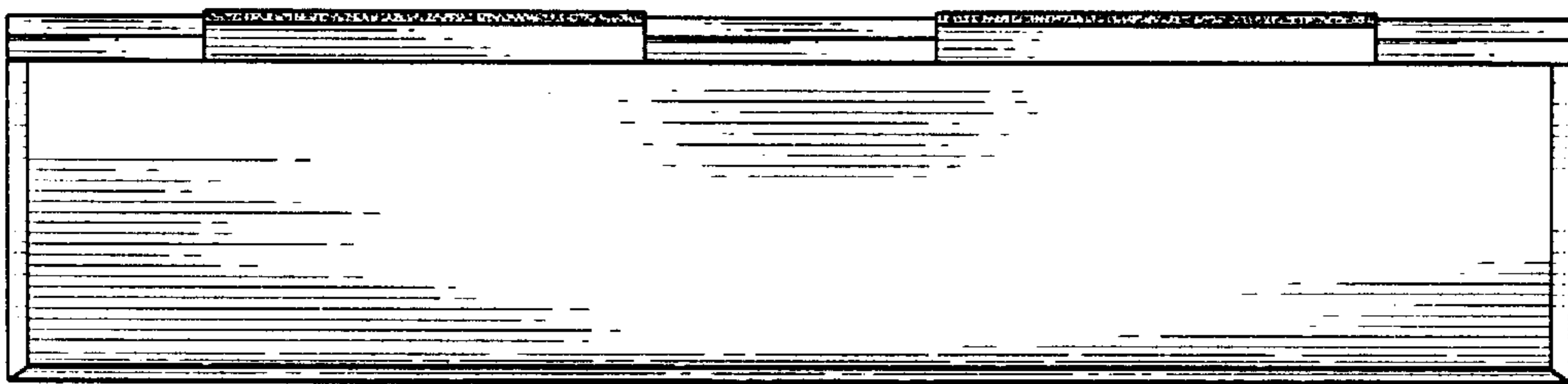


FIG. 7