



US00D402504S

United States Patent [19]

Poon et al.

[11] Patent Number: **Des. 402,504**

[45] Date of Patent: ****Dec. 15, 1998**

[54] **CAMPFIRE IGNITING SYSTEM**

[76] Inventors: **Gabriel Poon; Leanne Poon**, both of
6276 187th Street, Surrey British
Columbia, Canada, V3S 7N8

[**] Term: **14 Years**

[21] Appl. No.: **70,681**

[22] Filed: **May 13, 1997**

[51] **LOC (6) Cl.** **07-99**

[52] **U.S. Cl.** **D7/416**

[58] **Field of Search** D7/397, 550, 417,
D7/398, 213, 300, 416; D27/139; 417/411,
234; 126/25 B, 409; 431/13

[56] **References Cited**

U.S. PATENT DOCUMENTS

D. 203,786	2/1966	Warren	D27/139
D. 206,203	11/1966	Stark	D27/139
D. 226,819	5/1973	Sundstrom	D7/416
D. 235,273	6/1975	Boyd	D7/416
D. 282,566	2/1986	Cragun	D7/416
D. 293,365	12/1987	George	D7/416

2,364,295	12/1944	Hyde	126/25 B
4,487,572	12/1984	Parker	126/25 B
4,919,111	4/1990	Oshawa	126/25 B

Primary Examiner—M. N. Pandozzi

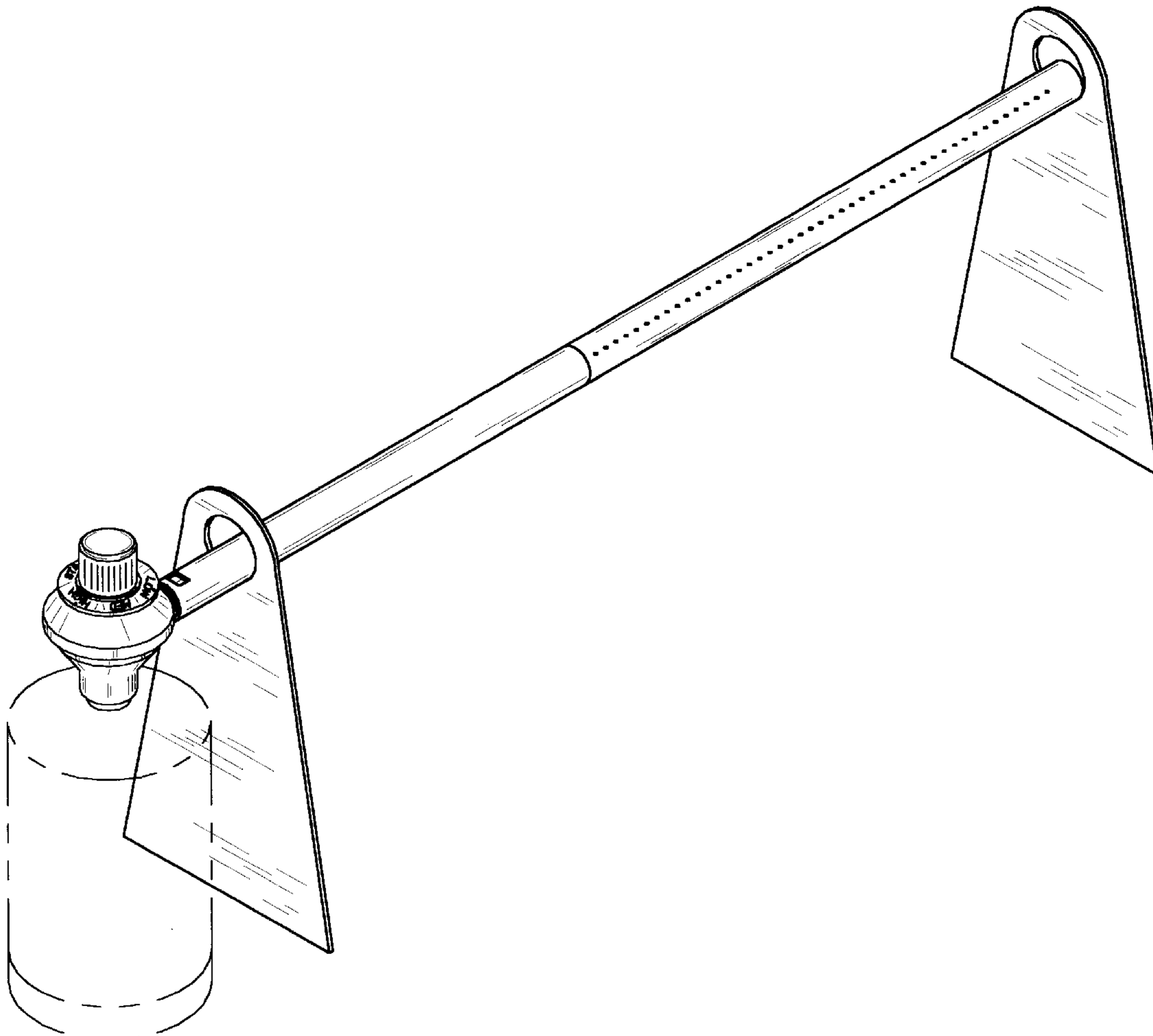
[57] **CLAIM**

The ornamental design for a campfire igniting system, as shown and described.

DESCRIPTION

FIG. 1 is a front elevational view of a campfire igniting system showing our new design;
 FIG. 2 is a rear elevational view thereof;
 FIG. 3 is a left side elevational view thereof;
 FIG. 4 is a right side elevational view thereof;
 FIG. 5 is a top plan view of the campfire igniting system of FIG. 1;
 FIG. 6 is a bottom plan view of the campfire igniting system of FIG. 1; and,
 FIG. 7 is a perspective view of the campfire igniting system of FIG. 1.
 The broken line showing on FIG. 7 is for illustrative purposes only and forms no part of the claimed design.

1 Claim, 4 Drawing Sheets



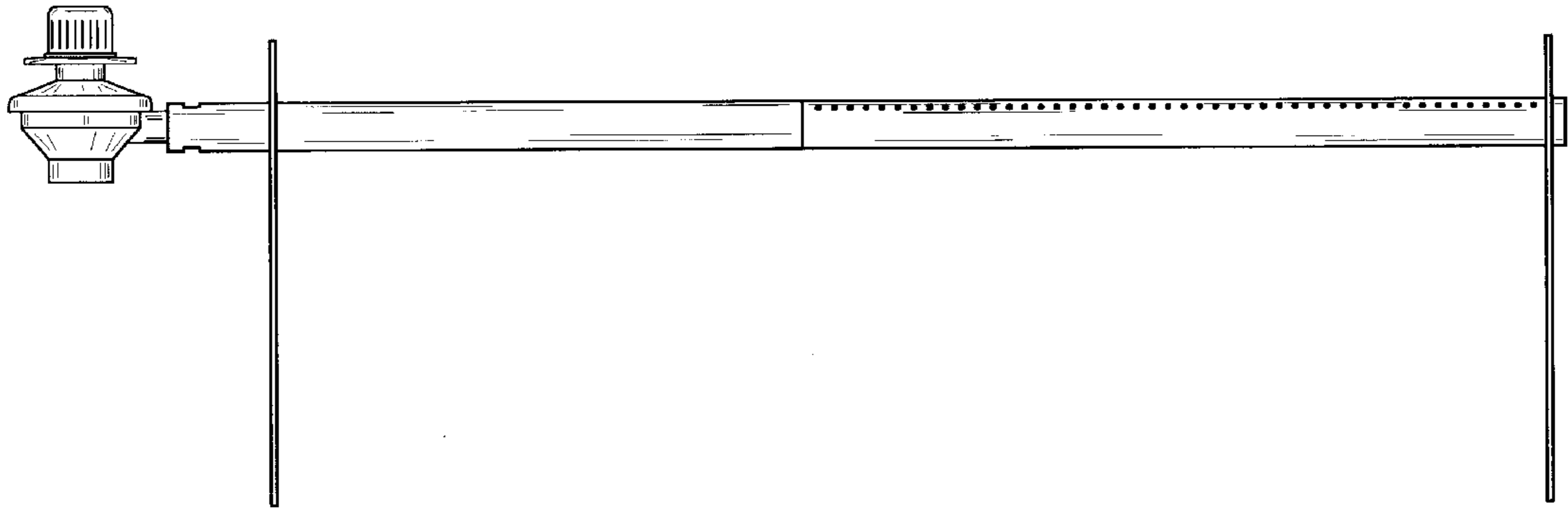


Fig. 1

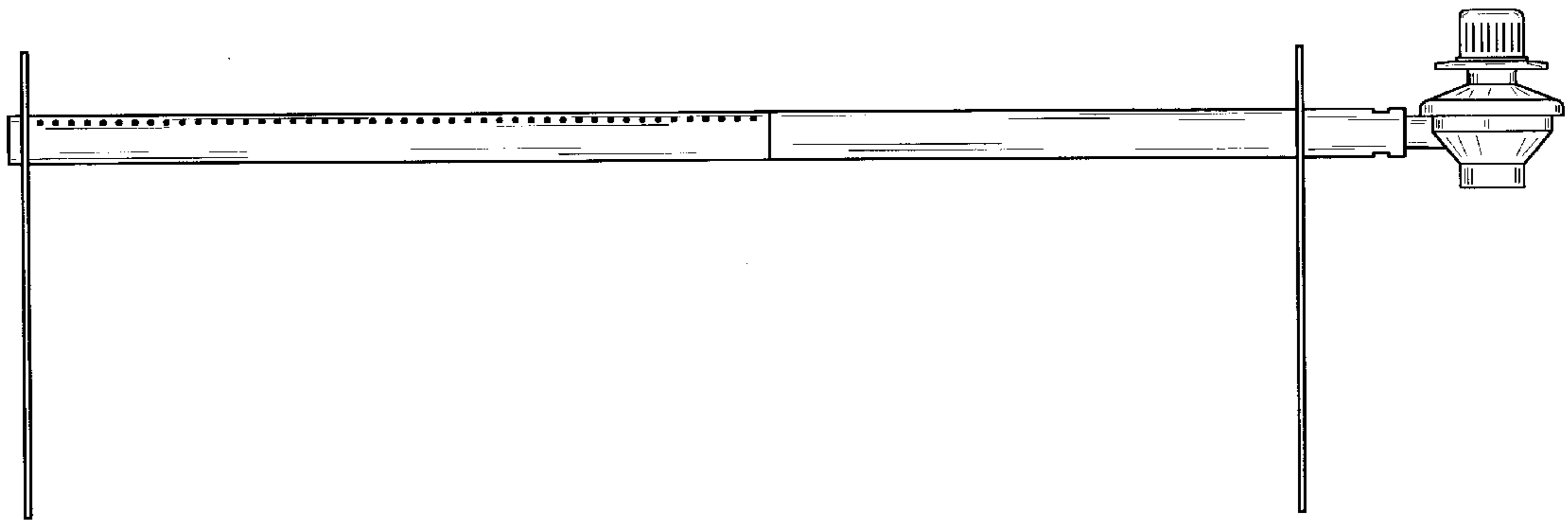


Fig. 2

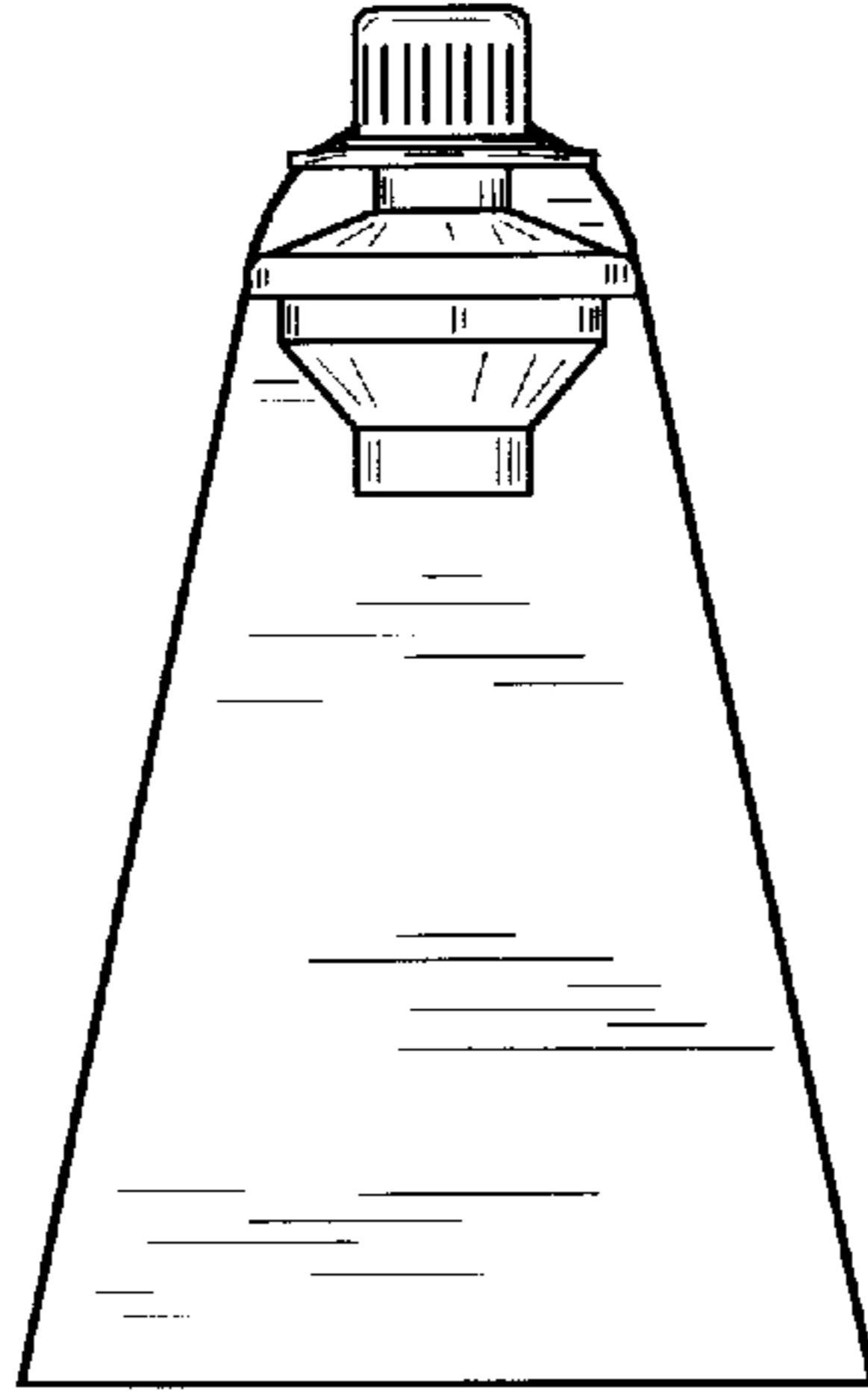


Fig. 3

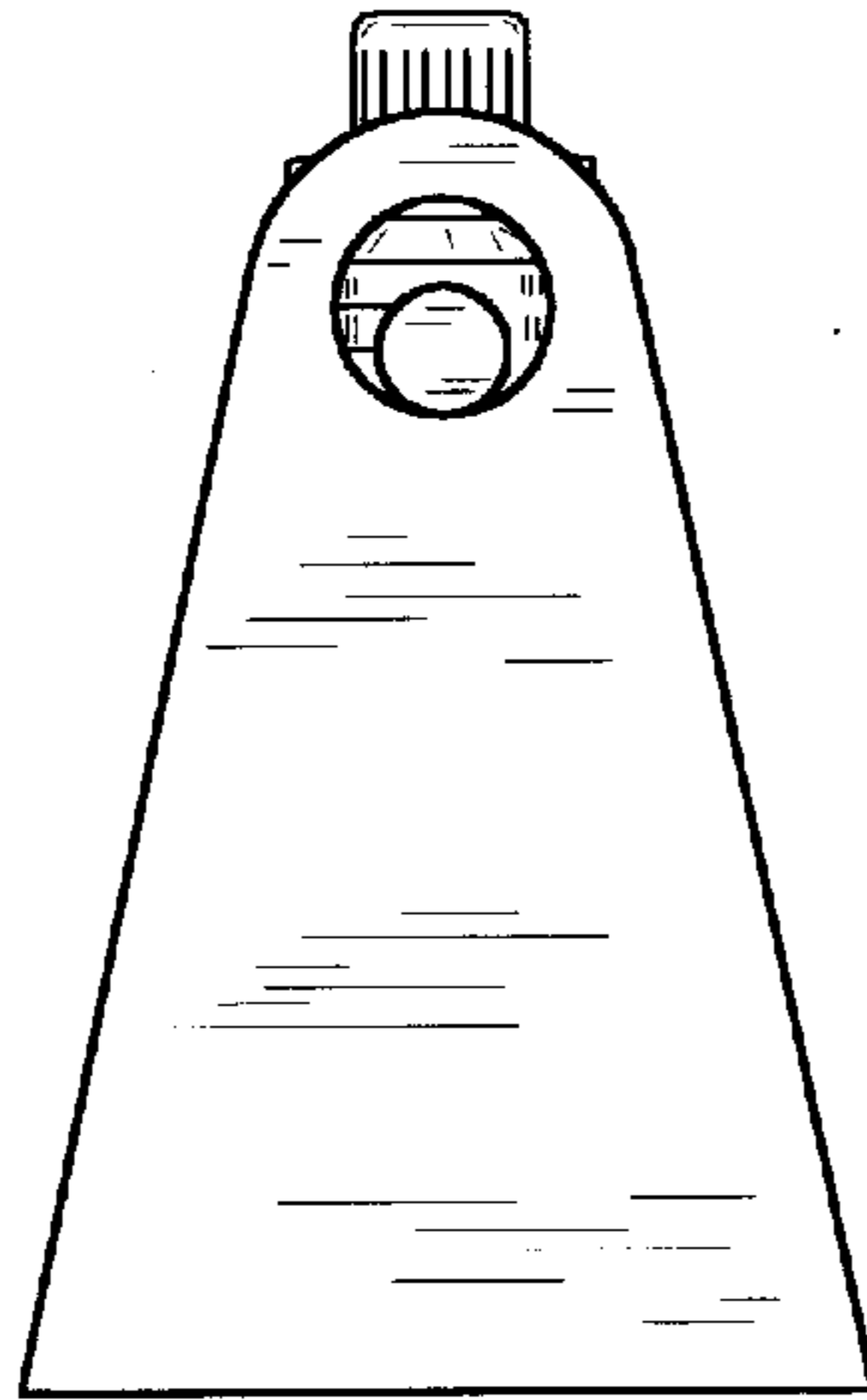


Fig. 4

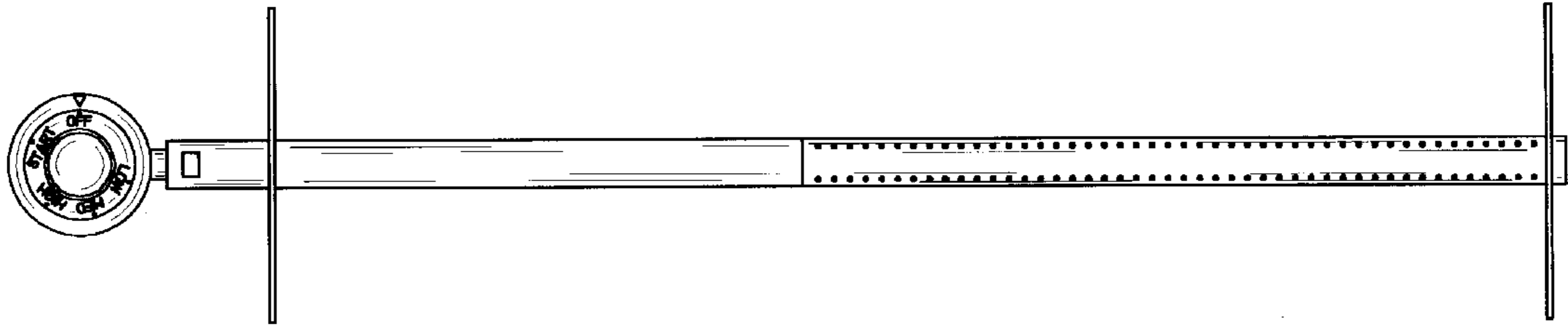


Fig. 5

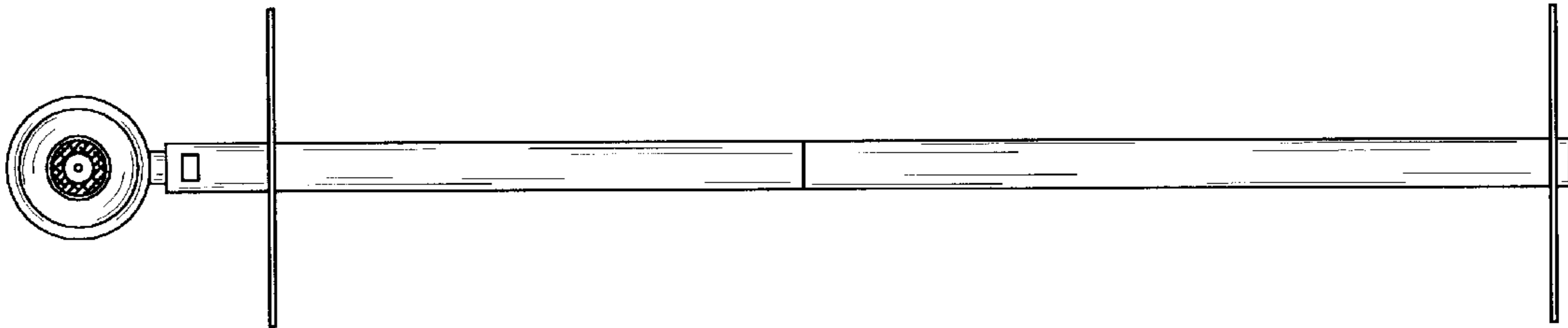


Fig. 6

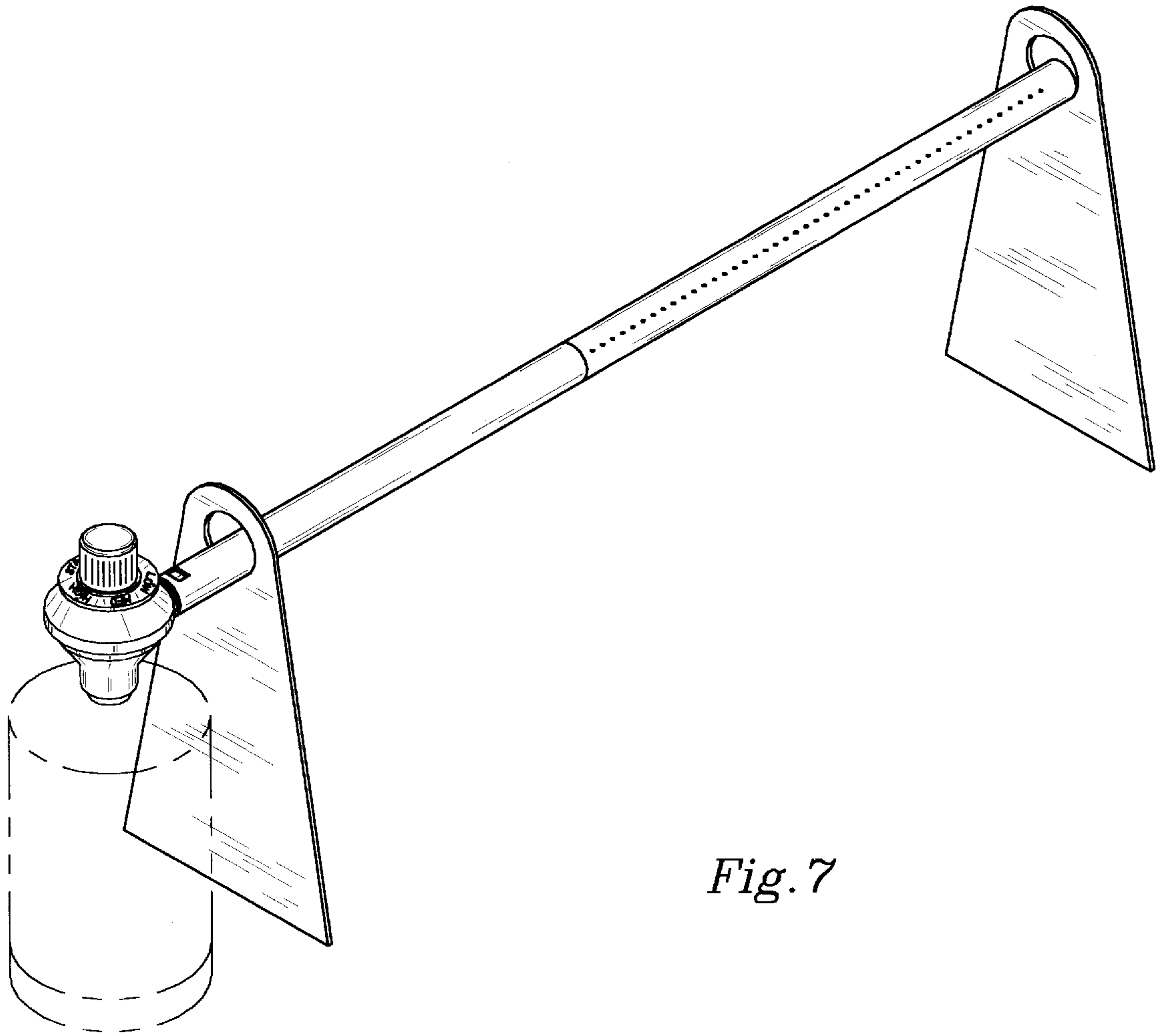


Fig. 7