



US00D402503S

# United States Patent [19]

Sanchez

[11] Patent Number: Des. 402,503

[45] Date of Patent: \*\*Dec. 15, 1998

[54] **BARBEQUE GRILL WITH TIRE TREAD PATTERN**

[76] Inventor: **Lawrence Sanchez**, 3015 E. Bayshore Rd., #301, Redwood City, Calif. 94063

[\*\*] Term: **14 Years**

[21] Appl. No.: **51,730**

[22] Filed: **Mar. 15, 1996**

[51] **LOC (6) Cl.** ..... **07-99**

[52] **U.S. Cl.** ..... **D7/409; D7/388**

[58] **Field of Search** ..... D7/409, 408, 388, D7/359, 667, 337, 402; 99/400, 448, 417, 440, 425

[56] **References Cited**

**U.S. PATENT DOCUMENTS**

63,753	4/1867	Russell	99/400
96,973	11/1869	Saxton	99/400
D. 200,137	1/1965	Hanna	D7/337 X
D. 221,816	9/1971	Bryan	D7/337
D. 269,660	7/1983	Powers	D7/388 X
D. 287,091	12/1986	Elliston	D7/337
D. 292,163	10/1987	Mashburn et al.	D7/337
D. 346,531	5/1994	Stephen et al.	D7/409
D. 364,535	11/1995	Moore	D7/409
D. 364,777	12/1995	Schlosser et al.	D7/409

D. 371,719	7/1996	Perry	D7/388
2,534,407	12/1950	Bramberry	99/425
2,866,121	12/1958	Witt	D7/408 X
4,300,444	11/1981	Muse	99/448
5,320,028	6/1994	Grunberg	99/417 X

**OTHER PUBLICATIONS**

King Barbecue (Middle Right) Popular Science p. 130 Jun. 1958.

Safari Grill from Swaniebraxi Inc., Home Furnishings Daily Jul. 12, 1962.

*Primary Examiner*—M. N. Pandozzi

*Attorney, Agent, or Firm*—James E. Eakin

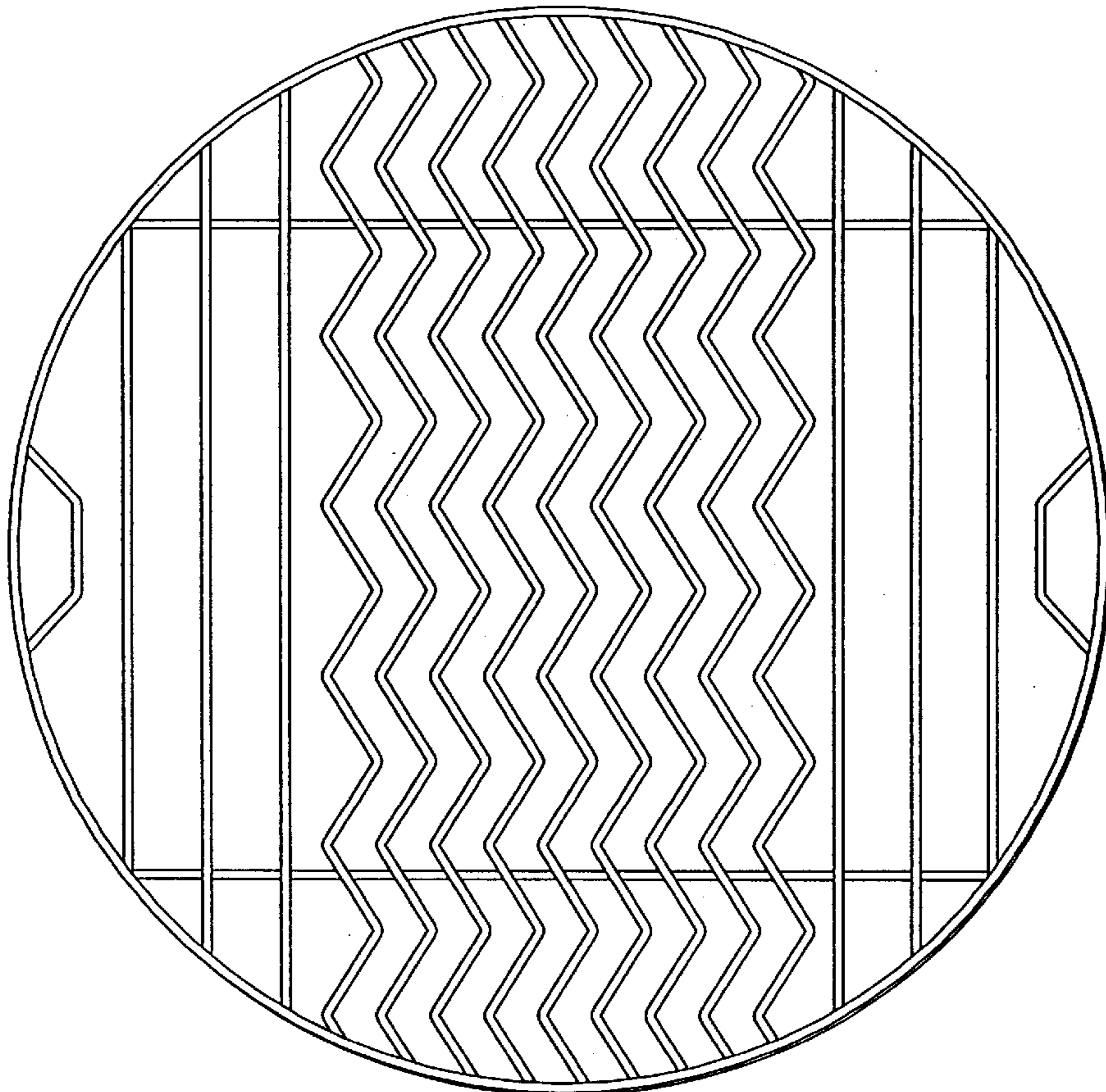
[57] **CLAIM**

The ornamental design for a barbeque grill with tire tread pattern, as shown and described.

**DESCRIPTION**

FIG. 1 is a top, plan view of a barbeque grill with tire tread pattern showing the new design of the present invention; FIG. 2 is right side elevational view thereof, the left side view being a mirror image; FIG. 3 is a front elevational view thereof, the back view being a mirror image; and, FIG. 4 is a bottom, plan view thereof.

**1 Claim, 2 Drawing Sheets**



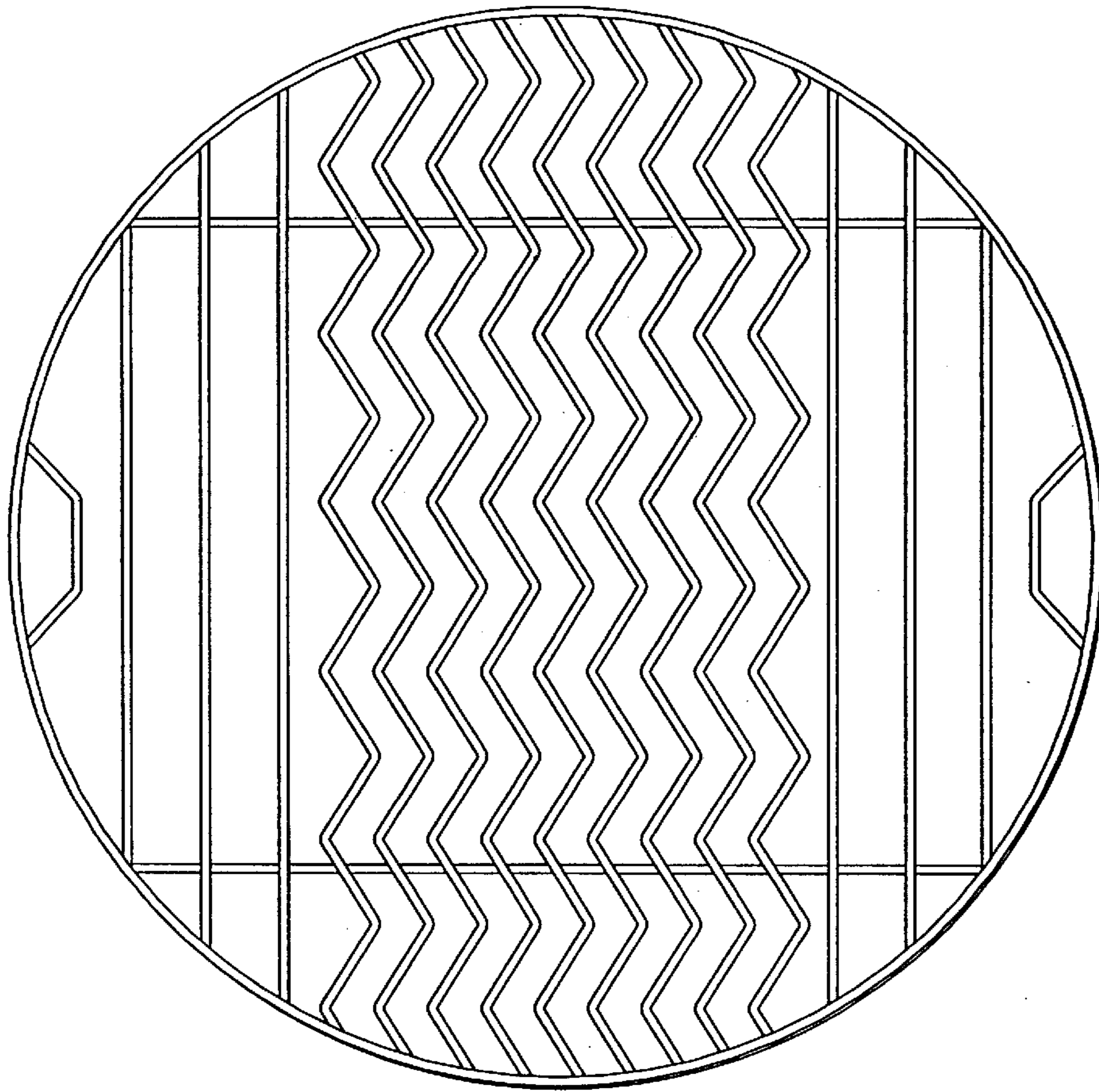


FIG. 1

FIG. 2

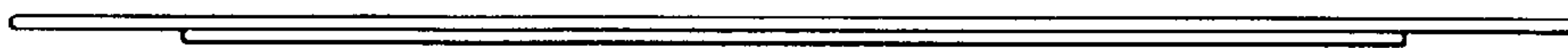
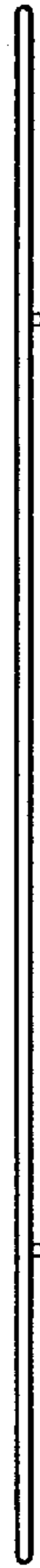


FIG. 3

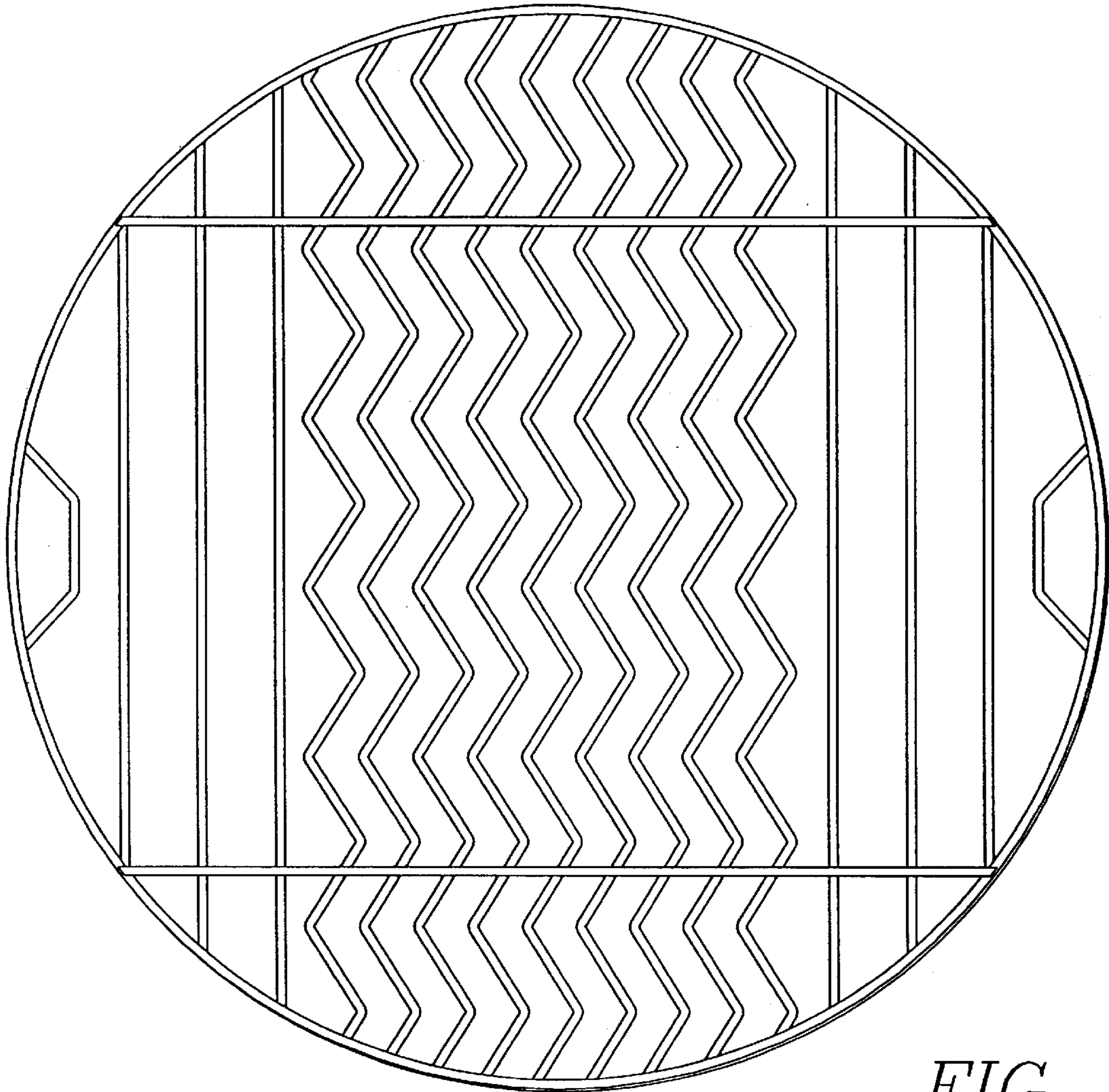


FIG. 4