



US00D402501S

United States Patent [19] Powers

[11] Patent Number: **Des. 402,501**

[45] Date of Patent: ****Dec. 15, 1998**

[54] EGG HOLDING RING

[75] Inventor: **Linda Powers**, Minneapolis, Minn.

[73] Assignee: **The Paper Magic Group, Inc.**,
Wilmington, Del.

[**] Term: **14 Years**

[21] Appl. No.: **67,030**

[22] Filed: **Feb. 28, 1997**

[51] LOC (6) Cl. **07-01**

[52] U.S. Cl. **D7/503; D7/357; D7/611;**
D7/388

[58] Field of Search D7/503, 357, 523,
D7/611, 524, 388, 672; 211/74; 99/433

[56] **References Cited**

U.S. PATENT DOCUMENTS

- D. 54,367 2/1920 Bierbach D7/503
- D. 244,905 7/1977 Wach D7/503

- D. 325,325 4/1992 Cadman D7/611
- D. 333,760 3/1993 Walker D7/672
- D. 371,276 7/1996 Laib D7/388
- D. 377,138 1/1997 Angelo D7/672
- 2,192,415 3/1940 Schwarzenzer D7/523 X

Primary Examiner—M. N. Pandozzi

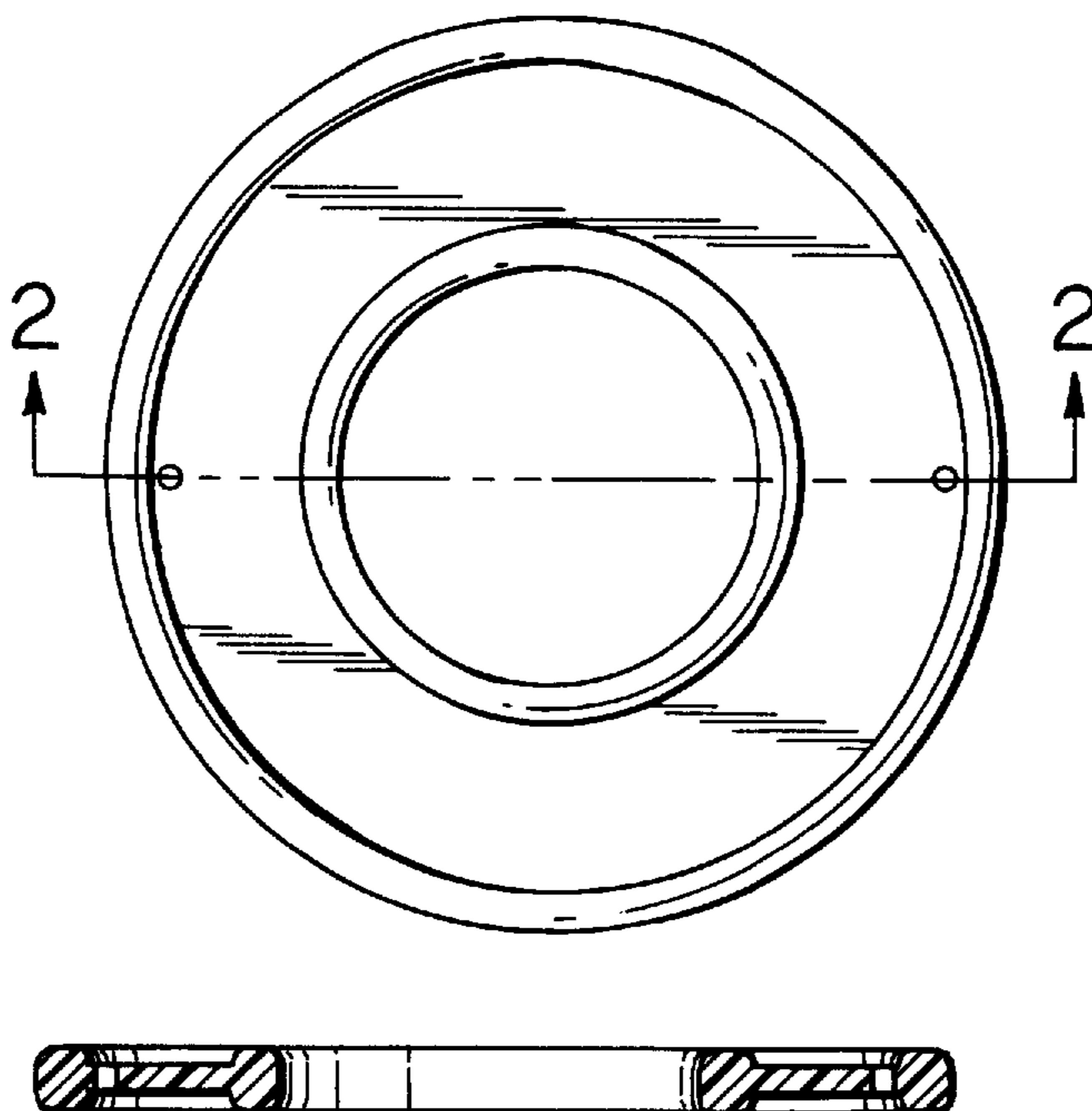
[57] **CLAIM**

The ornamental design for an egg holding ring, as shown and described.

DESCRIPTION

FIG. 1 is a top plan view of a egg holding ring embodying my invention;
 FIG. 2 is a sectional view thereof taken along line 2—2 of FIG. 1;
 FIG. 3 is a side view of the right side of the egg holding ring shown in FIG. 1 and embodying my invention; the left side is a mirror image of the right; and,
 FIG. 4 is a perspective view of the egg holding ring illustrated in FIGS. 1, 2 and 3 and embodying my invention.

1 Claim, 1 Drawing Sheet



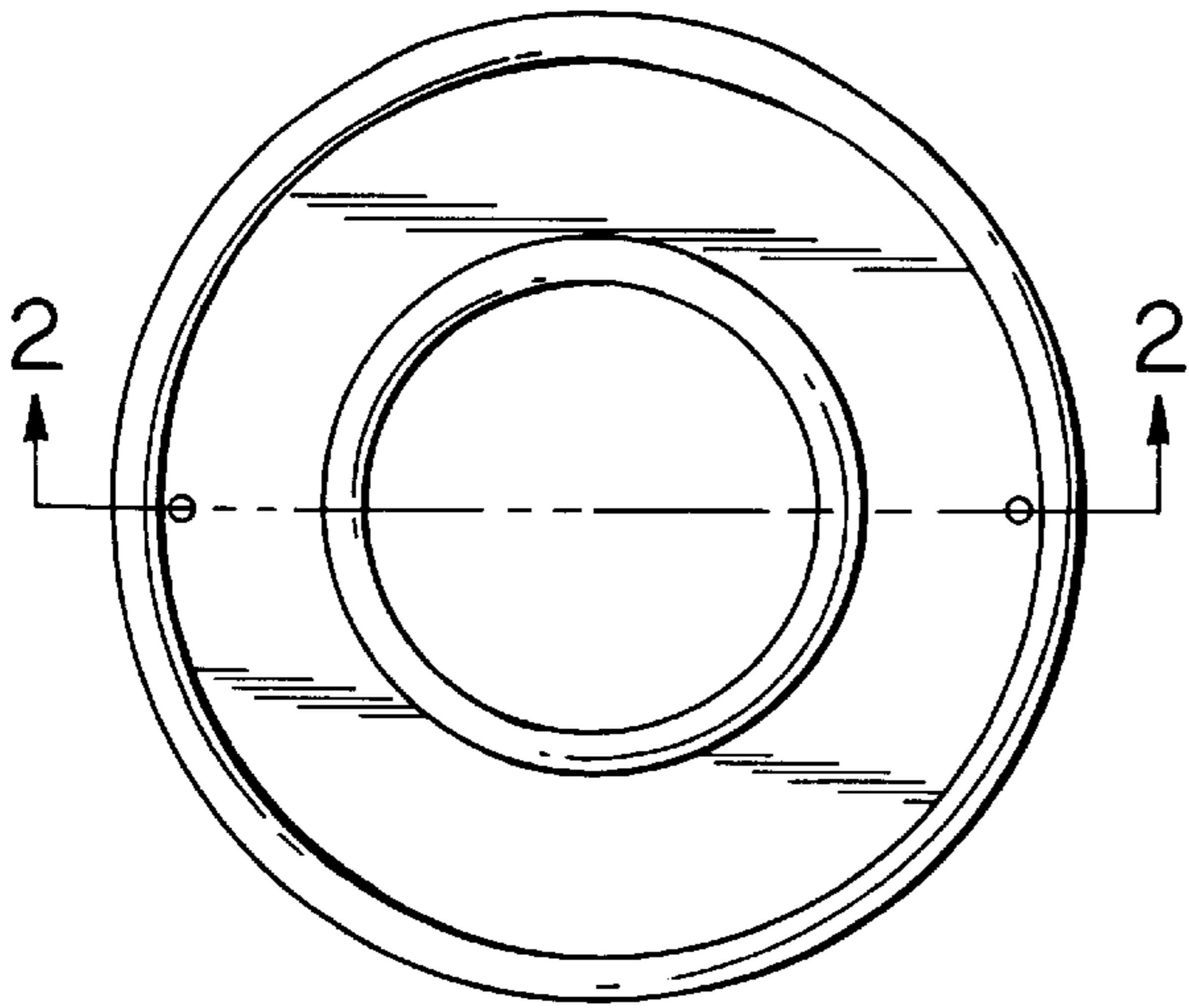


FIG. 1

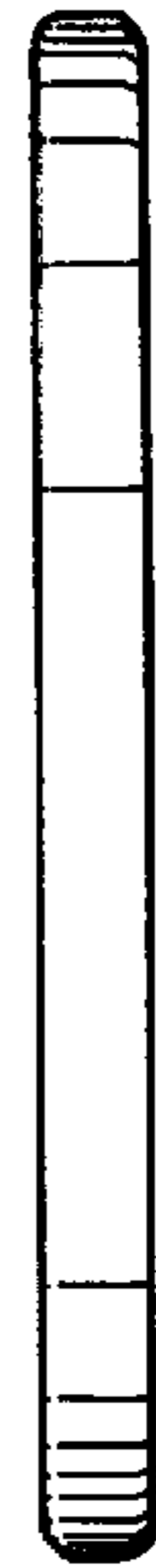


FIG. 3

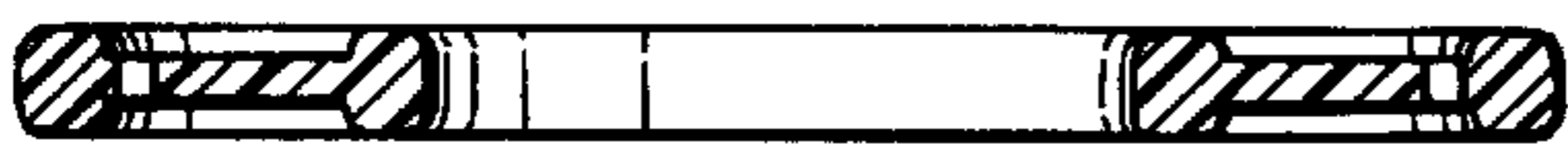


FIG. 2

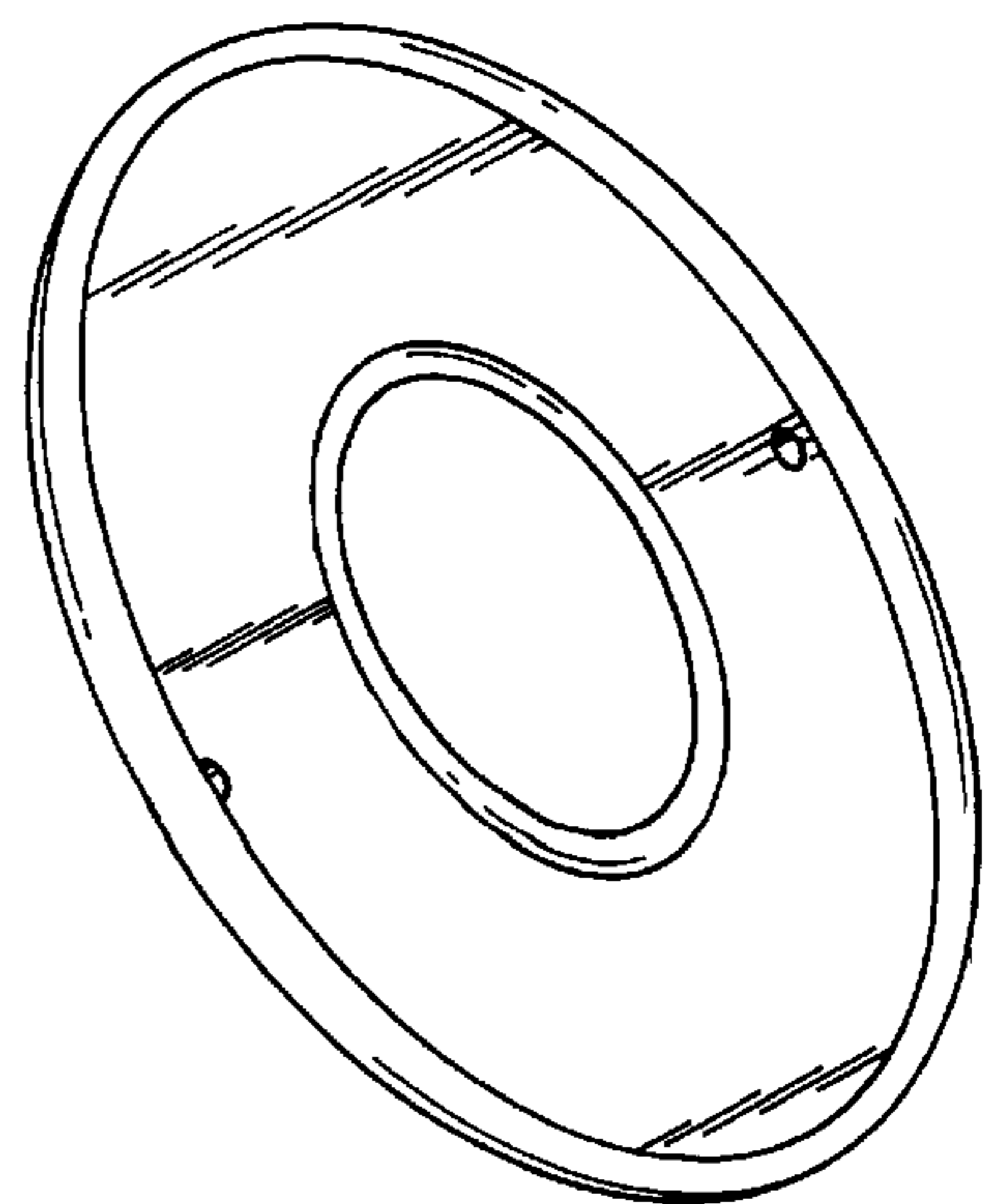


FIG. 4