



US00D402499S

United States Patent [19] Carroll

[11] **Patent Number: Des. 402,499**

[45] **Date of Patent: **Dec. 15, 1998**

[54] **BARBECUE GRILL**

D. 376,510 12/1996 Ting D7/332
D. 383,640 9/1997 Yu D7/337

[75] Inventor: **Thomas M. Carroll**, Hudson, Ohio

Primary Examiner—Ruth McInroy
Attorney, Agent, or Firm—Jones, Day, Reavis & Pogue

[73] Assignee: **Kay Home Products, Inc.**, Cleveland, Ohio

[57] **CLAIM**

[**] Term: **14 Years**

I claim the ornamental design for a barbecue grill, as shown and described.

[21] Appl. No.: **72,790**

DESCRIPTION

[22] Filed: **Jun. 13, 1997**

FIG. 1 is a perspective view of a barbecue grill showing my new design;

[51] **LOC (6) Cl.** **07-02**

FIG. 2 is a top plan view thereof;

[52] **U.S. Cl.** **D7/332**

FIG. 3 is a bottom plan view thereof;

[58] **Field of Search** D7/332-338, 402-404, D7/406, 409; 99/419, 421 R, 412 A, 421 HV, 421 HH, 421 TP, 421 V; 126/25 R, 25 A, 25 AA, 26, 9, 40, 41 R, 41 A, 41 B

FIG. 4 is a front elevational view thereof;

FIG. 5 is a rear elevational view thereof;

FIG. 6 is a perspective view in use with a possible stand; and,

FIG. 7 is a perspective view in use with a possible alternate stand.

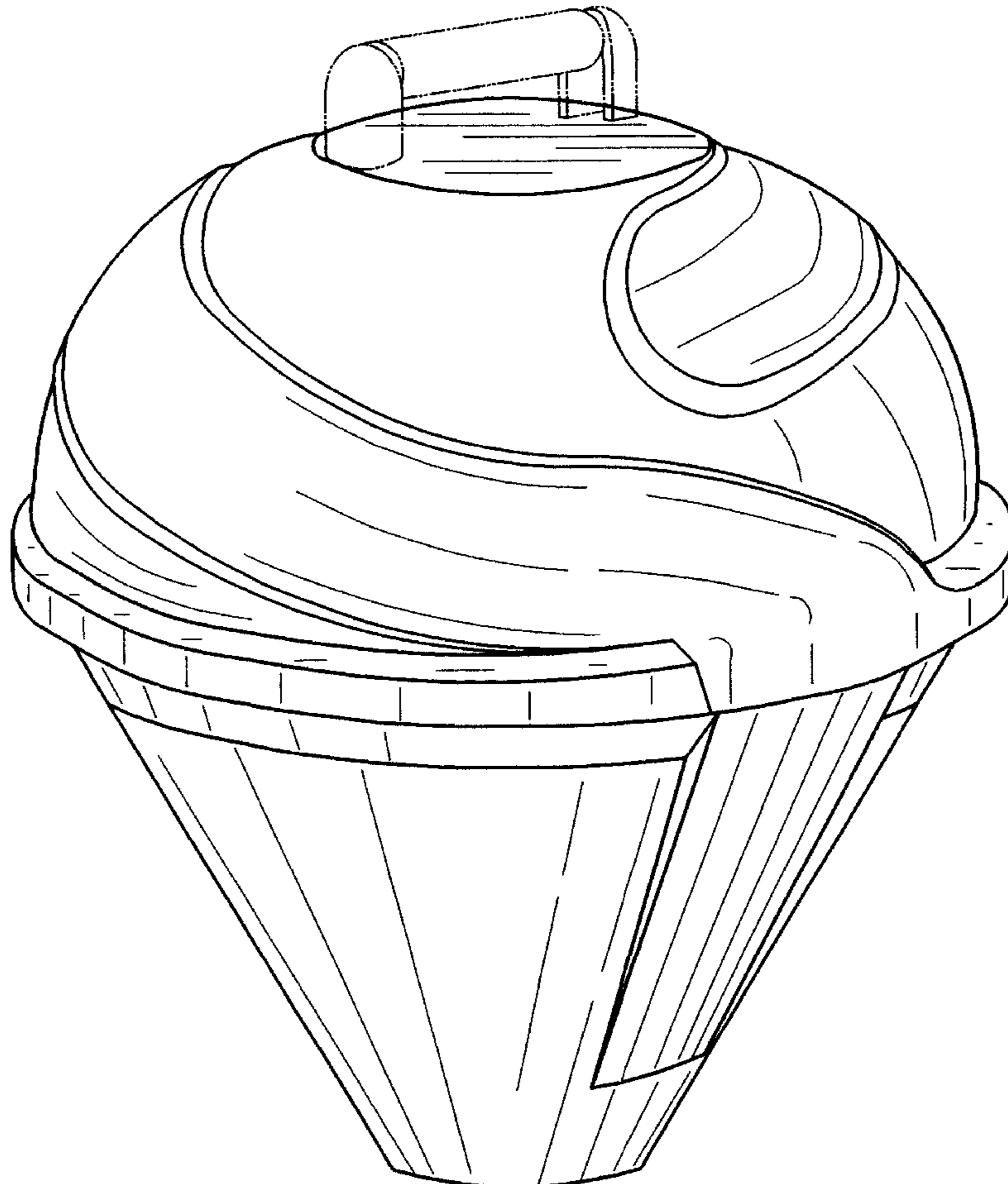
[56] **References Cited**

U.S. PATENT DOCUMENTS

- D. 284,929 8/1986 Schlosser et al. D7/332
- D. 292,163 10/1987 Mashburn et al. D7/337
- D. 341,988 12/1993 Endres D7/337
- D. 352,865 11/1994 Pai D7/337

The details shown in broken lines in FIGS. 1,2 and 4-7 are for illustrative purposes only and form no part of the claimed design.

1 Claim, 7 Drawing Sheets



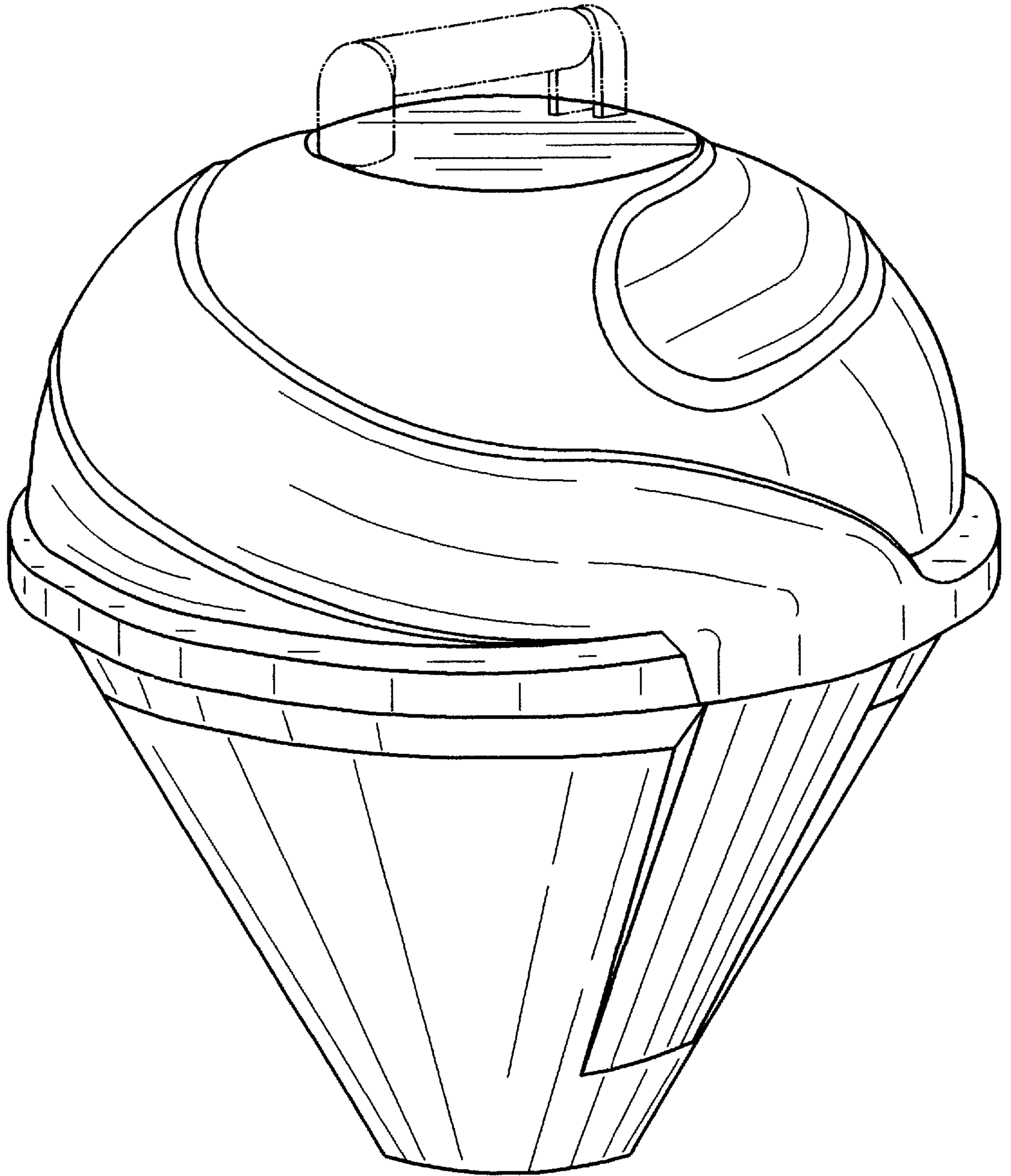


Fig. 1

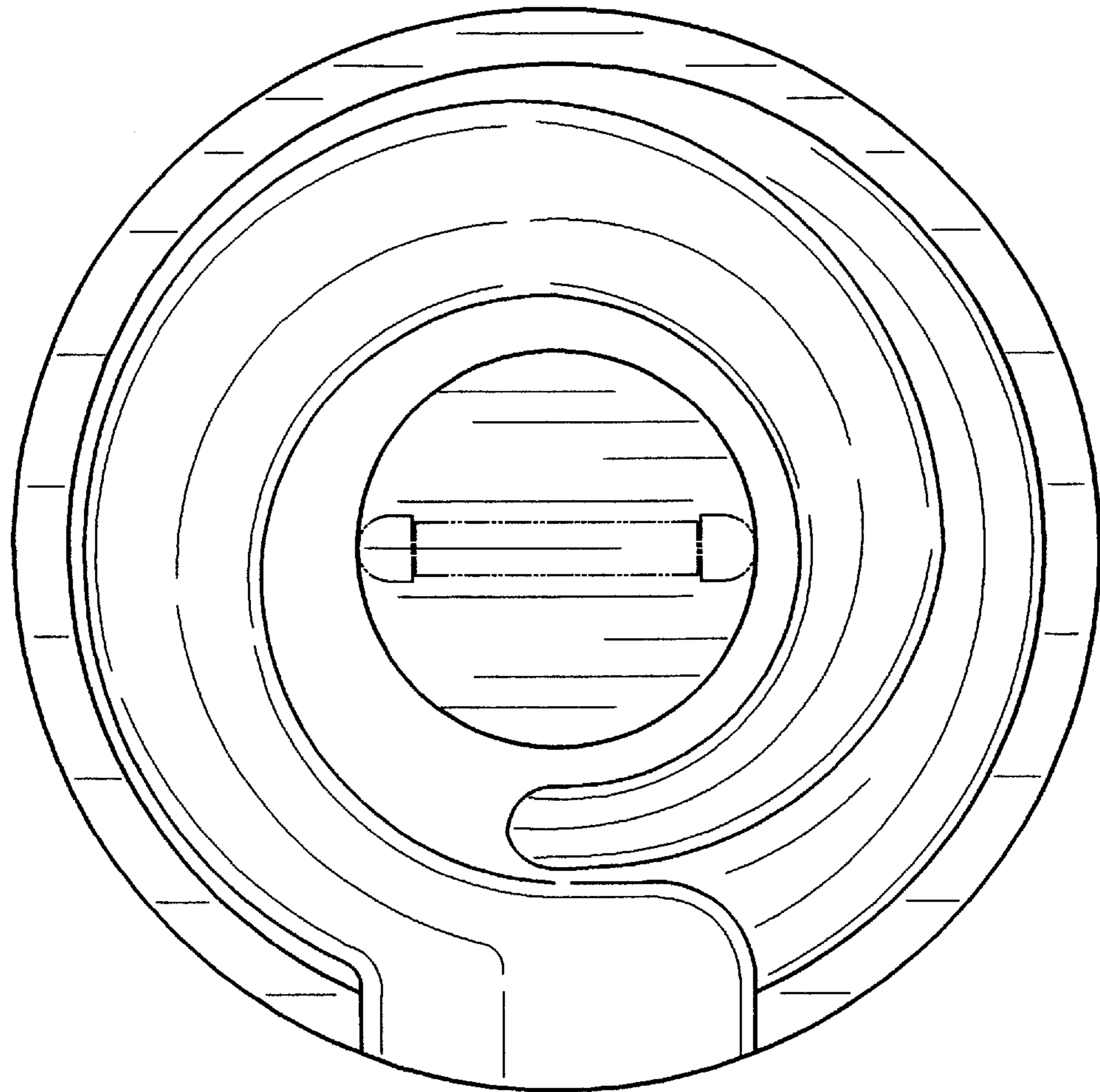


Fig. 2

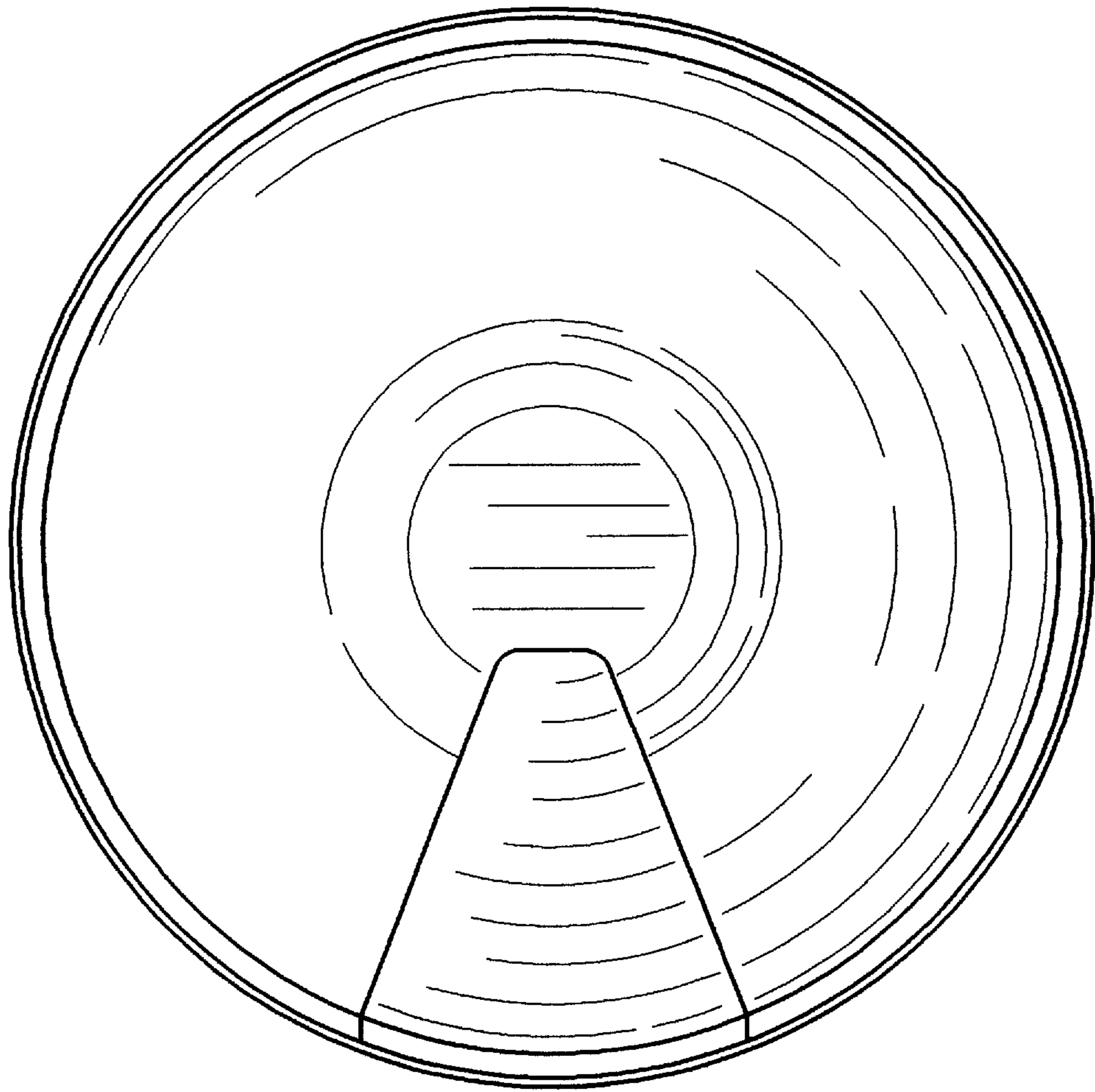


Fig. 3

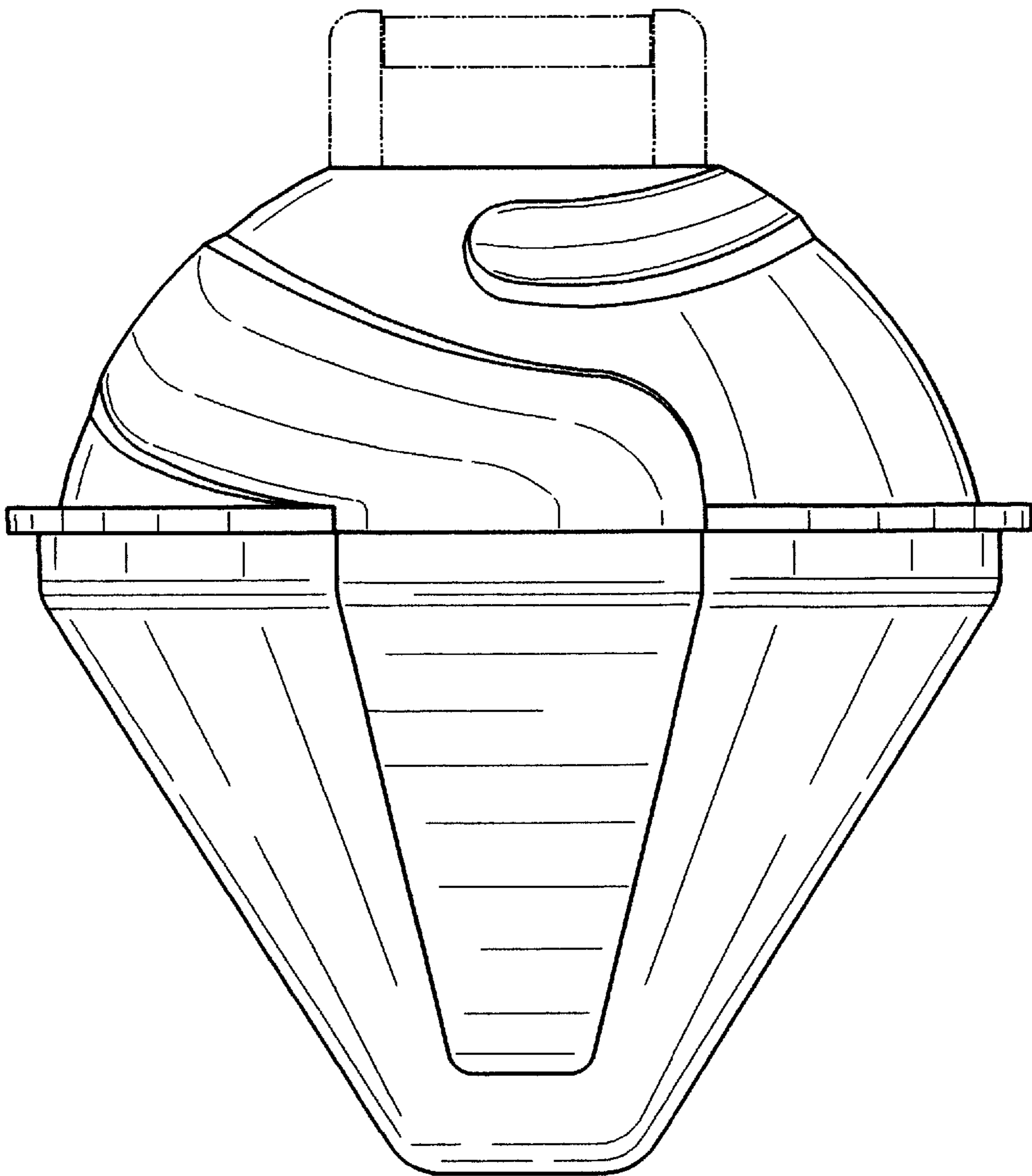


Fig. 4

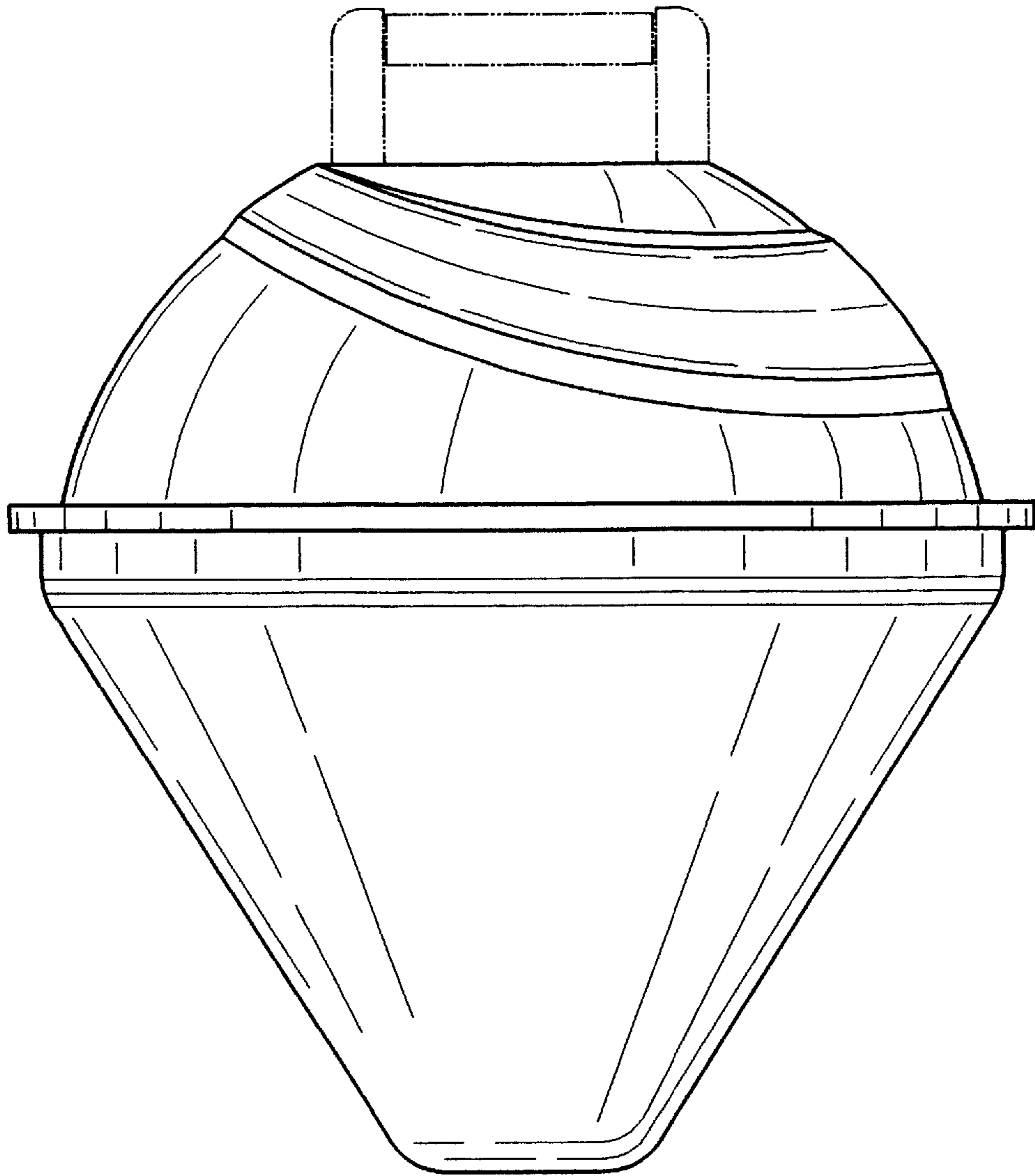


Fig. 5

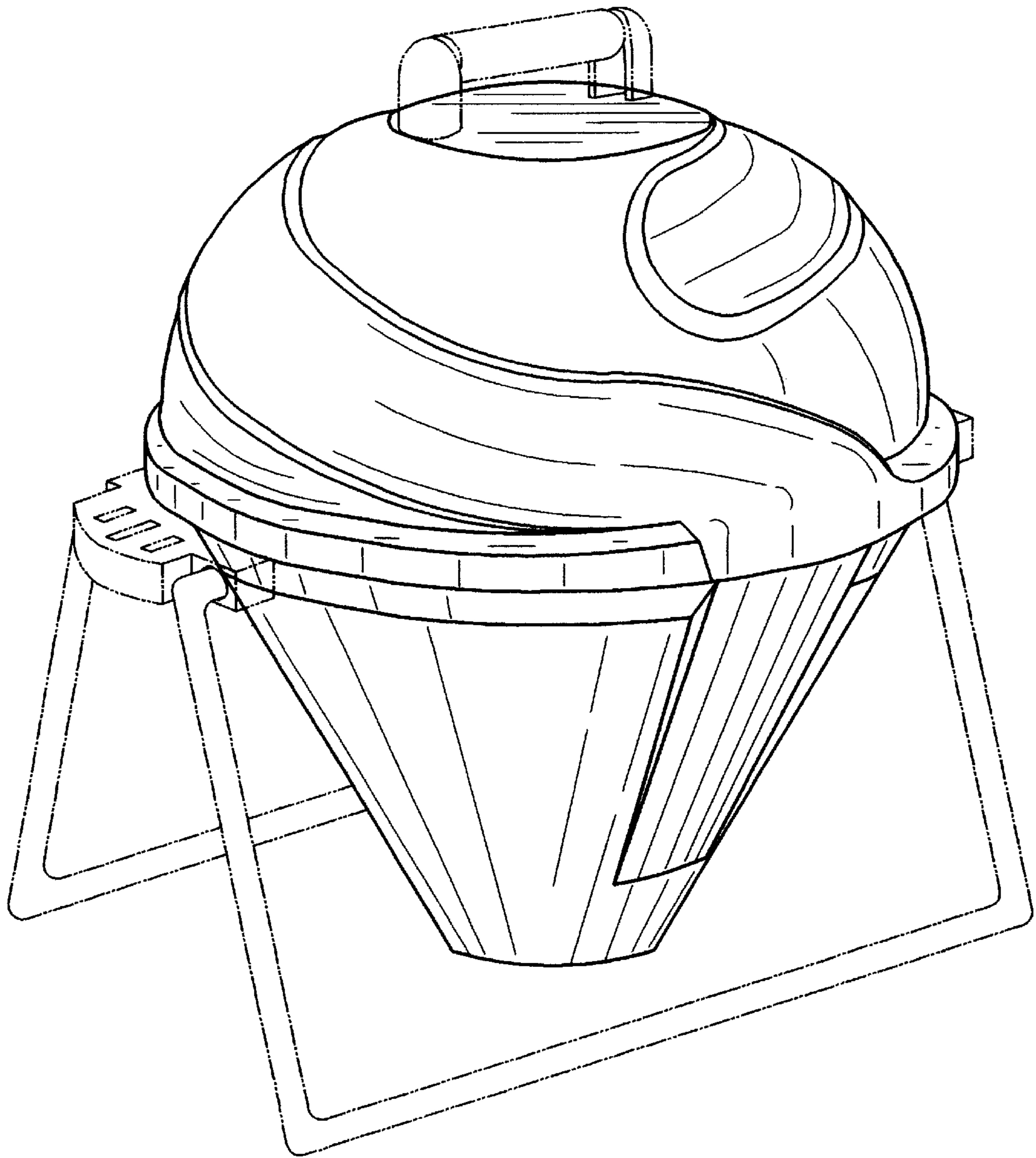


Fig. 6

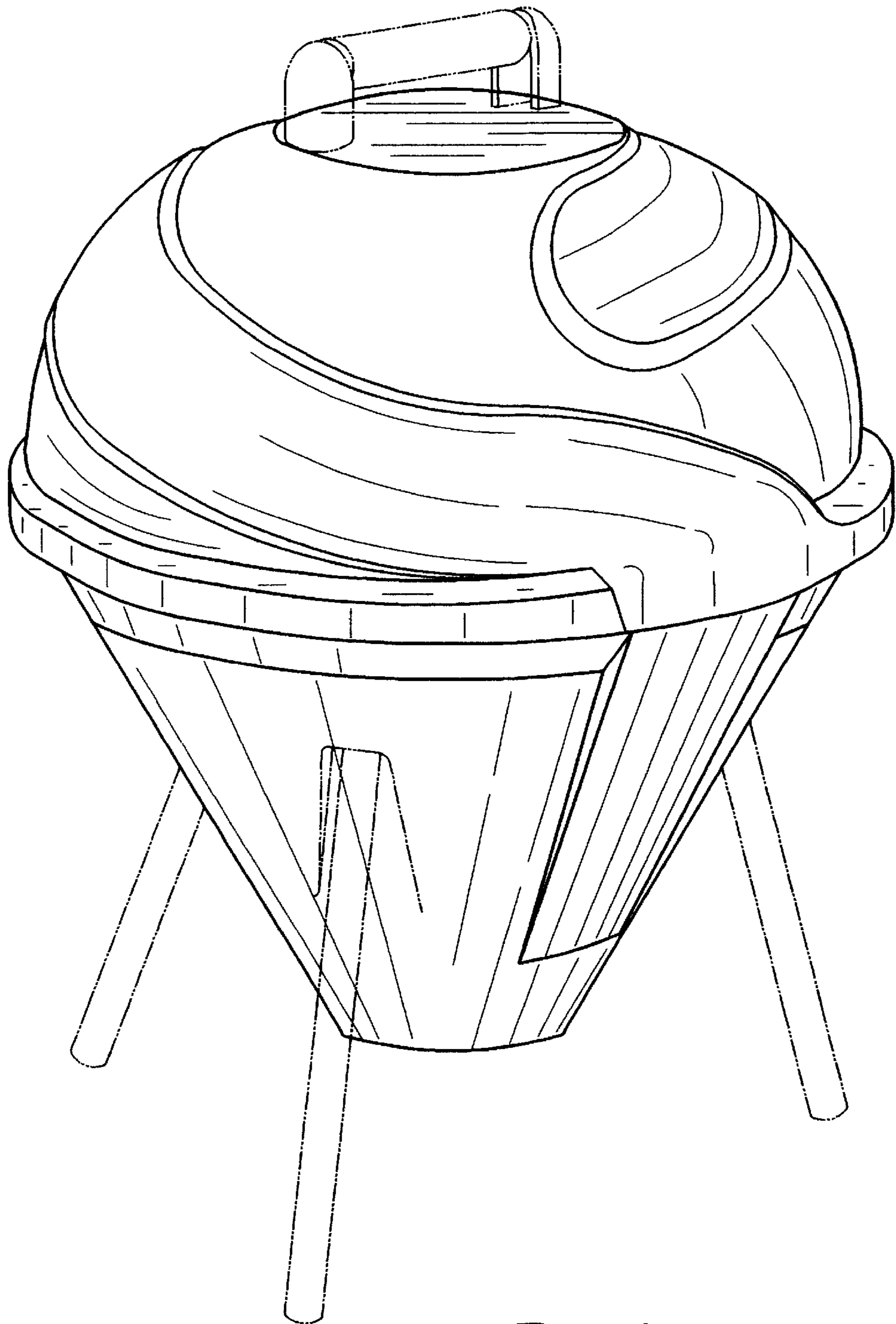


Fig. 7