



US00D402491S

**United States Patent** [19]  
**Tucker**

[11] **Patent Number: Des. 402,491**

[45] **Date of Patent: \*\*Dec. 15, 1998**

[54] **LID HOLDER**

[76] Inventor: **Lyle Tucker**, 250 W. Center, Aurora,  
Utah 84620

[\*\*] Term: **14 Years**

[21] Appl. No.: **80,194**

[22] Filed: **Dec. 4, 1997**

[51] **LOC (6) Cl. .... 08-08**

[52] **U.S. Cl. .... D6/513; D6/566**

[58] **Field of Search** ..... D6/573, 566; 206/576,  
206/320, 349, 553; 211/13.1, 41.1, 41.3,  
41.4, 71, 86-89, 106, 181.1

[56] **References Cited**

**U.S. PATENT DOCUMENTS**

- D. 194,231 12/1962 Hill ..... D6/566
- D. 344,868 3/1994 Martinell ..... D5/566 X
- D. 373,040 8/1996 Milroy ..... D6/566

- 4,037,737 7/1977 Stevens et al. .... 211/181.1
- 4,421,238 12/1983 Patton ..... 211/86
- 4,850,556 7/1989 Otani et al. .... 211/181.1 X

*Primary Examiner*—Brian N. Vinson

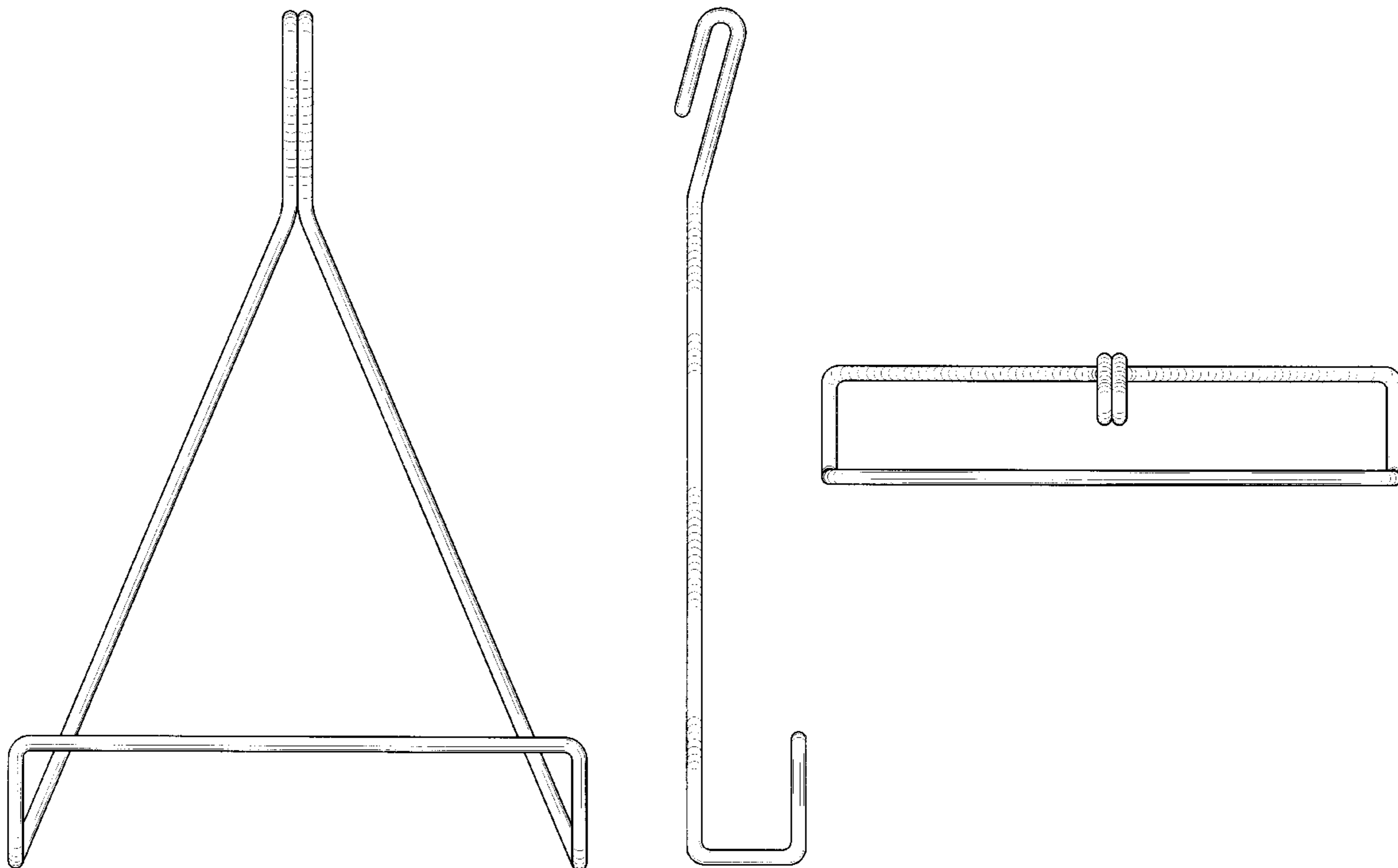
[57] **CLAIM**

The ornamental design for a lid holder, as shown.

**DESCRIPTION**

FIG. 1 is a front elevational view of the lid holder of the present invention;  
 FIG. 2 is a back elevational view of the lid holder of FIG. 1;  
 FIG. 3 is a left side elevational view of the lid holder of FIG. 1;  
 FIG. 4 is a right side elevational view of the lid holder of FIG. 1;  
 FIG. 5 is a top plan view of the lid holder of FIG. 1; and,  
 FIG. 6 is a bottom plan view of the lid holder of FIG. 1.

**1 Claim, 3 Drawing Sheets**



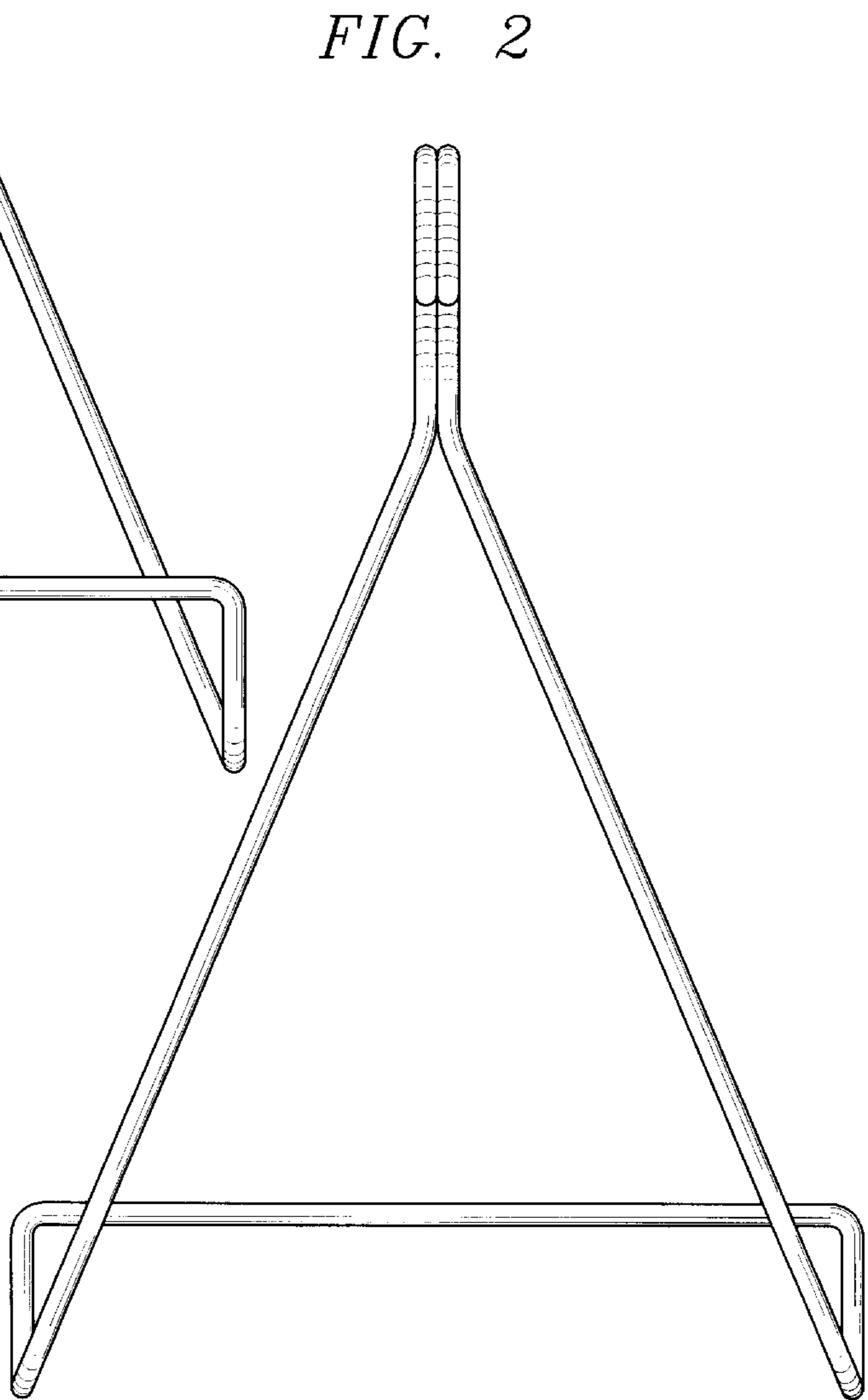
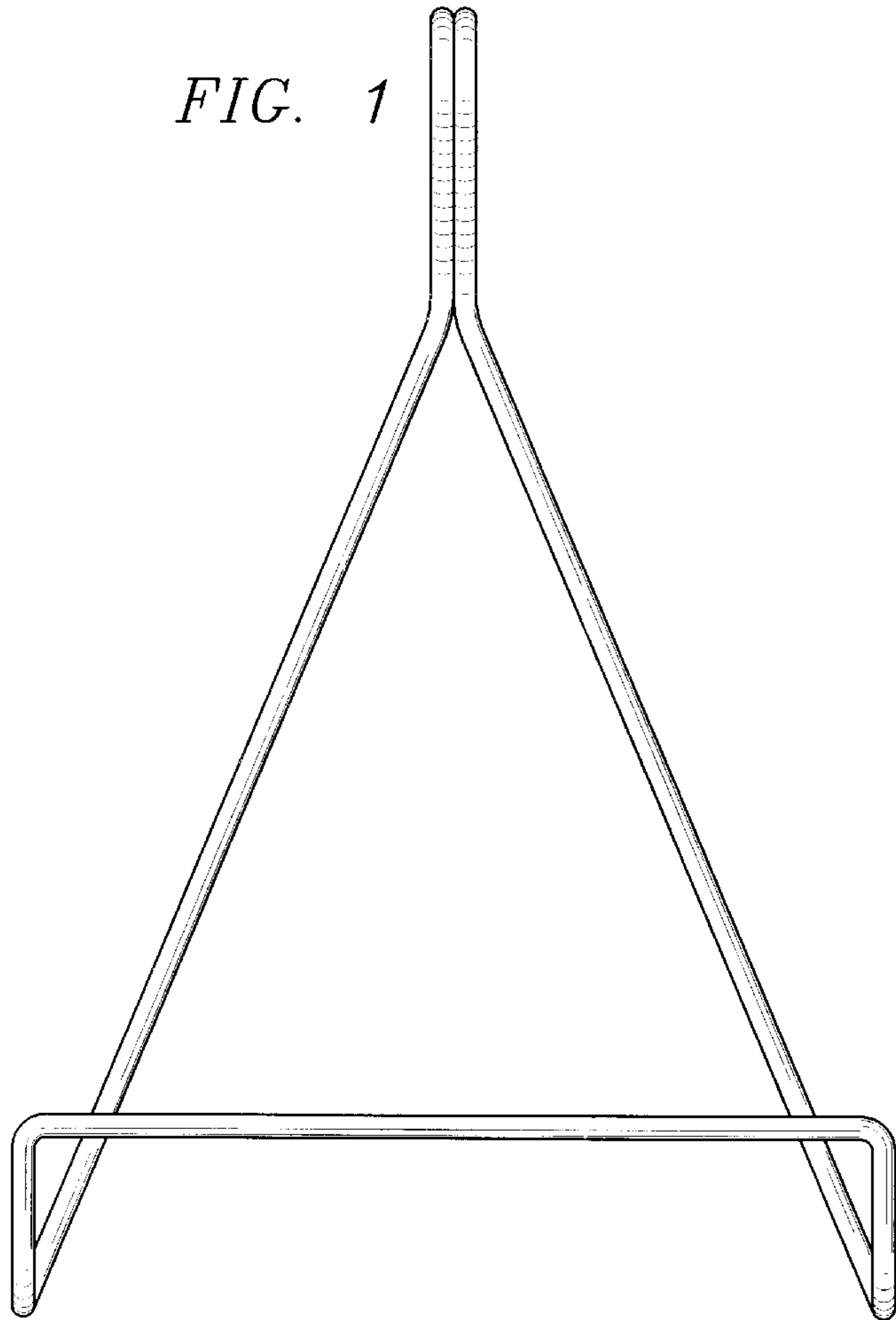


FIG. 3

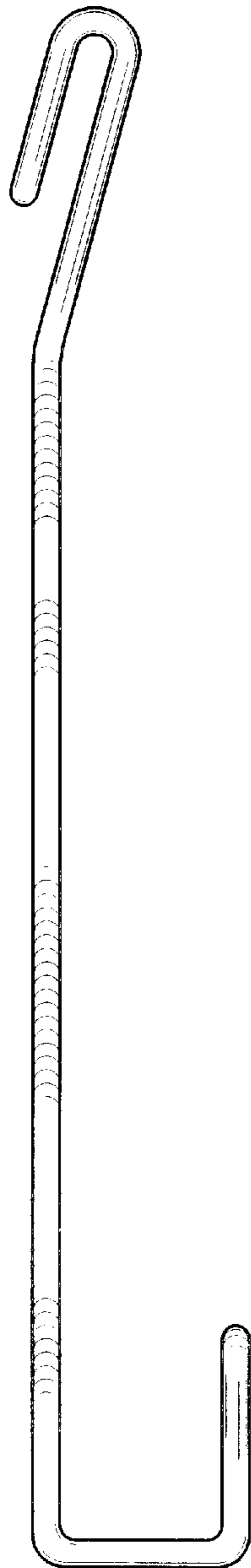
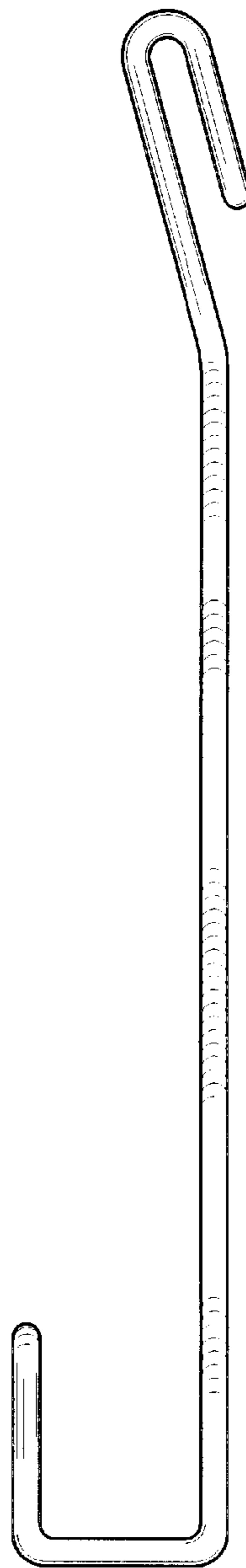
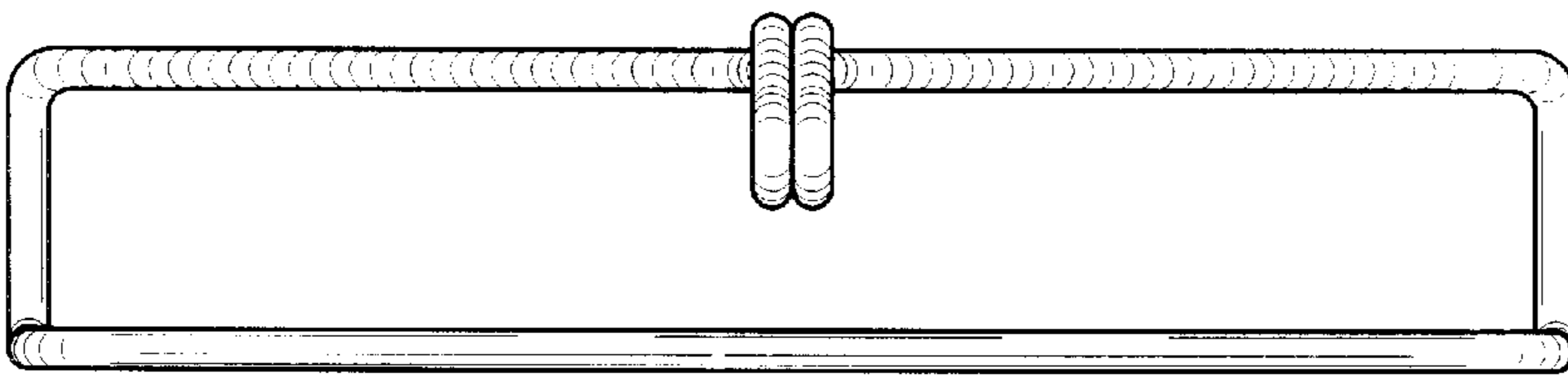


FIG. 4



*FIG. 5*



*FIG. 6*

