



US00D402490S

United States Patent [19]
Parham

[11] **Patent Number: Des. 402,490**

[45] **Date of Patent: **Dec. 15, 1998**

[54] **MERCHANDISING DISPLAY CHANNEL FRONT**

[75] Inventor: **Dennis E. Parham**, Kennesaw, Ga.

[73] Assignee: **The Mead Corporation**, Dayton, Ohio

[**] Term: **14 Years**

[21] Appl. No.: **79,090**

[22] Filed: **Nov. 7, 1997**

[51] **LOC (6) Cl.** **06-04**

[52] **U.S. Cl.** **D6/509; D6/408**

[58] **Field of Search** D6/408, 509, 510,
D6/511, 466-468, 515, 475-477, 479; 312/36,
45, 128, 42; 211/184, 49.1, 59.2, 59.3,
59.4, 74, 189, 194; 221/123, 282, 286

[56] **References Cited**

U.S. PATENT DOCUMENTS

D. 290,790	7/1987	Nathan et al.	D6/408
D. 295,813	5/1988	Rowse et al.	D6/408
2,218,444	10/1940	Vineyard	211/49
3,104,137	9/1963	Cohen	312/71
4,106,668	8/1978	Gebhardt et al.	221/131
4,395,955	8/1983	Pfeifer	108/61
4,598,828	7/1986	Young et al.	211/59.2
4,785,943	11/1988	Deffner et al.	211/59.2
4,801,025	1/1989	Flum et al.	211/59.2 X

5,351,838	10/1994	Flum	211/59.2
5,366,099	11/1994	Schmid	211/59.3
5,531,336	7/1996	Parham et al.	211/59.2 X
5,645,176	7/1997	Jay	211/59.2

OTHER PUBLICATIONS

Advertisement brochure for the Mead product designated as "Ultra-Tracker tray", Aug. 1997.

Primary Examiner—James Gandy
Assistant Examiner—Linda Brooks
Attorney, Agent, or Firm—Tsugihiko Suzuki

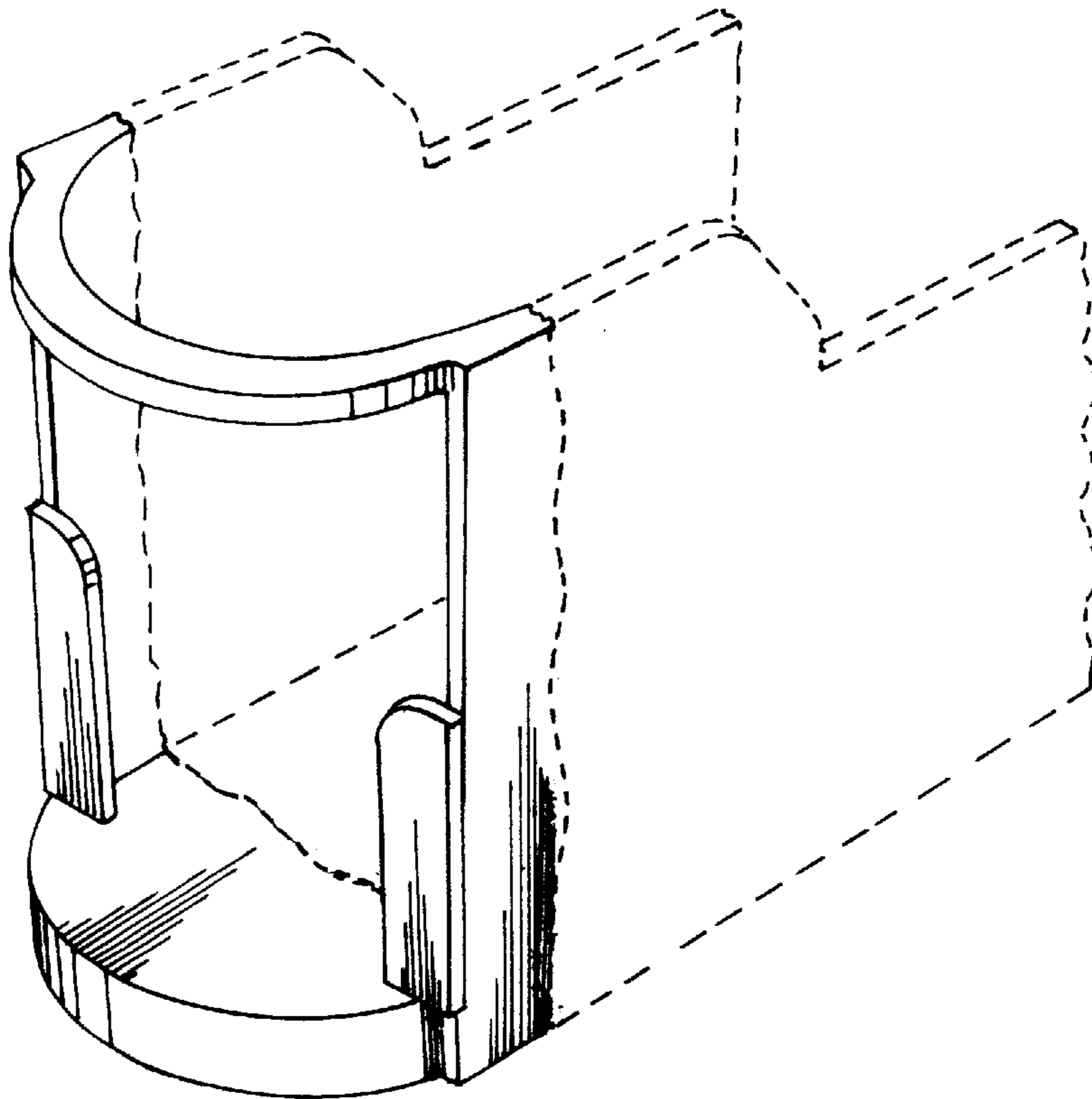
[57] **CLAIM**

The ornamental design for a merchandising display channel front, as shown and described.

DESCRIPTION

FIG. 1 is a perspective view of a merchandising display channel front showing our new design; FIG. 2 is a front elevation thereof; FIG. 3 is a right side elevation thereof; the left side elevation being a mirror image thereof; FIG. 4 is a top plan view thereof; and, FIG. 5 is a bottom plan view thereof. The broken lines showing the channel body are for illustrative purposes only and form no part of the claimed design. The broken lines which define the boundaries of the merchandising display channel front form no part thereof.

1 Claim, 2 Drawing Sheets



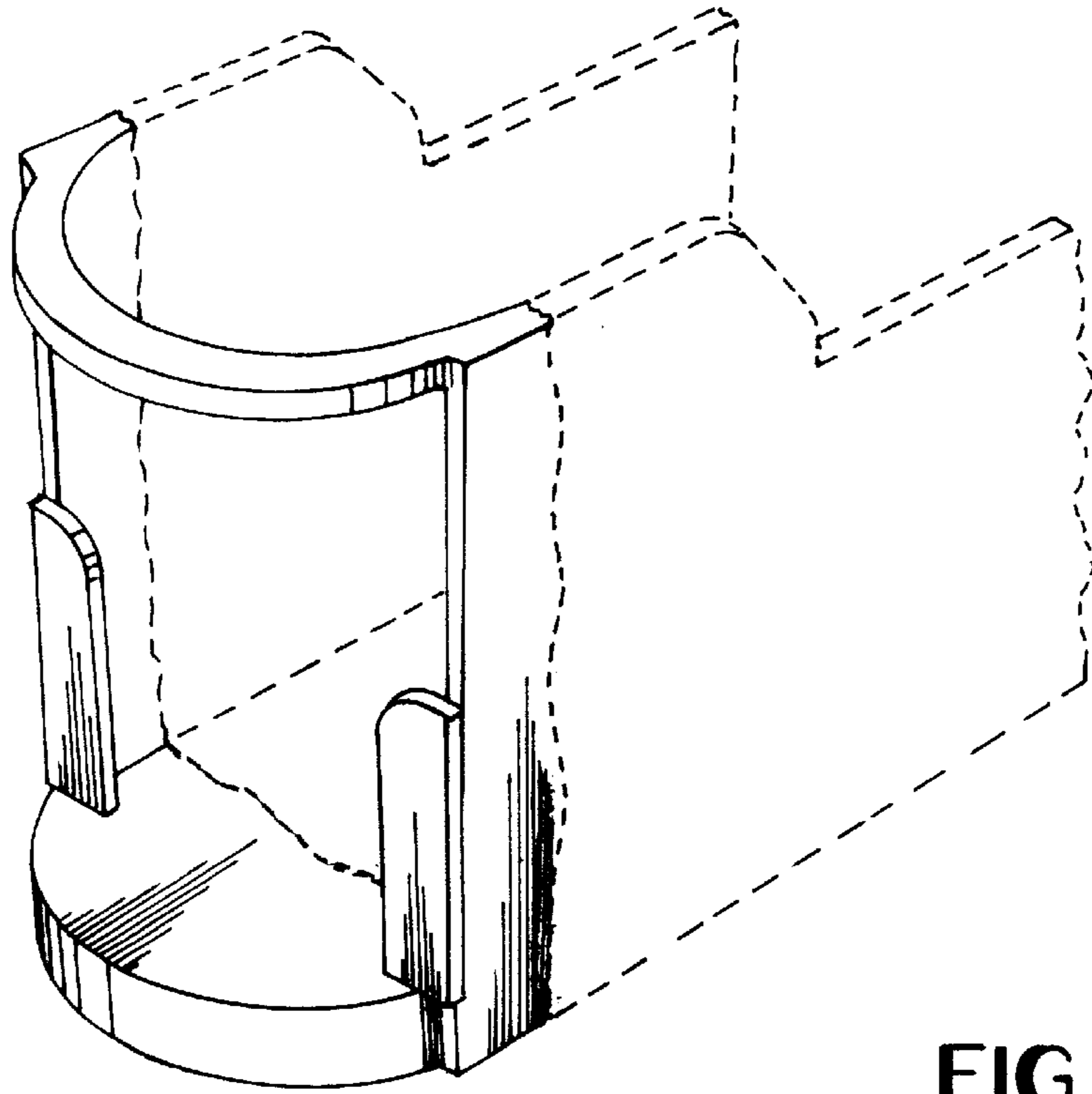


FIG. 1

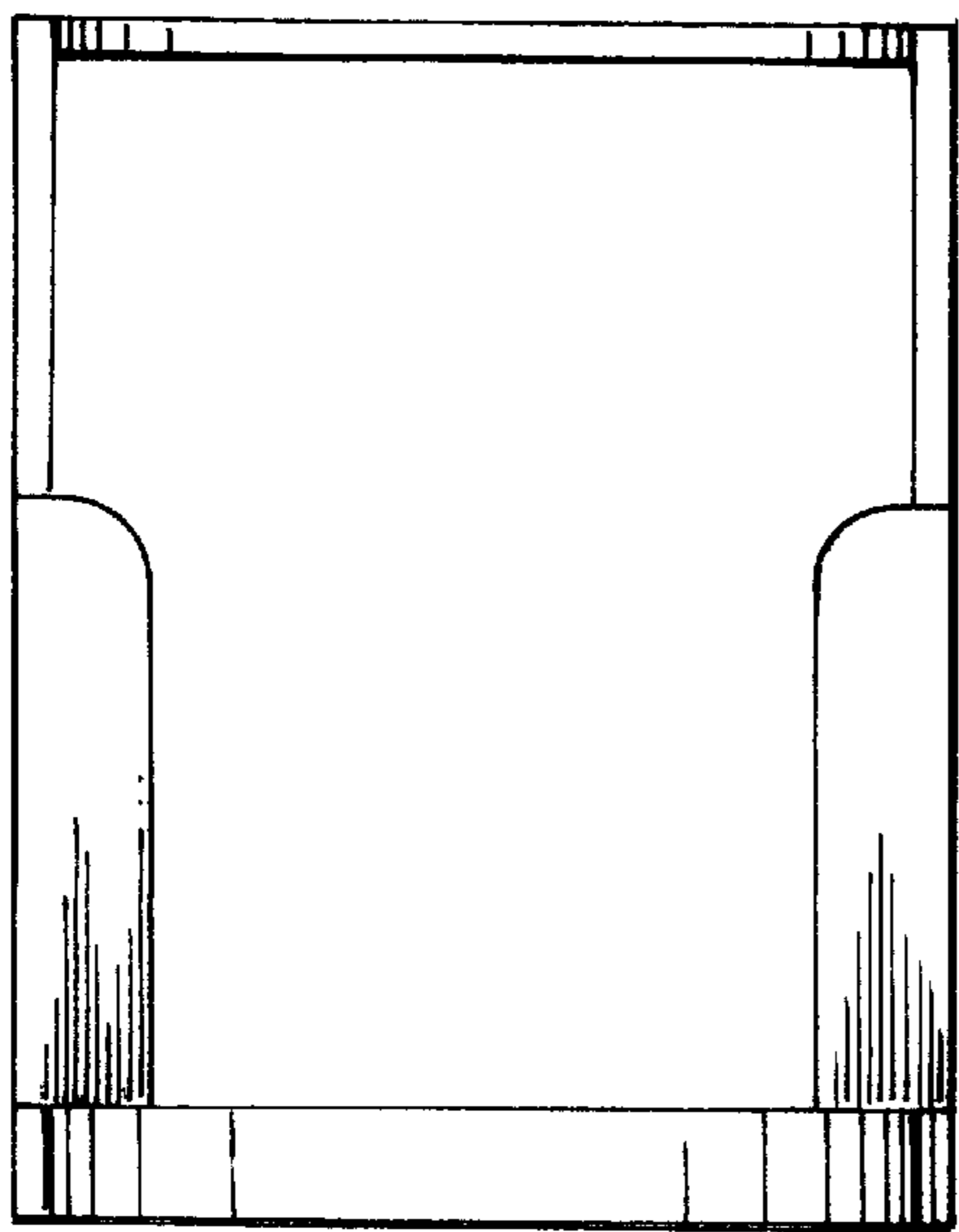


FIG. 2

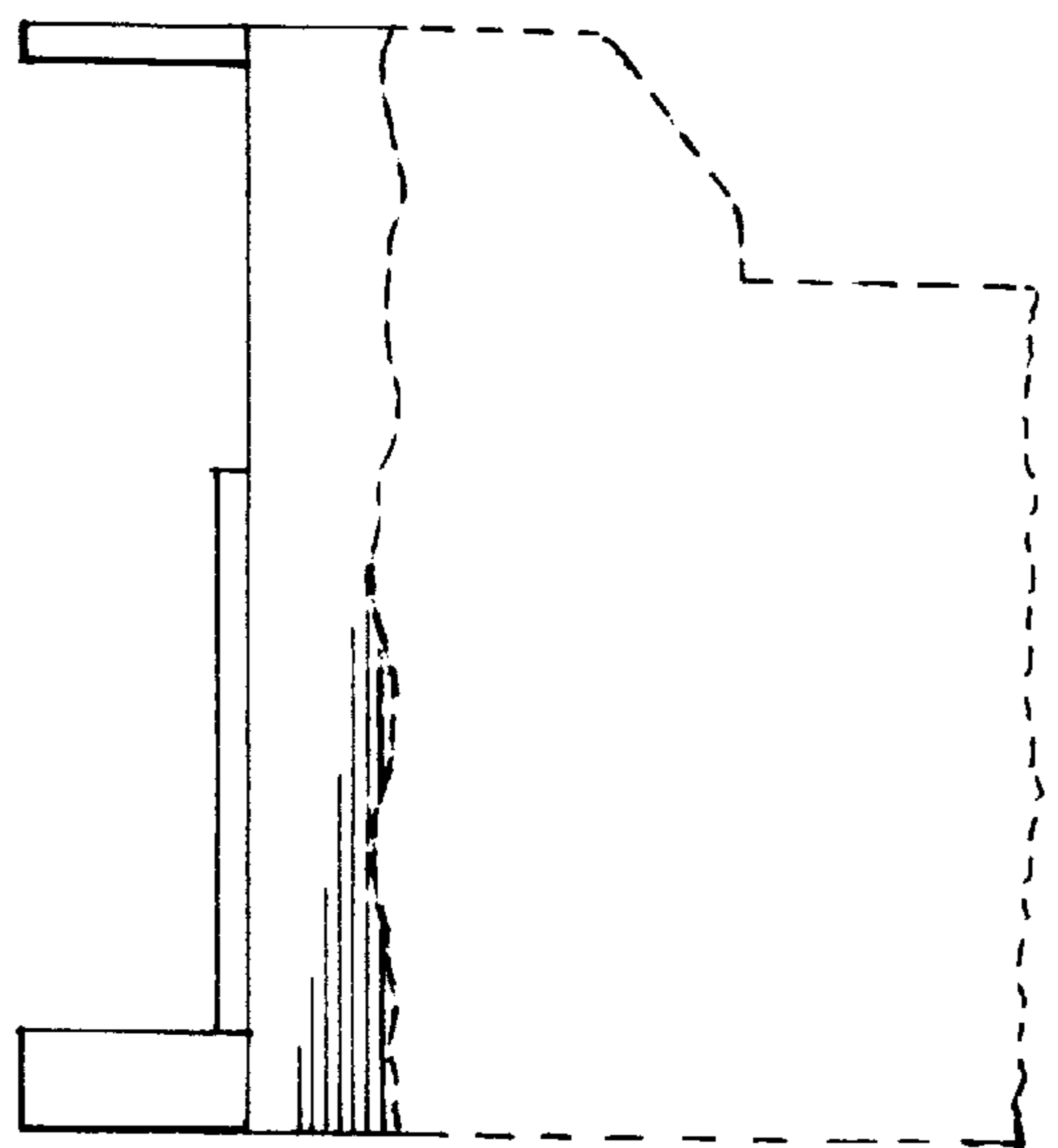


FIG. 3

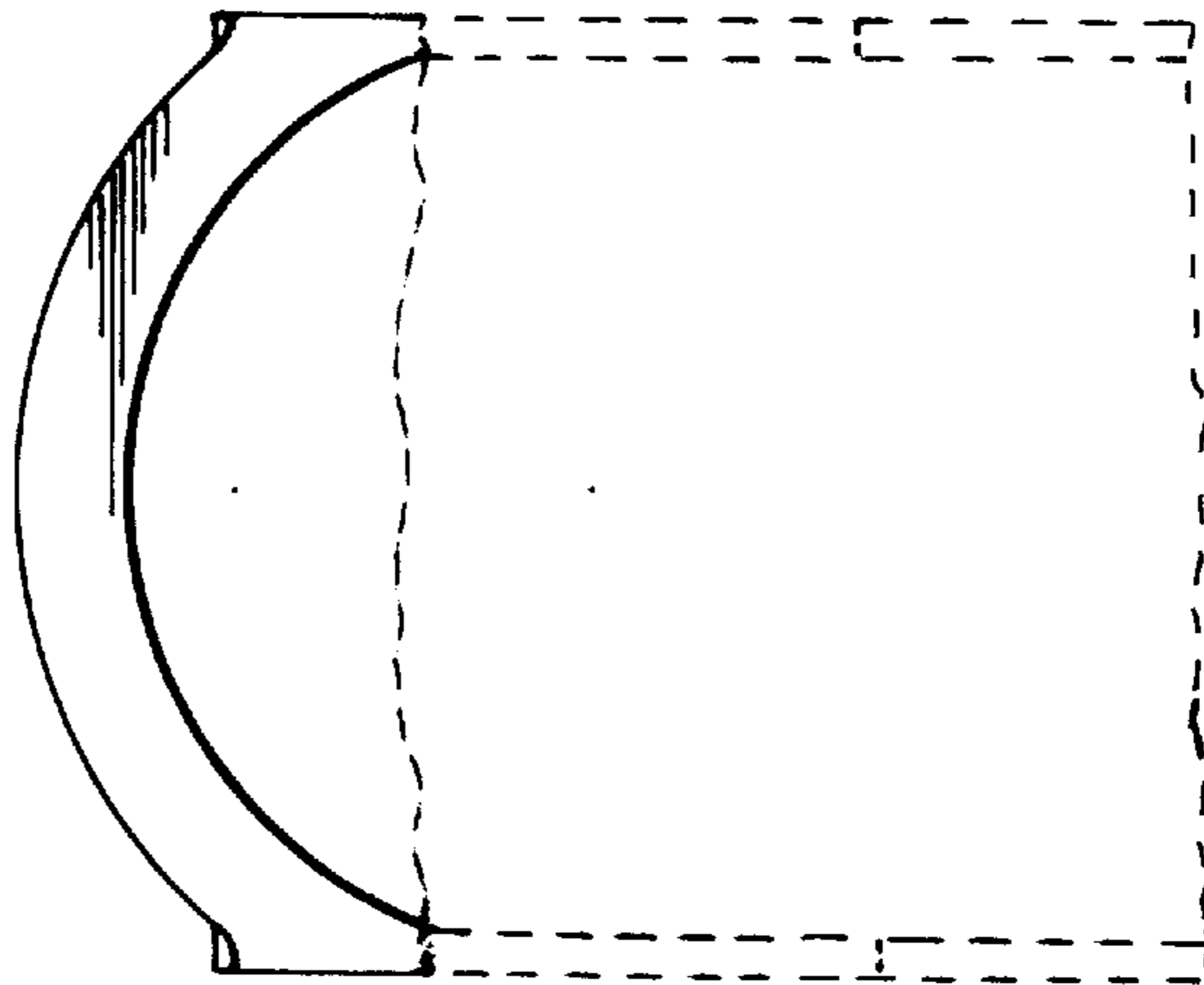


FIG. 4

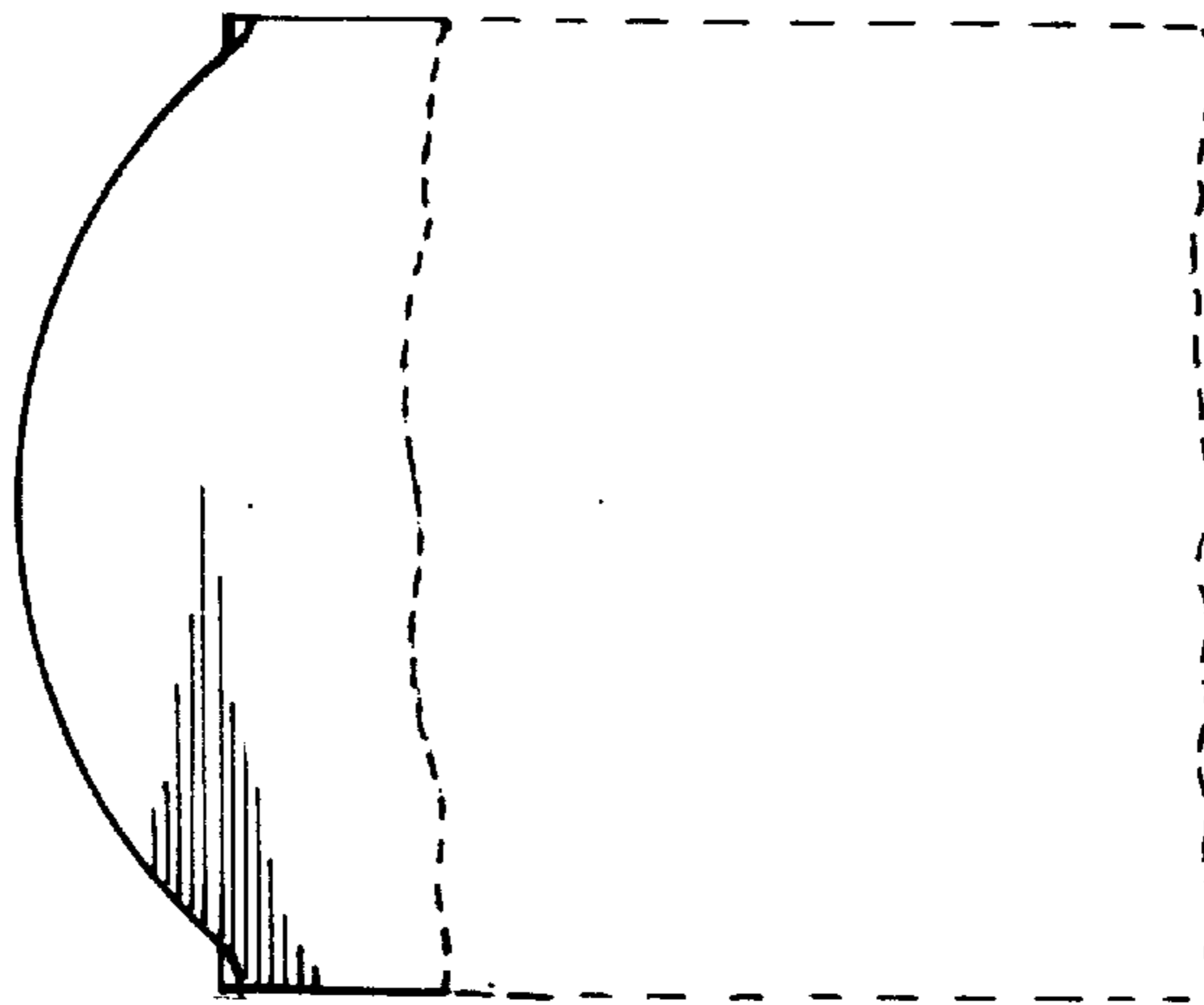


FIG. 5