



US00D402489S

United States Patent [19]

Levy

[11] **Patent Number: Des. 402,489**

[45] **Date of Patent: **Dec. 15, 1998**

[54] **DISPLAY AND SALES EQUIPMENT**

[76] Inventor: **Eliezer Levy**, Kasteelstraat 49, 1650 Beersel, Bulgaria

[**] Term: **14 Years**

[21] Appl. No.: **63,872**

[22] Filed: **Dec. 17, 1996**

[30] **Foreign Application Priority Data**

Jun. 19, 1996 [XH] Hague Agreement DM/036714

[51] **LOC (6) Cl. 07-07**

[52] **U.S. Cl. D6/515**

[58] **Field of Search** D6/515-518, 513; D7/590; D20/1, 4, 7; 206/736, 822; 221/282, 283

[56] **References Cited**

U.S. PATENT DOCUMENTS

D. 186,725 11/1959 Kelley D20/7

D. 245,257 8/1977 Fischer D6/515
D. 333,681 3/1993 Stern D20/7
D. 372,272 7/1996 Frisch D20/1
D. 372,500 8/1996 Hinton D20/7

Primary Examiner—Brian N. Vinson
Attorney, Agent, or Firm—Rhodes, Coats & Bennett, L.L.P.

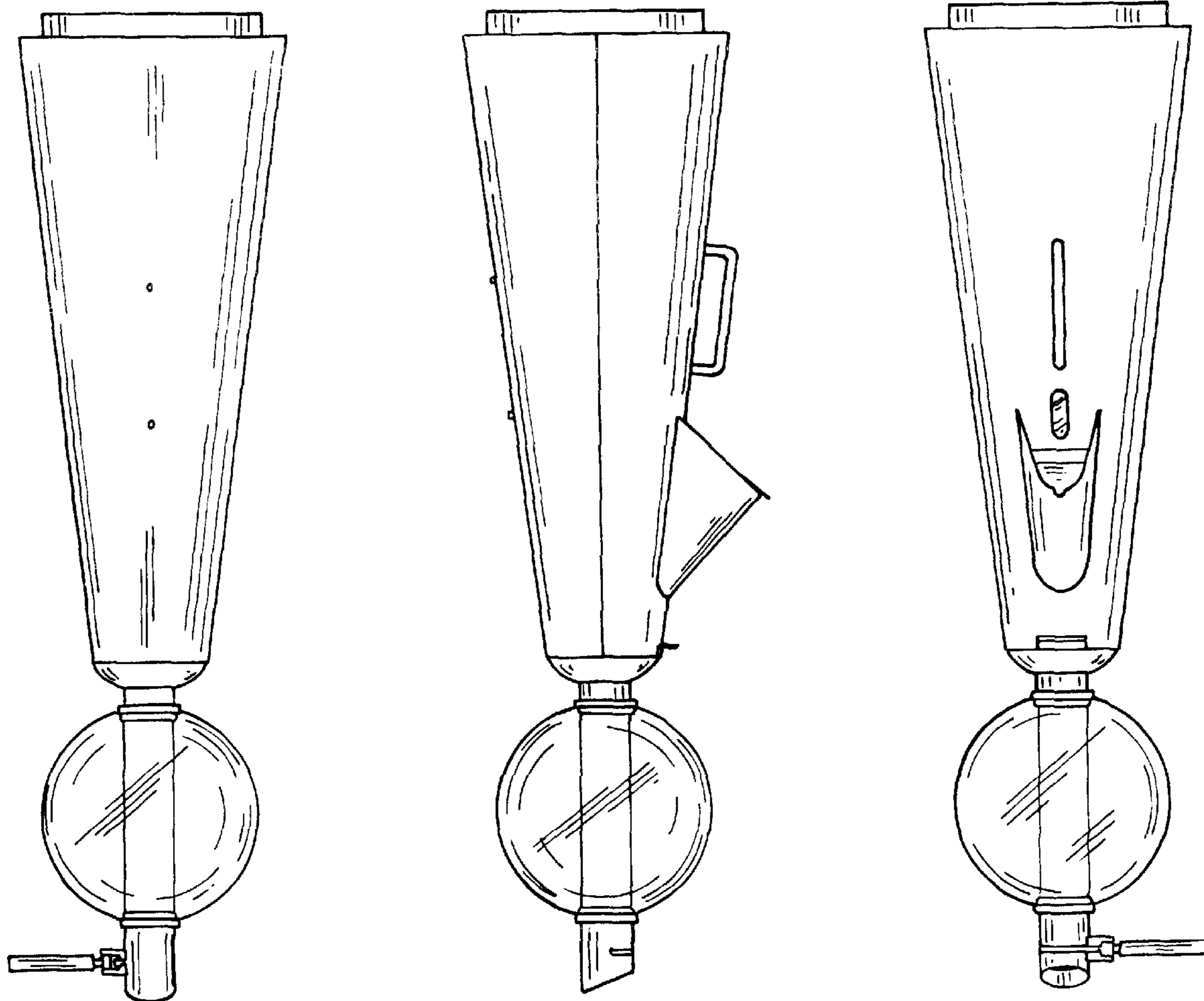
[57] CLAIM

The ornamental design for display and sales equipment, as shown and described.

DESCRIPTION

FIG. 1 is a front elevational view of display and sales equipment showing my new design;
FIG. 2 is a right side elevational view thereof;
FIG. 3 is a rear elevational view thereof; and,
FIG. 4 is a left side elevational view thereof.

1 Claim, 1 Drawing Sheet



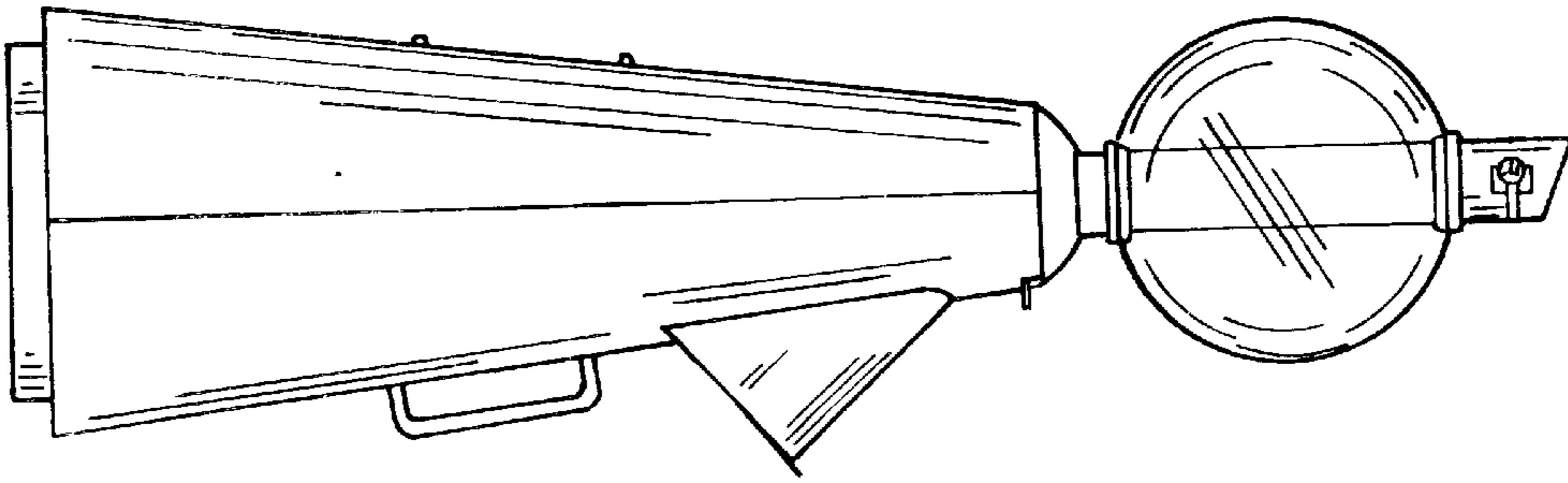


FIG. 4

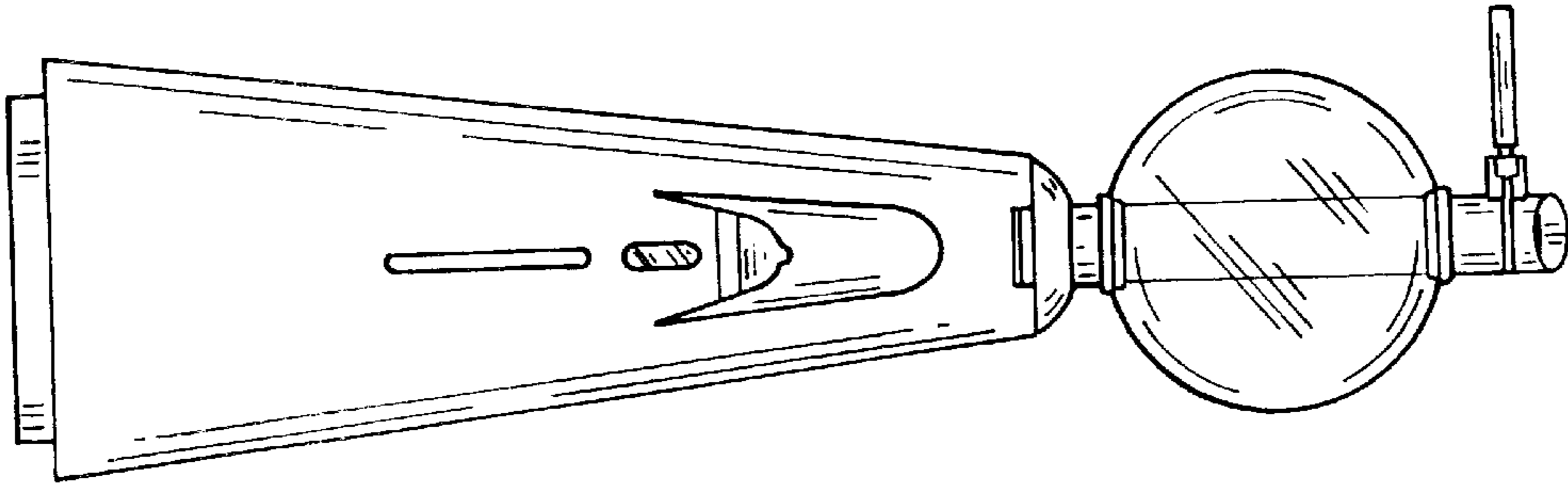


FIG. 3

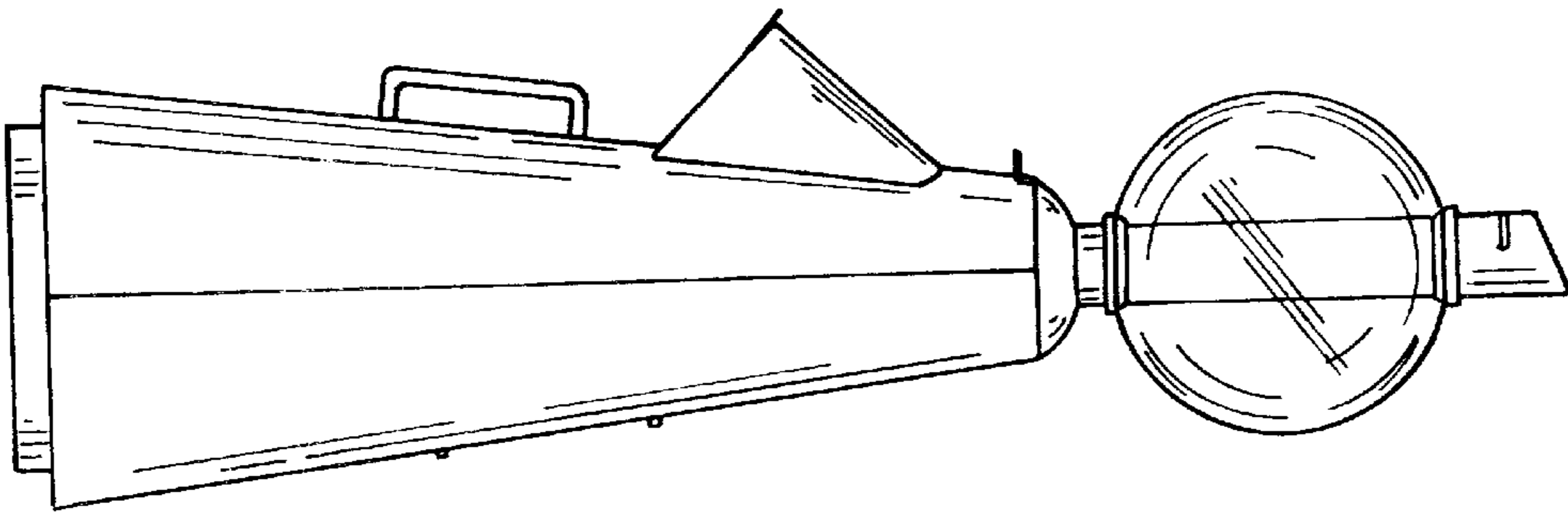


FIG. 2

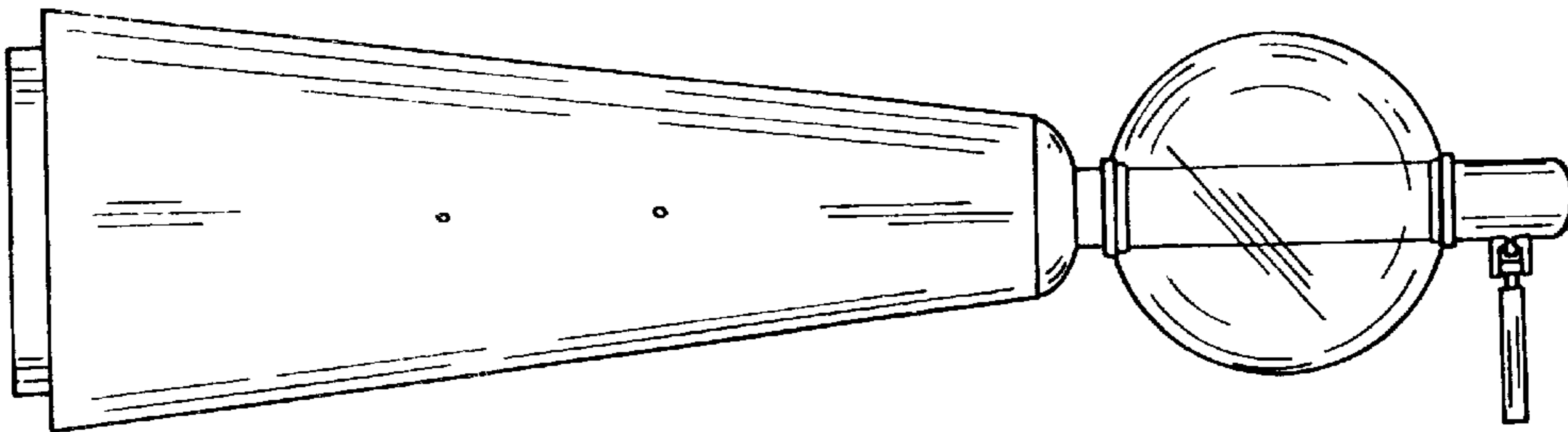


FIG. 1

UNITED STATES PATENT AND TRADEMARK OFFICE
CERTIFICATE OF CORRECTION

PATENT NO. : **Des. 402,489**
DATED : **December 15, 1998**
INVENTOR(S) : **Eliezer Levy**

It is certified that error appears in the above-identified patent and that said Letters Patent is hereby corrected as shown below:

On the cover page the country of the inventor "Bulgaria" should read --Belgium--.

Signed and Sealed this
Twentieth Day of April, 1999



Q. TODD DICKINSON

Acting Commissioner of Patents and Trademarks

Attest:

Attesting Officer