



US00D402486S

# United States Patent [19]

Wada et al.

[11] Patent Number: Des. 402,486

[45] Date of Patent: \*\*Dec. 15, 1998

[54] STORAGE RACK

[75] Inventors: Kei Wada; Phuoc H. Luong, both of Fountain Valley, Calif.

[73] Assignee: Elite Manufacturing Corporation, Gardena, Calif.

[\*\*] Term: 14 Years

[21] Appl. No.: 84,073

[22] Filed: Feb. 23, 1998

[51] LOC (6) Cl. .... 06-04

[52] U.S. Cl. .... D6/479

[58] Field of Search ..... D6/477-479, 407, D6/629; 211/135, 153, 186; 108/59, 91, 161, 184; 312/223.1, 238; 248/174

### [56] References Cited

#### U.S. PATENT DOCUMENTS

D. 139,884	1/1945	McDonald	.....	D6/477
D. 371,919	7/1996	Konecny	.....	D6/479
D. 378,175	2/1997	Hamami	.....	D6/479
D. 381,841	8/1997	Herbst	.....	D6/479
D. 381,842	8/1997	Herbst	.....	D6/479
D. 382,143	8/1997	Herbst	.....	D6/479

Primary Examiner—James Gandy  
Assistant Examiner—Linda Brooks  
Attorney, Agent, or Firm—Stetina Brunda Garred & Brucker

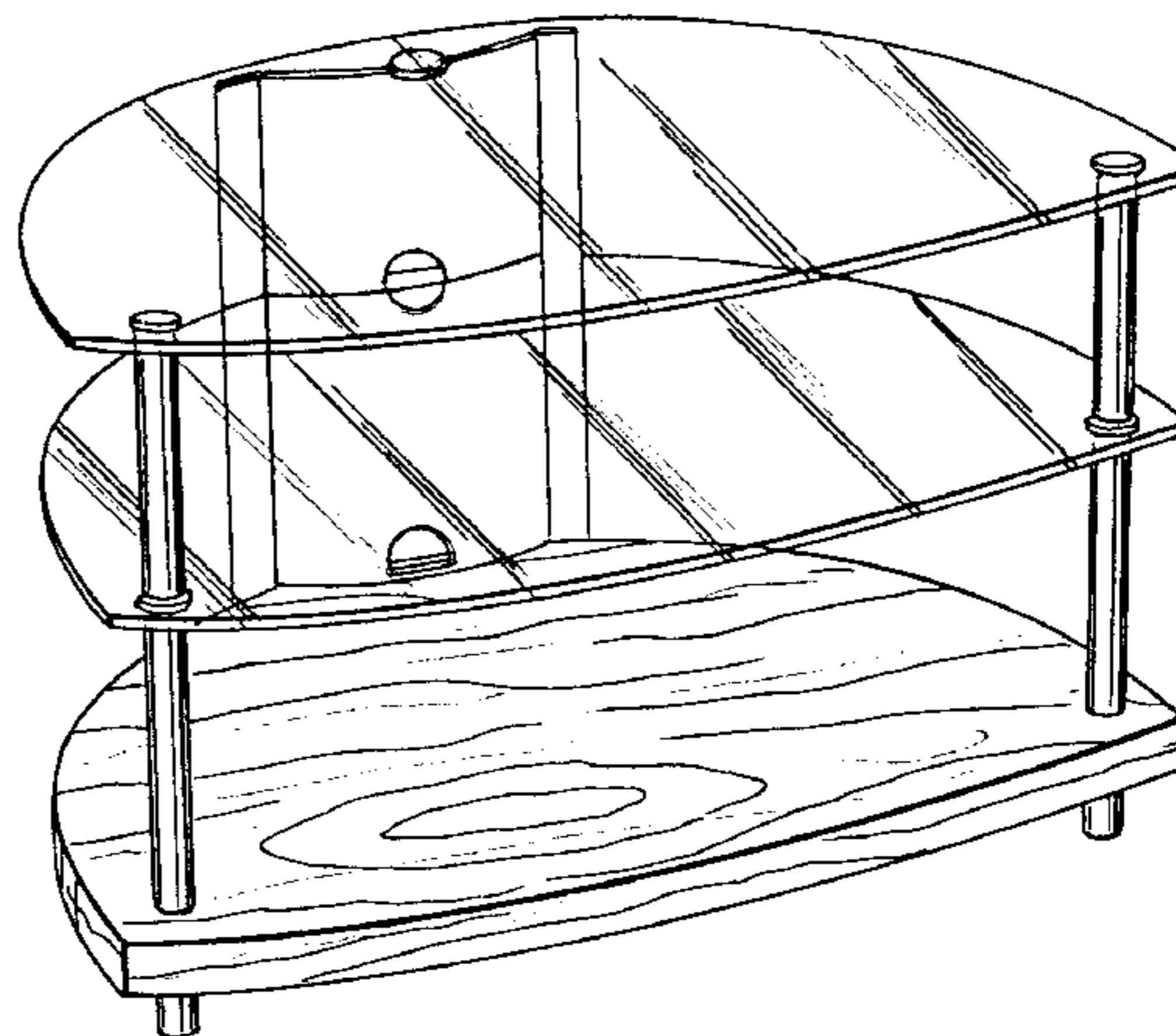
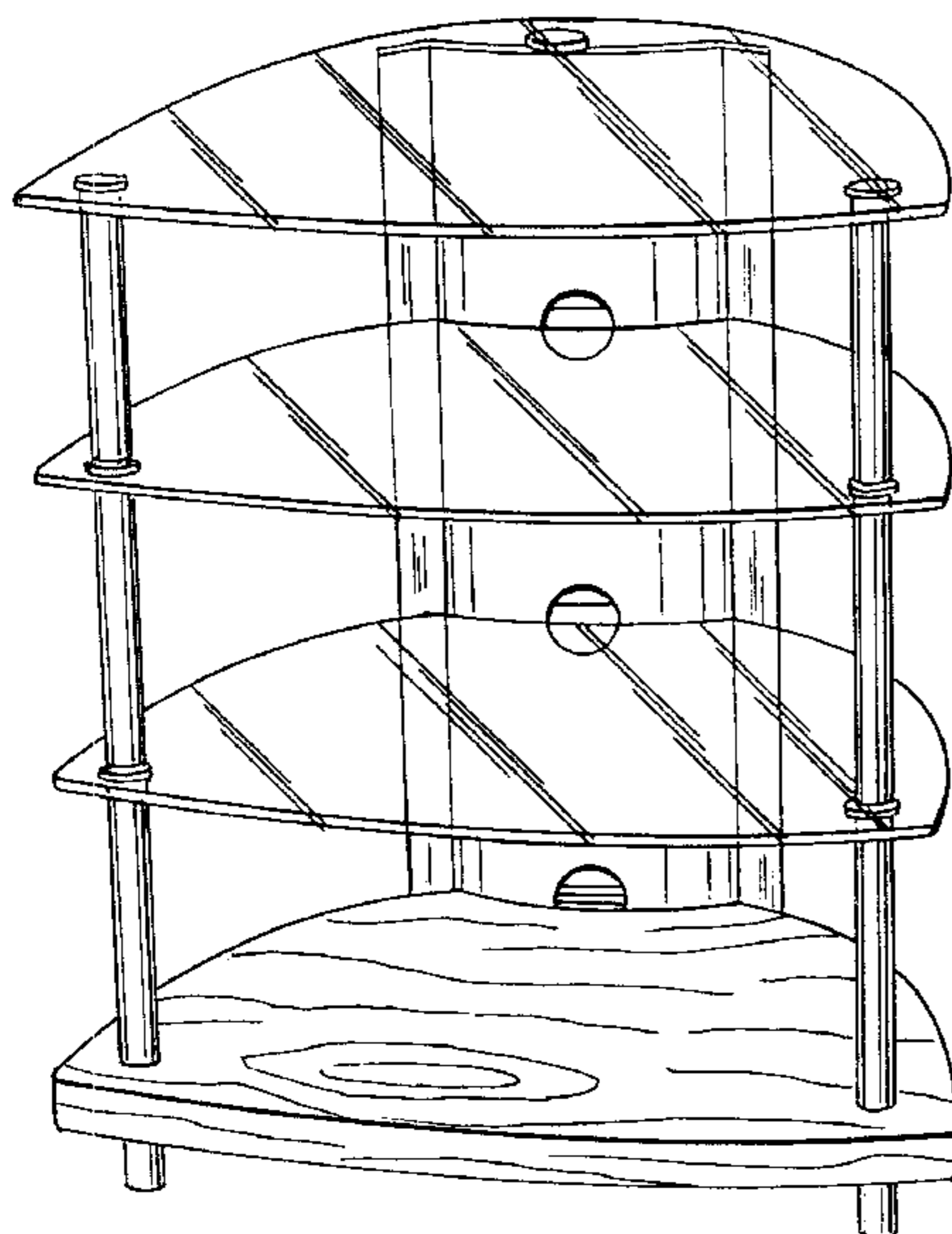
### [57] CLAIM

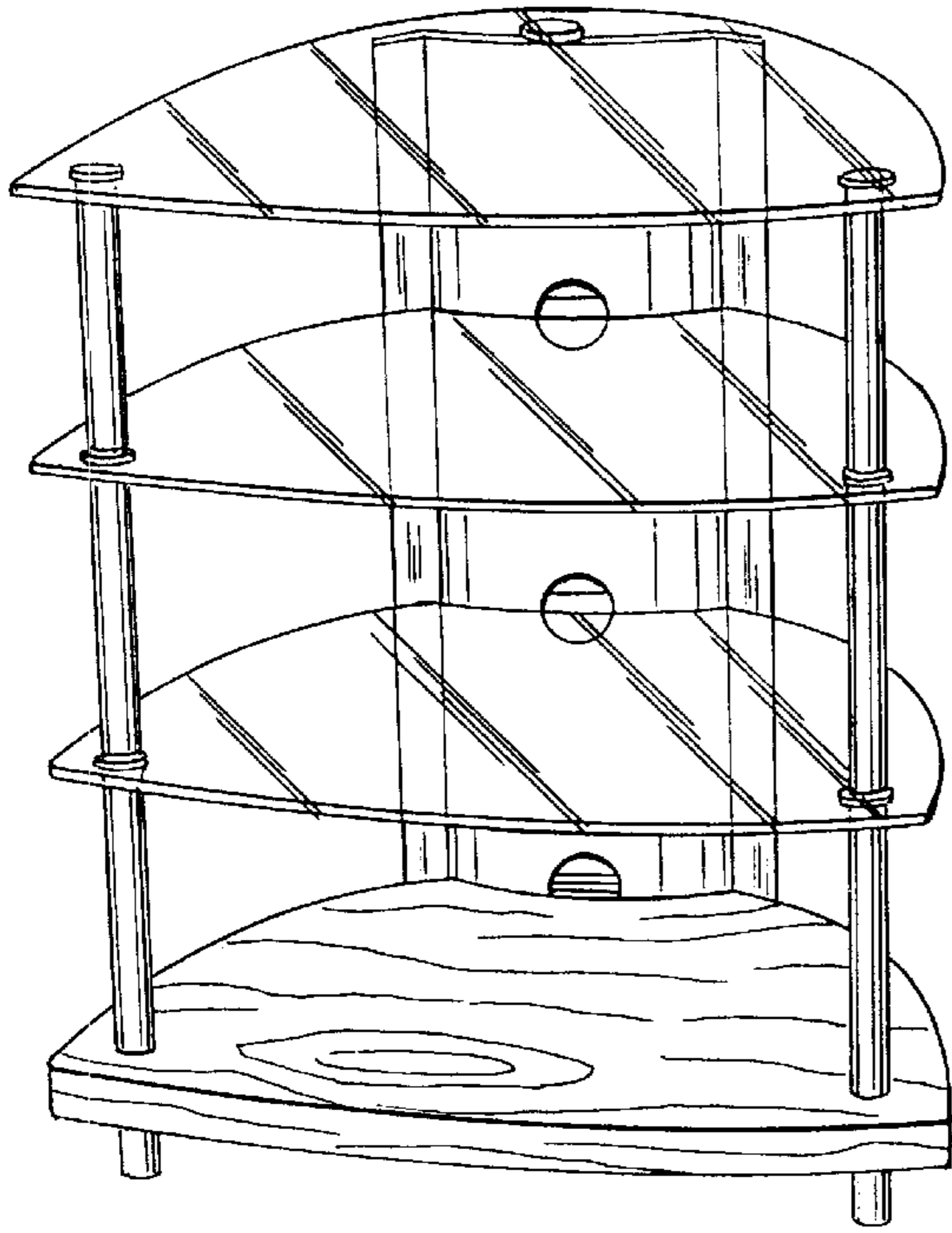
The ornamental design for a storage rack, as shown and described.

### DESCRIPTION

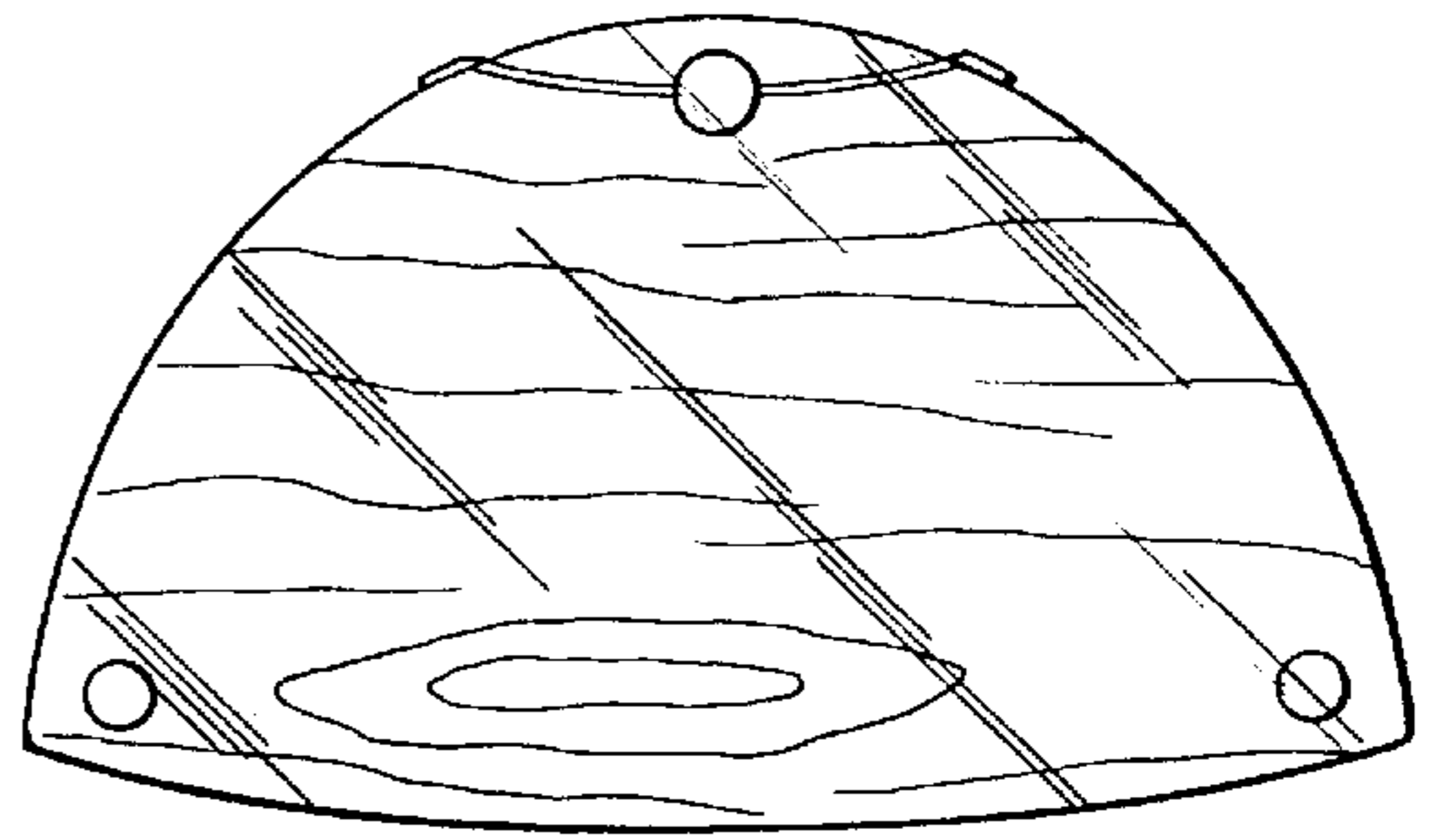
FIG. 1 is a front perspective view of the storage rack of the present invention showing our new design; FIG. 2 is a top plan view thereof; FIG. 3 is a front elevational view thereof; FIG. 4 is a side elevational view thereof, the opposite side being a mirror image; FIG. 5 is a front perspective view of a second embodiment of the storage rack of the present invention showing our new design; FIG. 6 is a top plan view of FIG. 5; FIG. 7 is a front elevational view of FIG. 5; and, FIG. 8 is a side elevational view of FIG. 5, the opposite side being a mirror image. The rear of the storage rack forms no part of the claimed design.

1 Claim, 2 Drawing Sheets

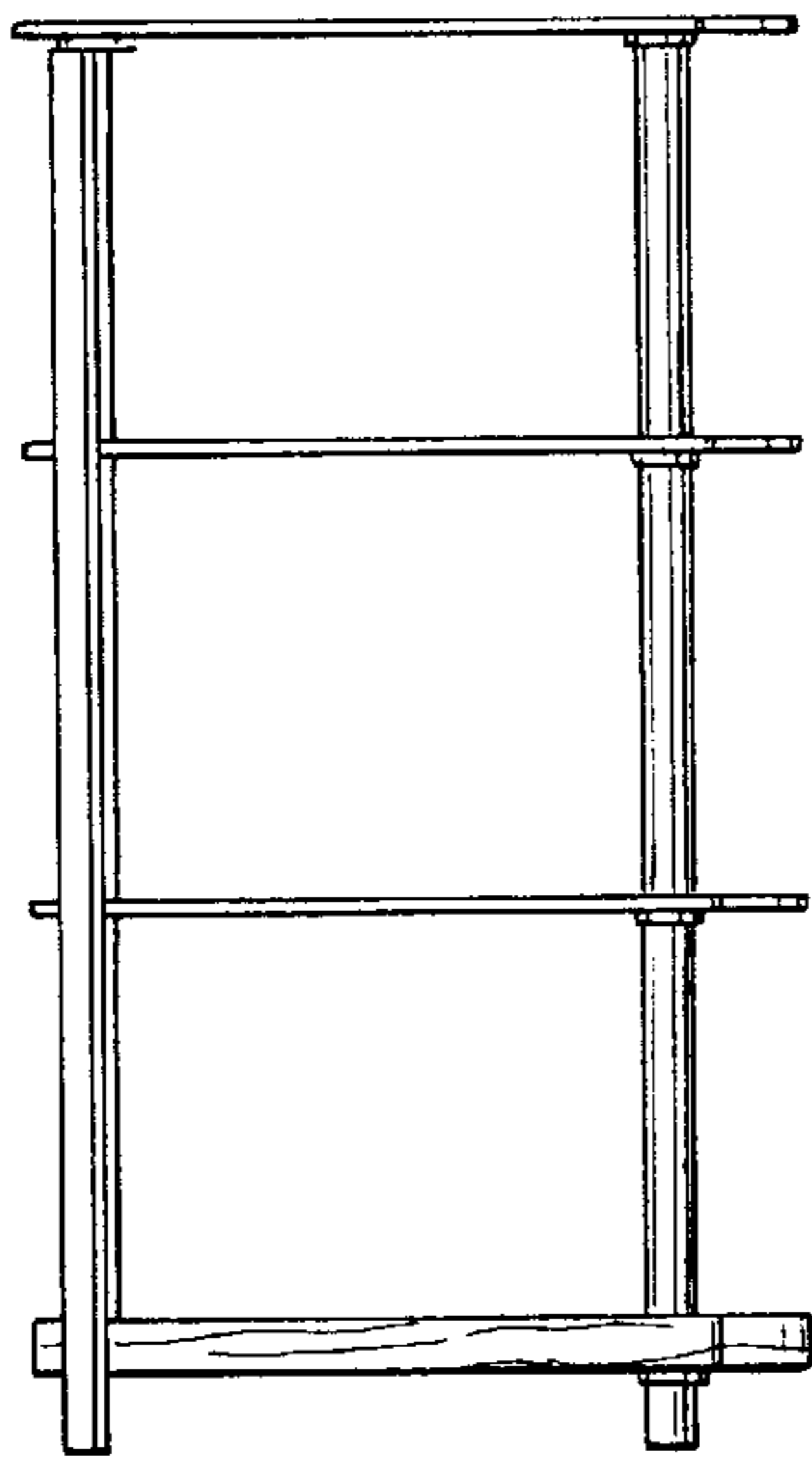




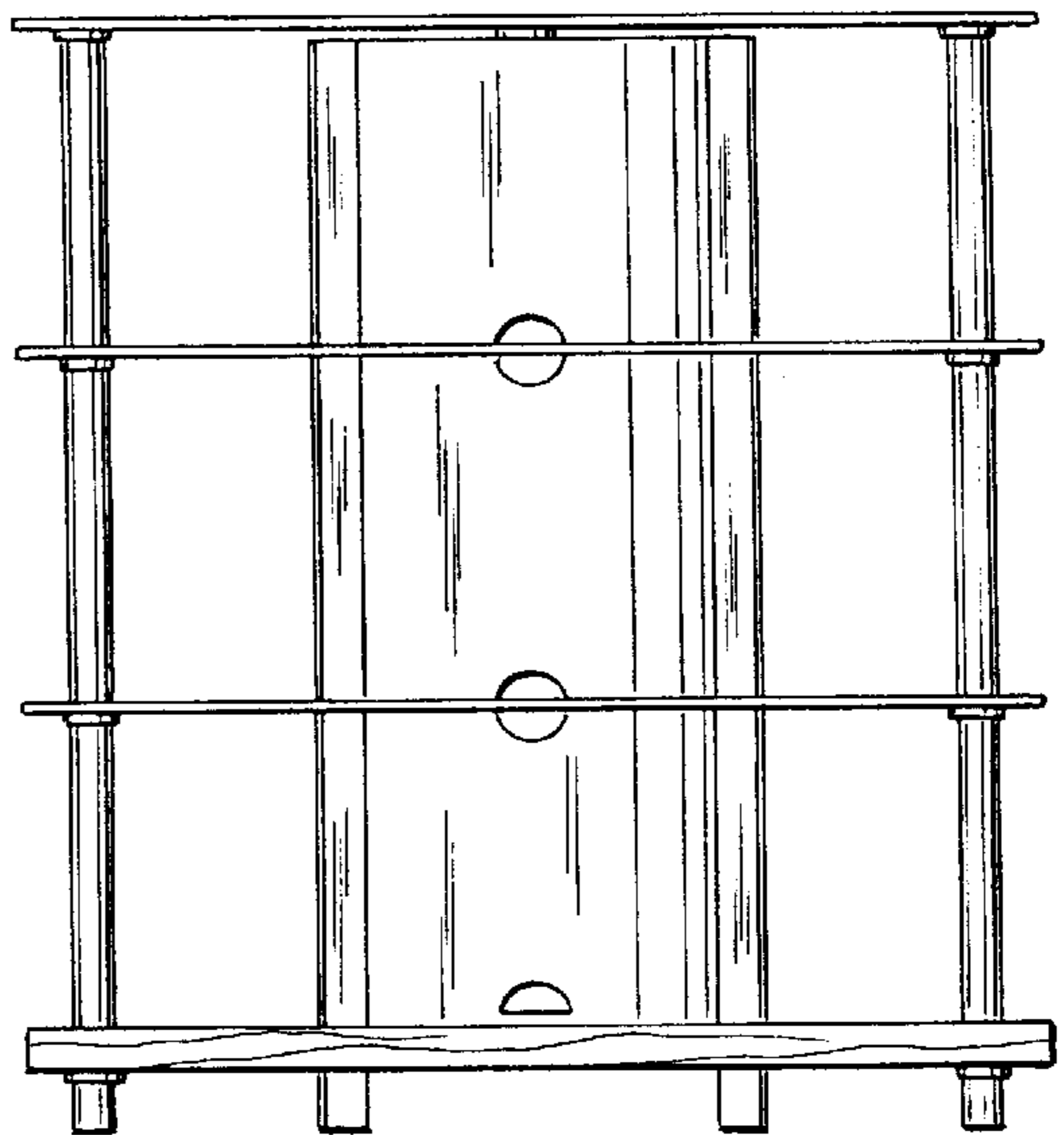
*Fig. 1*



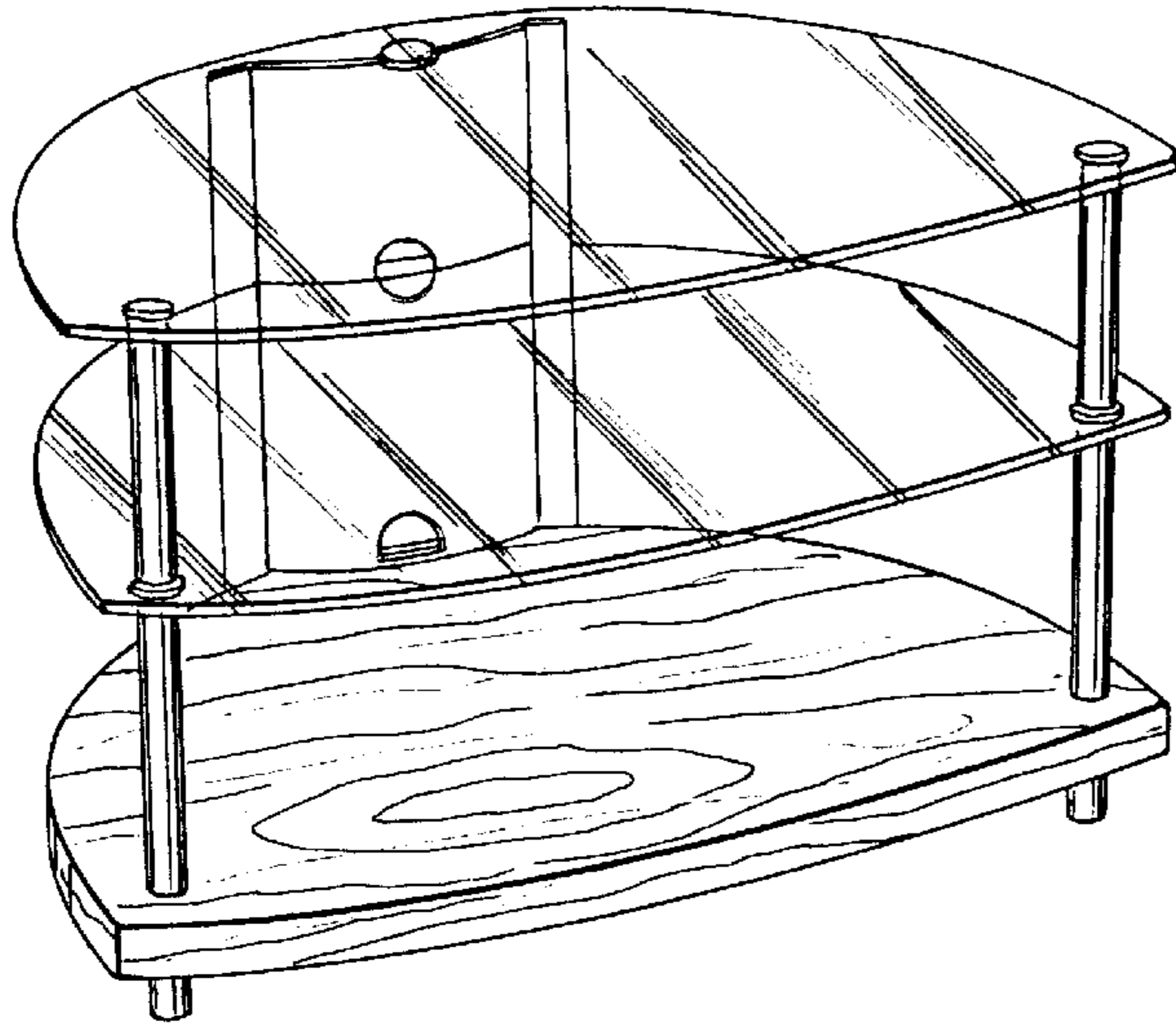
*Fig. 2*



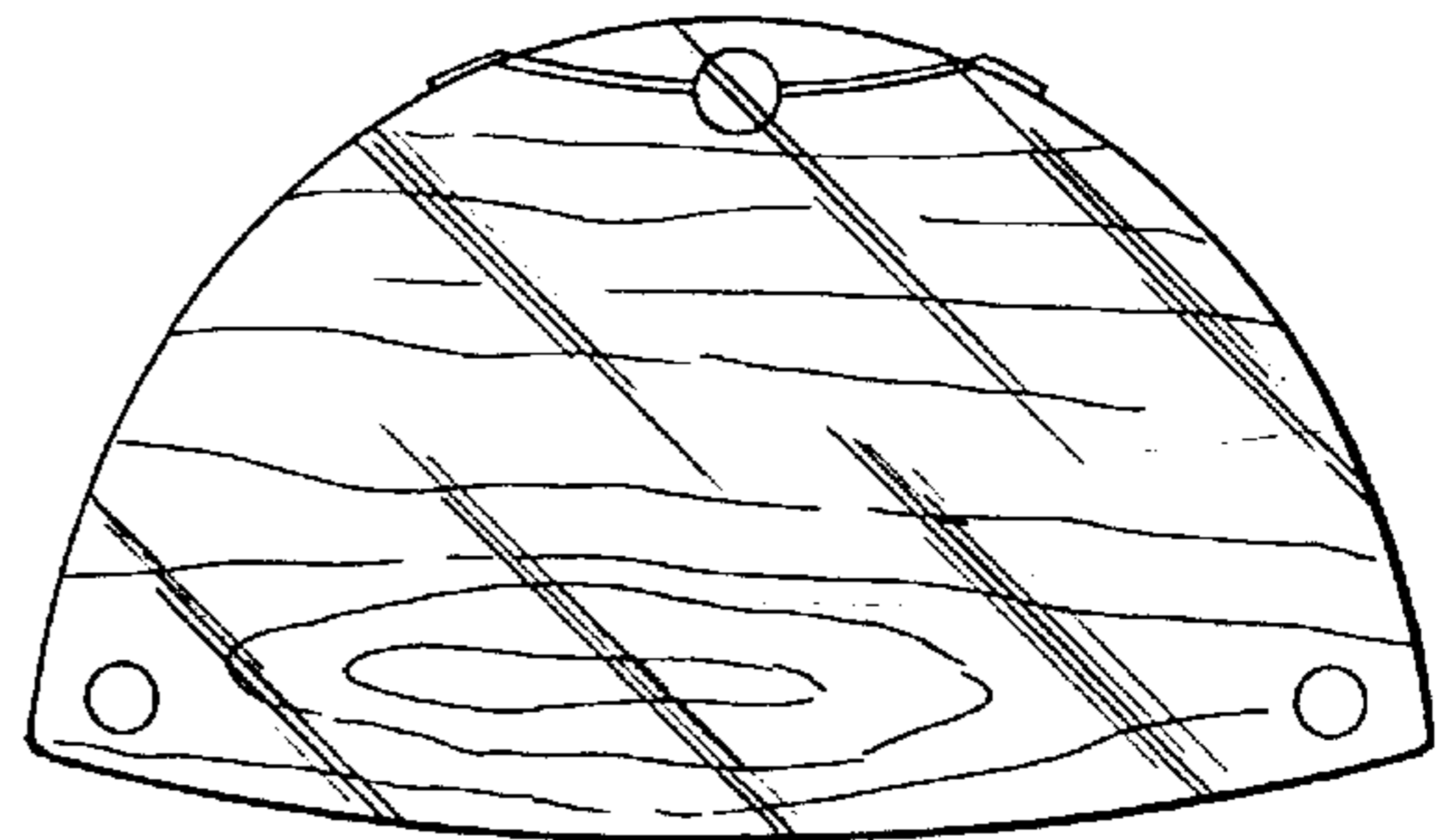
*Fig. 4*



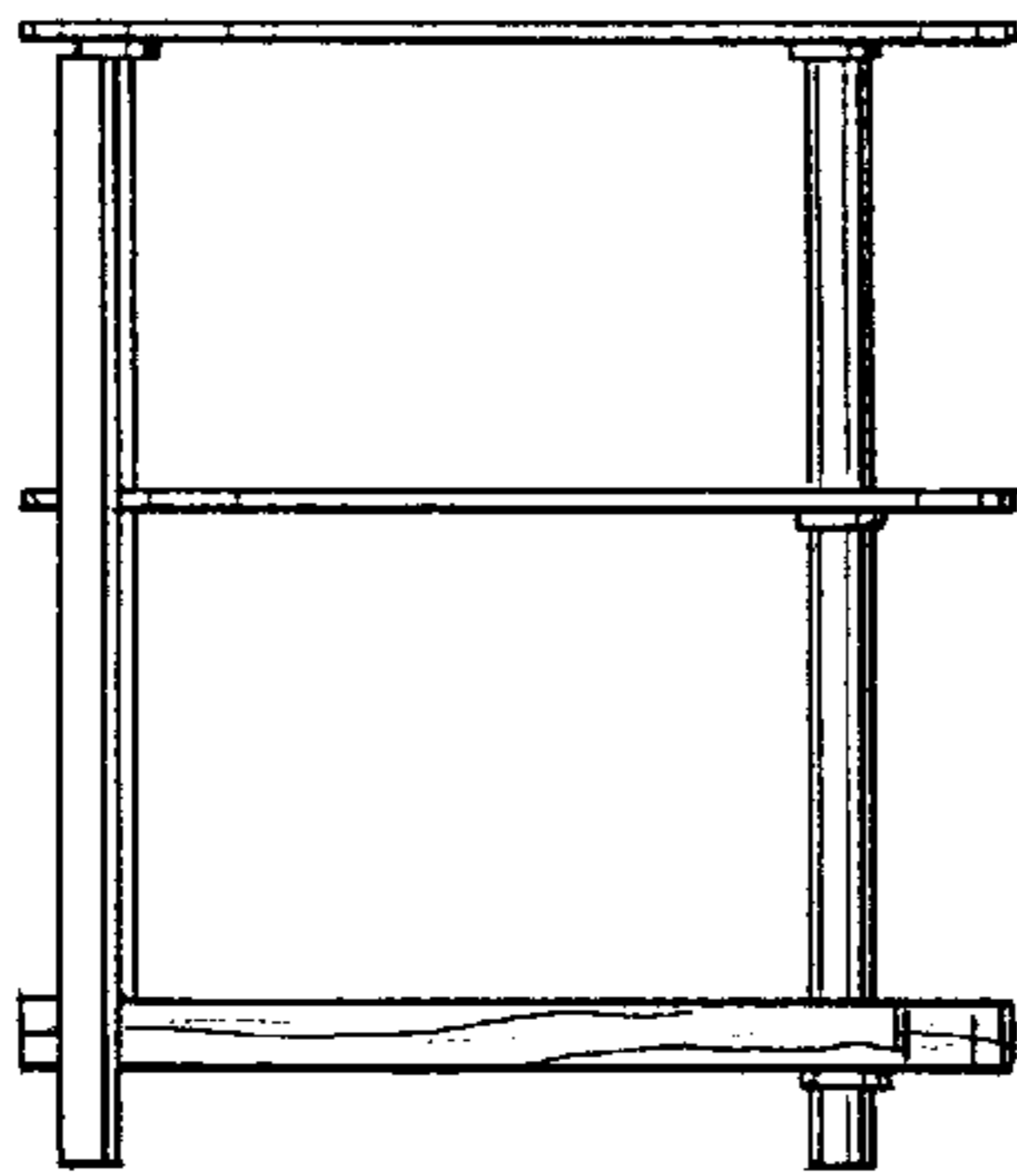
*Fig. 3*



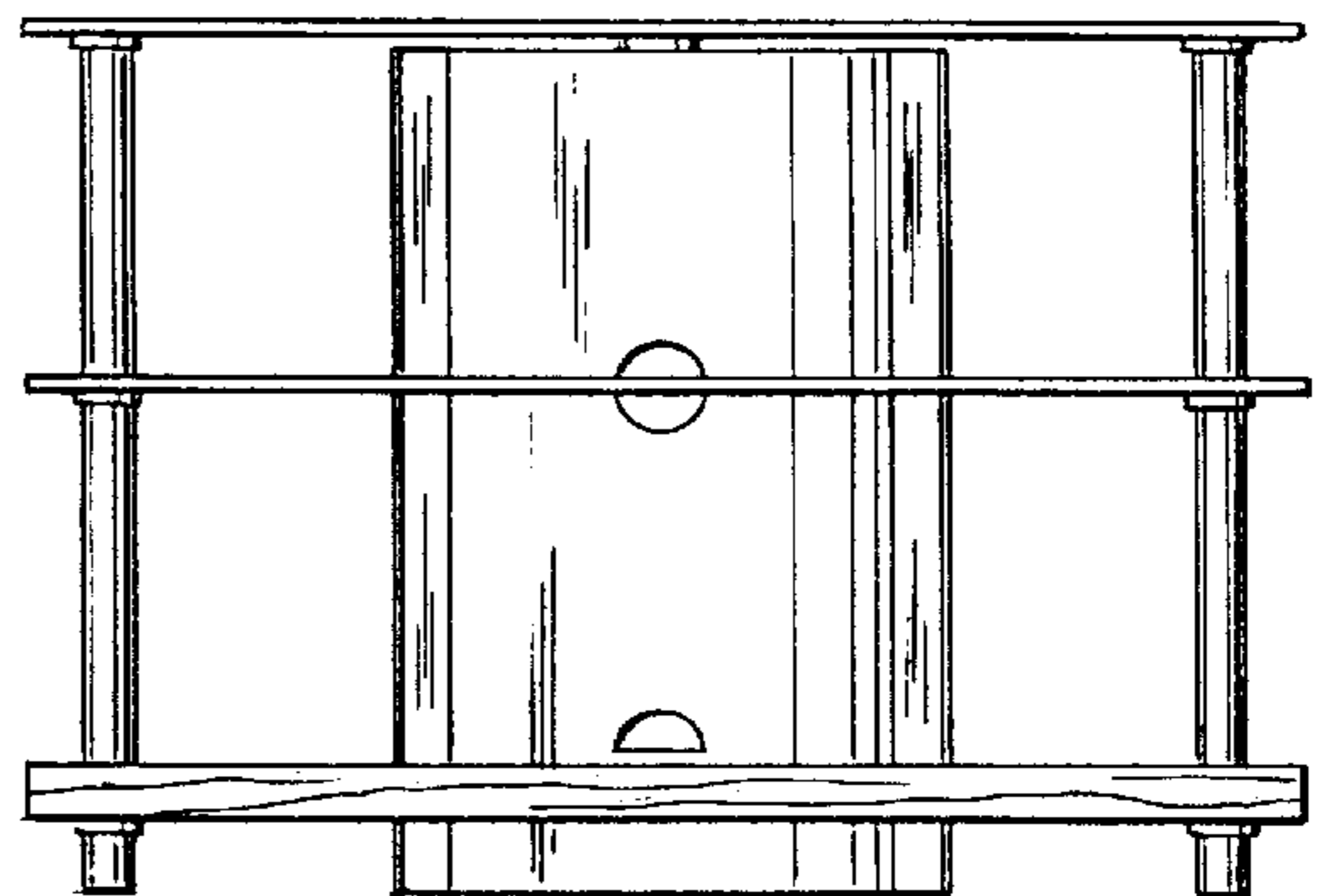
*Fig. 5*



*Fig. 6*



*Fig. 8*



*Fig. 7*