



US00D402483S

United States Patent [19]

Alvarez et al.

[11] Patent Number: Des. 402,483

[45] Date of Patent: **Dec. 15, 1998

[54] CIGAR DISPLAY DISPENSER

[75] Inventors: **Ferdinan Alvarez; Raquel Gonzalez,**
both of Miami, Fla.

[73] Assignee: **Forrest & Stuart, inc.,** Miami, Fla.

[**] Term: **14 Years**

[21] Appl. No.: **79,669**

[22] Filed: **Nov. 20, 1997**

[51] LOC (6) Cl. **06-04**

[52] U.S. Cl. **D6/408**

[58] Field of Search D6/408, 462, 449,
D6/466, 467, 468, 475, 476, 477, 478,
479; D27/183, 184; D9/339, 341; 211/1,
13.1, 51, 491, 70.3, 50, 52; 220/503, 505,
507; 206/229, 236, 457; 248/176.1, 309.1;
221/191

[56] **References Cited**

U.S. PATENT DOCUMENTS

D. 51,723	2/1918	Earl	D6/408
D. 53,604	7/1919	Pike	D6/408
D. 140,242	2/1945	Wemyss	D6/466

D. 242,009	10/1976	Hemingway	D6/473
D. 299,091	12/1988	Kruzel	D6/449
D. 389,681	1/1998	Mullin	D6/515
1,965,904	7/1934	Mitchell	206/738
2,299,027	10/1942	Novak	206/738 X

Primary Examiner—James Gandy
Assistant Examiner—Linda Brooks
Attorney, Agent, or Firm—John S. Hale; Gipple & Hale

[57] **CLAIM**

The ornamental design for a cigar display dispenser, as shown and described.

DESCRIPTION

FIG. 1 is a perspective view of the cigar display dispenser showing our new design, with a cigar and two packages shown in broken lines for purposes of illustration only and forming no part of the claimed design; FIG. 2 is a front elevational view of the cigar display dispenser shown in FIG. 1; FIG. 3 is a side view of the cigar display dispenser shown in FIG. 1 each side being a mirror image of the other side; FIG. 4 is a rear view of the cigar display dispenser shown in FIG. 1; and, FIG. 5 is a top plan view of the cigar display dispenser shown in FIG. 1.

1 Claim, 2 Drawing Sheets

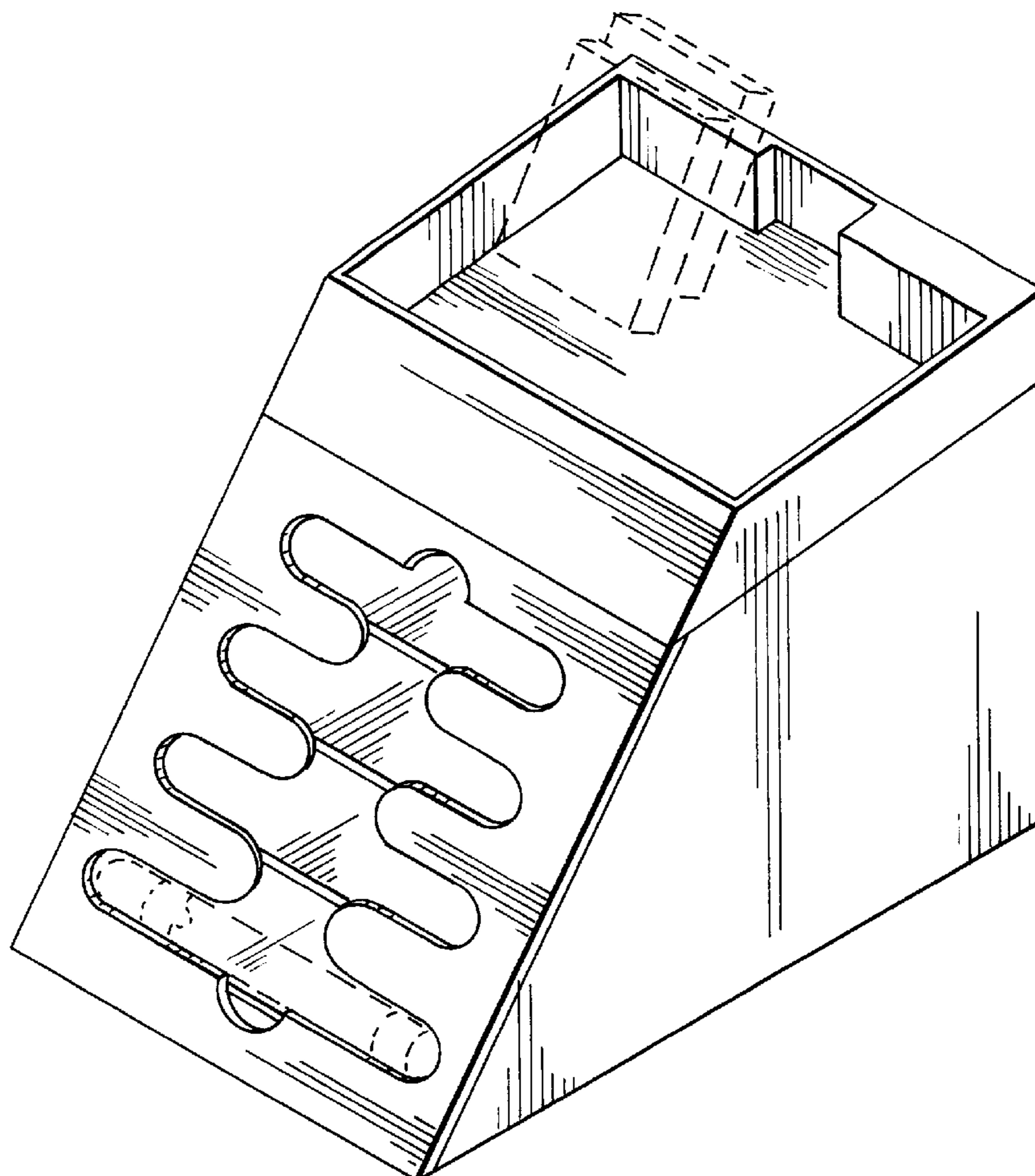


FIG. 1

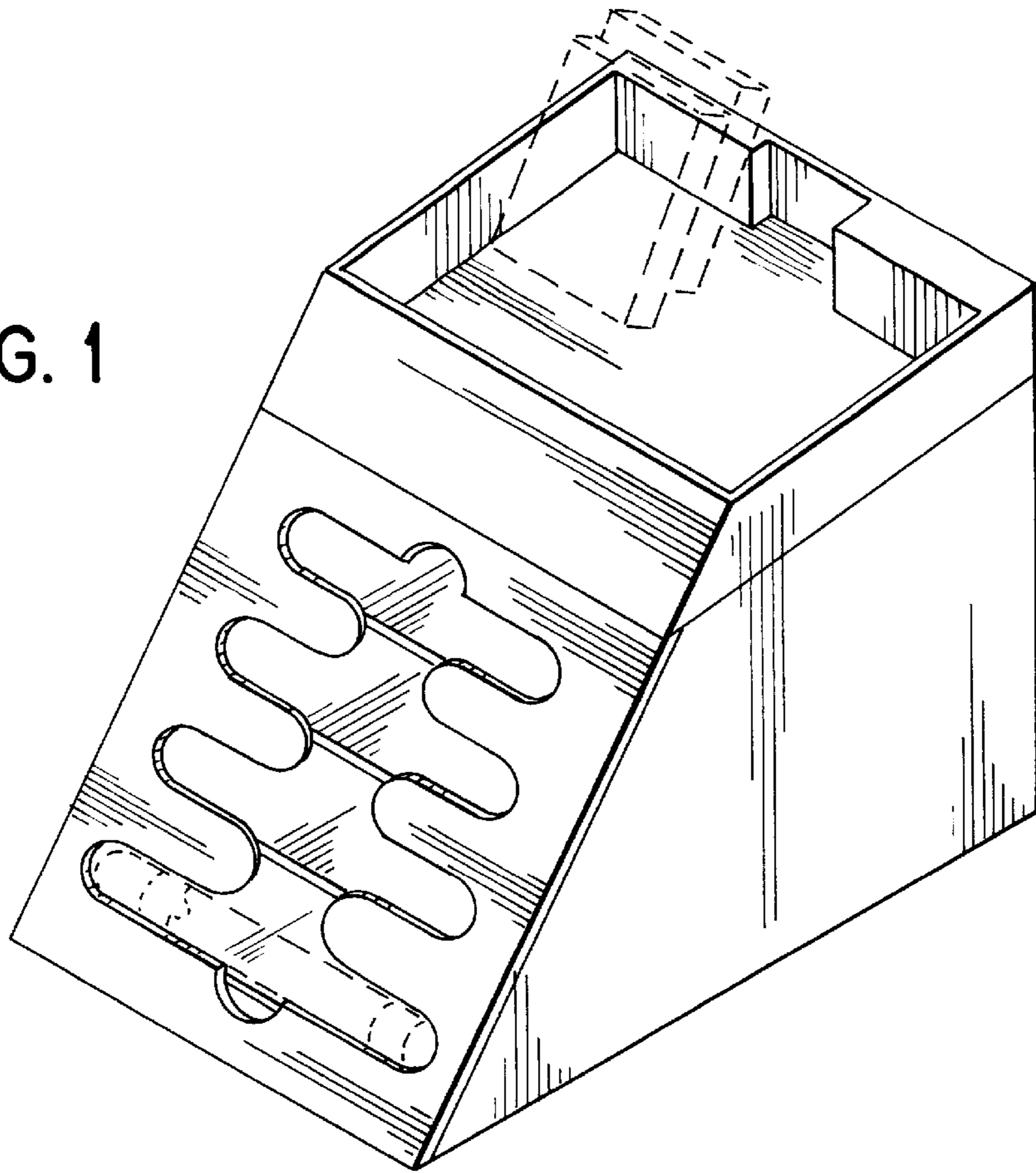


FIG. 2

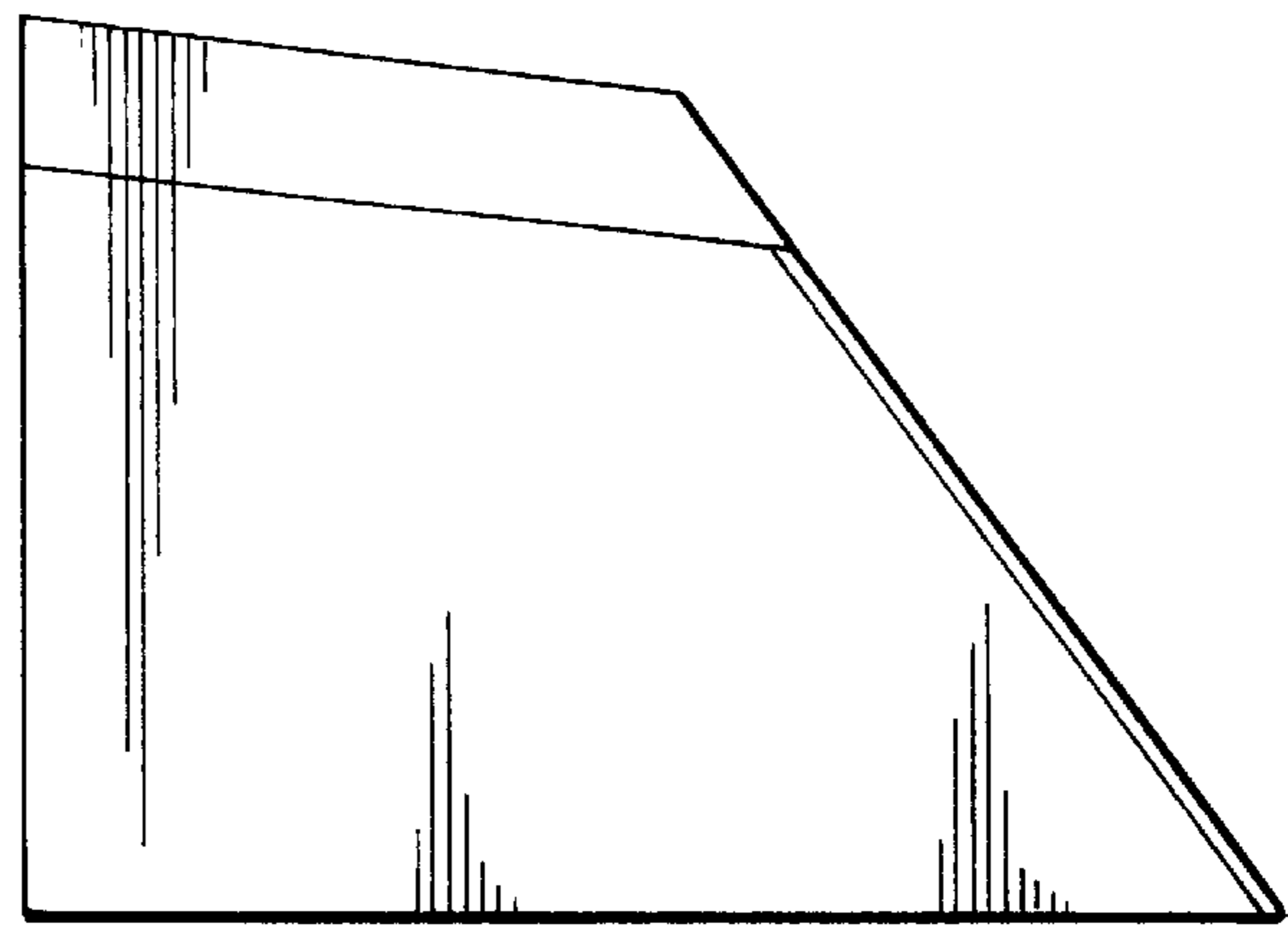
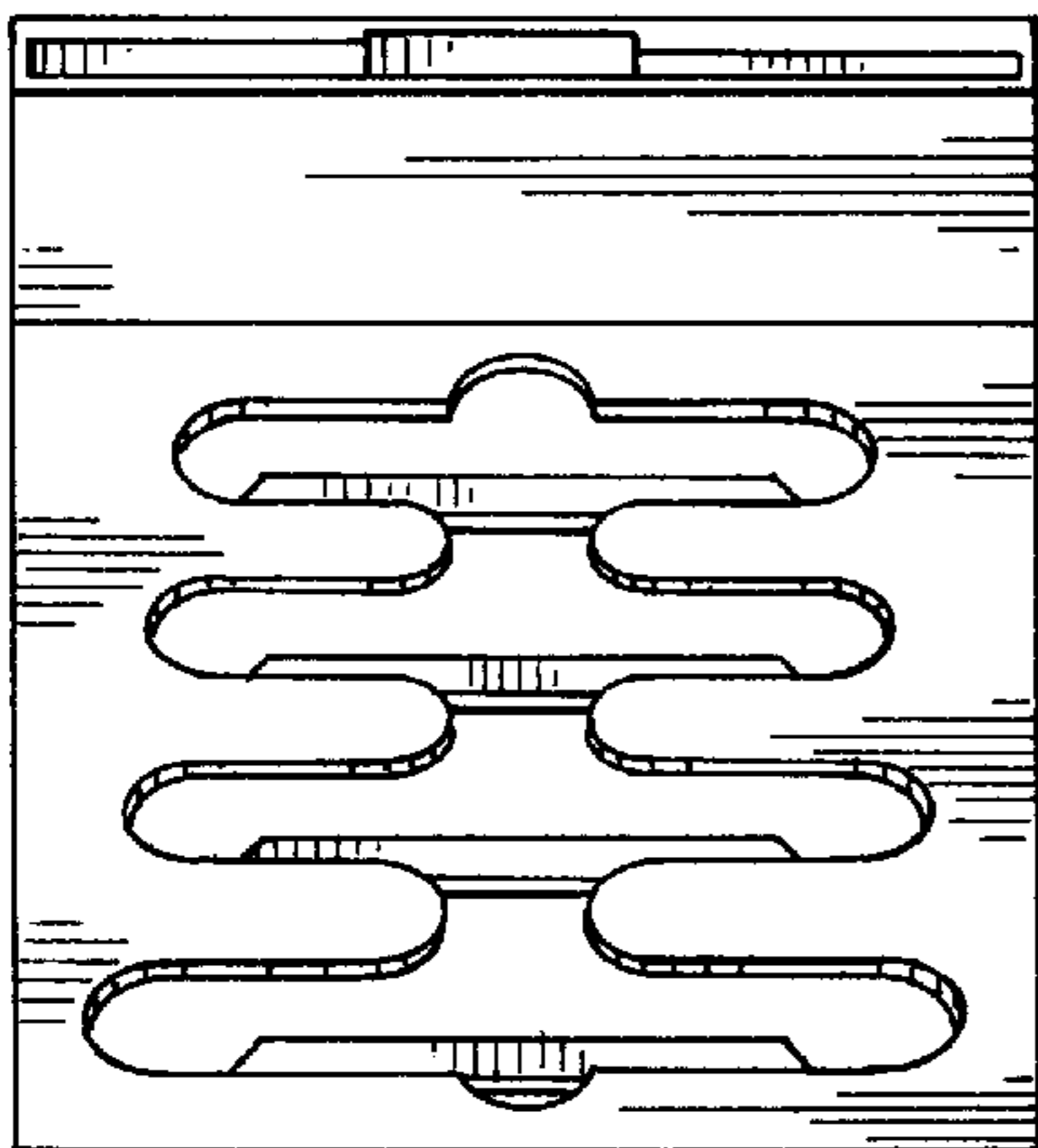


FIG. 3

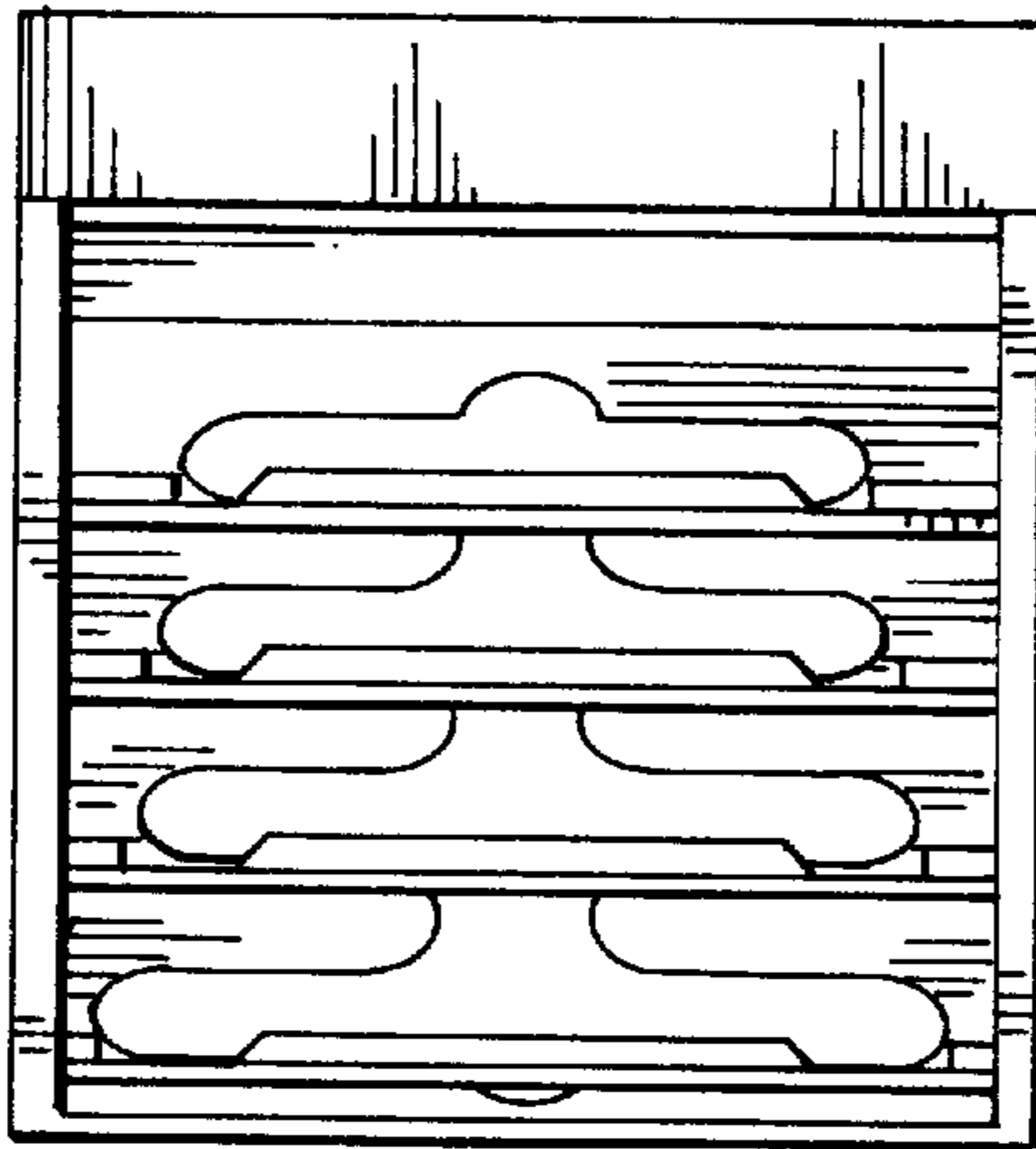


FIG. 4

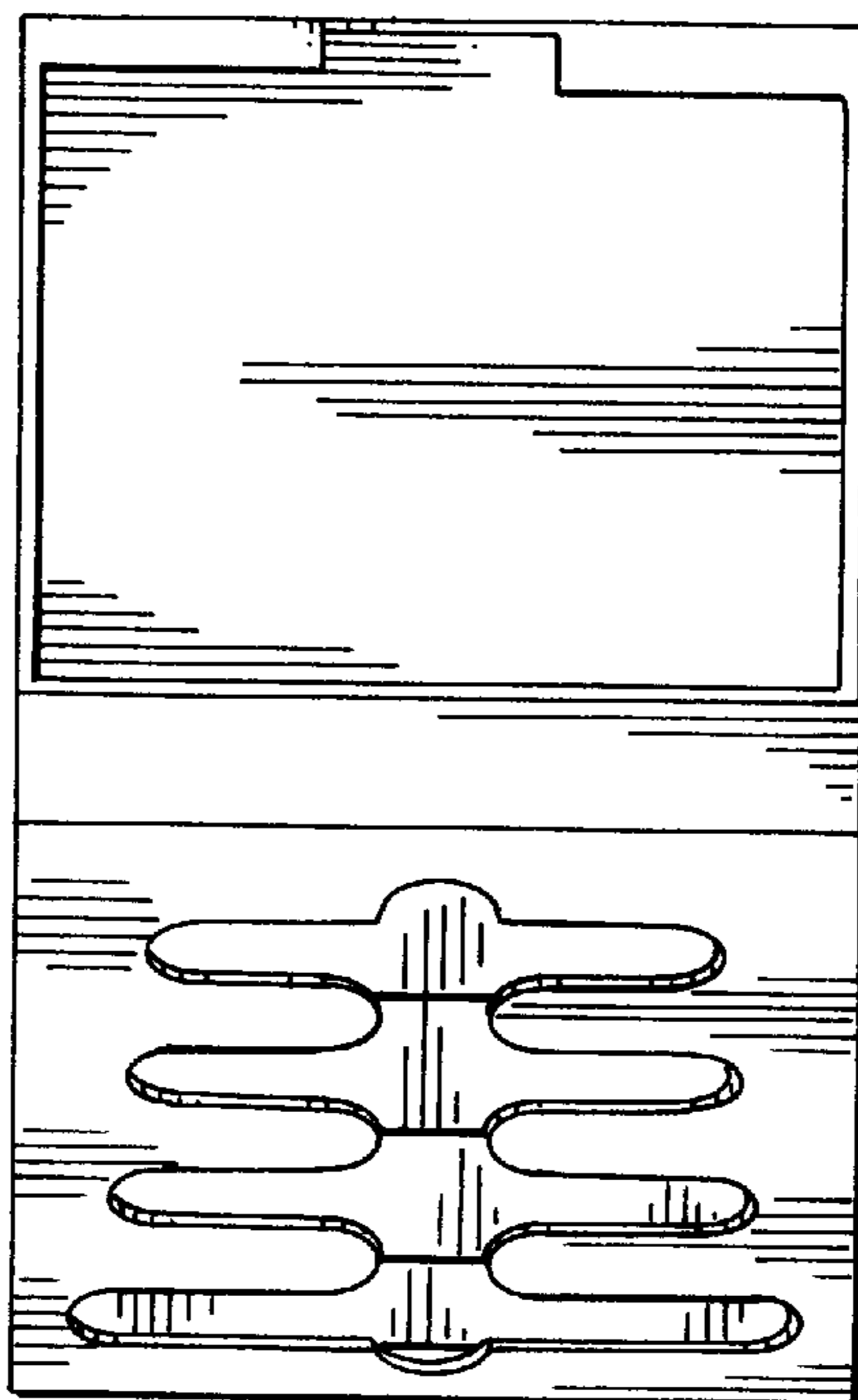


FIG. 5