



US00D402480S

United States Patent [19]
Stafford

[11] **Patent Number: Des. 402,480**

[45] **Date of Patent: **Dec. 15, 1998**

[54] **CHAIR**

[75] Inventor: **John R. Stafford**, Greensboro, N.C.

[73] Assignee: **Chromcraft/Revington Company**,
Senatobia, Miss.

[**] Term: **14 Years**

[21] Appl. No.: **71,772**

[22] Filed: **Jun. 6, 1997**

[51] **LOC (6) Cl.** **06-01**

[52] **U.S. Cl.** **D6/366**

[58] **Field of Search** D6/334, 364, 365,
D6/366, 367, 379, 500, 501, 502; 297/411.2

[56] **References Cited**

U.S. PATENT DOCUMENTS

D. 66,697	2/1925	McCargar	D6/379
D. 84,860	8/1931	Tucker	D6/379
D. 236,304	8/1975	Fisher	D6/334
D. 316,191	4/1991	Wilson et al.	D6/366
D. 330,810	11/1992	Stafford	D6/366
D. 348,786	7/1994	Tolleson et al.	D6/366
D. 370,790	6/1996	Dammerman	D6/366

Primary Examiner—Gary D. Watson
Attorney, Agent, or Firm—Wolf, Greenfield & Sacks

[57] **CLAIM**

The ornamental design for a chair, as shown and described.

DESCRIPTION

FIG. 1 is a front three-quarter perspective view of a chair showing my new design;

FIG. 2 is a front perspective view thereof;

FIG. 3 is a left side perspective view thereof, the right side perspective view (not shown) being the mirror image thereof;

FIG. 4 is a rear perspective view thereof;

FIG. 5 is a top perspective view thereof;

FIG. 6 is a front three-quarter perspective view of a chair showing a second embodiment of my new design;

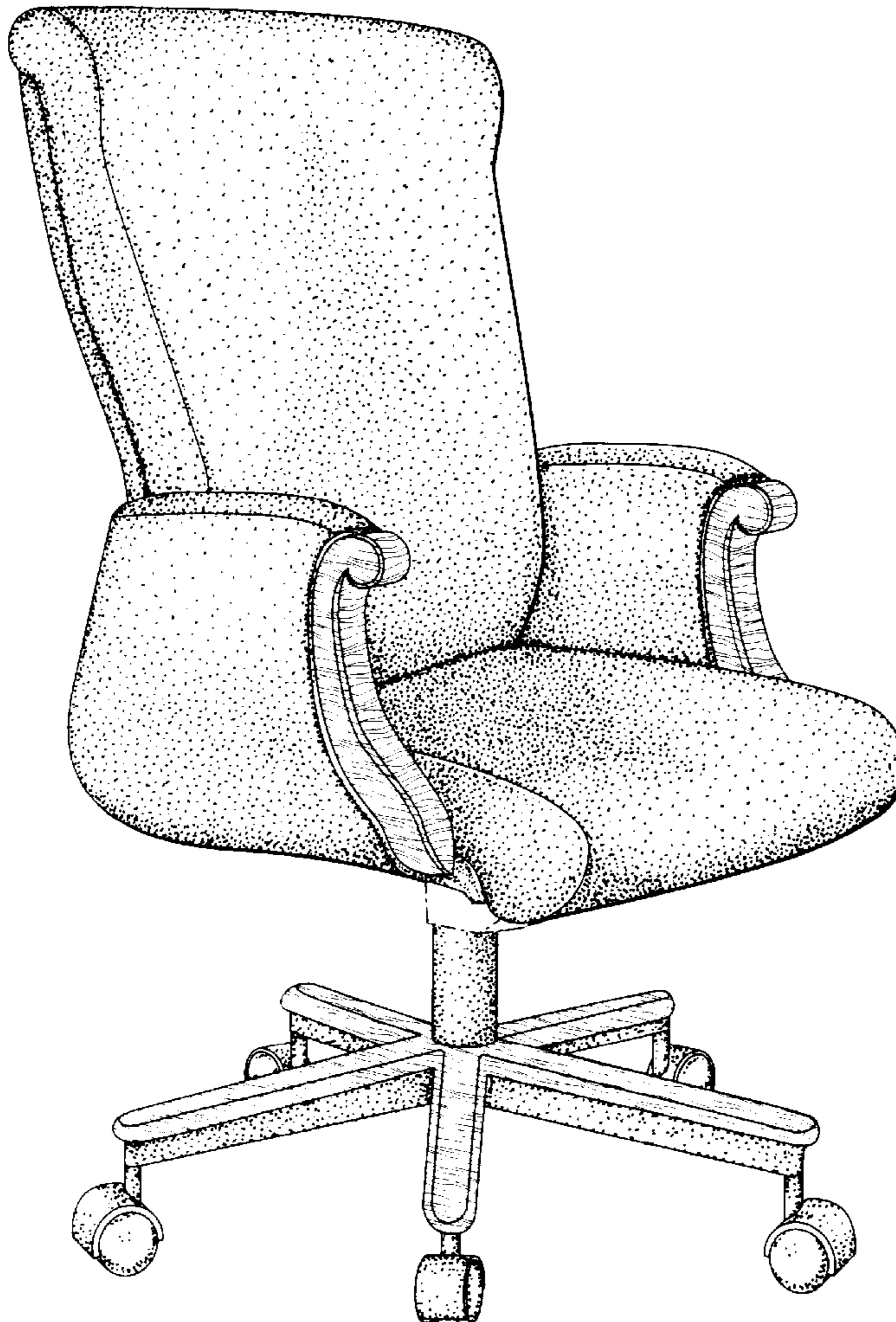
FIG. 7 is a front perspective view thereof;

FIG. 8 is a left side perspective view thereof, the right side perspective view (not shown) being the mirror image thereof; and,

FIG. 9 is a rear perspective view thereof.

The broken line showing of the tilt mechanism is for illustrative purposes only and forms no part of the claimed design.

1 Claim, 9 Drawing Sheets



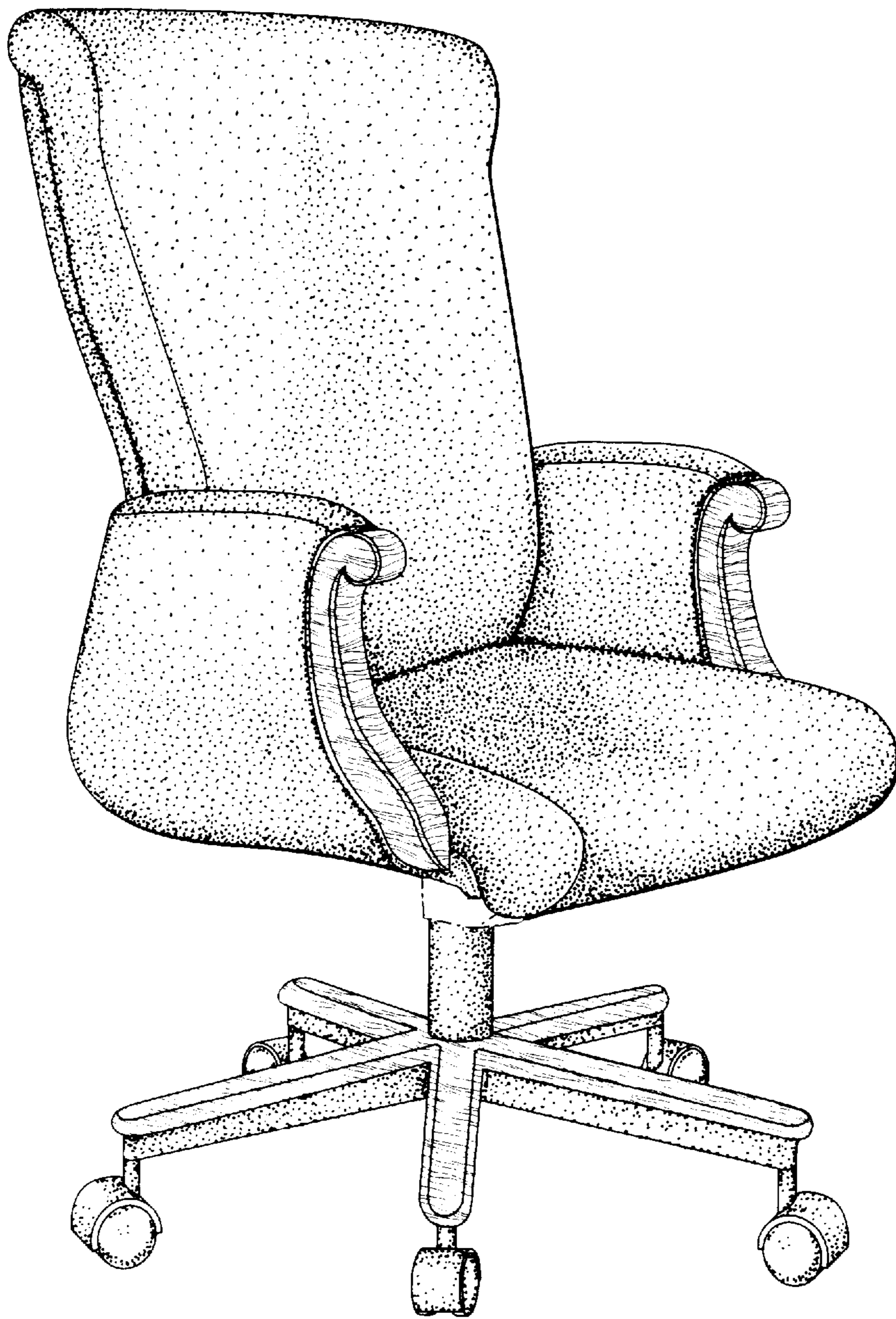


Fig. 1

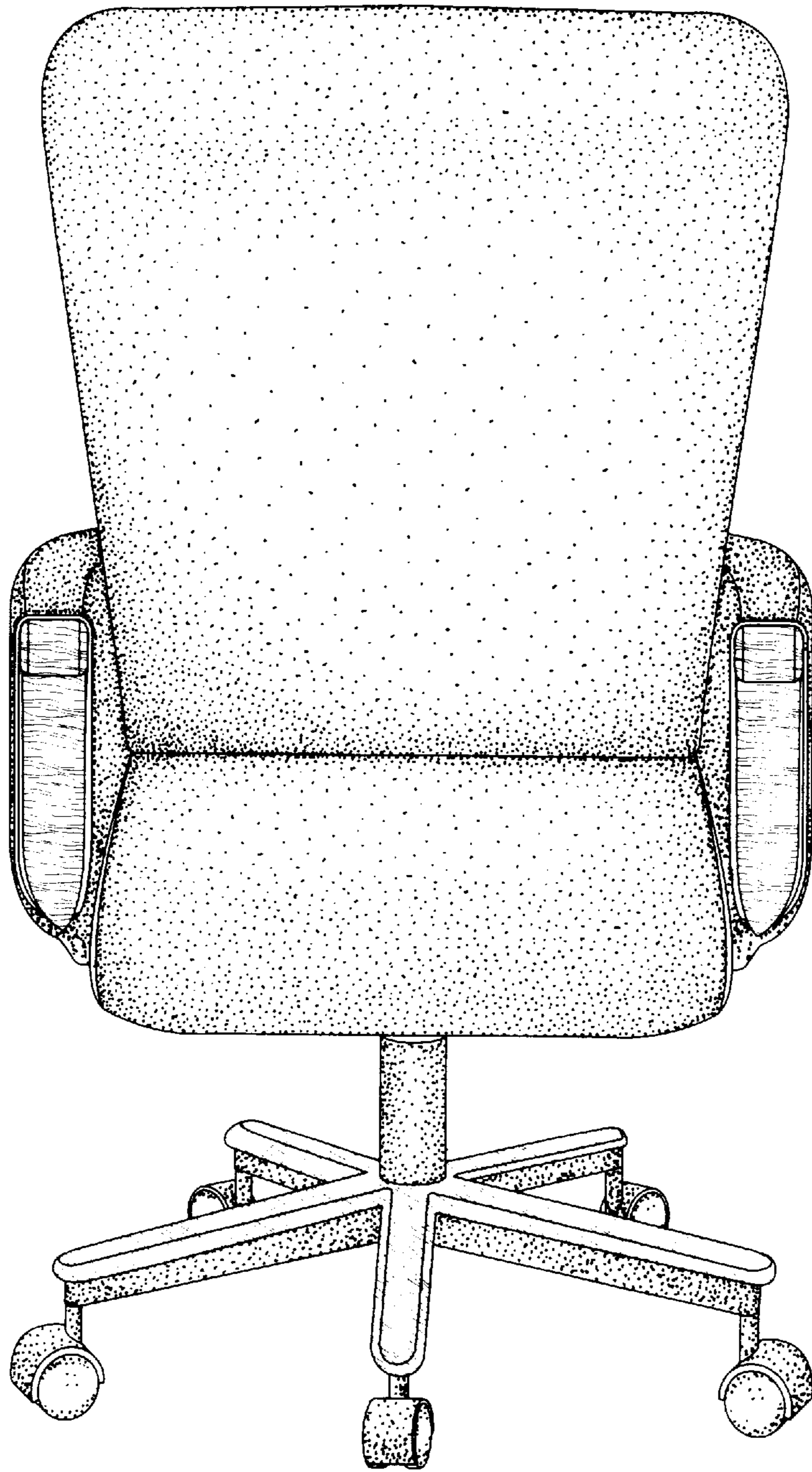


Fig. 2

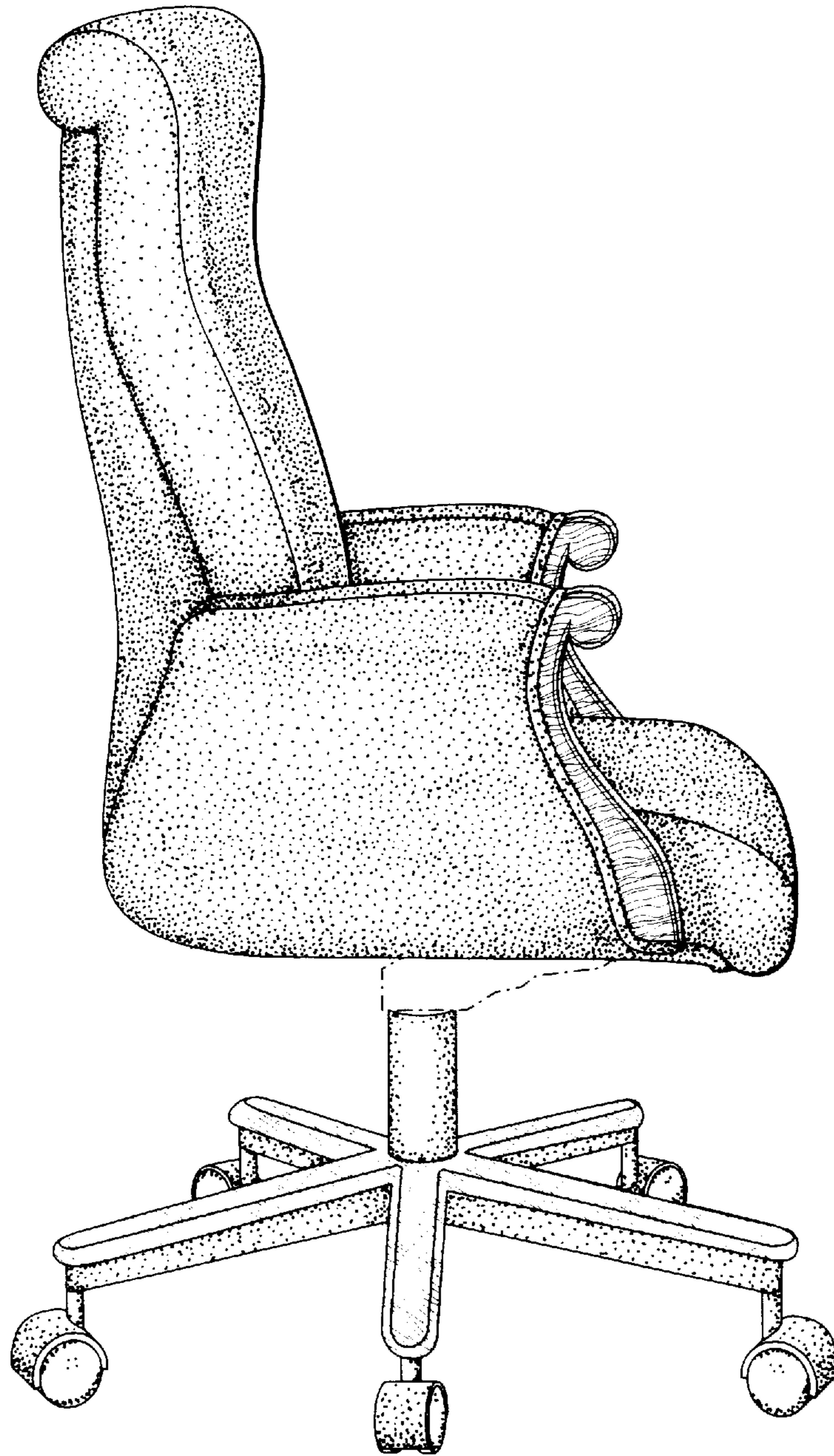


Fig. 3

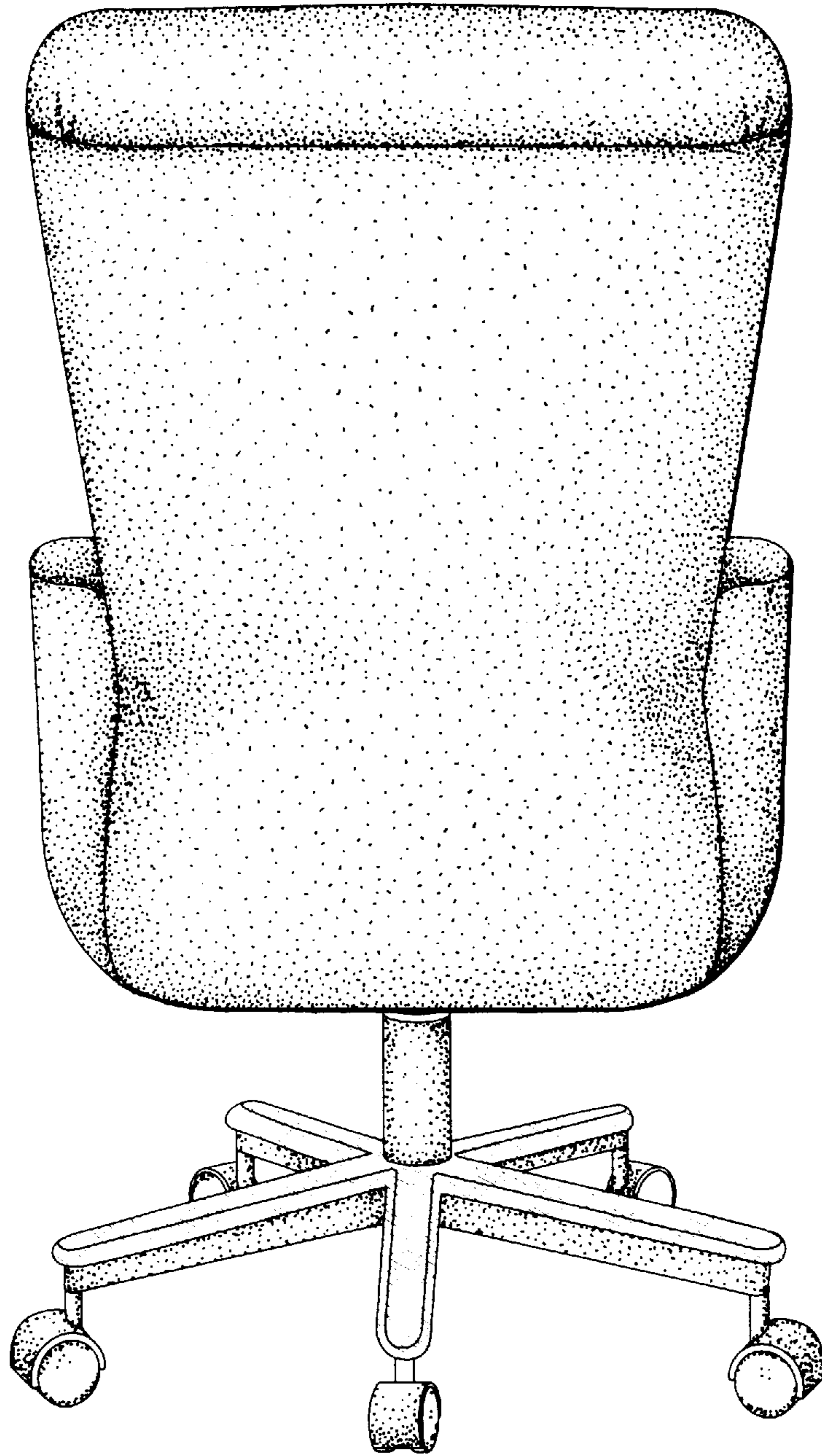


Fig. 4

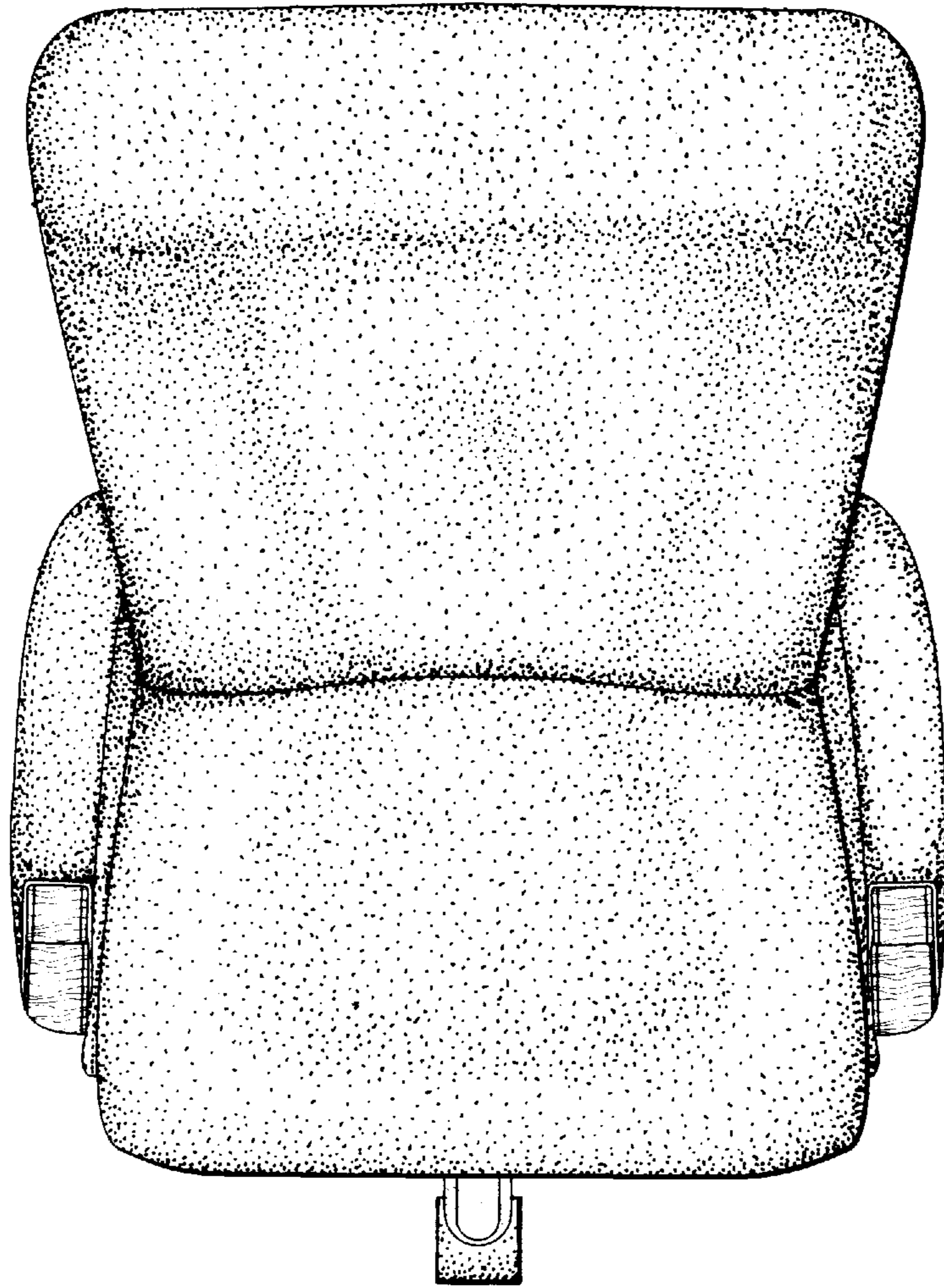


Fig. 5

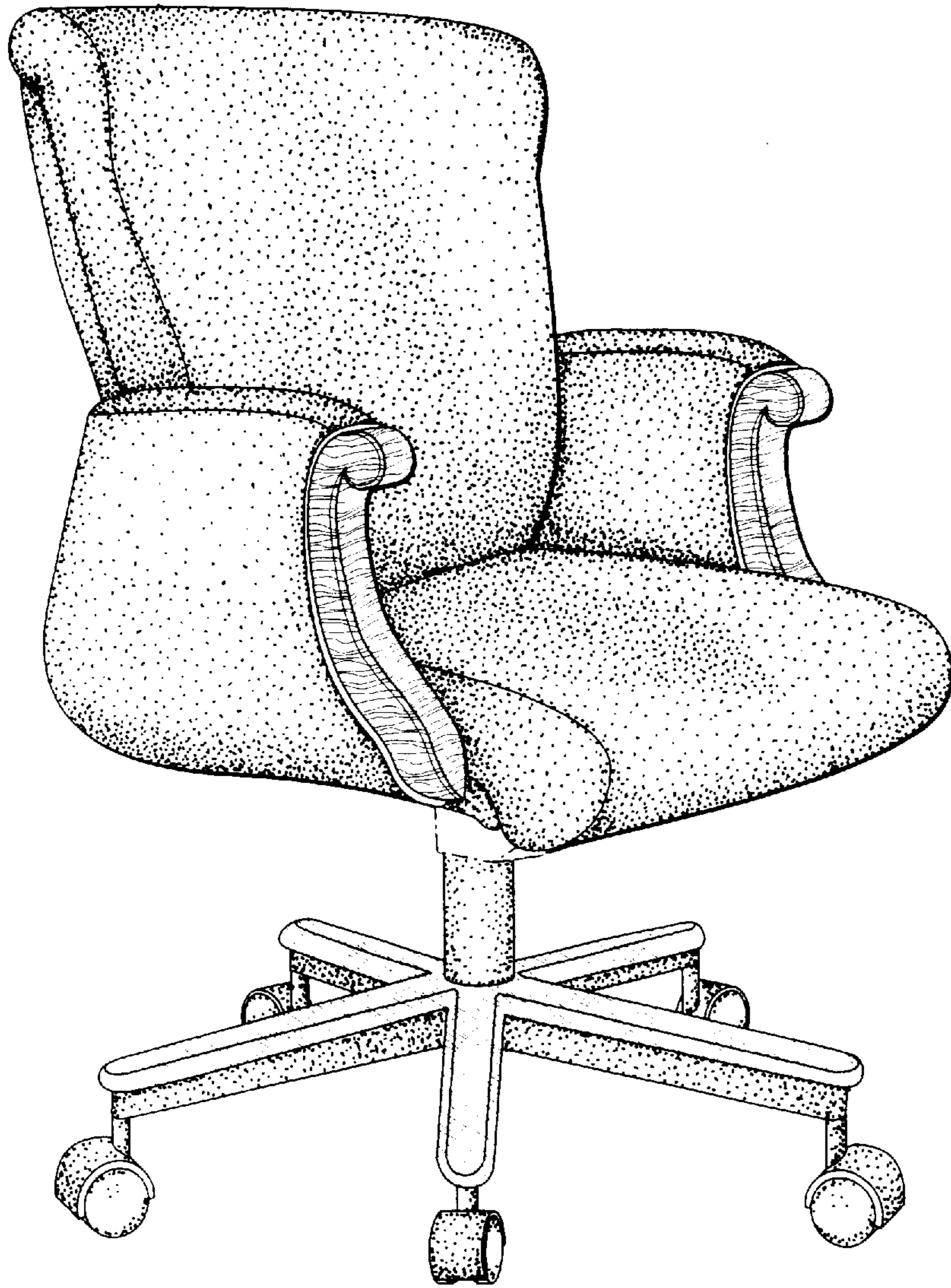


Fig. 6

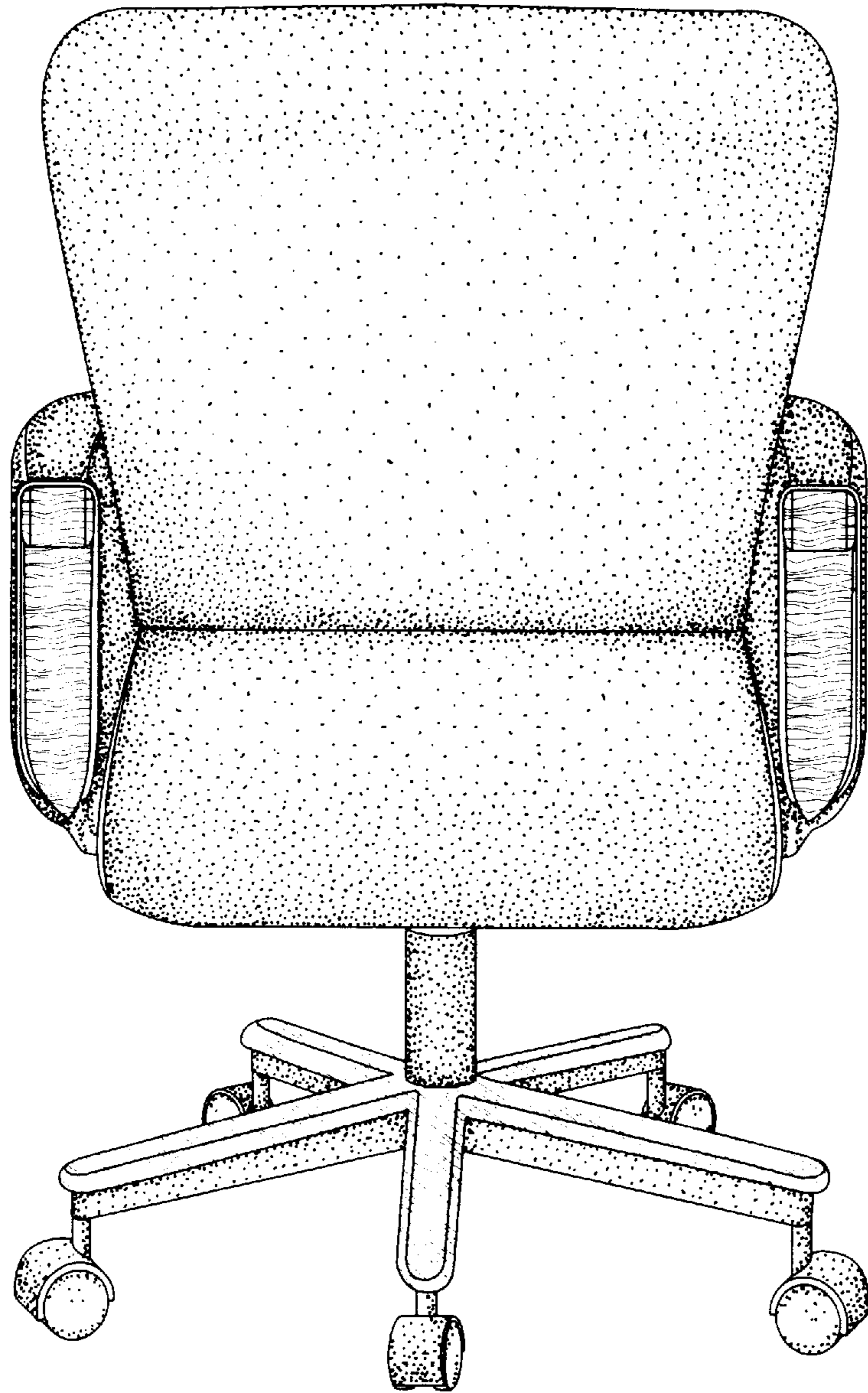


Fig. 7

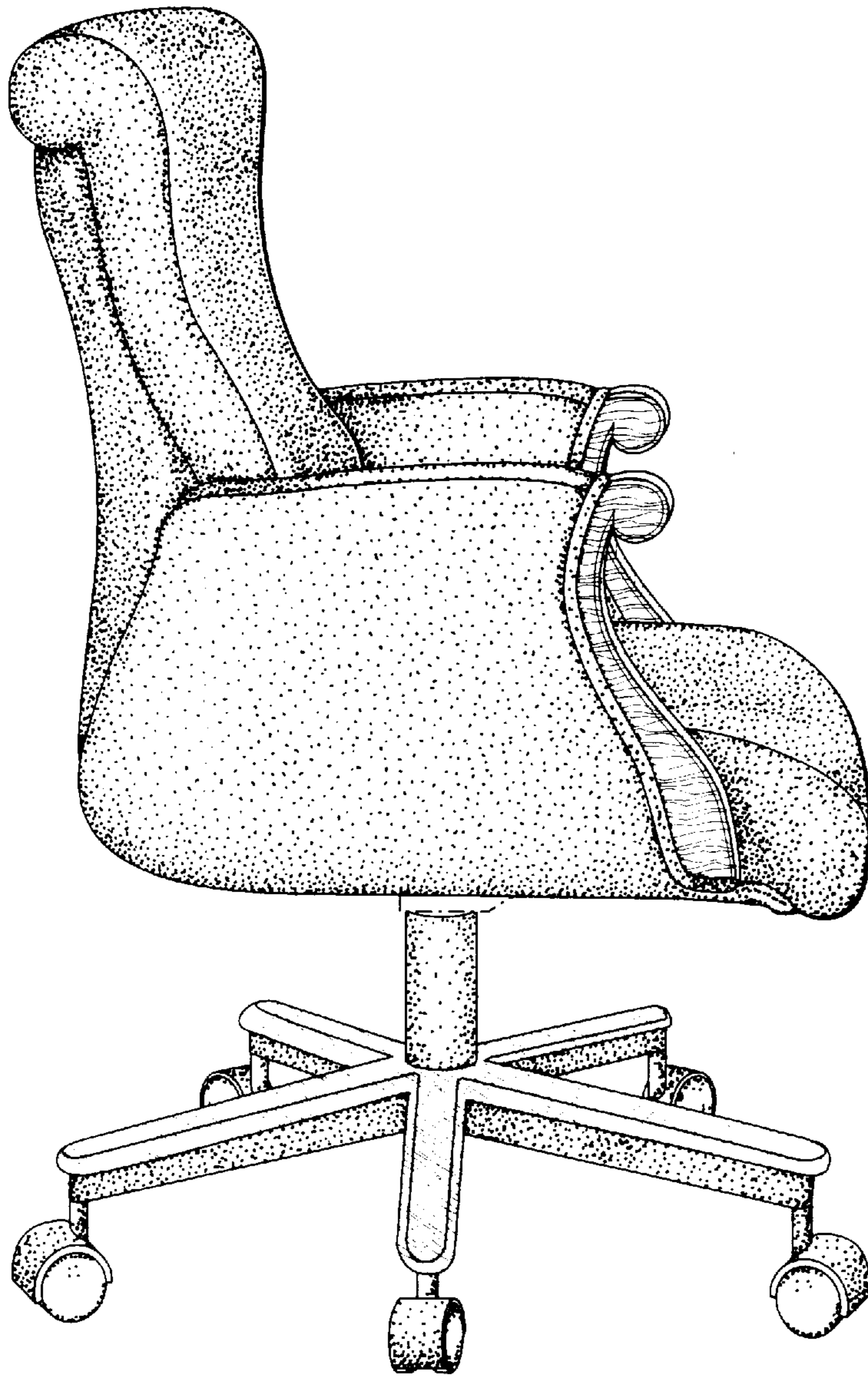


Fig. 8

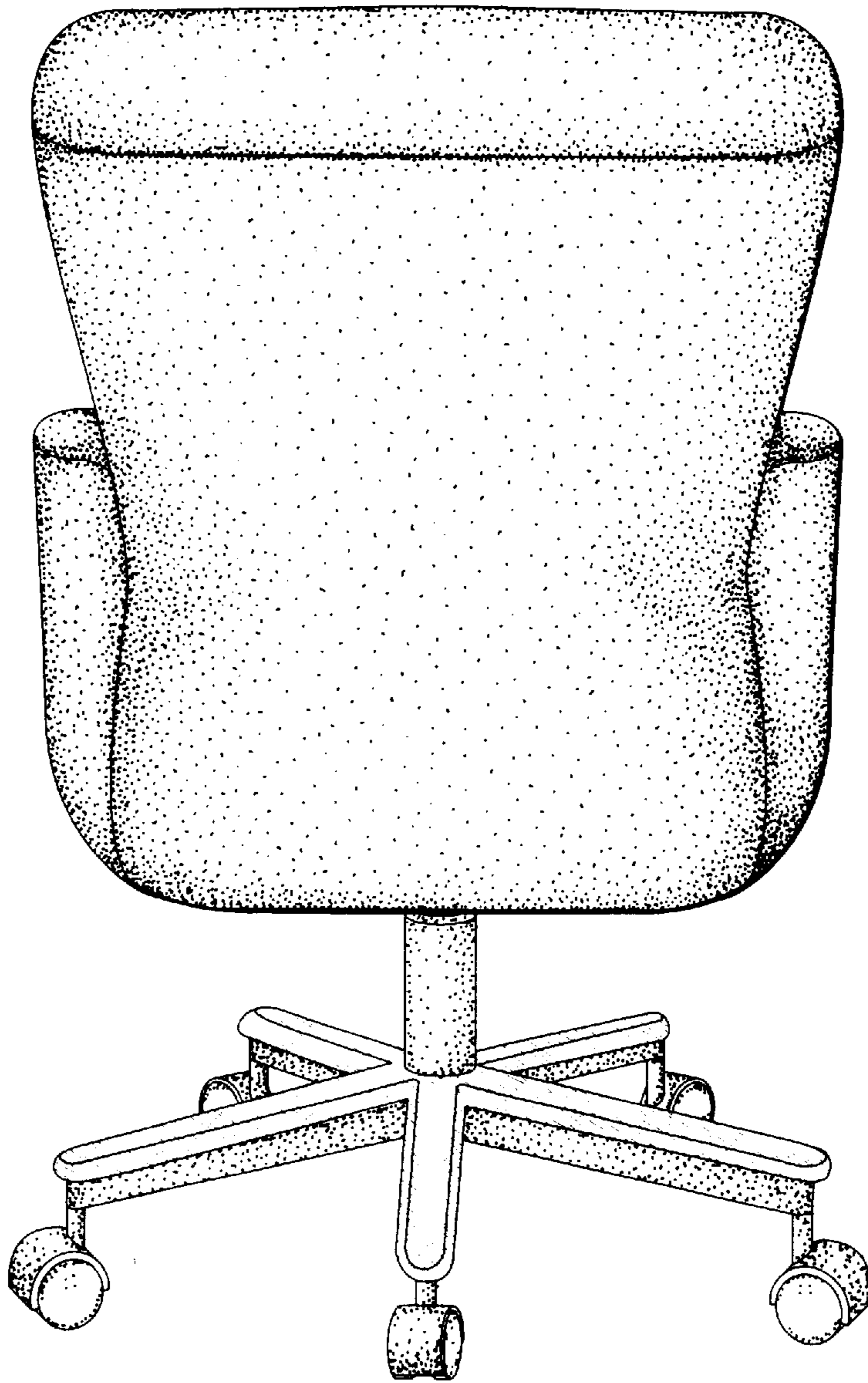


Fig. 9