



US00D402468S

United States Patent [19] Killins

[11] **Patent Number: Des. 402,468**

[45] **Date of Patent: **Dec. 15, 1998**

[54] **ADJUSTABLE UNIVERSAL ARTICLE CARRIER**

[75] Inventor: **Richard Michael Killins**, Yucca Valley, Calif.

[73] Assignee: **Inventions Unlimited, Inc.**, Yucca Valley, Calif.

[**] Term: **14 Years**

[21] Appl. No.: **64,541**

[22] Filed: **Jan. 6, 1997**

[51] **LOC (6) Cl. 03-01**

[52] **U.S. Cl. D3/315**

[58] **Field of Search D3/315; D8/1, D8/13, 14, 300, 301, 303, 305, 306; 294/26, 27.1, 12, 19.1, 34, 137**

[56] **References Cited**

U.S. PATENT DOCUMENTS

- D. 255,317 6/1980 Slinkard .
- D. 263,925 4/1982 Whipple .
- D. 267,520 1/1983 Main .
- D. 268,477 4/1983 Underdabl .
- D. 278,878 5/1985 Workman et al. D8/300
- D. 282,523 2/1986 Riemann .
- D. 286,972 12/1986 Crews .
- D. 288,276 2/1987 Harney .
- D. 289,365 4/1987 Lee .
- D. 289,367 4/1987 Secor .
- D. 290,926 7/1987 Embra .
- D. 298,299 11/1988 Deibel .
- D. 299,413 1/1989 DeCarolus .
- D. 299,691 2/1989 Green .
- D. 302,234 7/1989 McNamee et al. .
- D. 310,582 9/1990 Kujirai .
- D. 317,703 6/1991 Cydrus .
- D. 327,614 7/1992 Banks et al. .
- D. 331,355 12/1992 Viemeister .
- D. 332,211 1/1993 Scott, III .
- D. 346,315 4/1994 Bentz .
- D. 347,981 6/1994 Suggs, Sr. .
- D. 348,568 7/1994 Landry .

(List continued on next page.)

Primary Examiner—Doris V. Coles
Assistant Examiner—Catherine R. Oliver

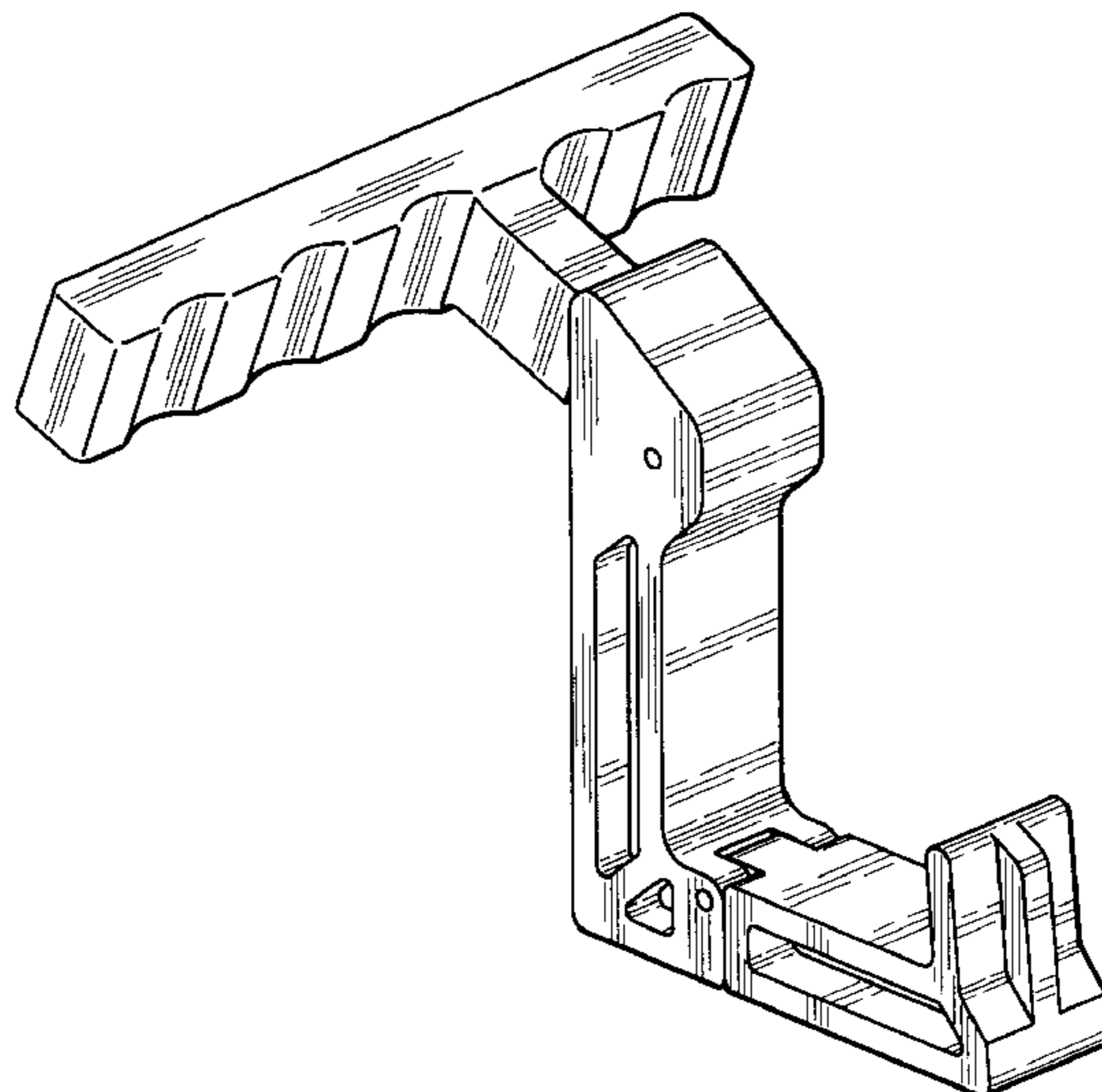
[57] **CLAIM**

The ornamental design for an adjustable universal article carrier, as shown and described.

DESCRIPTION

FIG. 1 is a perspective view of the first embodiment of an adjustable universal article carrier showing my new design in an extended position for use with the right hand; FIG. 2 is a front elevational view thereof; FIG. 3 is a rear elevational view thereof; FIG. 4 is a left side elevational view, with the right side elevational view being a mirror image thereof; FIG. 5 is a top plan view thereof; FIG. 6 is a bottom plan view thereof; FIG. 7 is a perspective view of the second embodiment shown in an extended position for use with the left hand; FIG. 8 is a front elevational view thereof; FIG. 9 is a rear elevational view thereof; FIG. 10 is a left side elevational view, with the right side elevational view being a mirror image thereof; FIG. 11 is a top plan view thereof; FIG. 12 is a bottom plan view thereof; FIG. 13 is a perspective view of the first embodiment shown in an upright position; FIG. 14 is a front elevational view thereof; FIG. 15 is a rear elevational view thereof; FIG. 16 is a left side elevational view, with the right side elevational view being a mirror image thereof; FIG. 17 is a top plan view thereof; FIG. 18 is a bottom plan view thereof; FIG. 19 is a perspective view of the first embodiment shown in a folded position; FIG. 20 is a front elevational view thereof; FIG. 21 is a rear elevational view thereof; FIG. 22 is a left side elevational view, with the right side elevational view being a mirror image thereof; FIG. 23 is a top plan view thereof; and, FIG. 24 is a bottom plan view.

1 Claim, 8 Drawing Sheets



Des. 402,468

Page 2

U.S. PATENT DOCUMENTS						
			3,879,778	4/1975	Archer	294/26
			4,010,931	3/1977	Wheeler .	
			4,098,442	7/1978	Moore .	
			4,113,160	9/1978	Spiers .	
			4,135,655	1/1979	Brown .	
			4,190,278	2/1980	Jancik, Jr. .	
			4,245,763	1/1981	Weinberg .	
			4,660,284	4/1987	Decarolla .	
			4,660,875	4/1987	Ziegler	294/26
			5,165,661	11/1992	Wright .	
			5,367,732	11/1994	Suggs, Sr. .	
			5,660,099	8/1997	Figueira, Jr.	294/26 X
D. 349,437	8/1994	Mock et al. .				
D. 358,744	5/1995	Eatwistle .				
D. 365,002	12/1995	Werner .				
D. 368,345	3/1996	Fisher .				
D. 368,837	4/1996	Reed .				
D. 371,498	7/1996	Lai .				
D. 371,499	7/1996	Gomas .				
D. 379,915	6/1997	Ball, Jr. et al.	D8/306			
2,428,941	10/1947	Packard .				
2,802,253	8/1957	Birck .				
2,802,259	8/1957	Stoner .				

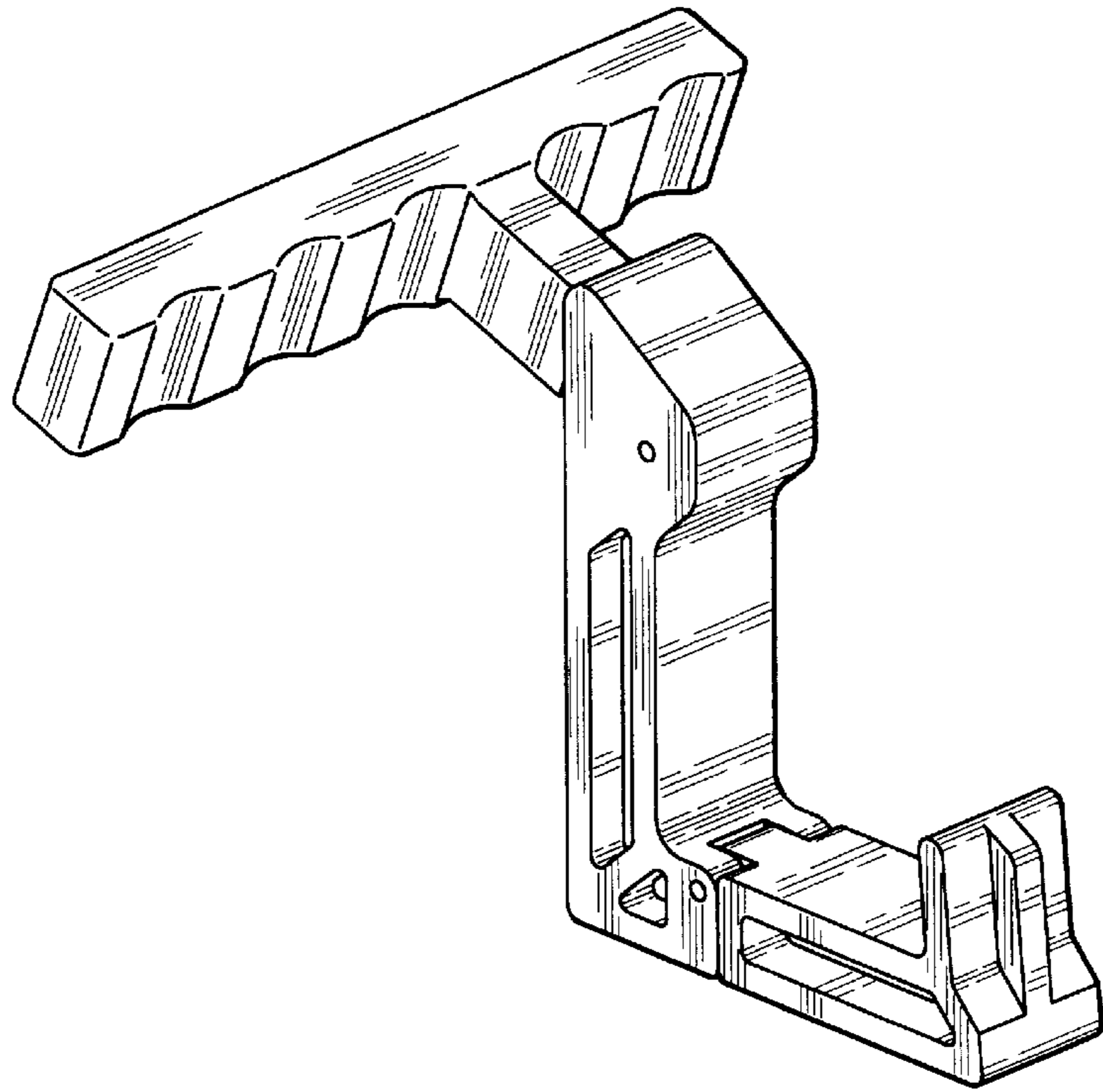


FIG. 1

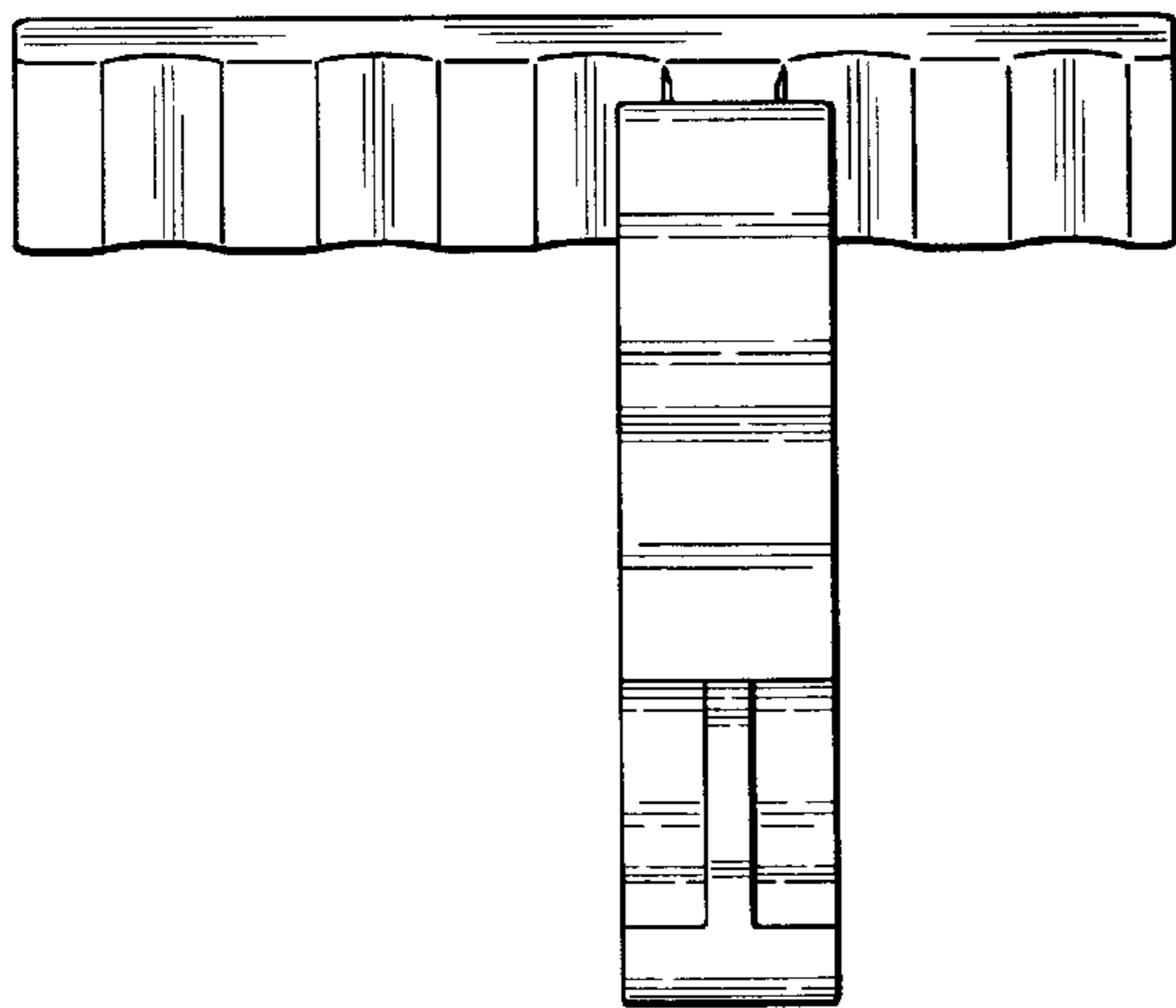


FIG. 2

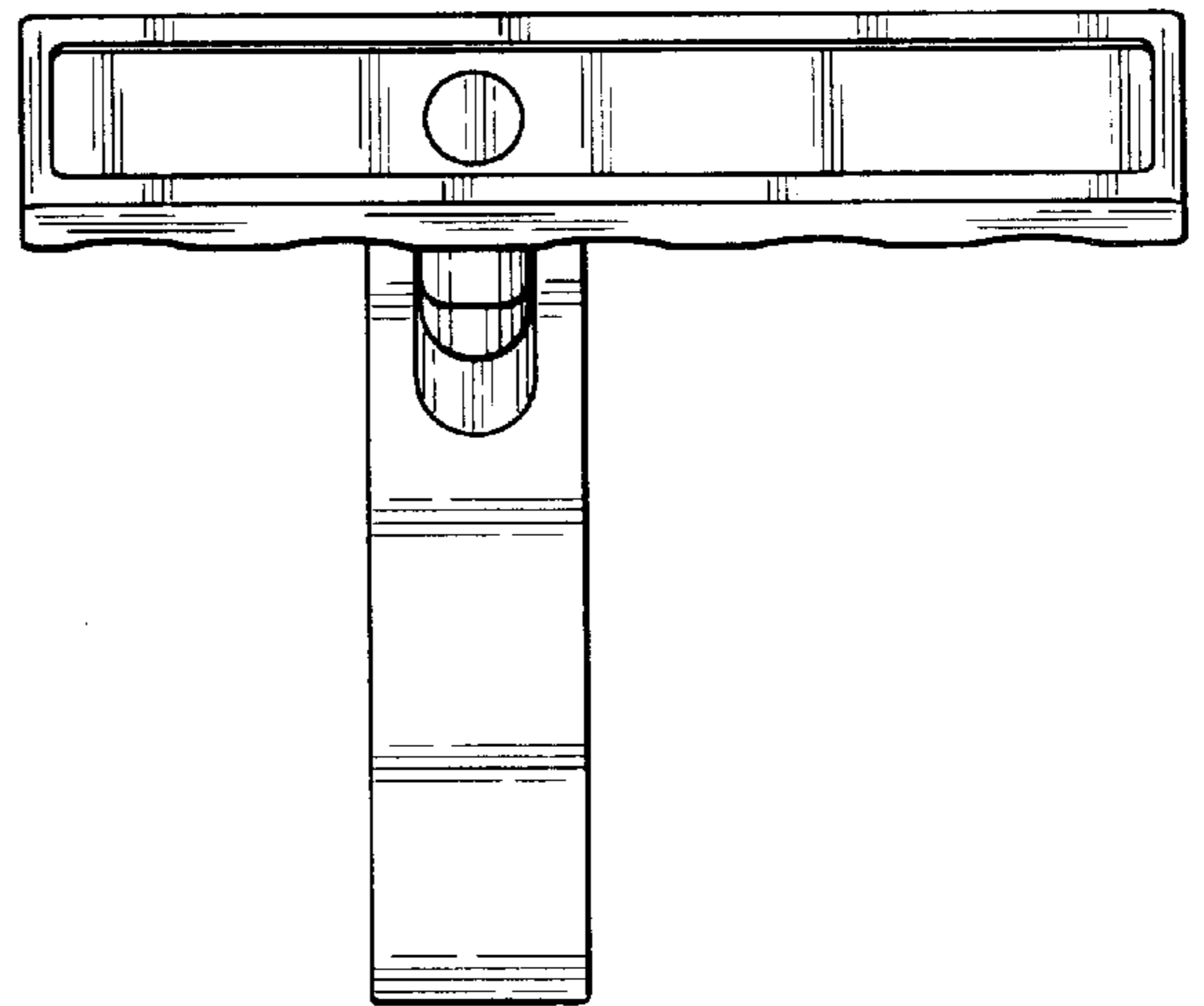


FIG. 3

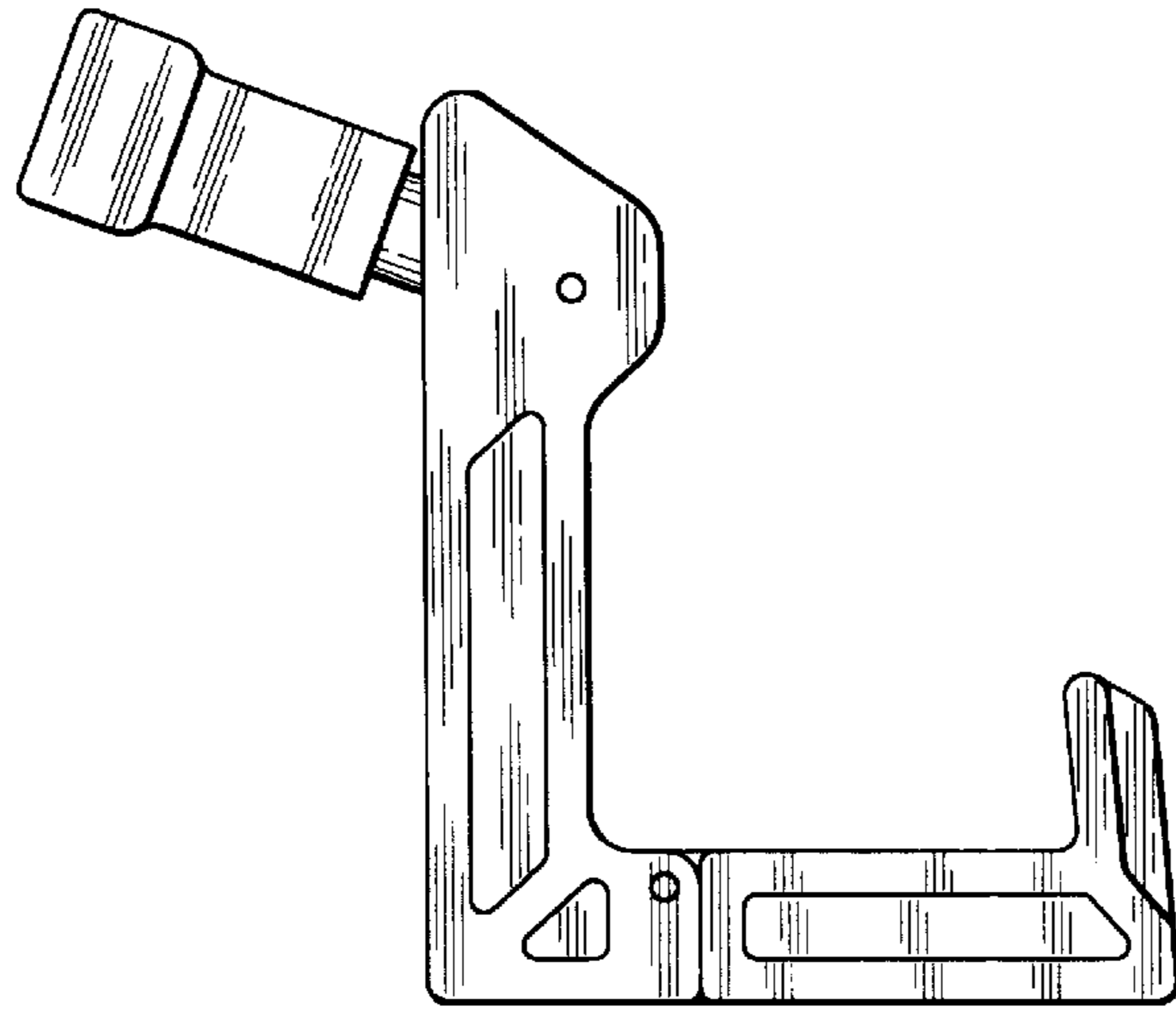


FIG. 4

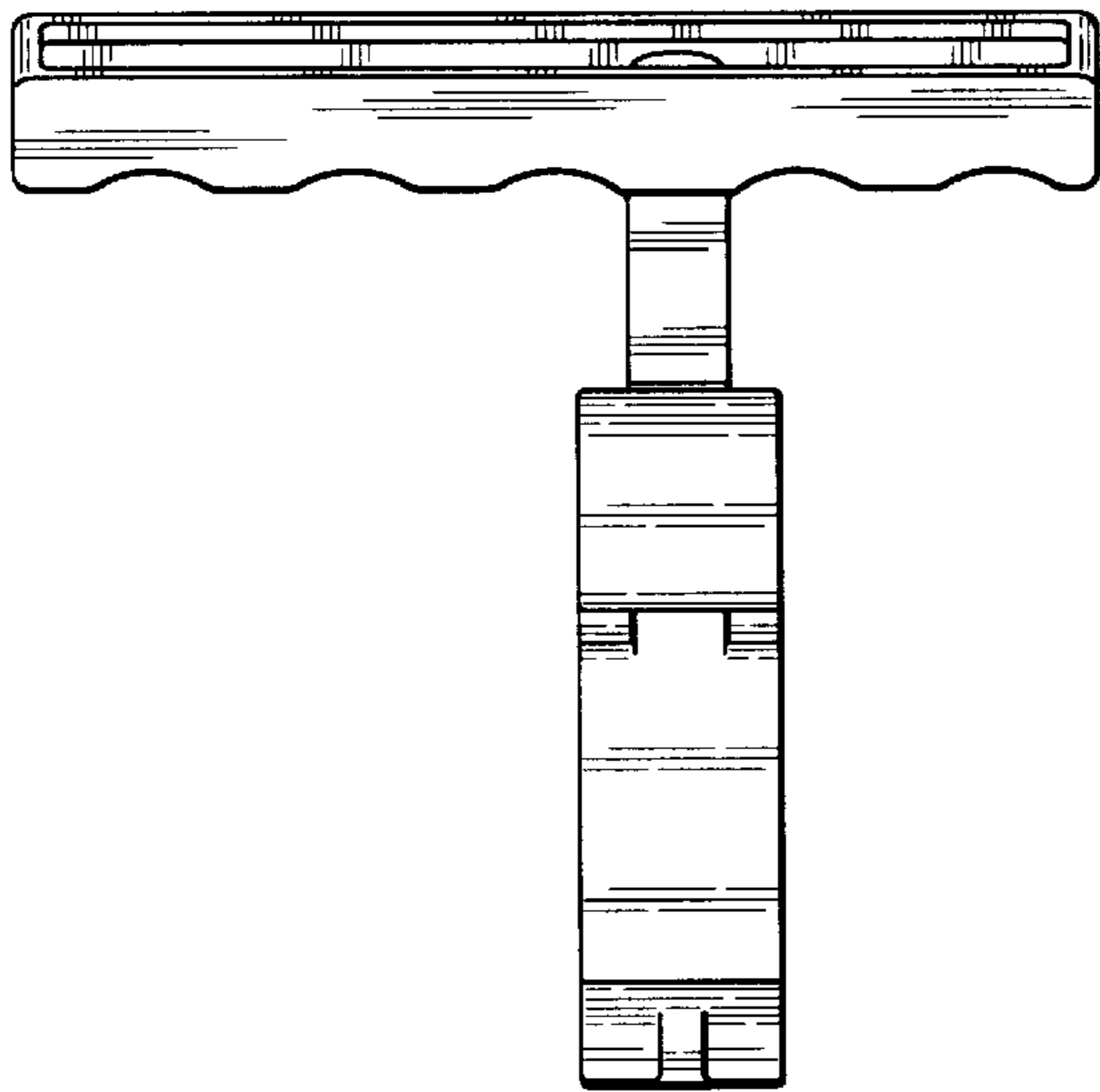


FIG. 5

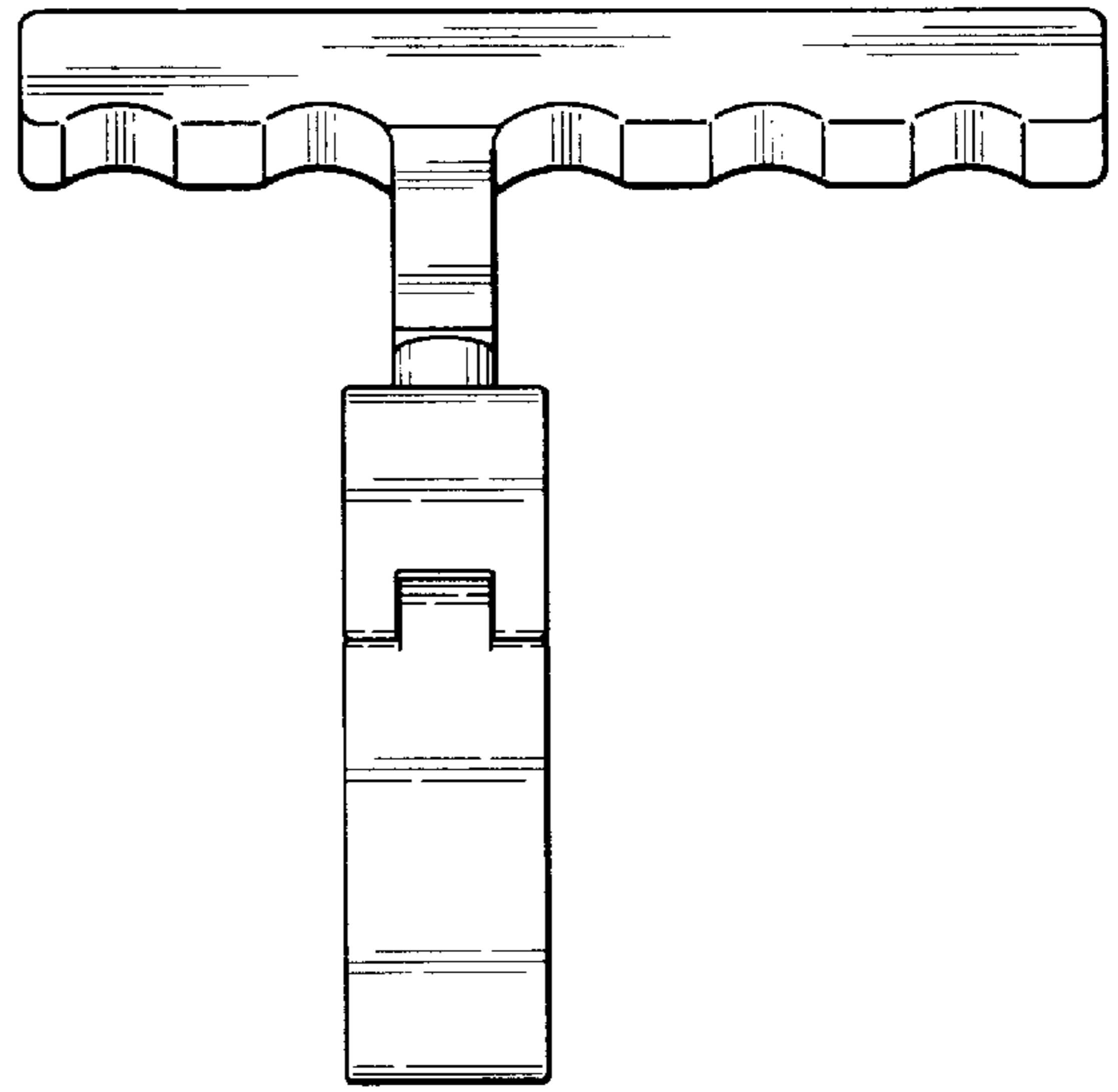


FIG. 6

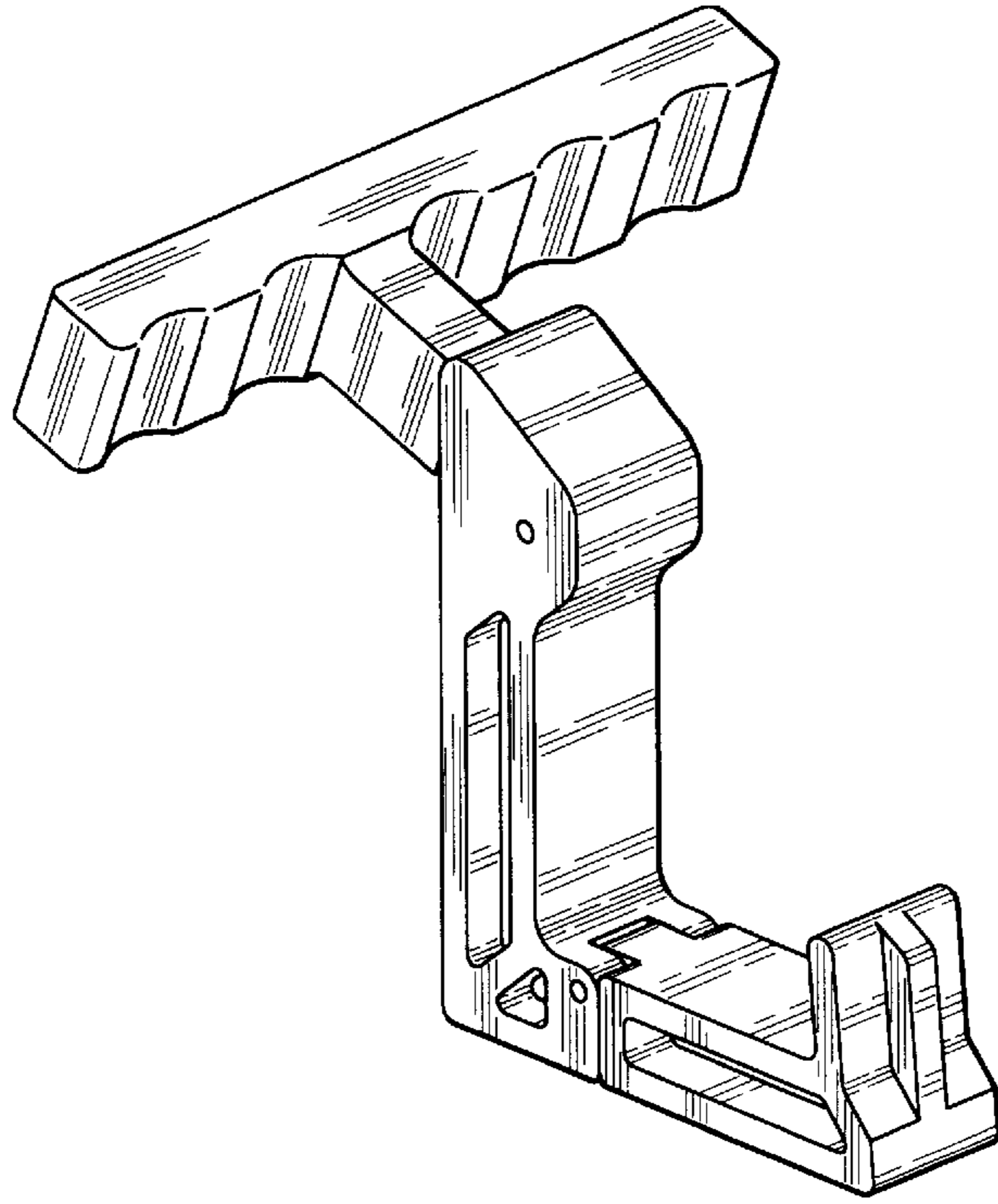


FIG. 7

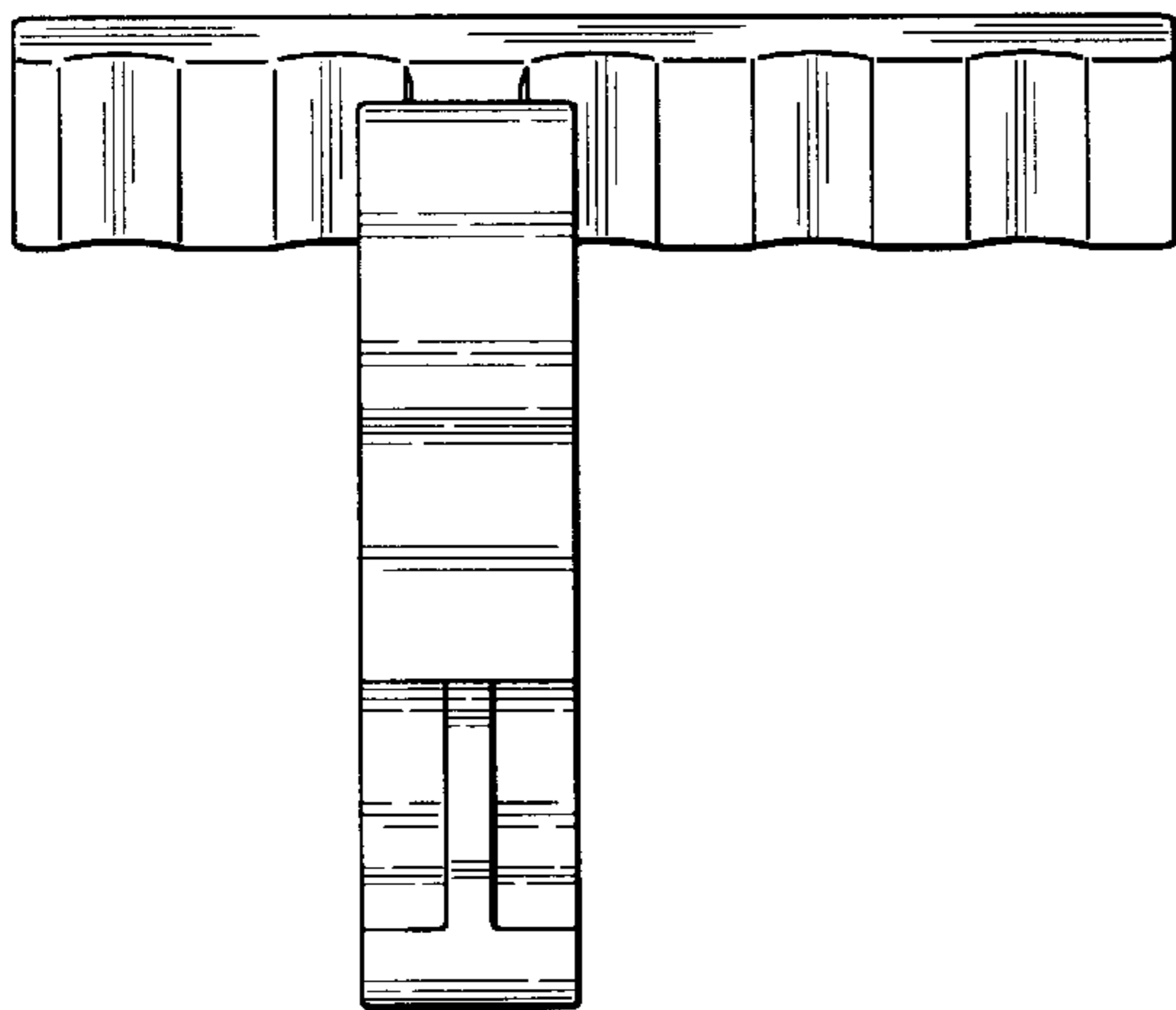


FIG. 8

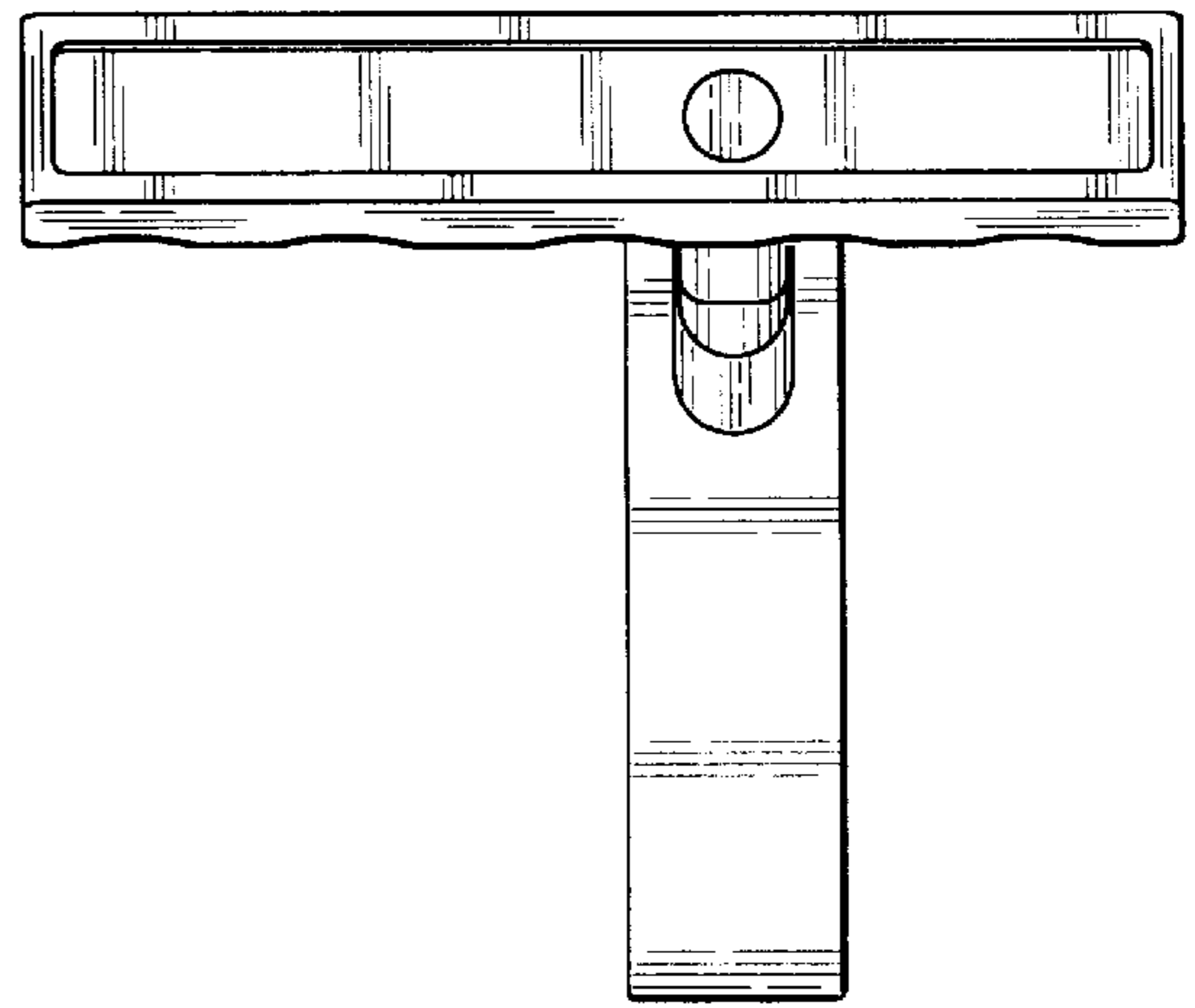


FIG. 9

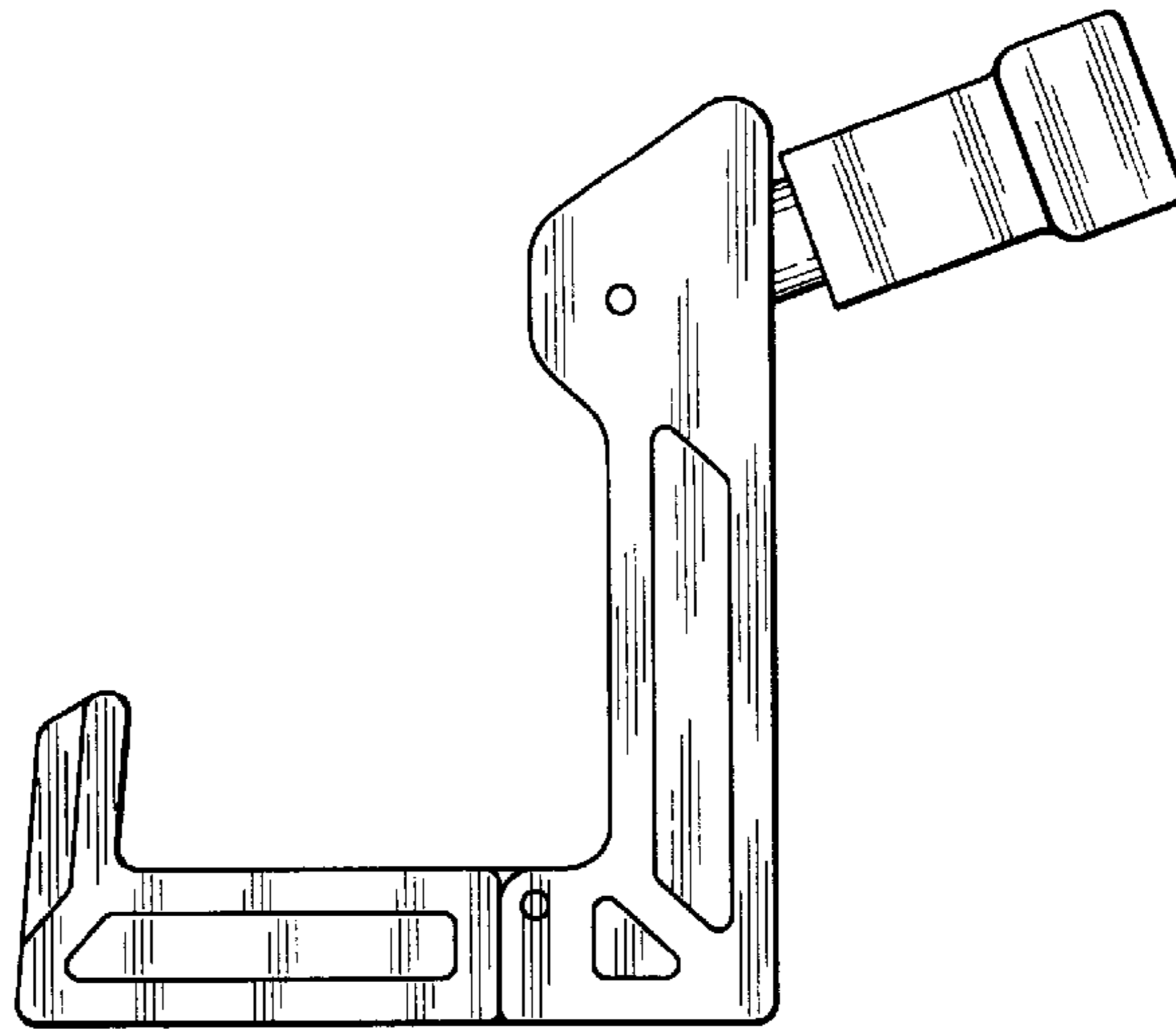


FIG. 10

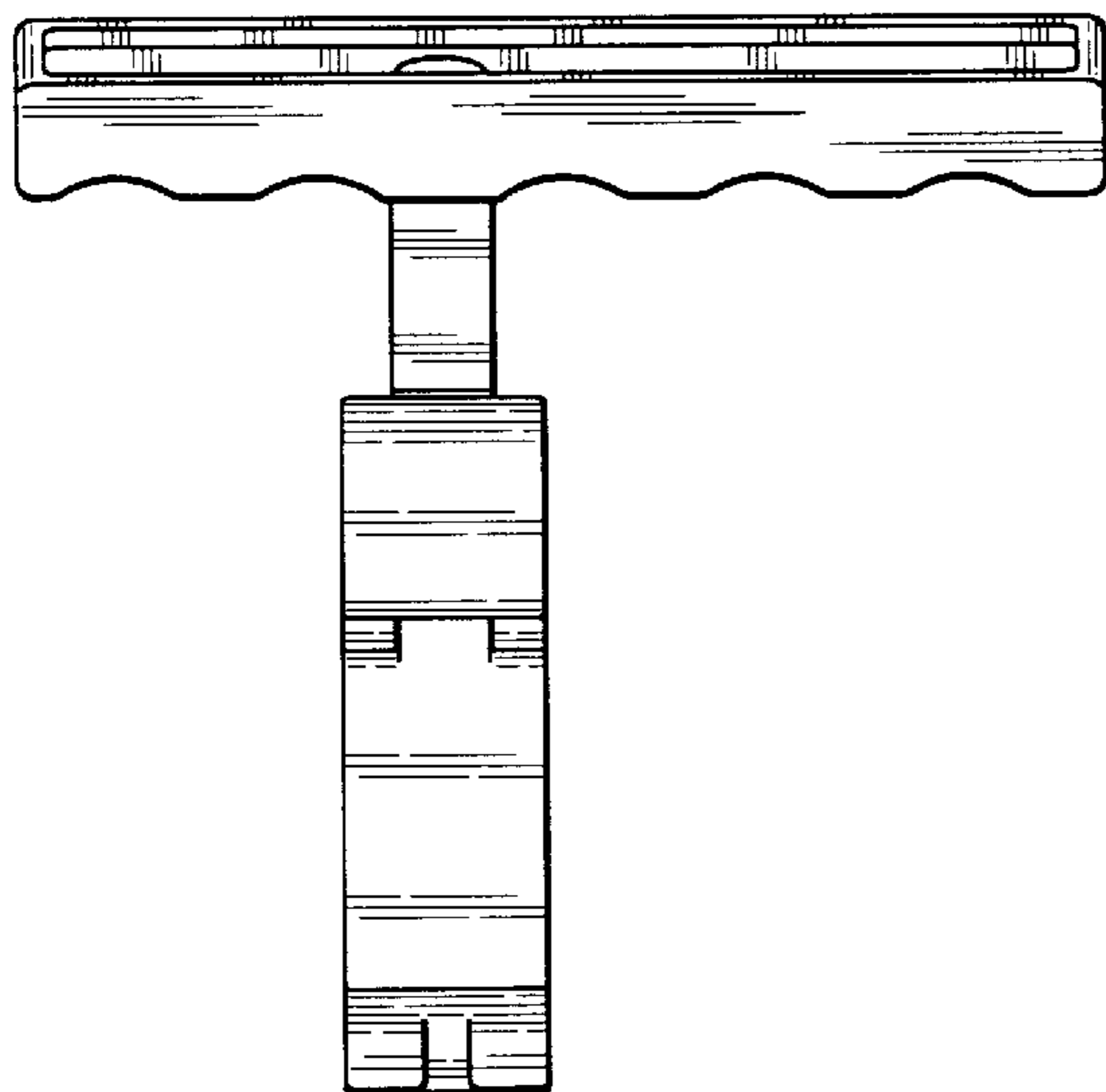


FIG. 11

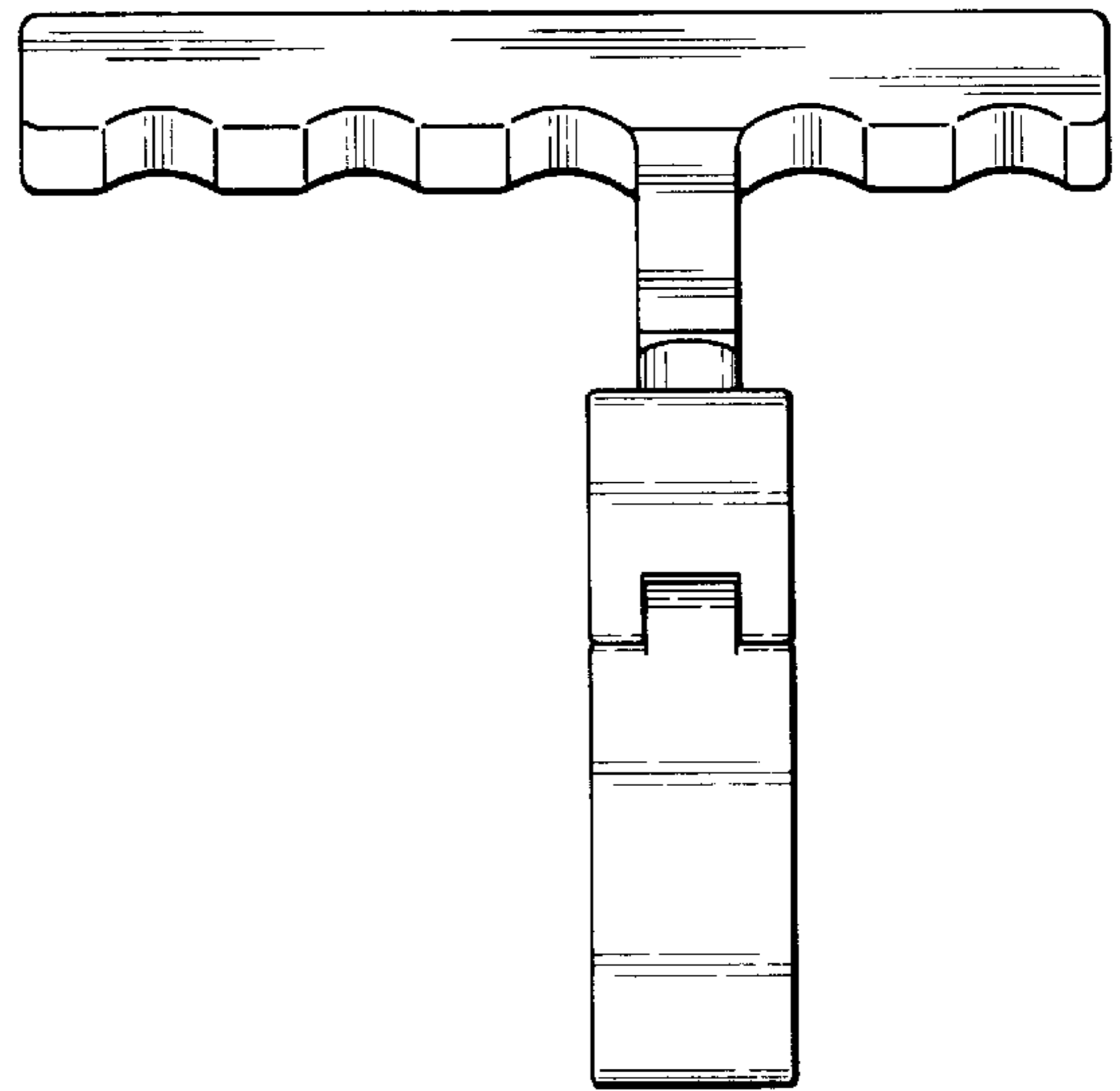


FIG. 12

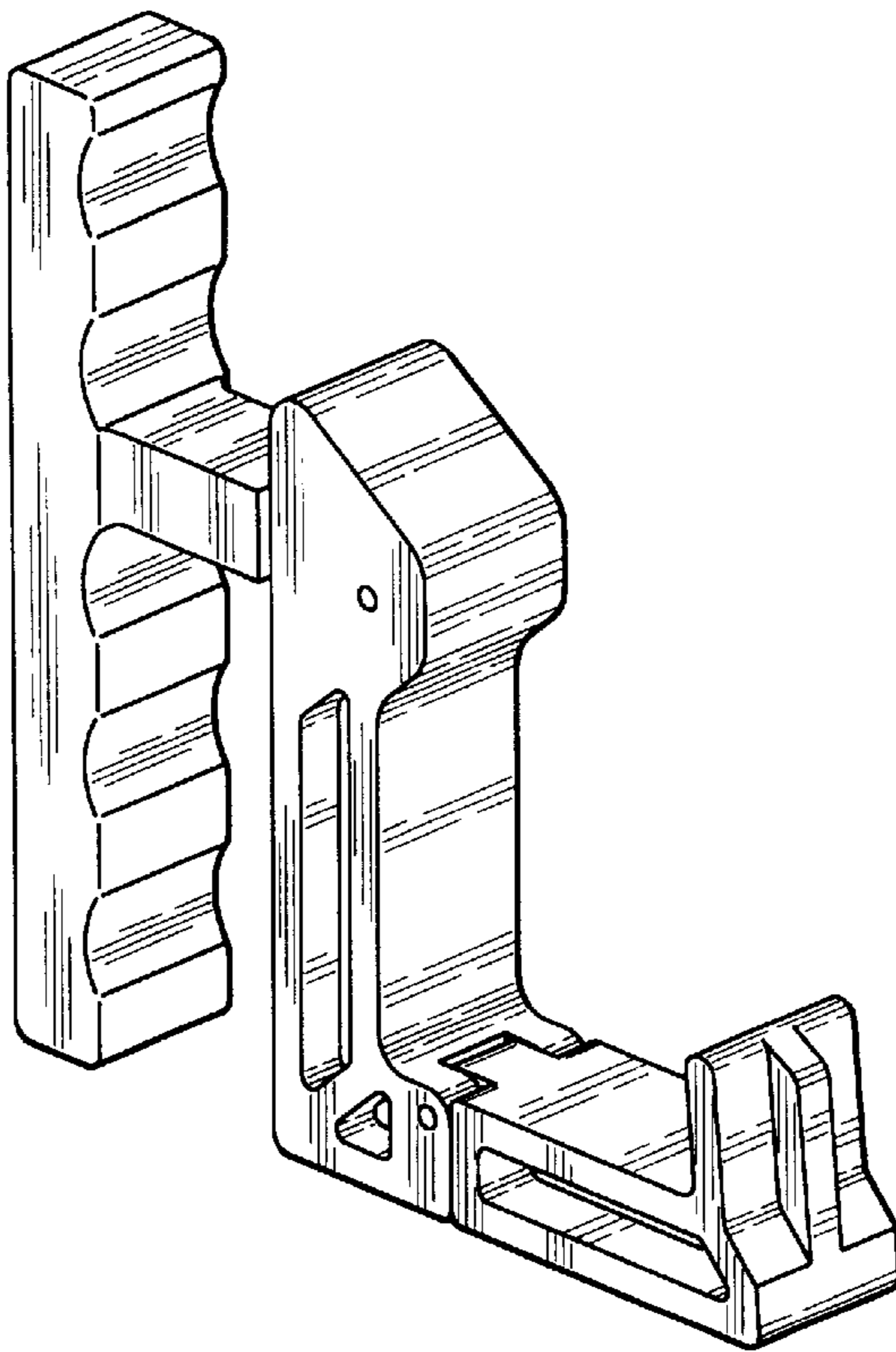


FIG. 13

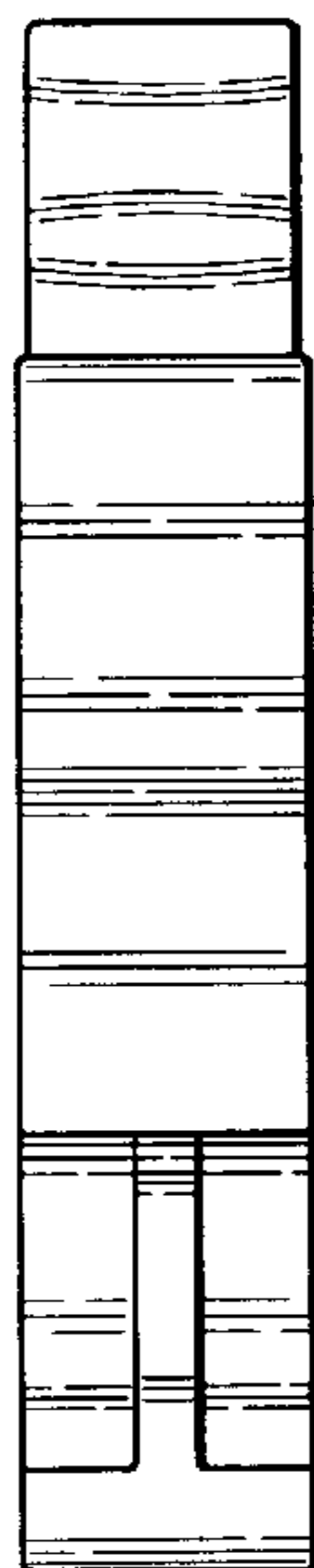


FIG. 14

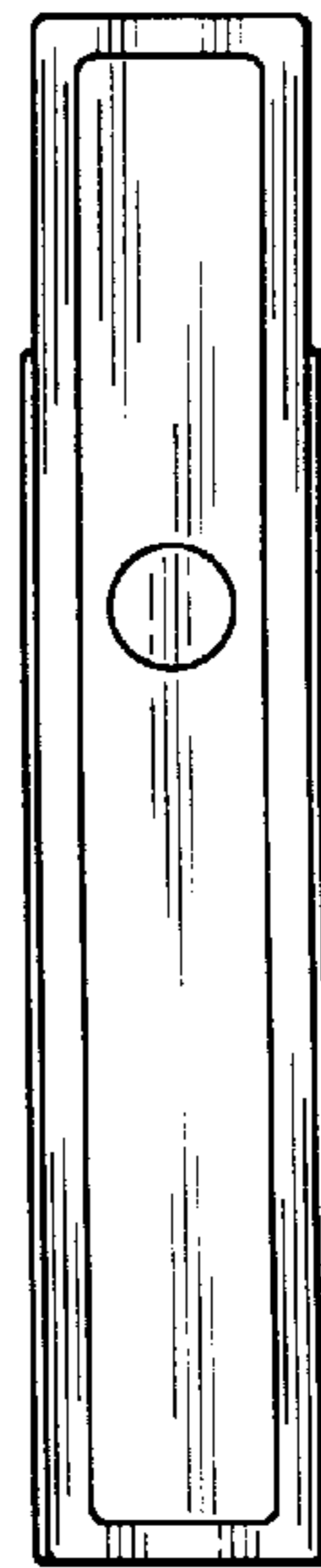


FIG. 15

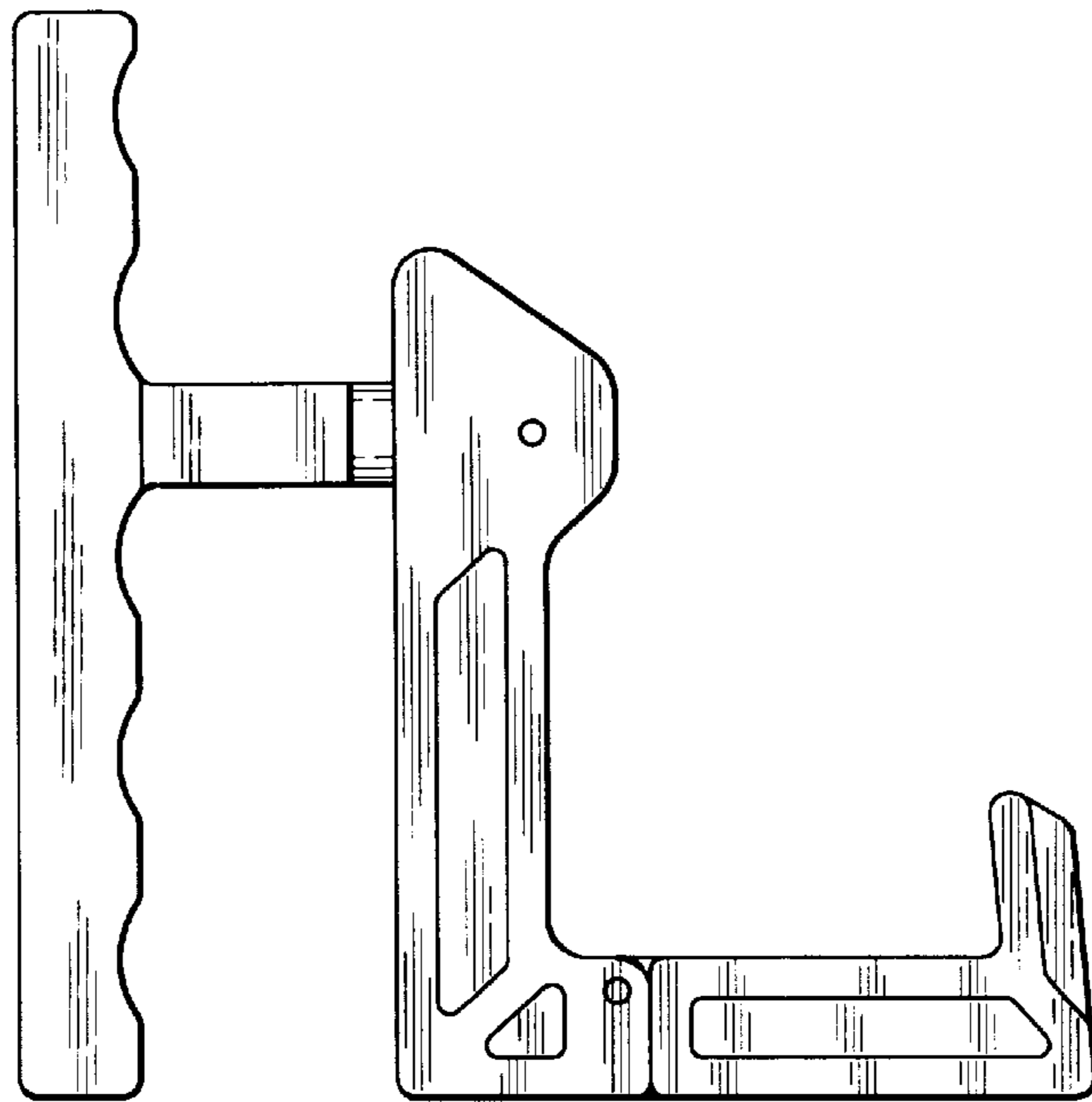


FIG. 16

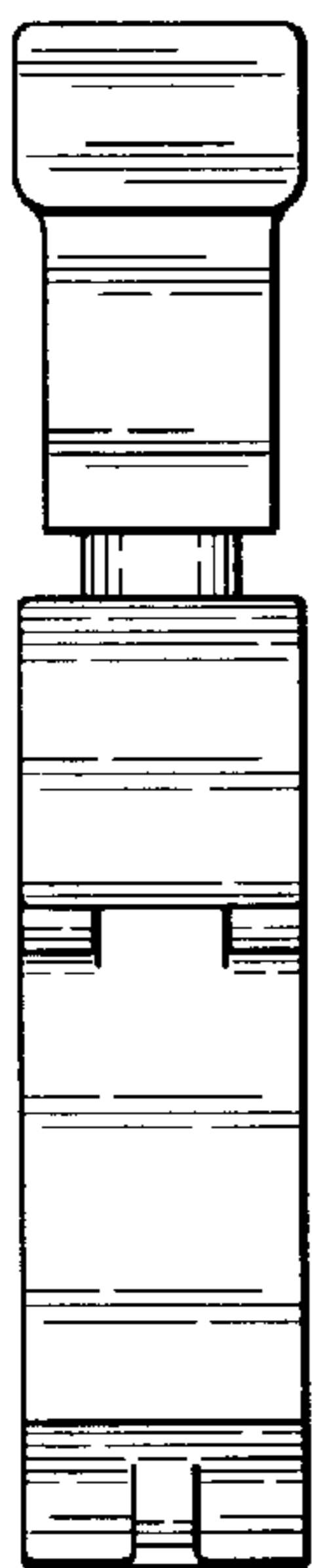


FIG. 17

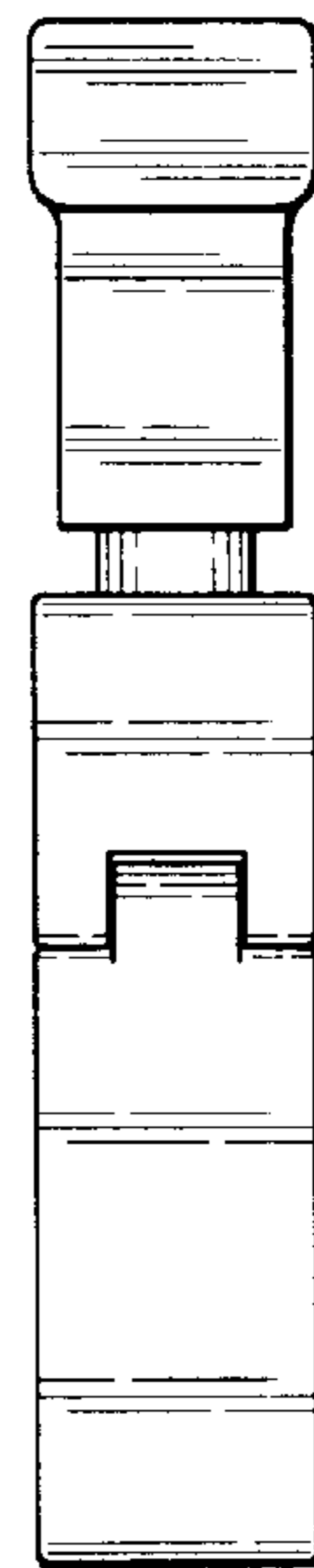


FIG. 18

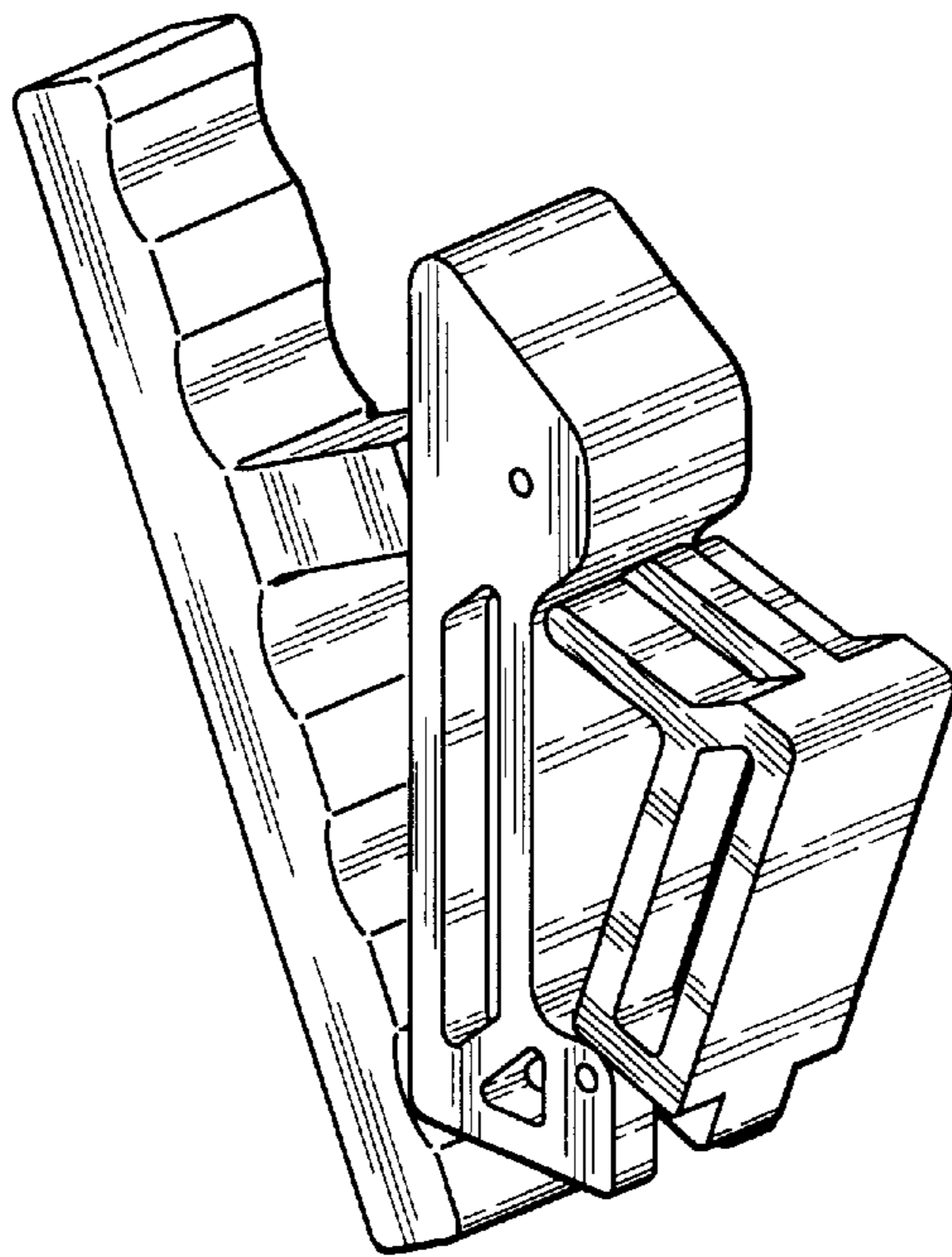


FIG. 19

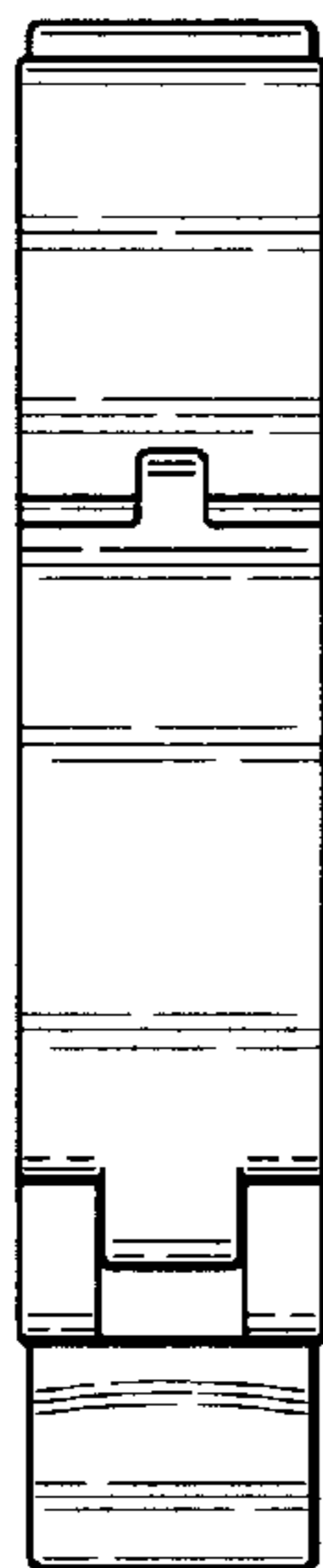


FIG. 20

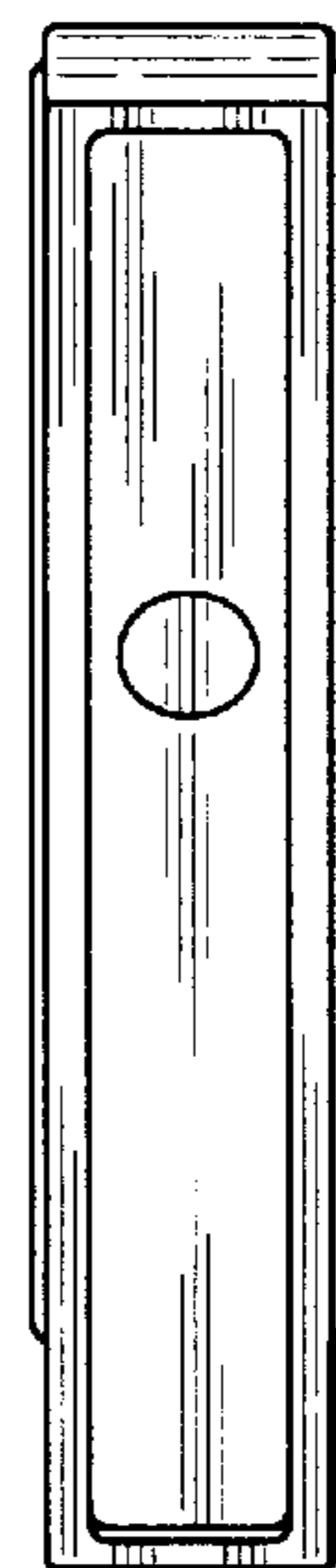


FIG. 21

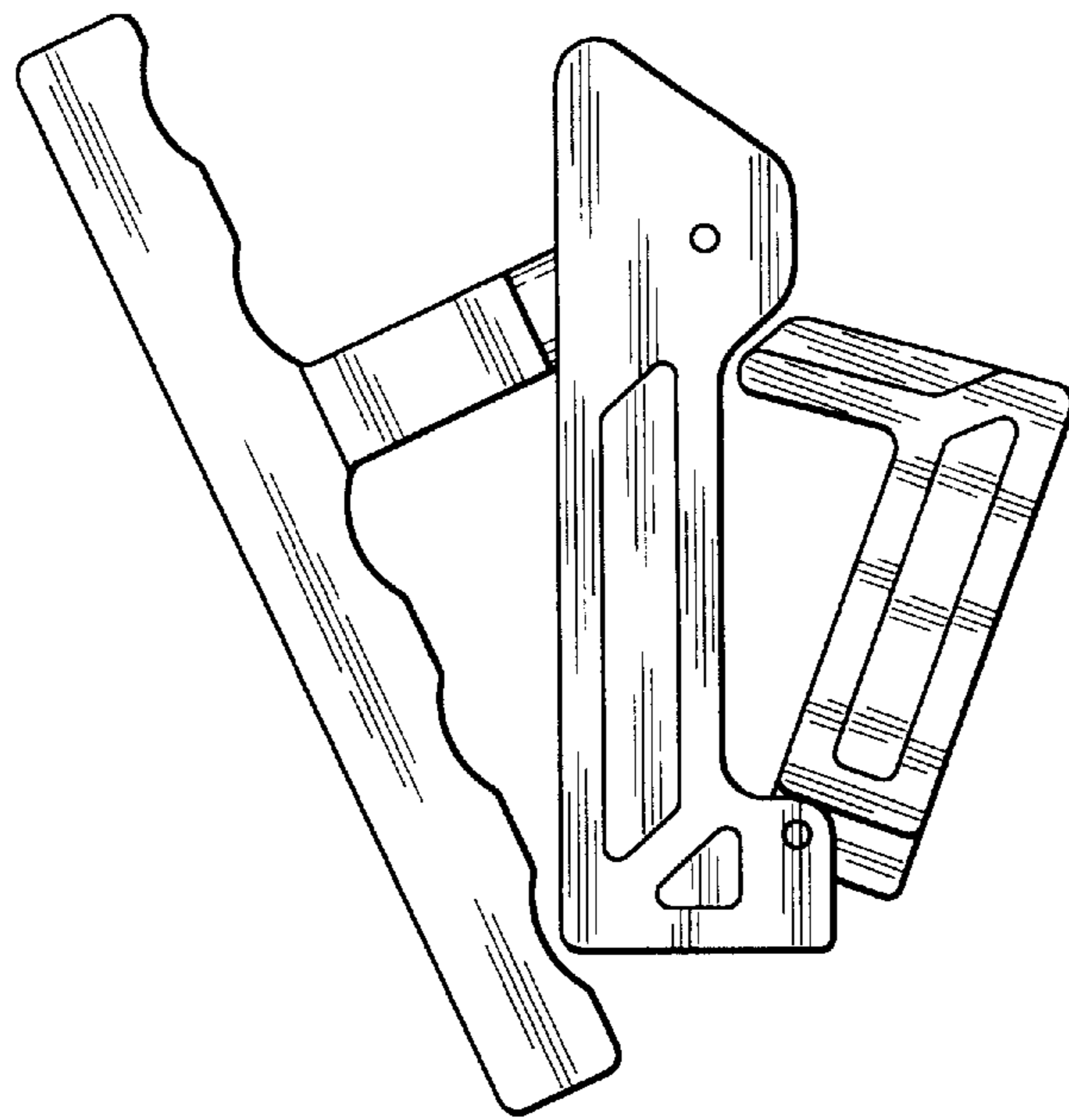


FIG. 22

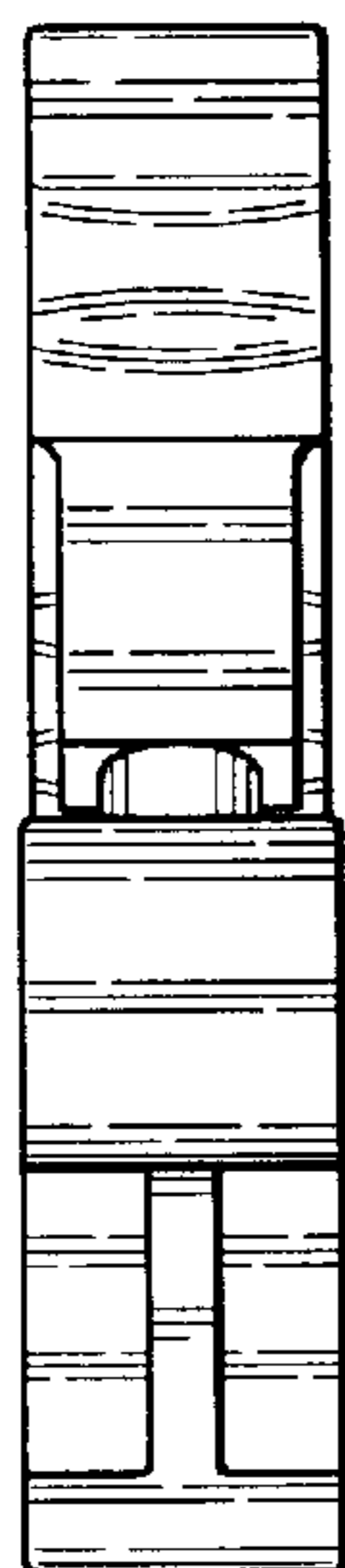


FIG. 23

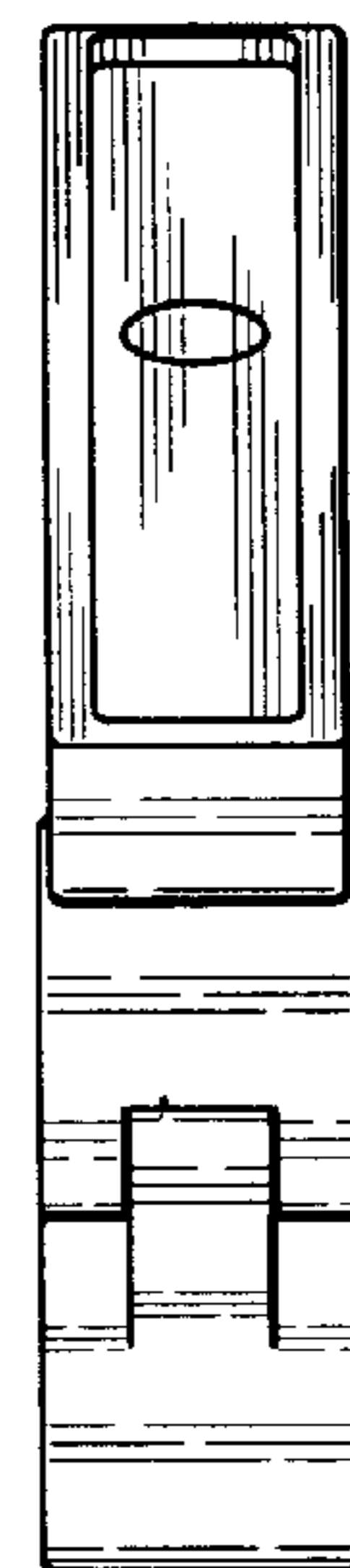


FIG. 24