



US00D402467S

United States Patent [19]
Scola

[11] **Patent Number: Des. 402,467**

[45] **Date of Patent: **Dec. 15, 1998**

[54] **WIRE HANGER CARRIER**

[76] Inventor: **Vito A. Scola**, 150 Apple Gate Rd.,
Cranston, R.I. 02920

[**] Term: **14 Years**

[21] Appl. No.: **74,091**

[22] Filed: **Jul. 24, 1997**

[51] **LOC (6) Cl.** **03-01**

[52] **U.S. Cl.** **D3/315**

[58] **Field of Search** D3/315, 217; D9/434,
D9/435, 455; D8/300; 294/137, 142, 143,
141; 383/6, 15, 18, 22, 23

[56] **References Cited**

U.S. PATENT DOCUMENTS

D. 256,405	8/1980	Wheeler	D3/315
D. 369,470	5/1996	Suggs, Sr.	D3/328
D. 371,737	7/1996	May	D3/315
5,306,063	4/1994	Higgins et al.	294/143
5,558,383	9/1996	Lancellotti	294/143

Primary Examiner—Doris V. Coles
Assistant Examiner—Catherine R. Oliver
Attorney, Agent, or Firm—Salter & Michaelson

[57] **CLAIM**

The ornamental design for a wire hanger carrier, as shown and described.

DESCRIPTION

FIG. 1 is a perspective view of a wire hanger carrier showing my new design;

FIG. 2 is a bottom plan view thereof;

FIG. 3 is a top plan view thereof;

FIG. 4 is a rear elevational view thereof;

FIG. 5 is a front elevational view thereof;

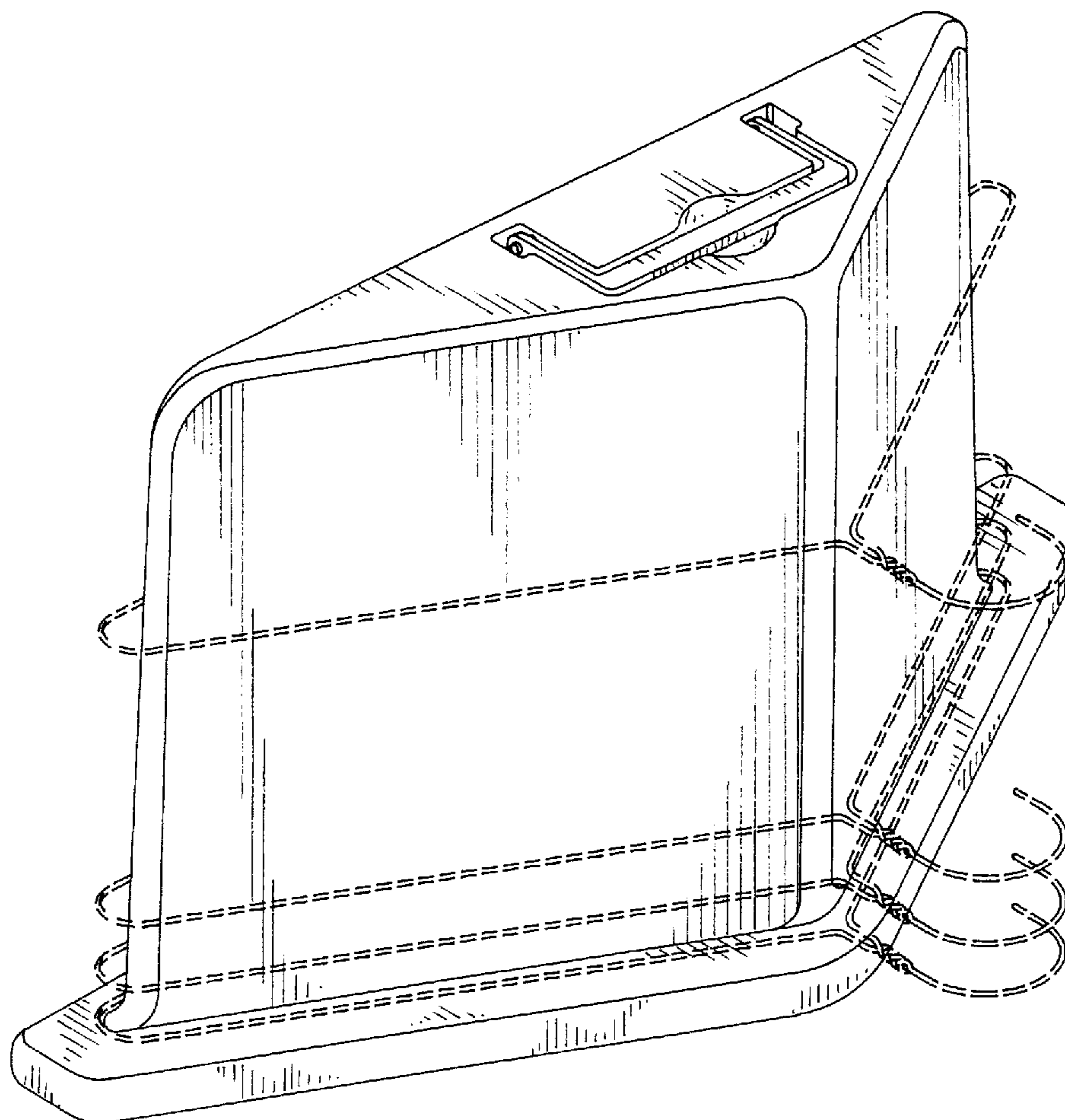
FIG. 6 is a left side view thereof;

FIG. 7 is a right view thereof; and,

FIG. 8 is a perspective view showing the handle in its operative position.

The portions shown in broken lines in FIGS. 1 and 8 are for information only and form no part of the instant design.

1 Claim, 3 Drawing Sheets



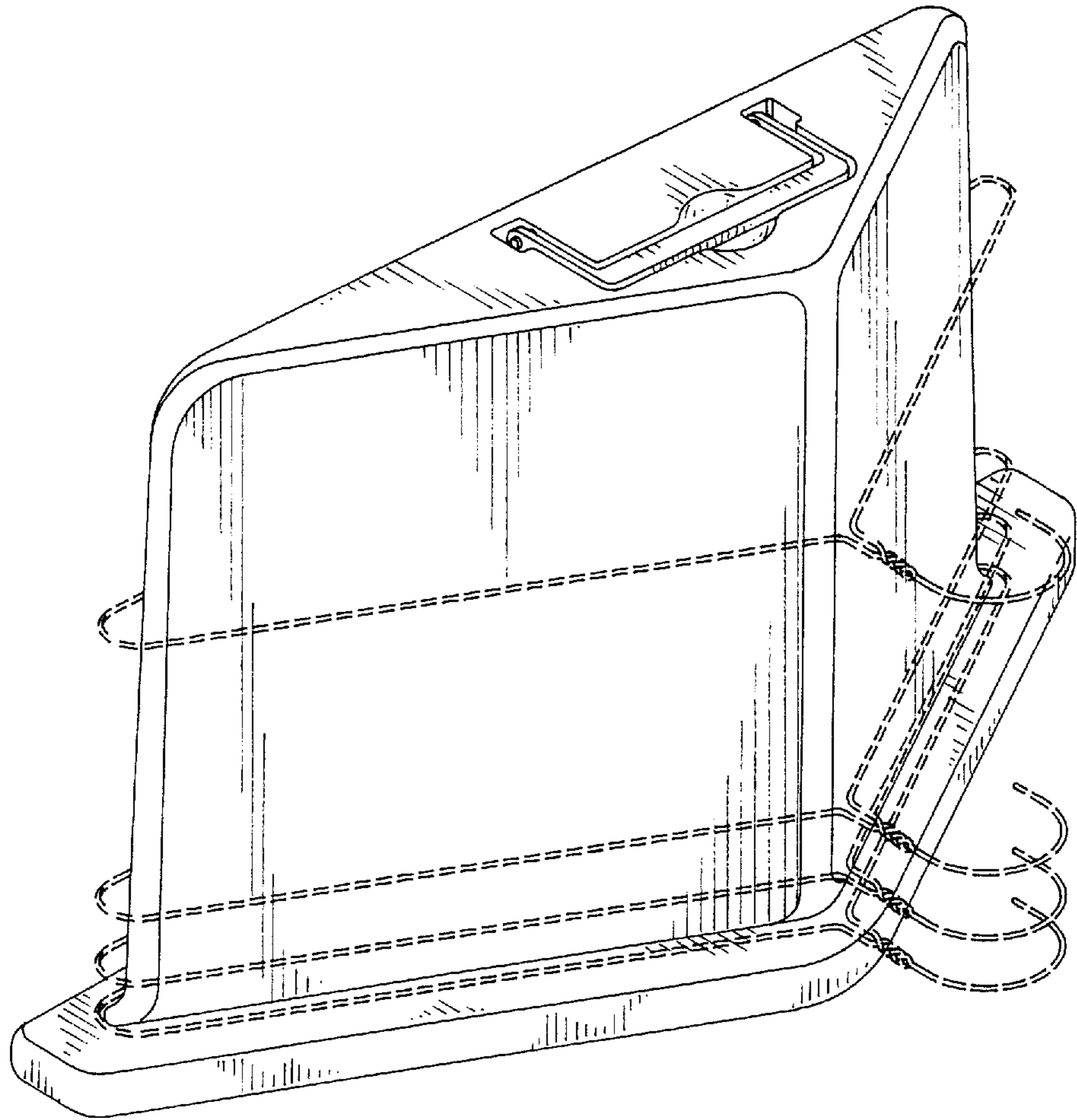


FIG. 1

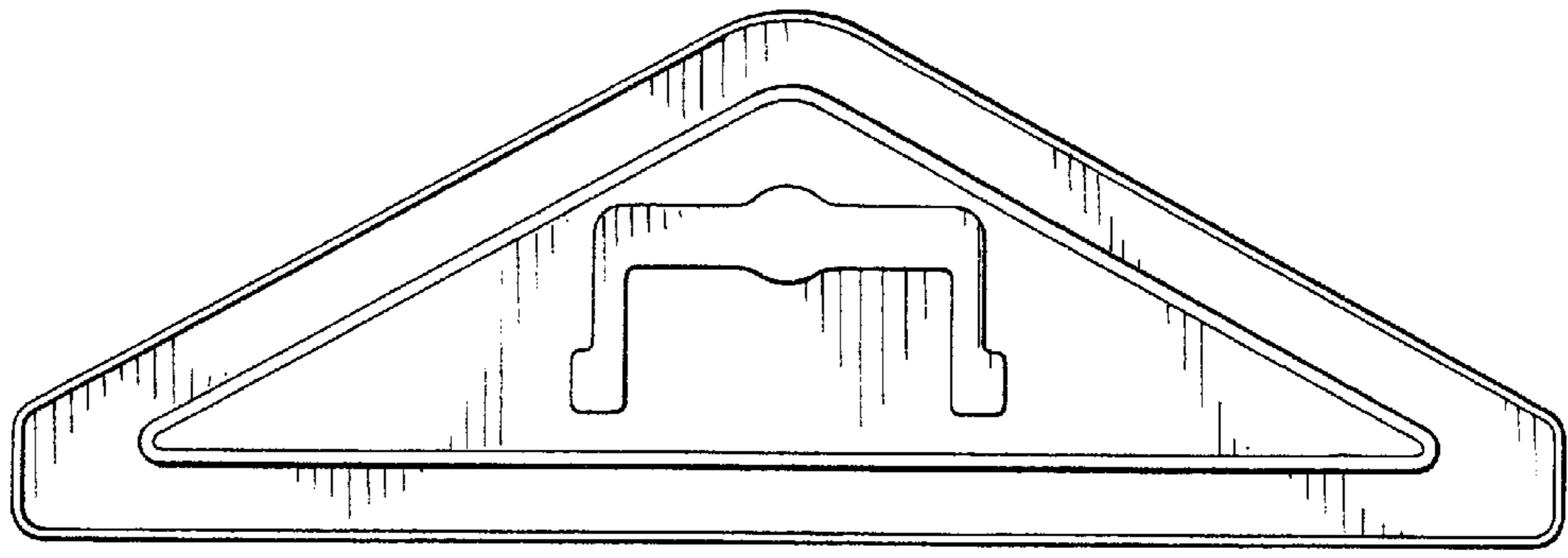


FIG. 2

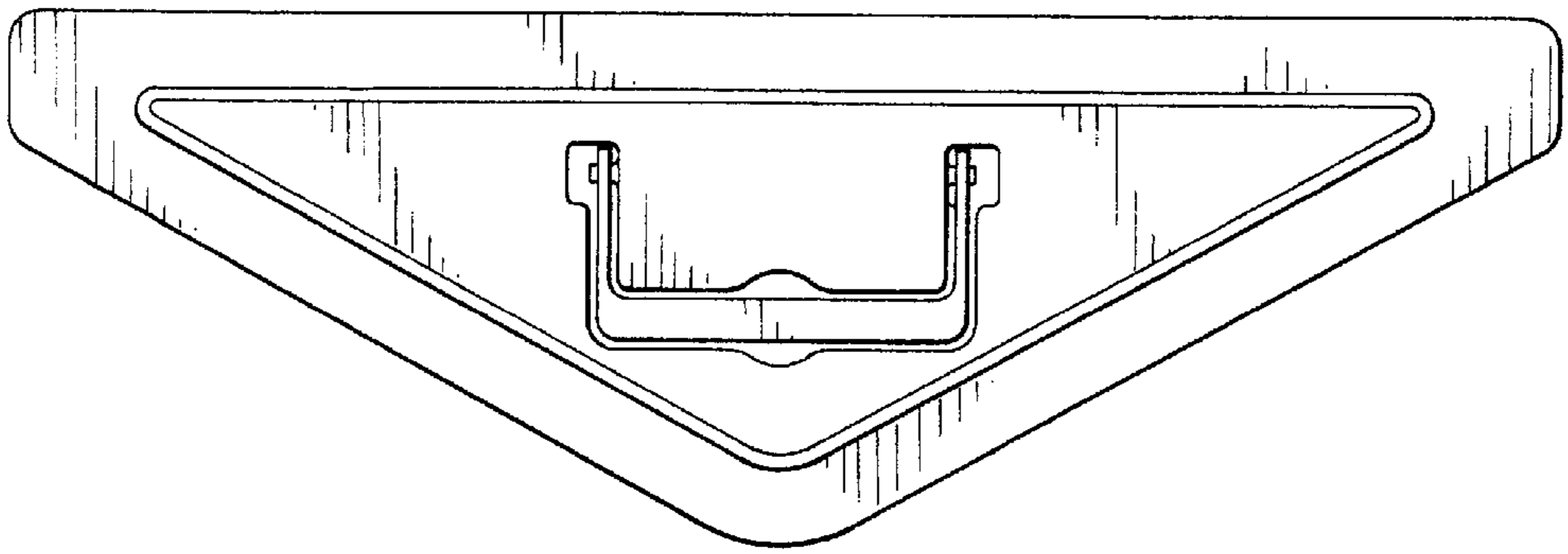


FIG. 3

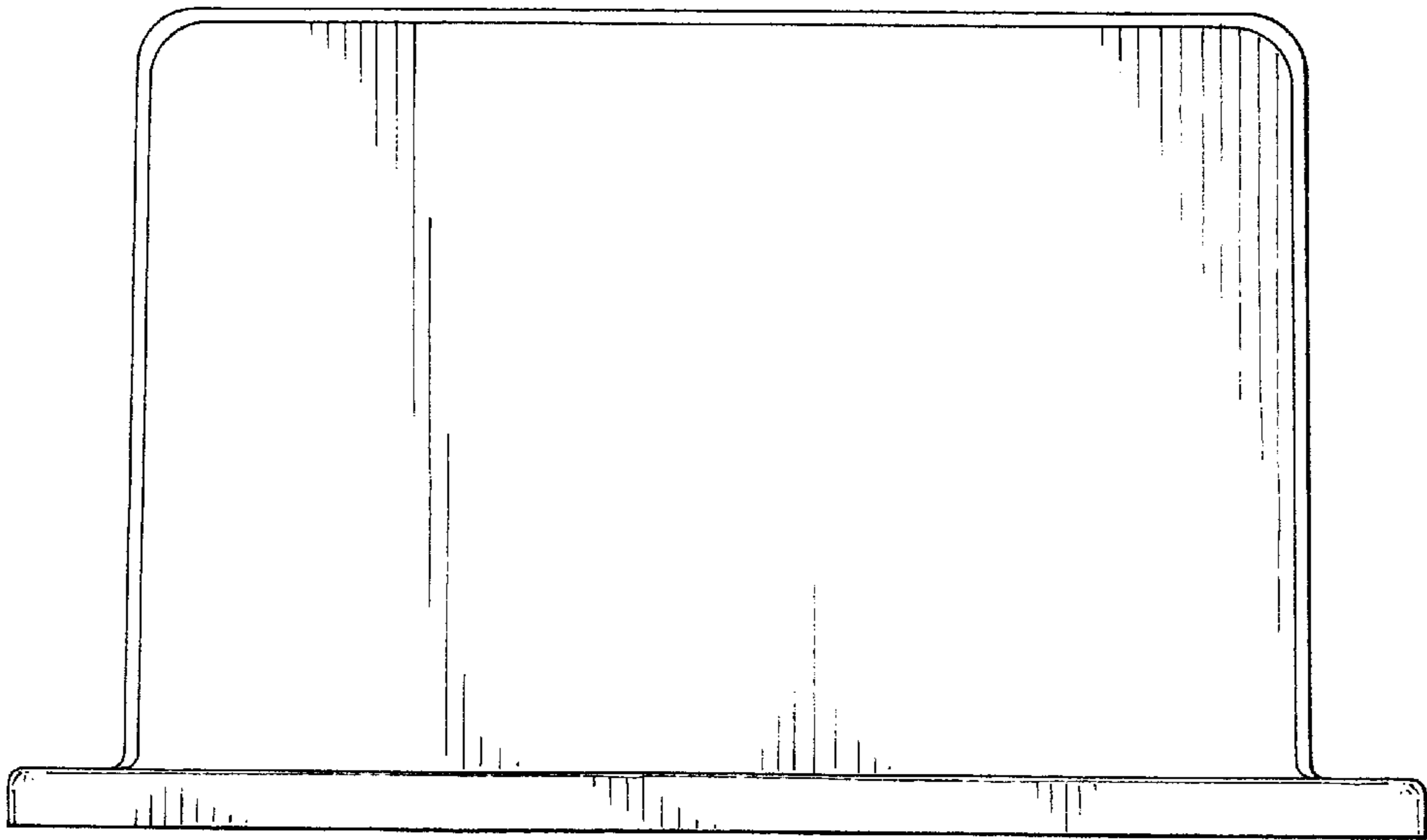


FIG. 4

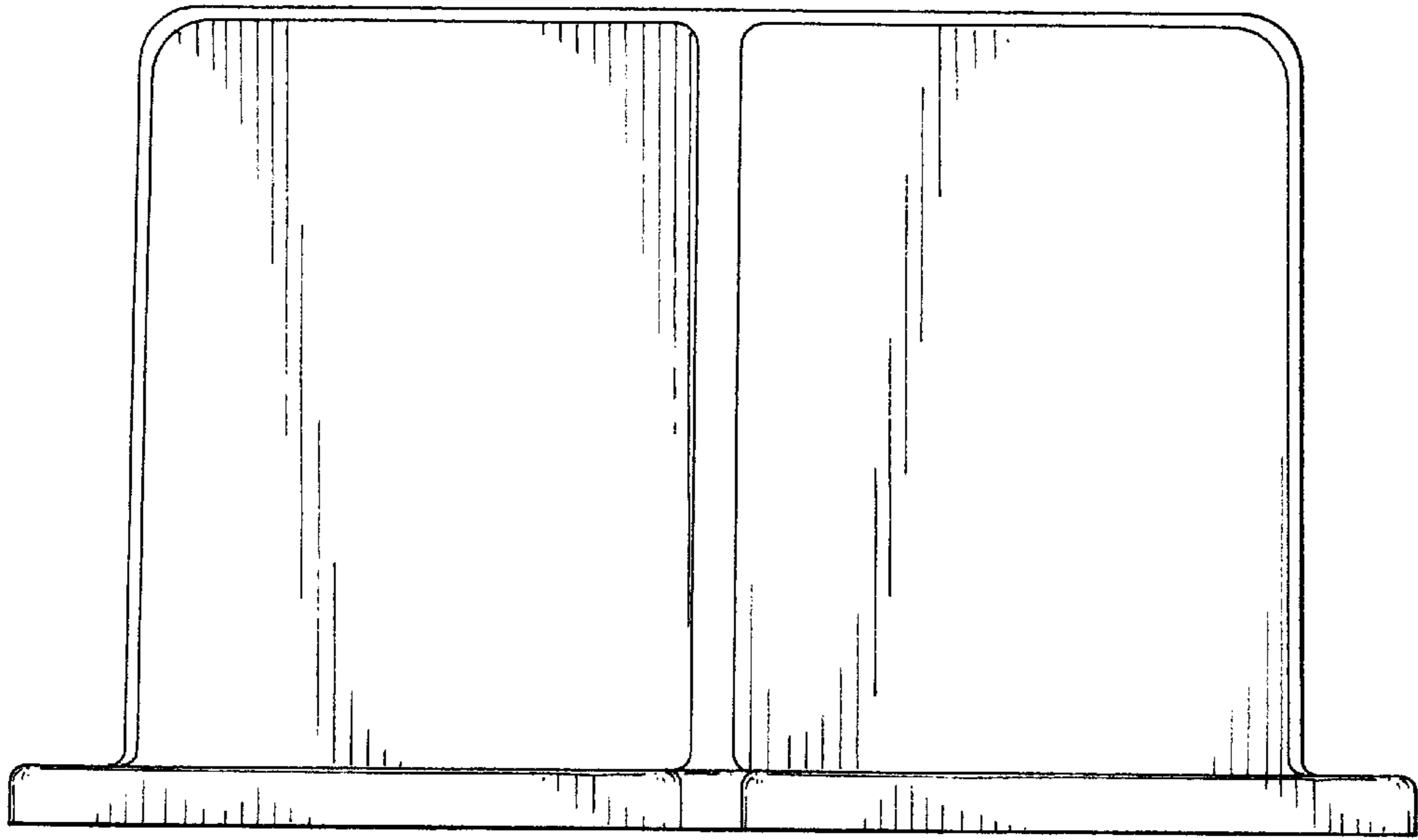


FIG. 5

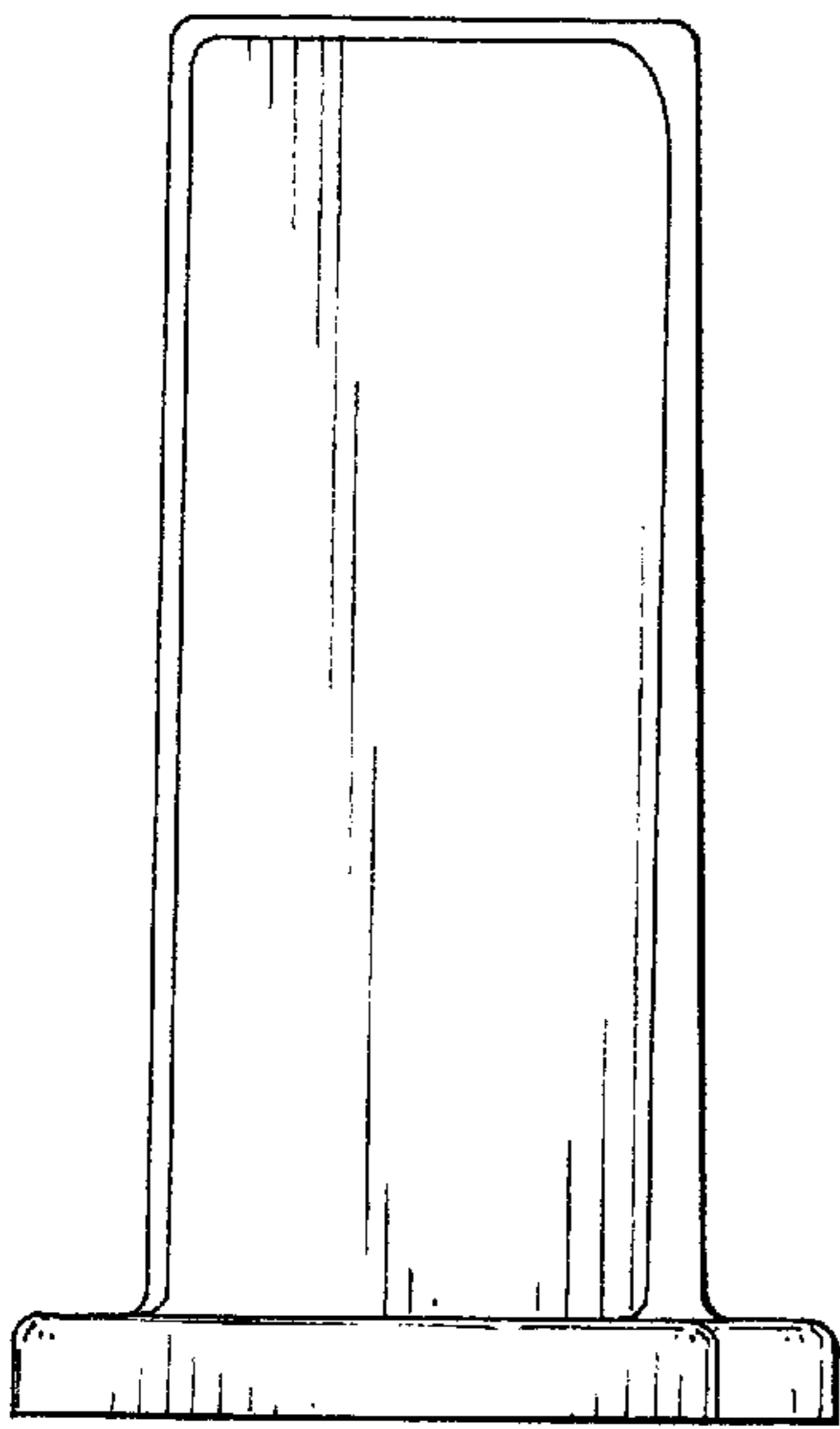


FIG. 6

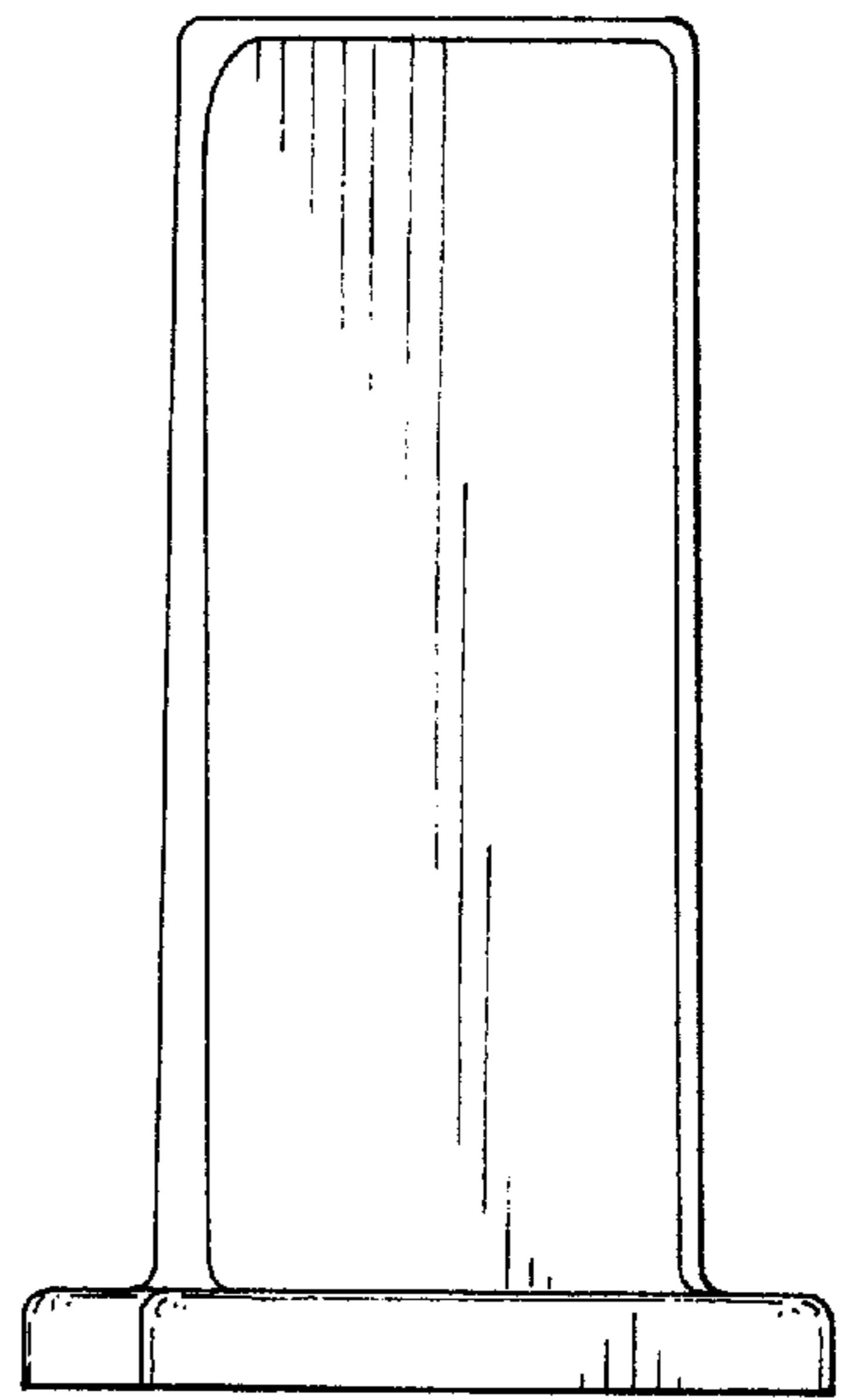


FIG. 7