



US00D402466S

United States Patent [19]

Werbesky, Jr.

[11] Patent Number: Des. 402,466

[45] Date of Patent: **Dec. 15, 1998

[54] SAFETY PROPANE TRANSPORTER

[76] Inventor: George Werbesky, Jr., 18 Jackson Pl., Darien, Conn. 06820

[**] Term: 14 Years

[21] Appl. No.: 71,542

[22] Filed: May 30, 1997

[51] LOC (6) Cl. 03-01

[52] U.S. Cl. D3/304; D3/304

[58] Field of Search D3/304, 307-314; D9/424, 425, 432, 430; 206/503, 505, 509, 515, 518, 519; 220/608, 676

[56] References Cited

U.S. PATENT DOCUMENTS

D. 302,620	8/1989	Quong	D3/314
D. 351,063	10/1994	Fenelon	D3/304
D. 363,662	10/1995	Plater	D9/425
3,759,416	9/1973	Constantine	206/505

Primary Examiner—Ted Shooman
Assistant Examiner—Richelle Shelton
Attorney, Agent, or Firm—St. Onge Steward Johnston & Reens

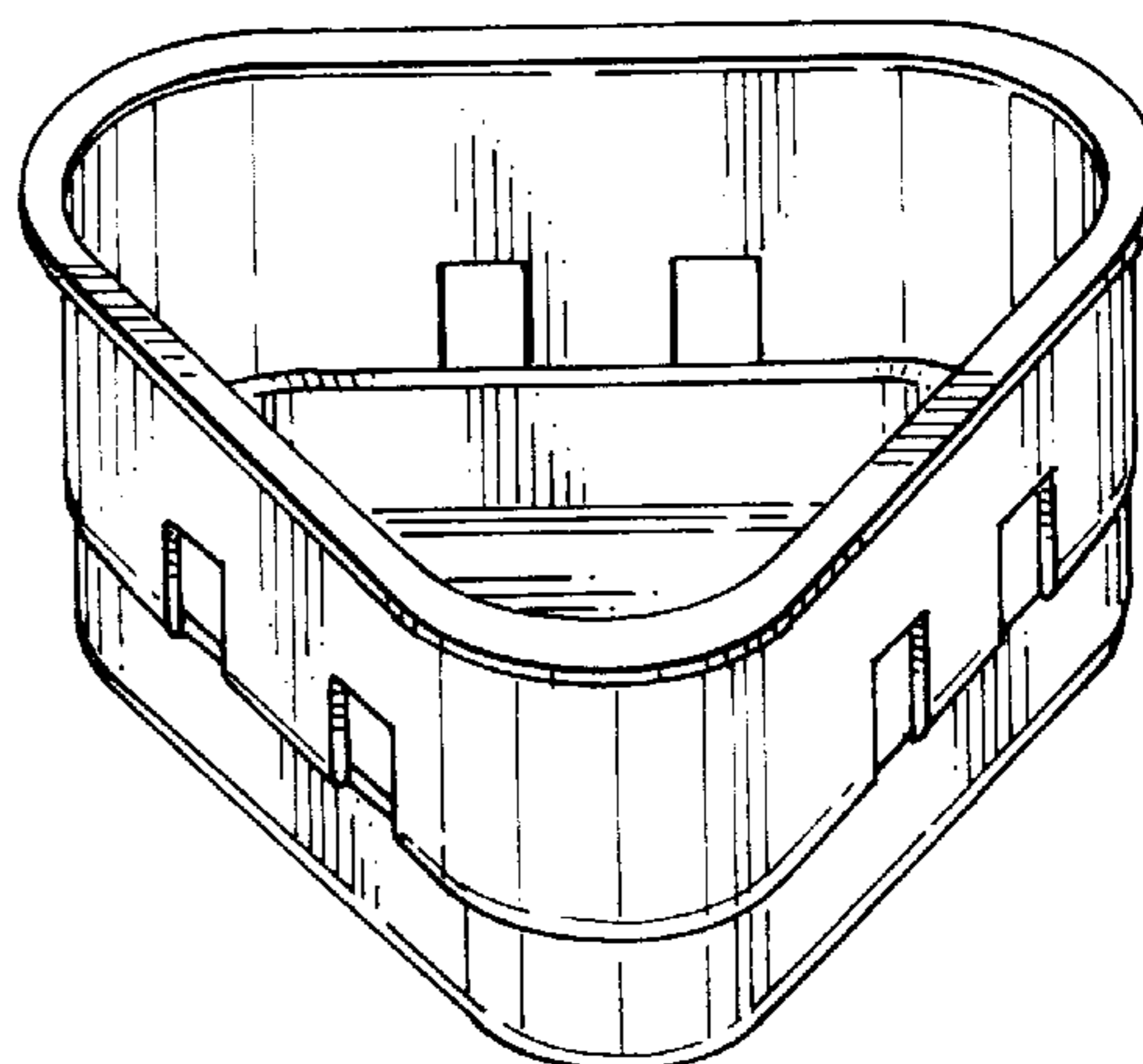
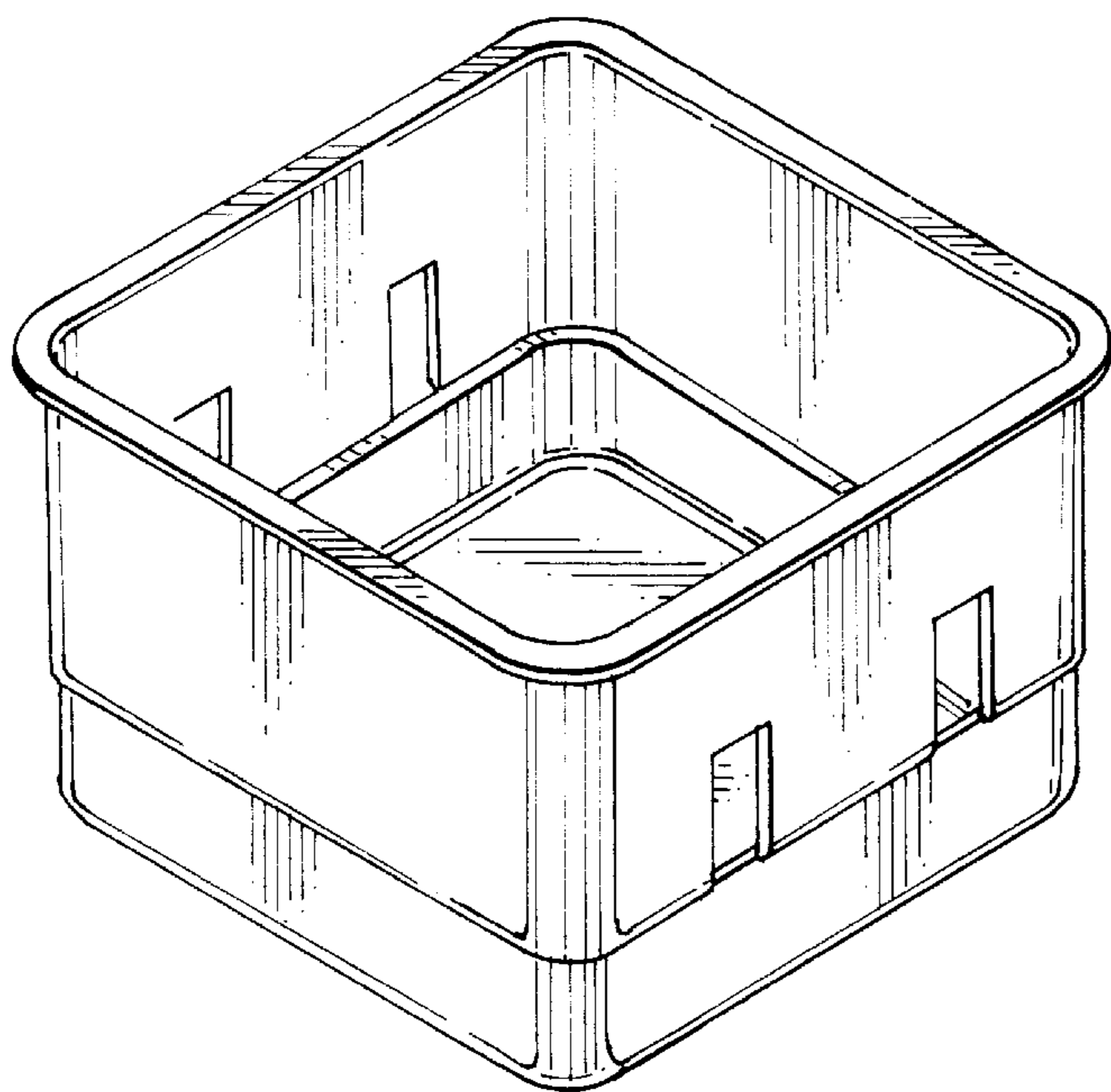
[57] CLAIM

The ornamental design for a safety propane transporter, as shown and described.

DESCRIPTION

FIG. 1 is a front and left side perspective view of a four sided embodiment of safety propane transporter showing my new design;
FIG. 2 is a front side elevational view thereof, the rear side thereof being identical;
FIG. 3 is a bottom plan view thereof;
FIG. 4 is a top plan view thereof;
FIG. 5 is a left side elevational view thereof, the right side thereof being identical; and,
FIG. 6 is a front and left side perspective view of a three sided embodiment of a safety propane transporter showing my new design; the left side, right side, and rear side of this embodiment being similar to the view of FIG. 2; the front side being visible as shown in this FIG. and FIG. 2 will comprise visible adjacent walls; the bottom of this embodiment being similar to FIG. 3 except that it is three-sided; and the top of this embodiment being similar to FIG. 4 except that it is three-sided.

1 Claim, 2 Drawing Sheets



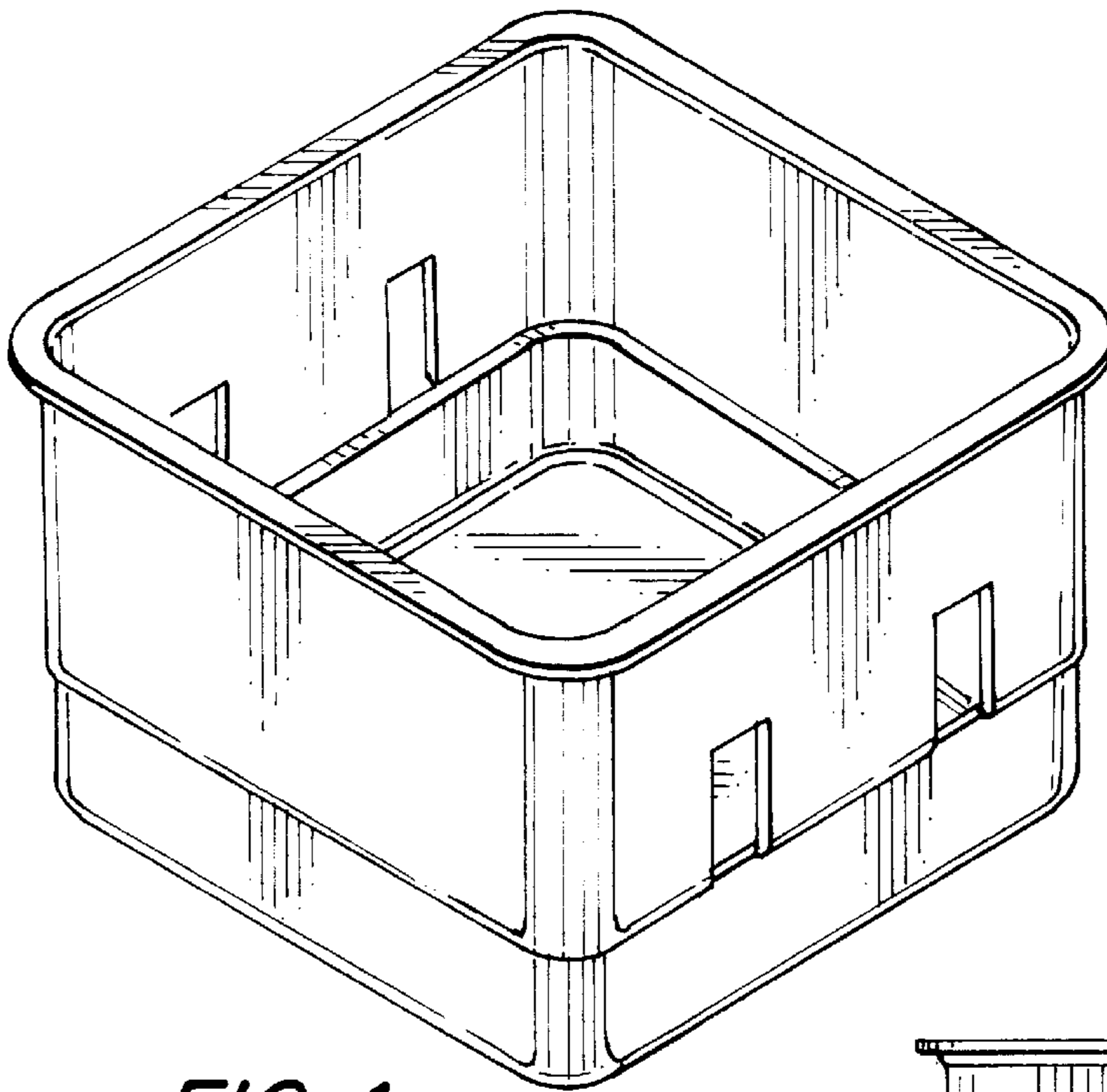


FIG. 1

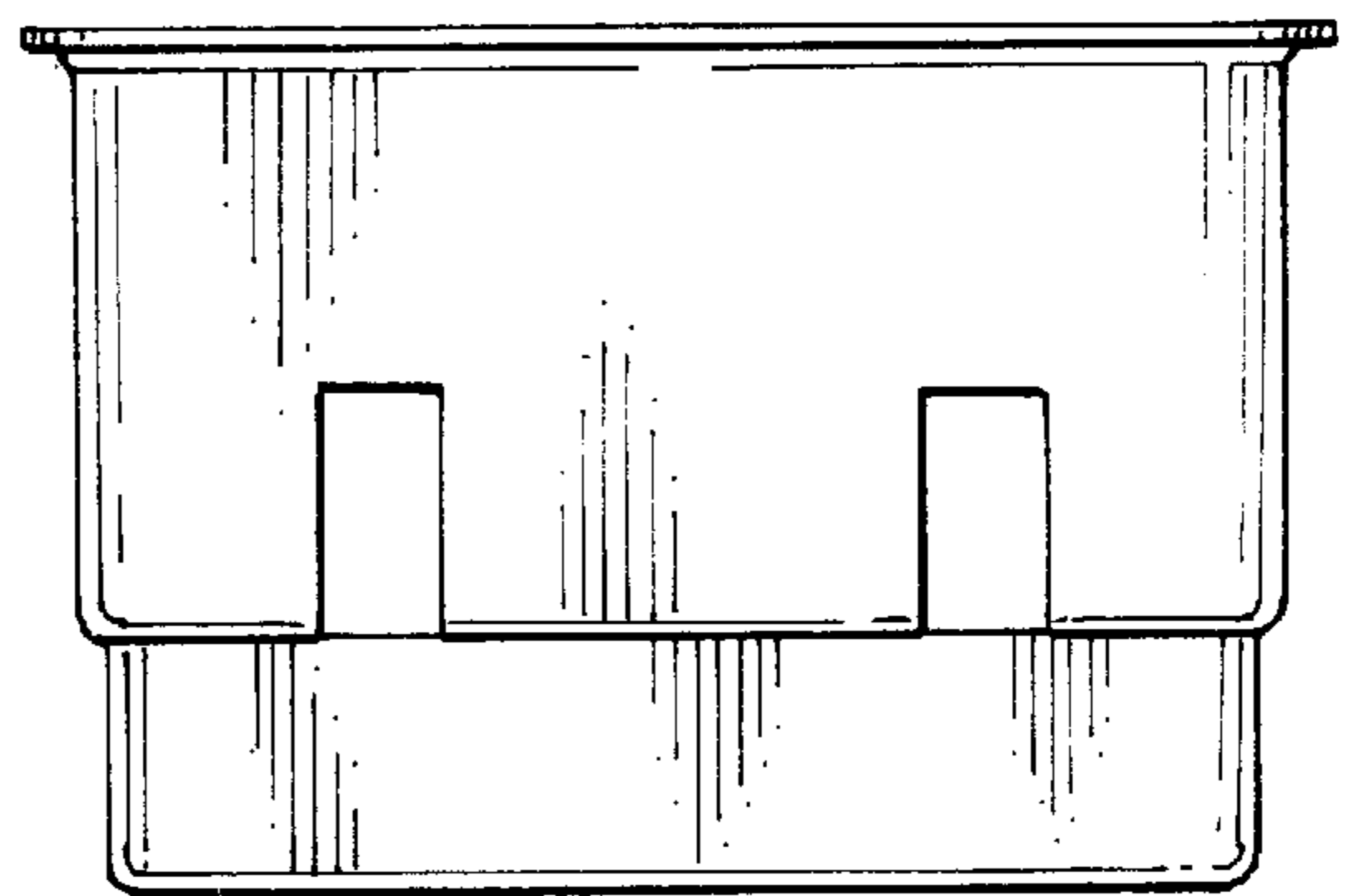


FIG. 2

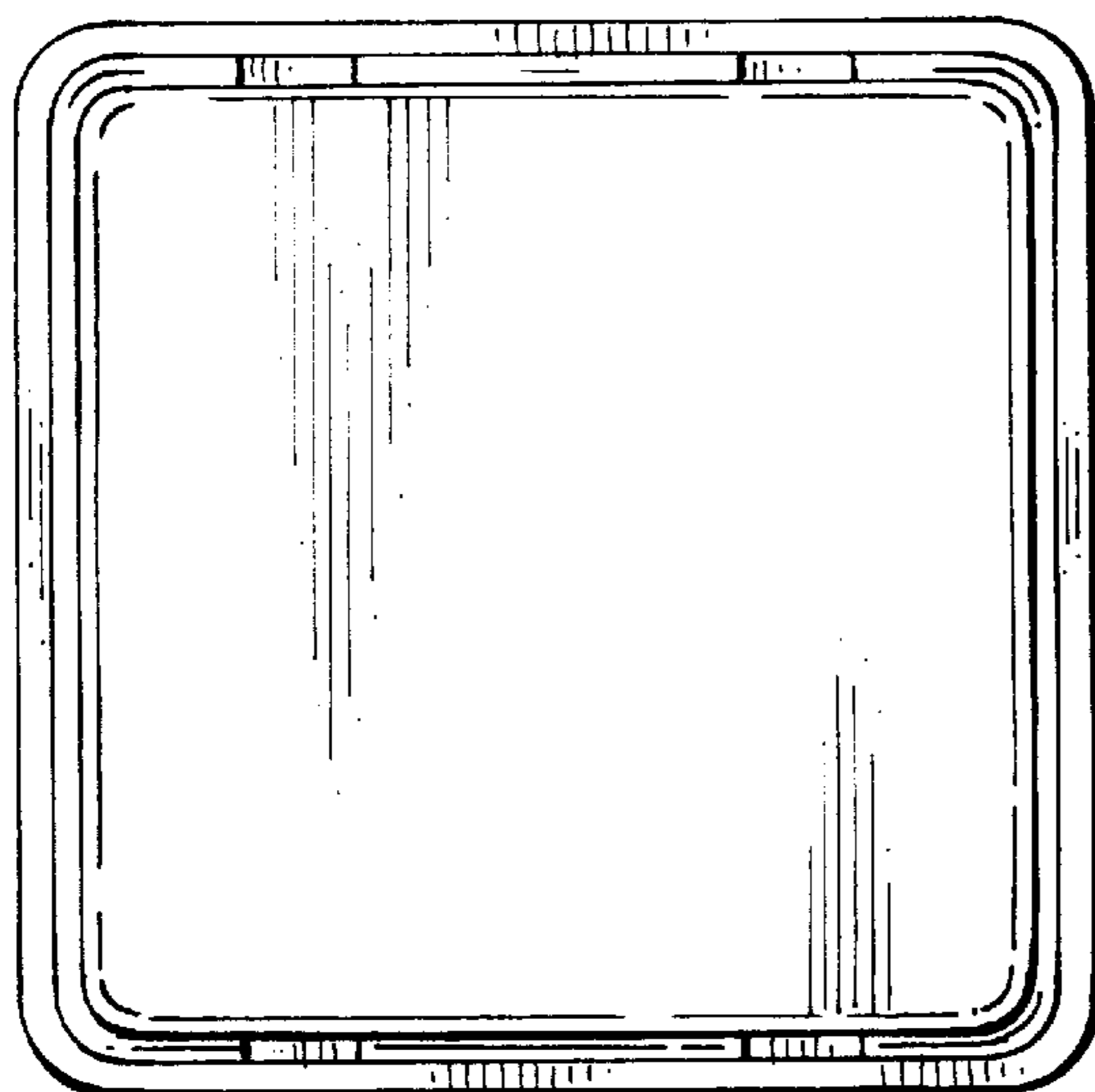


FIG. 3

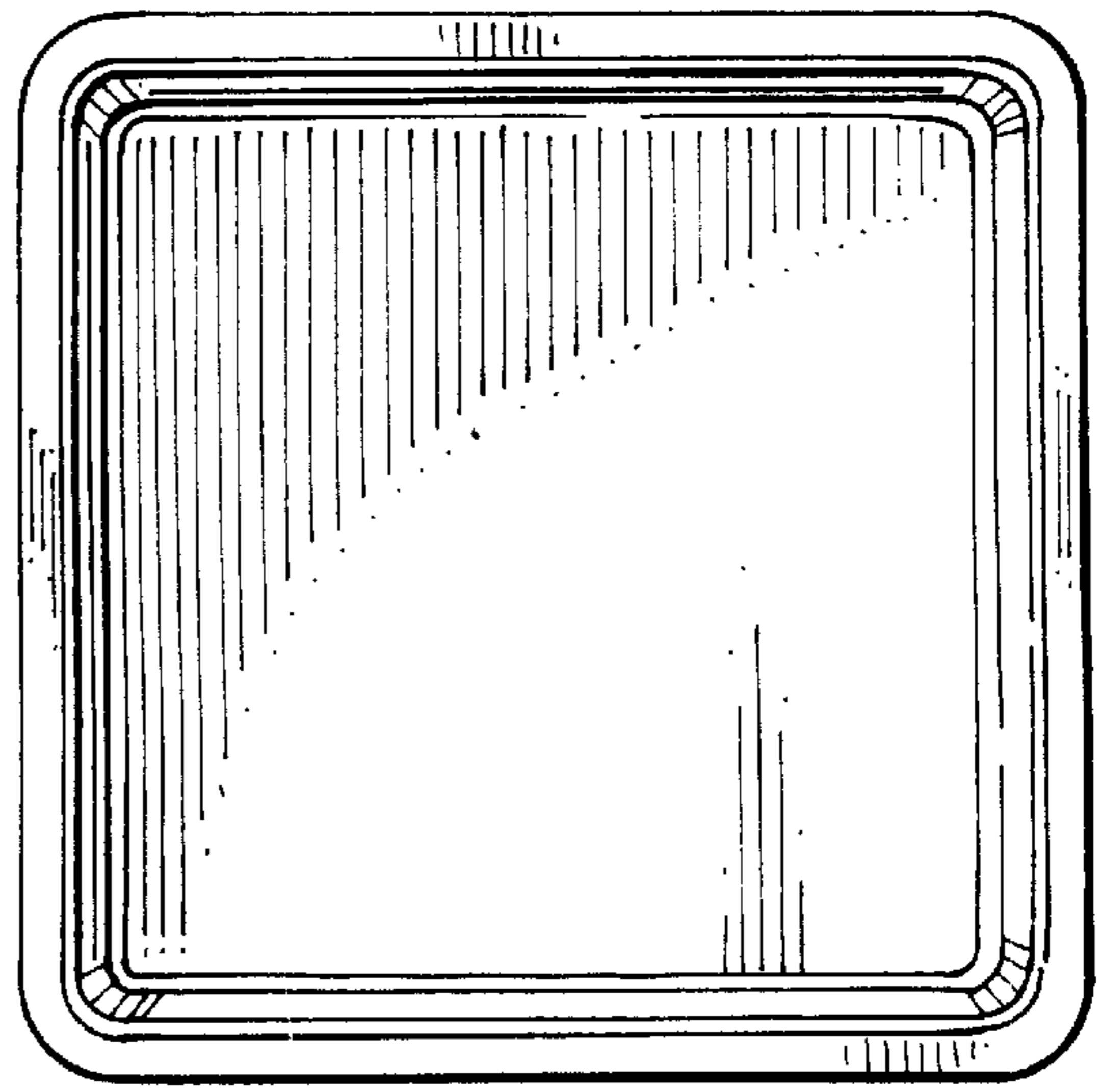


FIG. 4

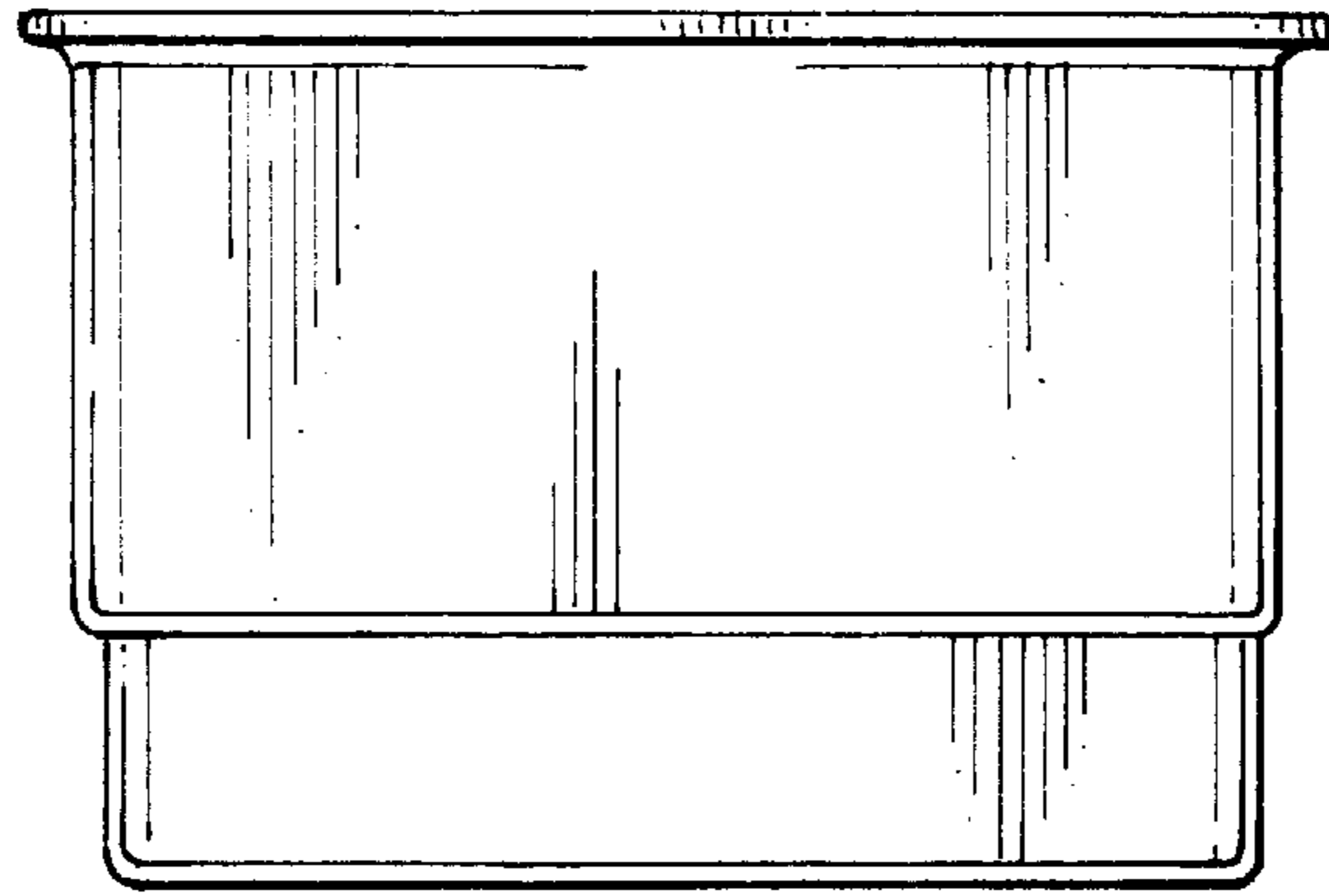


FIG. 5

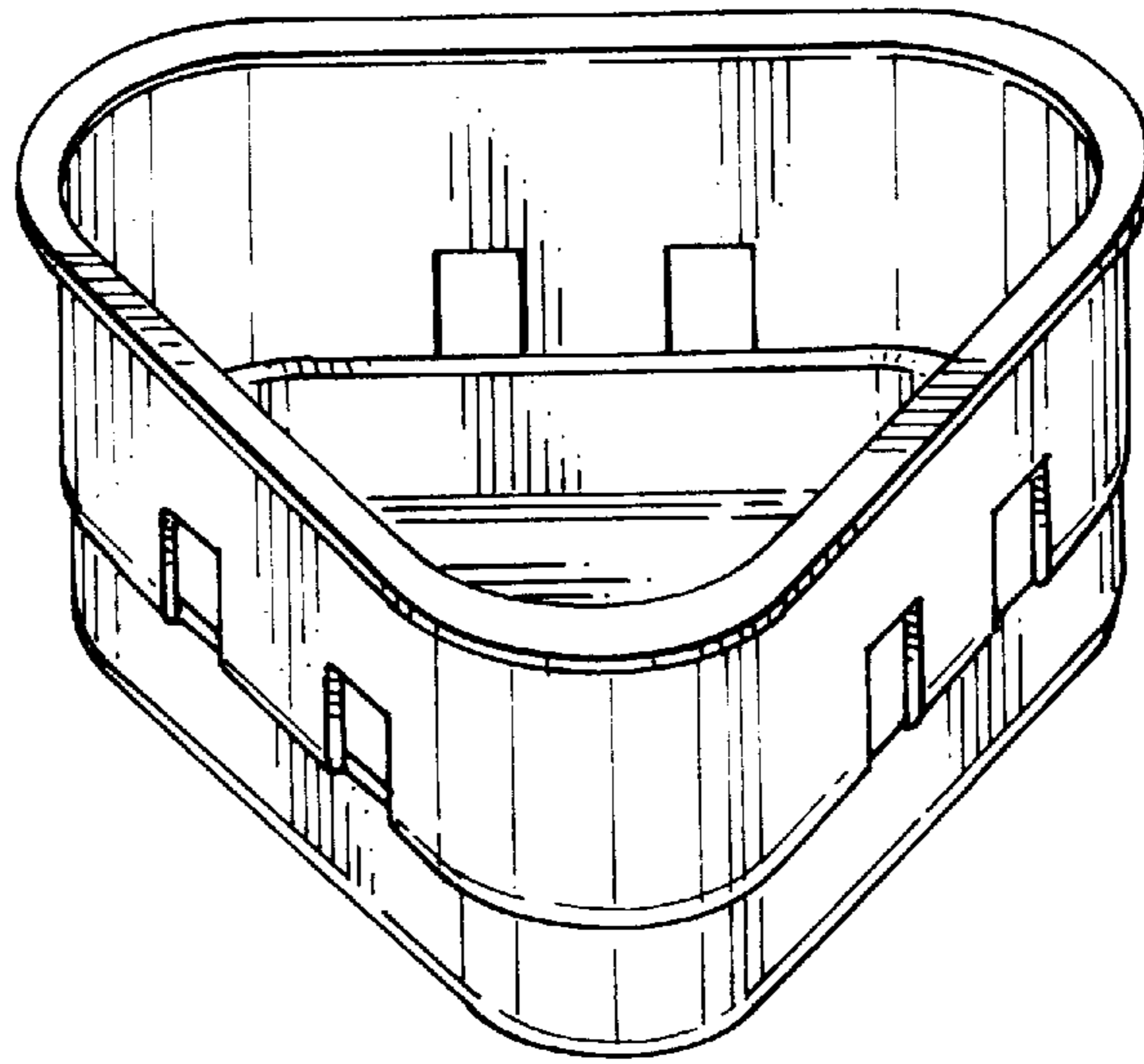


FIG. 6