



US00D402462S

# United States Patent [19] Sanderson

[11] Patent Number: **Des. 402,462**

[45] Date of Patent: **\*\*Dec. 15, 1998**

[54] **MUSICAL SOUND EQUIPMENT CASE**

[75] Inventor: **David B. Sanderson**, Villa Park, Calif.

[73] Assignee: **SKB Corporation**, Orange, Calif.

[\*\*] Term: **14 Years**

[21] Appl. No.: **70,220**

[22] Filed: **May 2, 1997**

[51] **LOC (6) Cl.** ..... **03-01**

[52] **U.S. Cl.** ..... **D3/276**

[58] **Field of Search** ..... D3/269, 273, 274,  
D3/276, 279, 281, 282, 291, 292, 294,  
295; 206/314; 220/669, 670, 675, 4.24;  
190/109, 115, 110, 111

[56] **References Cited**

**U.S. PATENT DOCUMENTS**

D. 213,175	1/1969	Bath	.....	D3/281
D. 219,085	10/1970	Moore	.....	D3/281
D. 220,292	3/1971	Sottsass, Jr.	.....	D3/276
D. 225,383	12/1972	Eisele	.....	D3/905
D. 286,466	11/1986	King et al.	.....	D3/281
D. 299,586	1/1989	Lanius	.....	D3/281
D. 306,096	2/1990	Dickinson et al.	.....	D3/905
D. 328,188	7/1992	Jacobsen et al.	.....	D3/270
D. 353,048	12/1994	VanSkiver et al.	.....	D3/276
D. 378,164	2/1997	Lee	.....	D3/294

782,047	2/1905	Pearson	.....	190/112
2,604,961	7/1952	Koch	.....	190/28
2,717,093	9/1955	Mautner	.....	190/28
2,741,349	4/1956	Peters	.....	190/28
2,758,682	8/1956	Shwayder	.....	190/28
2,782,889	2/1957	Eber	.....	190/28
3,335,827	8/1967	Hofferbert	.....	190/127
5,513,066	4/1996	Berman	.....	361/625
5,528,453	6/1996	Berman et al.	.....	361/625

**FOREIGN PATENT DOCUMENTS**

1147916	4/1969	United Kingdom	.....	190/28
---------	--------	----------------	-------	--------

*Primary Examiner*—Philip S. Hyder  
*Attorney, Agent, or Firm*—Lyon & Lyon LLP

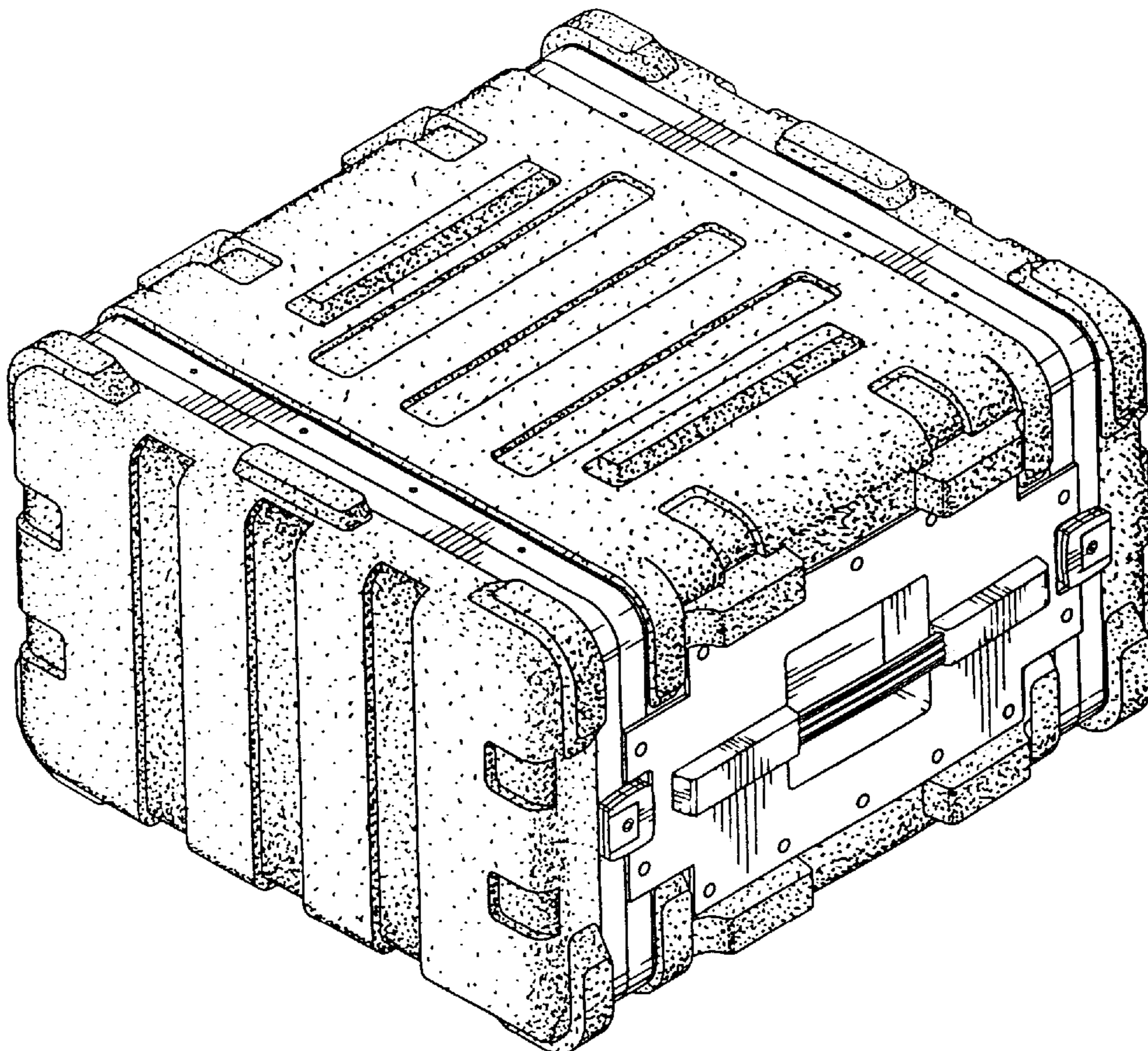
[57] **CLAIM**

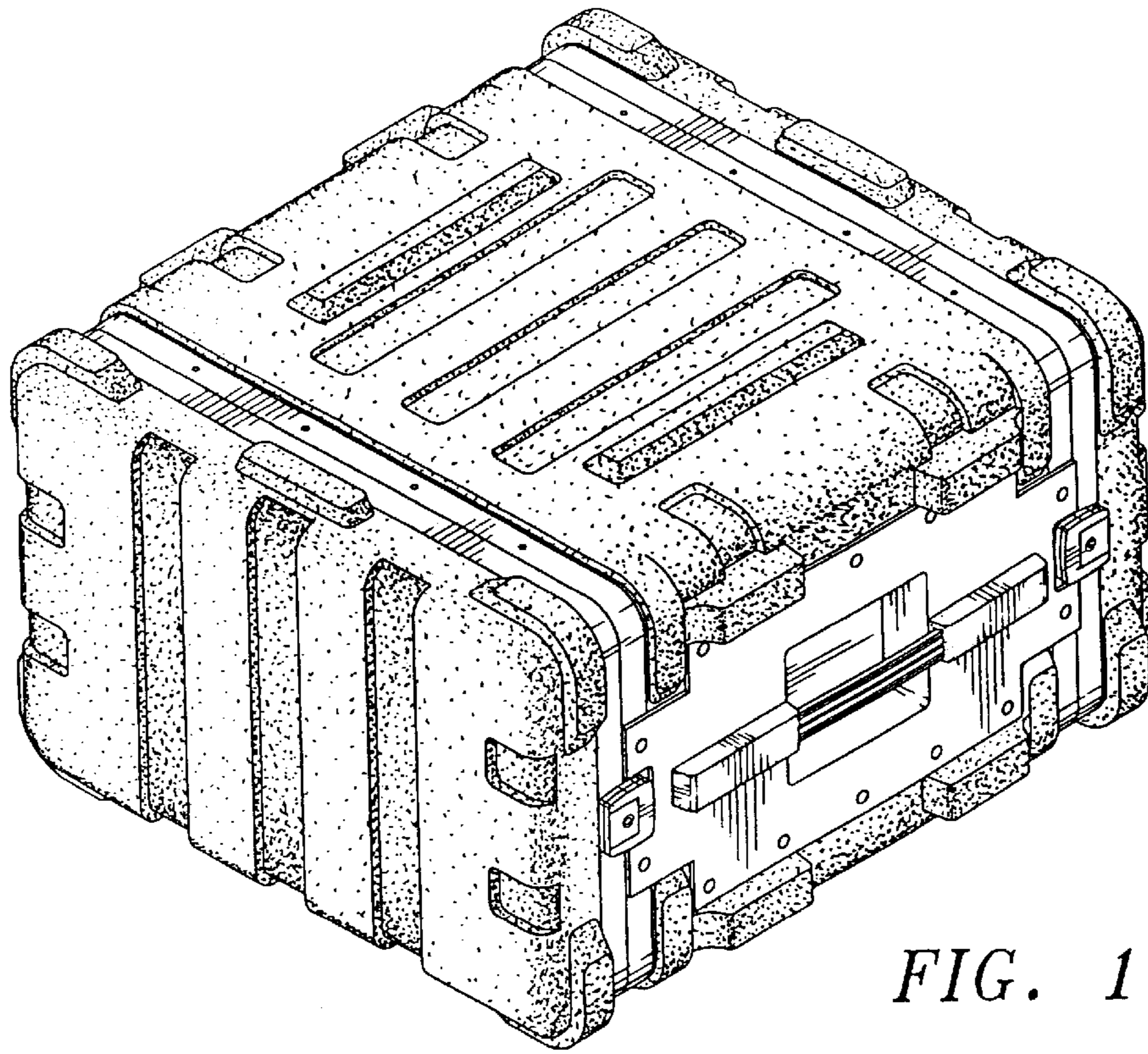
The ornamental design for a musical sound equipment case, as shown and described.

**DESCRIPTION**

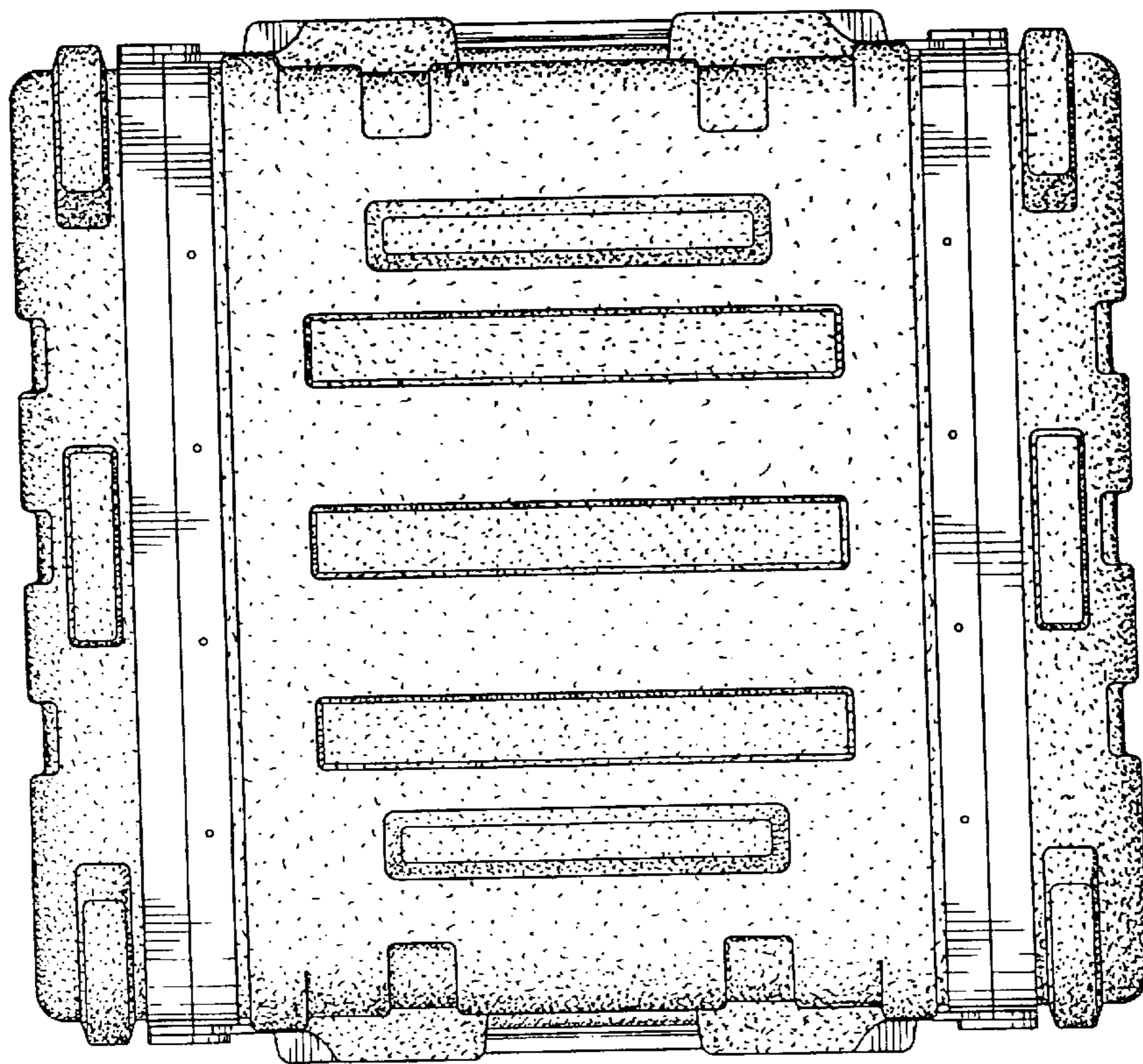
FIG. 1 is a perspective view showing the top, front, and right side of the musical sound equipment case; FIG. 2 is a plan view of the top of the case; FIG. 3 is plan view of the bottom of the case; FIG. 4 is an elevational view of the right side of the case, which is the same as the left side of the case; and, FIG. 5 is an elevational view of the front of the case, which is the same as the back of the case.

**1 Claim, 3 Drawing Sheets**





*FIG. 1*



*FIG. 2*

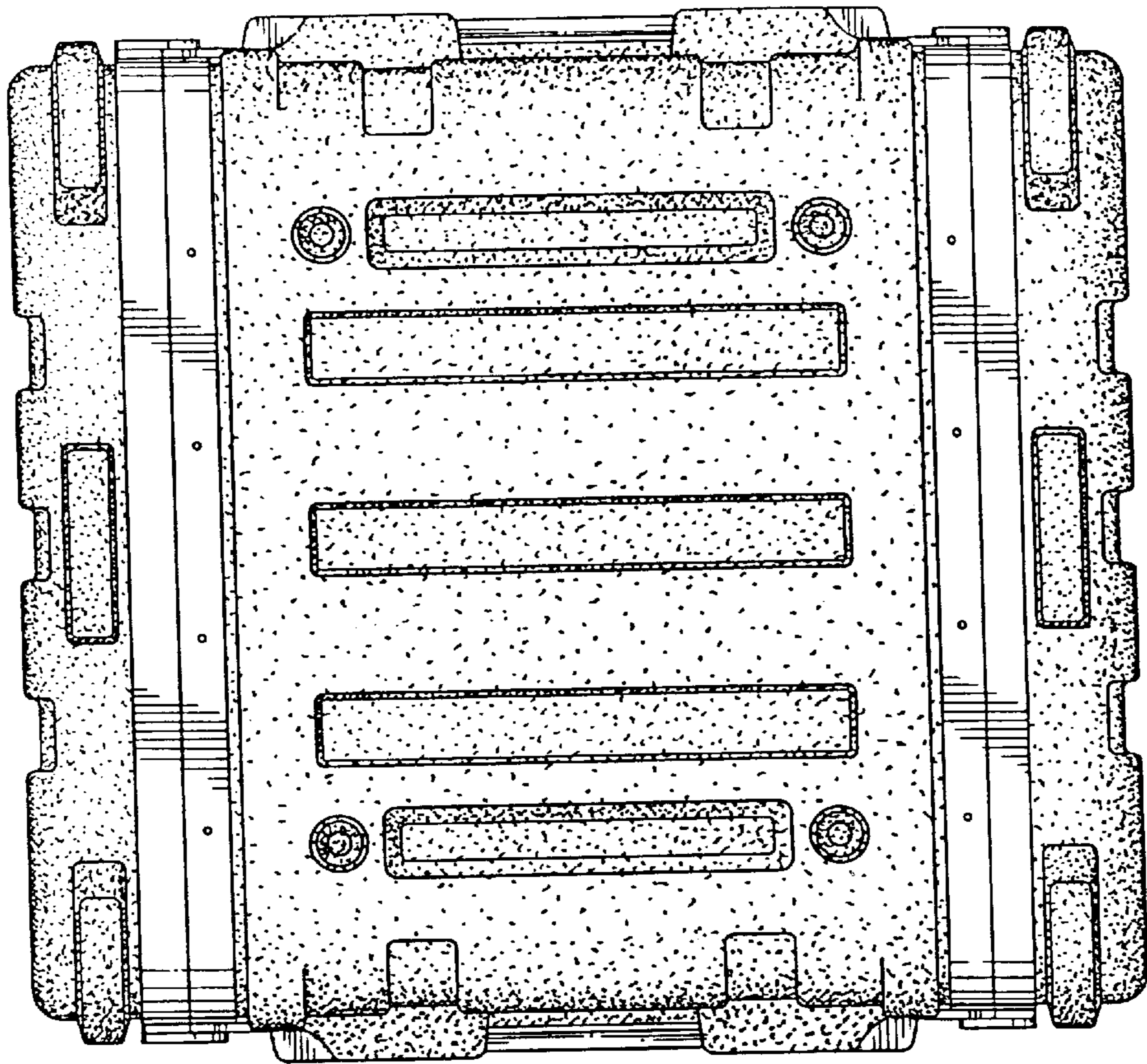


FIG. 3

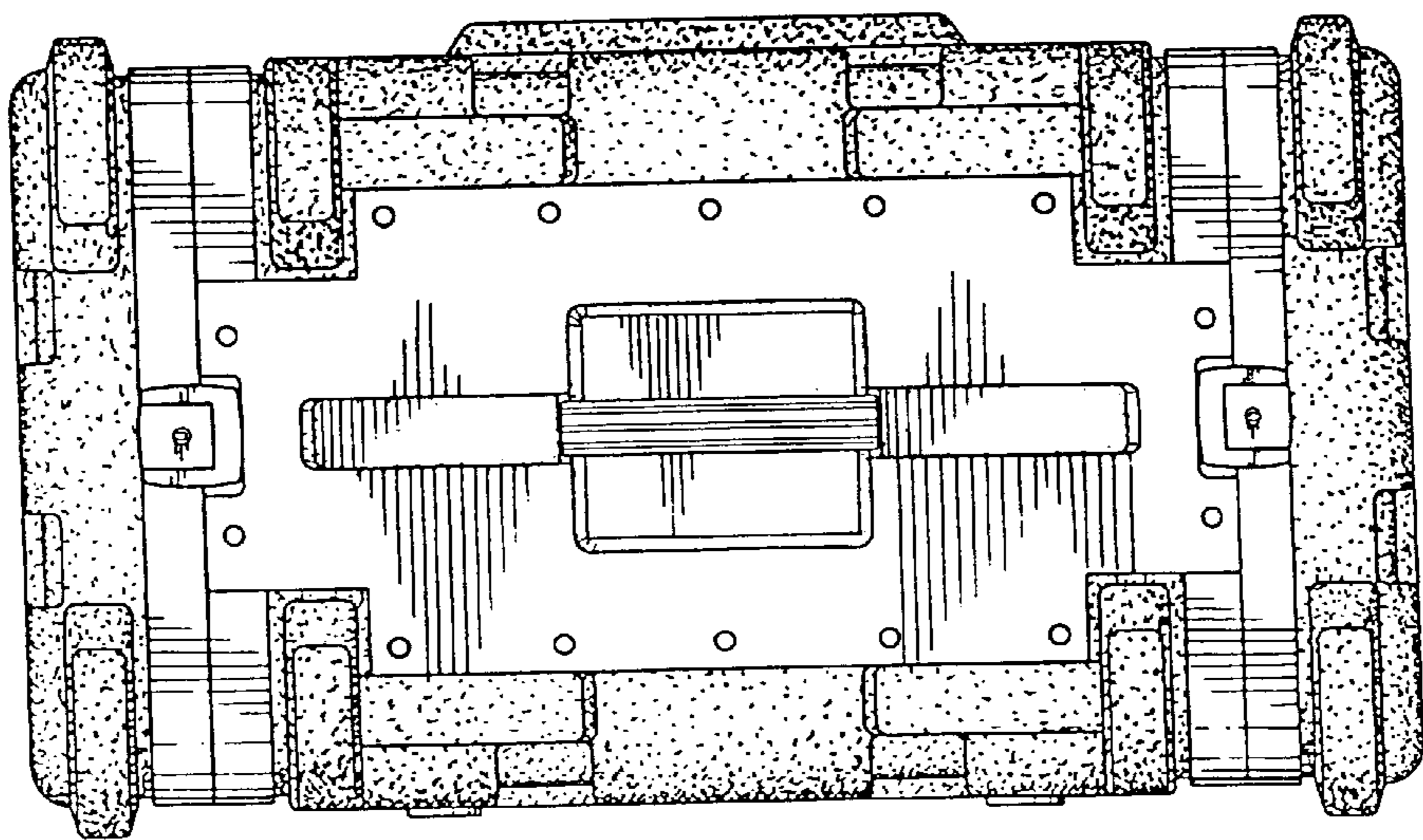
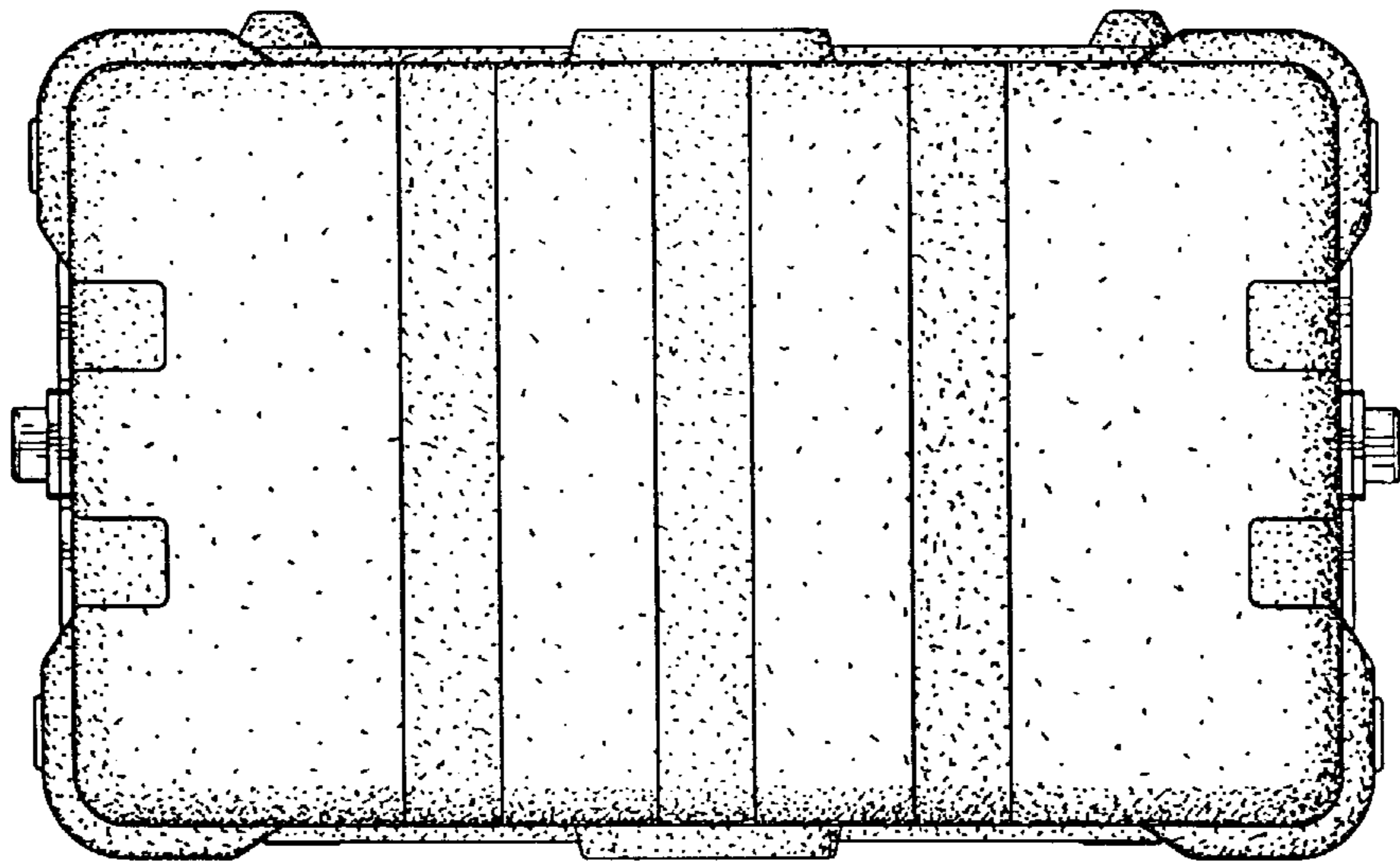


FIG. 4



*FIG. 5*