



US00D402461S

# United States Patent [19]

Au

[11] **Patent Number: Des. 402,461**

[45] **Date of Patent: \*\*Dec. 15, 1998**

[54] **DISPLAYABLE WATCH CONTAINER**

[76] Inventor: **Ho Ching Au**, Block A, 9/F, Goodview Inc. Building, 11 Kin Fat Street, N.T. Hong Kong, Hong Kong

[\*\*] Term: **14 Years**

[21] Appl. No.: **80,564**

[22] Filed: **Dec. 5, 1997**

[51] **LOC (6) Cl.** ..... **03-01**

[52] **U.S. Cl.** ..... **D3/273; D9/420; D6/466; D3/903**

[58] **Field of Search** ..... **D3/273, 272, 302, D3/903; D9/420; D6/466, 467; 206/6.1, 566, 301**

[56] **References Cited**

**U.S. PATENT DOCUMENTS**

D. 211,007	5/1968	Braun	.....	D9/420
D. 211,713	7/1968	Braun	.....	D9/420
D. 214,160	5/1969	Beck	.....	D9/420
D. 322,189	12/1991	Schechter	.....	D6/466
D. 343,745	2/1994	Wenger	.....	D9/420
3,809,216	5/1974	Ferguson	.....	206/6.1

4,005,775	2/1977	Crosslen	.....	206/6.1
4,011,942	3/1977	Crosslen	.....	206/6.1
5,383,552	1/1995	Dikowitz	.....	206/6.1

*Primary Examiner*—Philip S. Hyder  
*Attorney, Agent, or Firm*—David & Raymond; Raymond Y. Chan

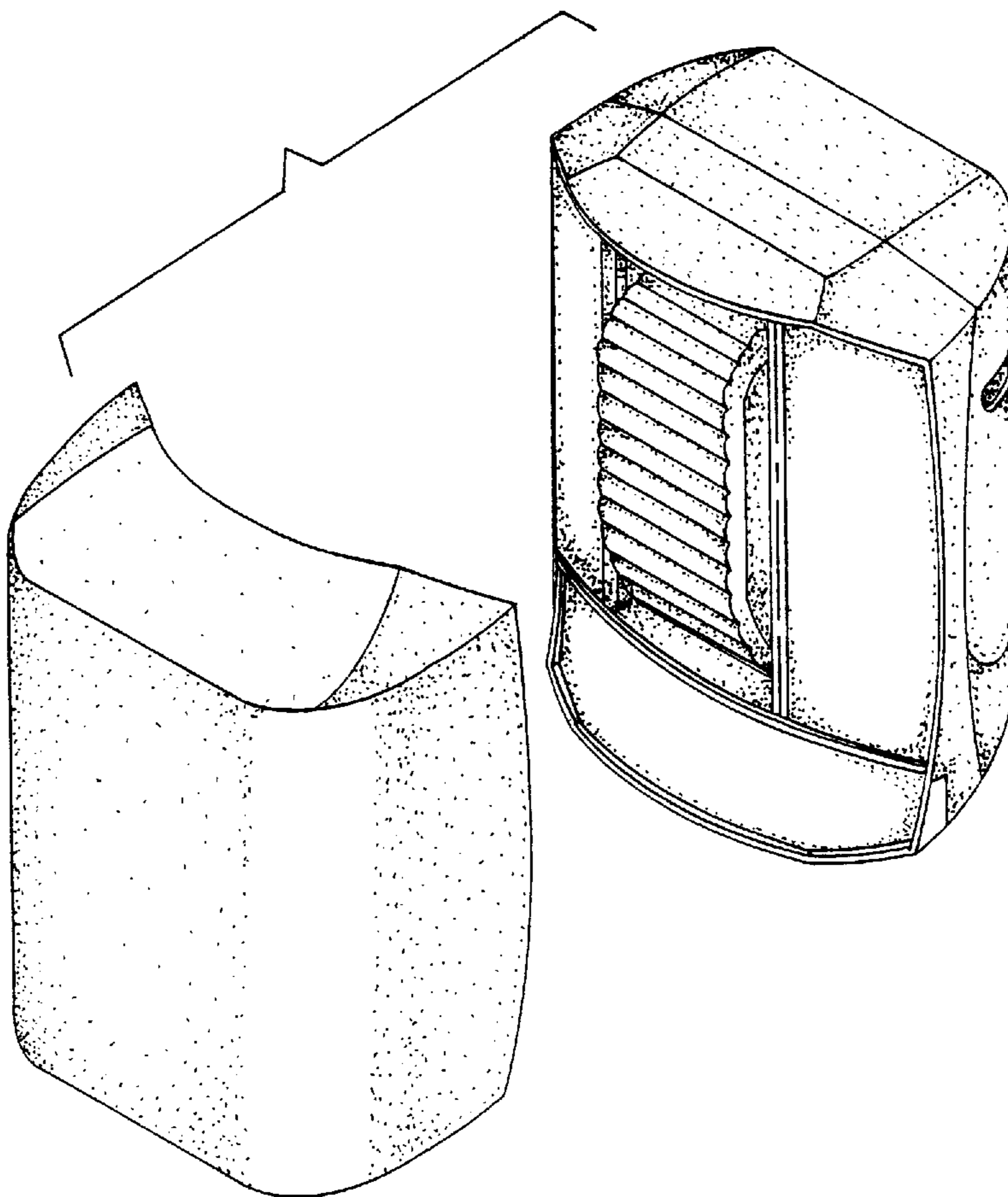
[57] **CLAIM**

The ornamental design for a displayable watch container, as shown.

**DESCRIPTION**

FIG. 1 is a perspective view showing my new design; FIG. 2 is a front view thereof; FIG. 3 is a left end view thereof; FIG. 4 is a right end view thereof; FIG. 5 is a top view thereof; FIG. 6 is a bottom view thereof; FIG. 7 is a rear views thereof; FIG. 8 is a perspective view thereof, illustrating the container of my design with the front cover open; and, FIG. 9 is a perspective view thereof, illustrating the container of my design with the rear cover open.

**1 Claim, 9 Drawing Sheets**



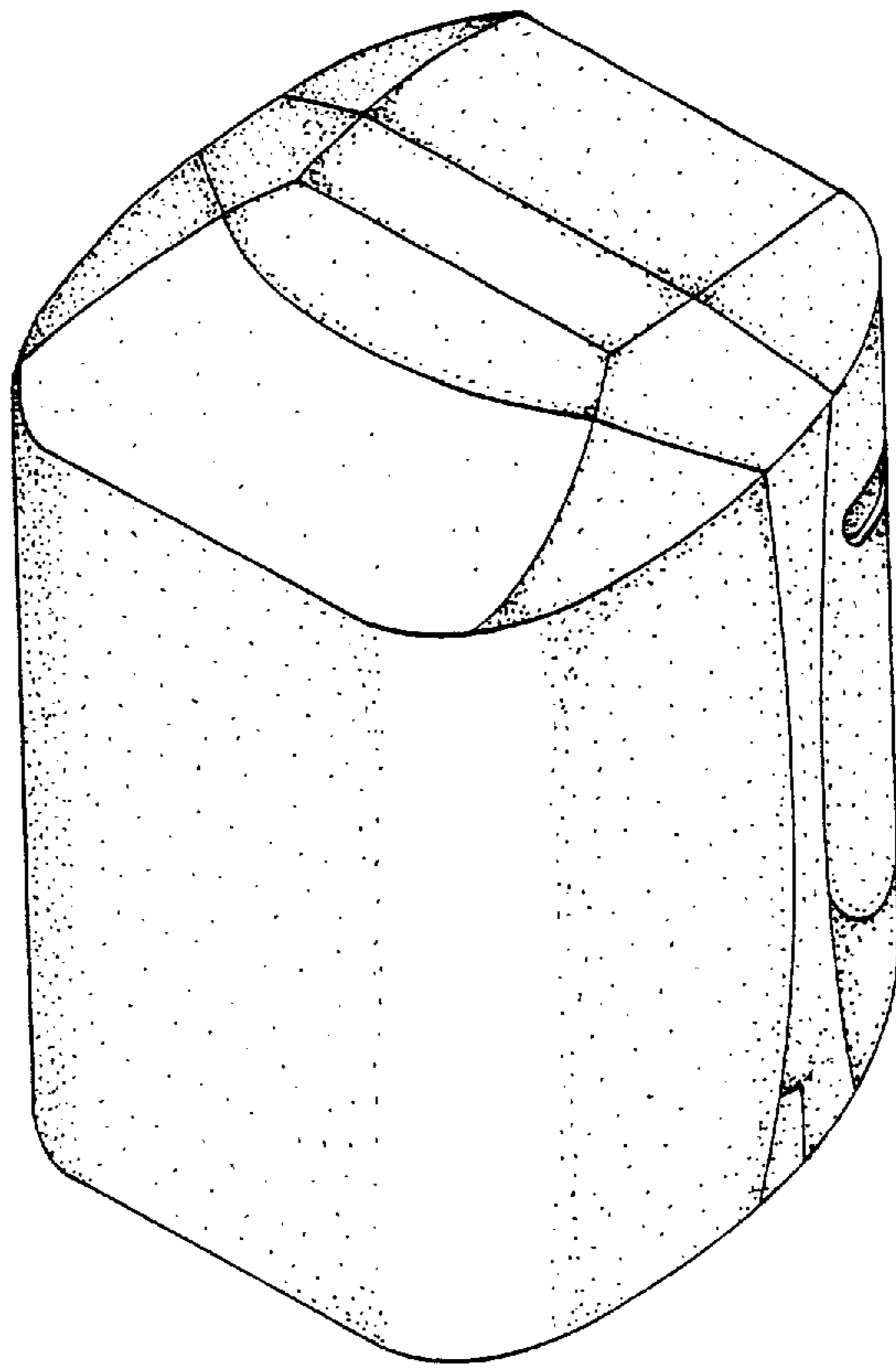


FIG. 1

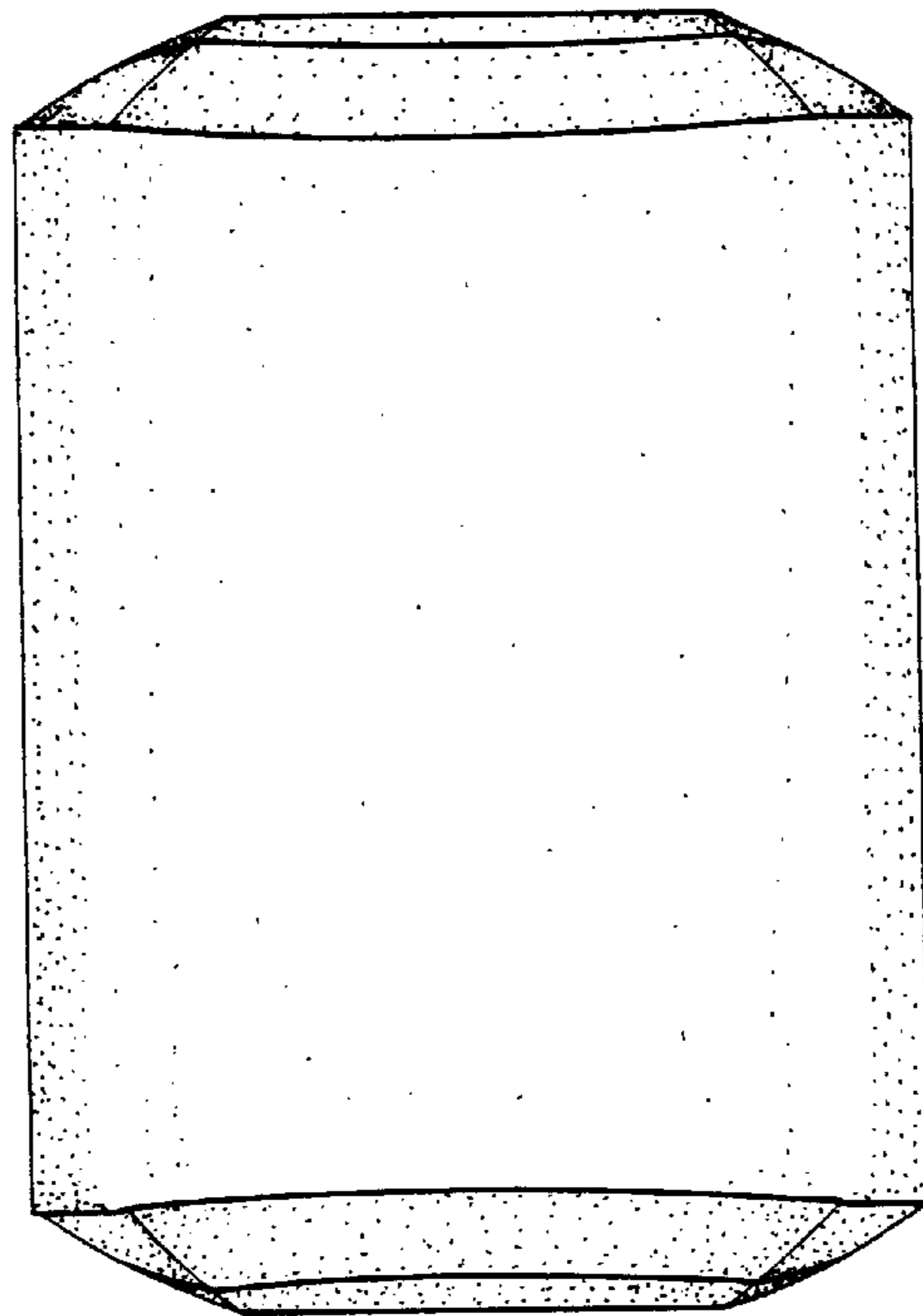


FIG. 2

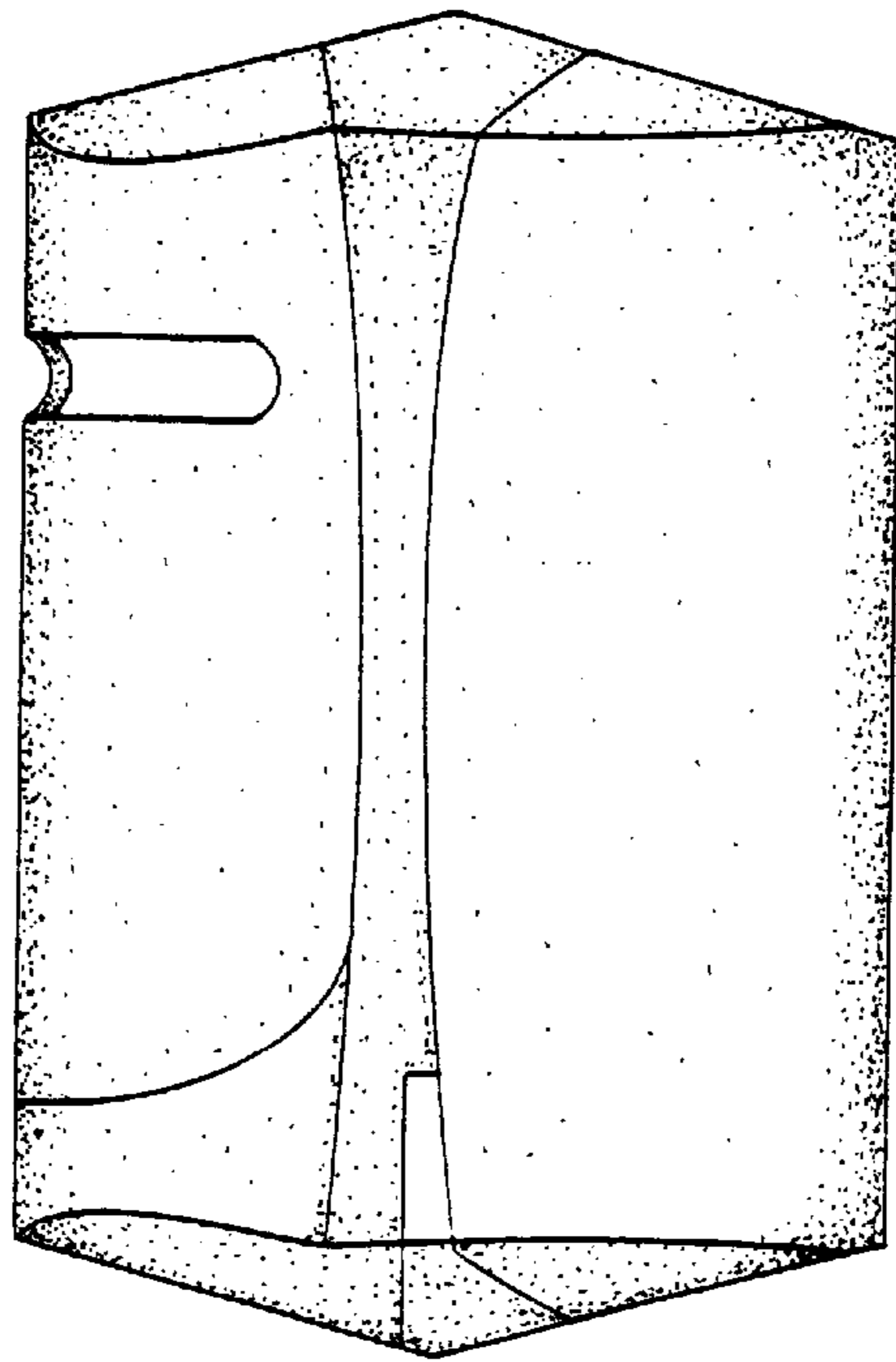


FIG. 3

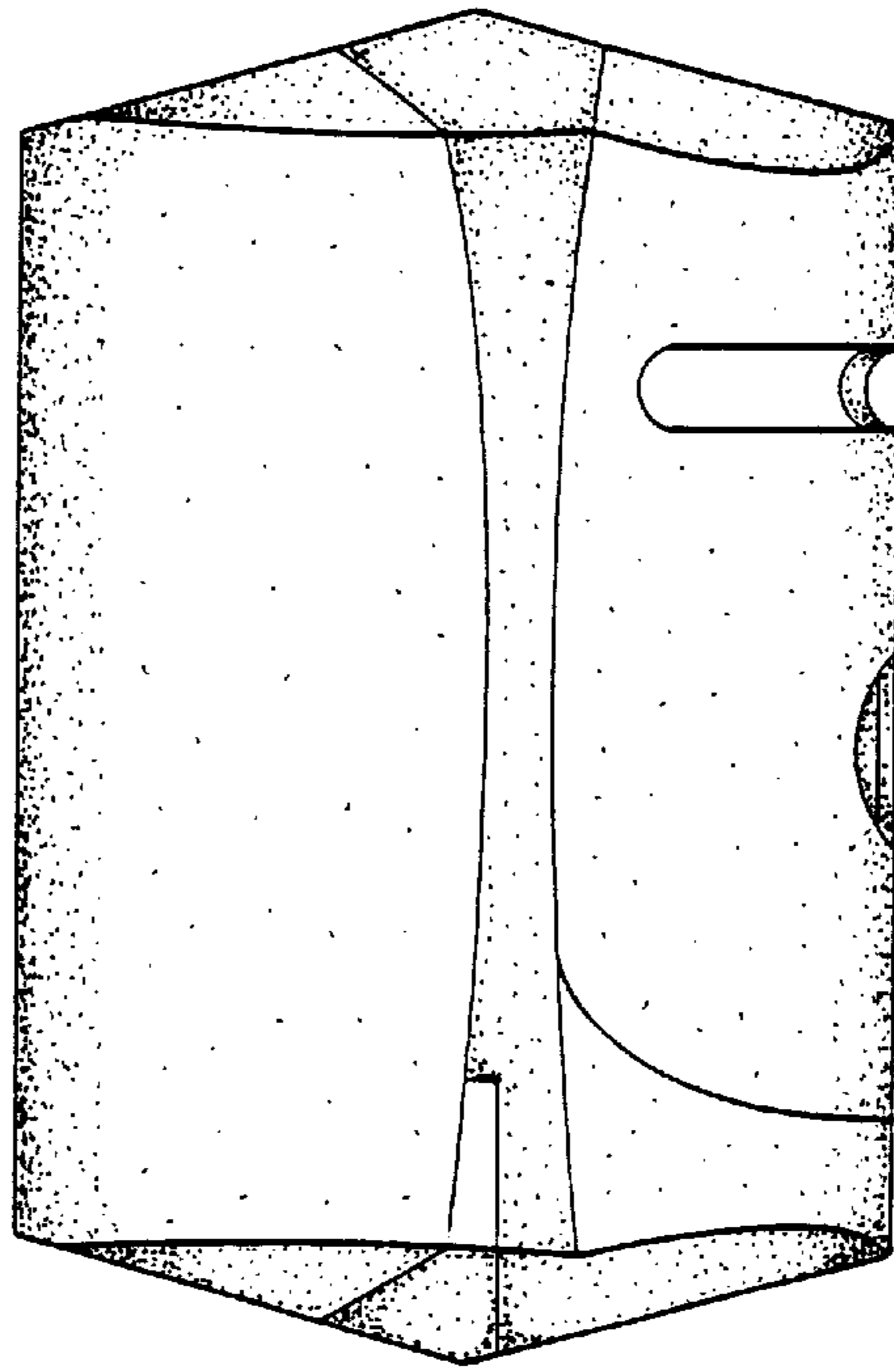


FIG. 4

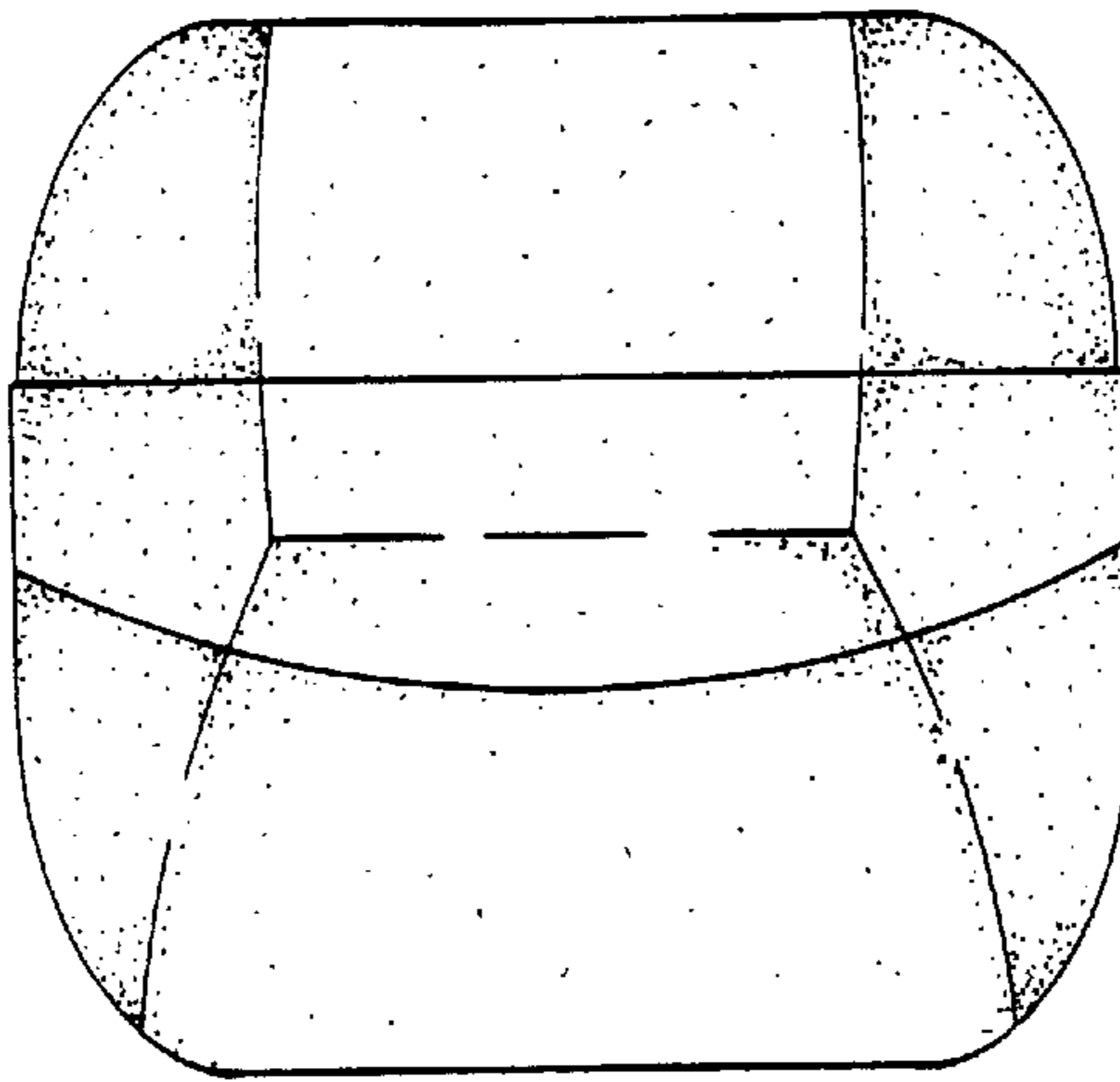


FIG. 5

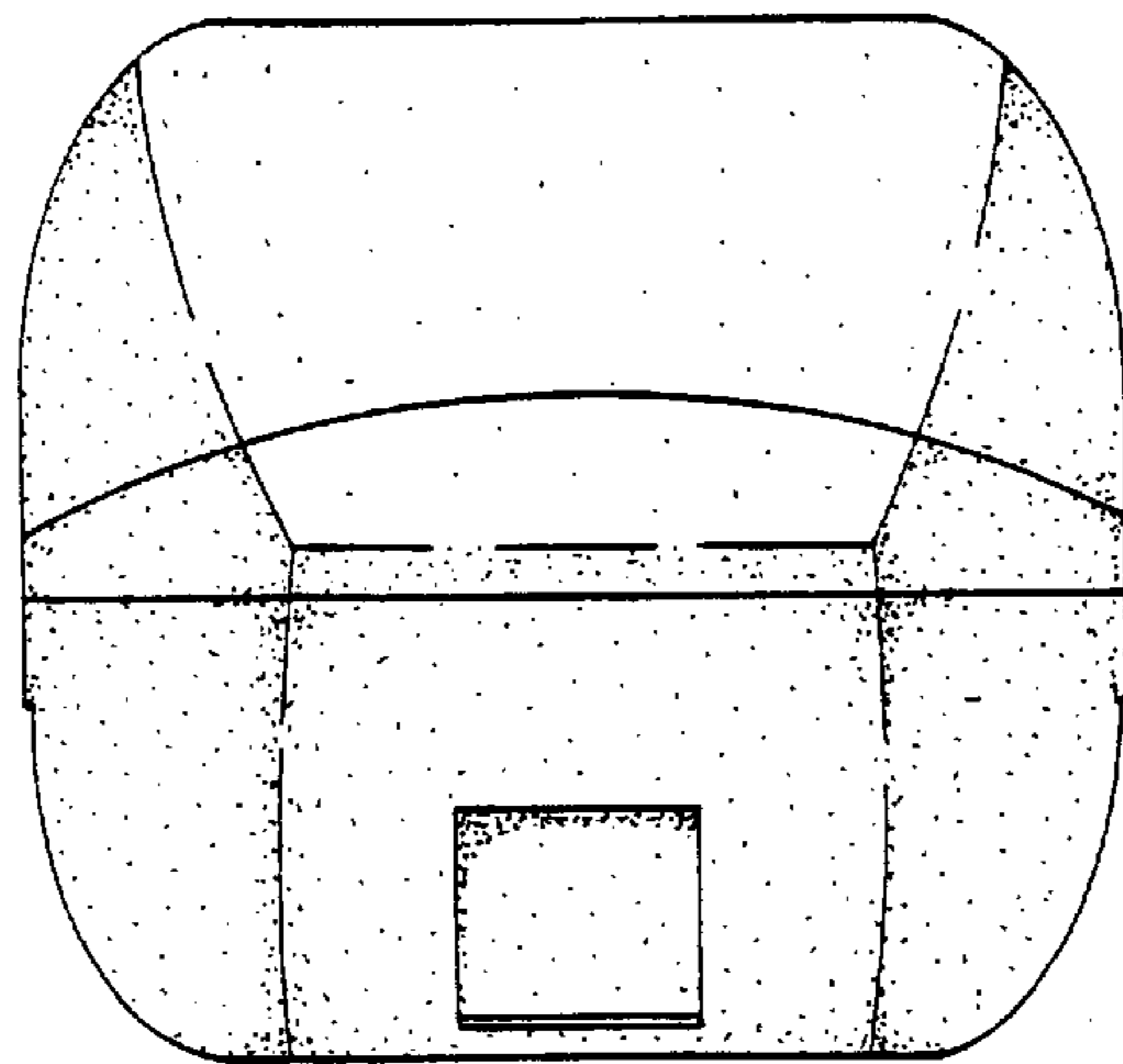


FIG. 6

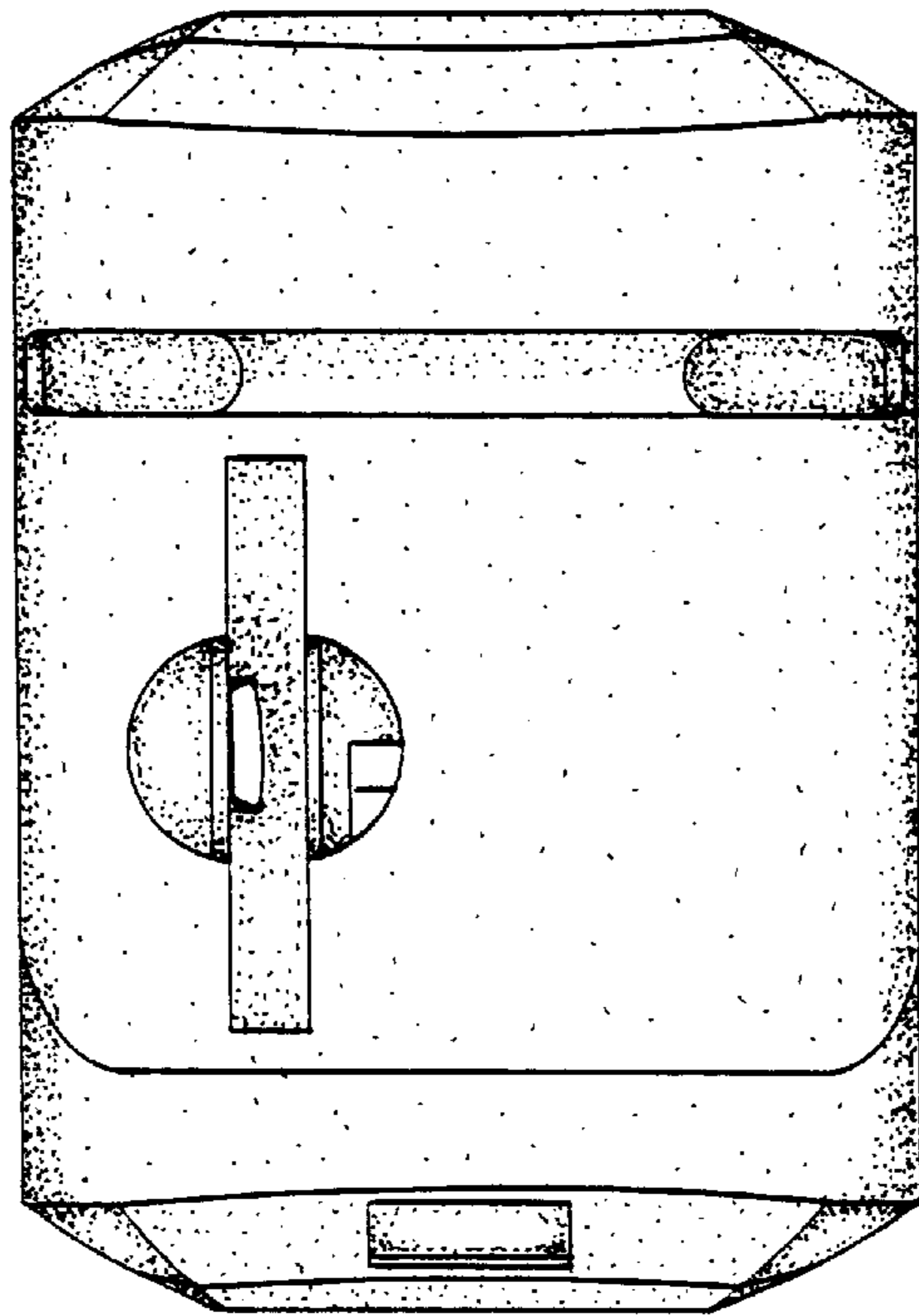


FIG. 7



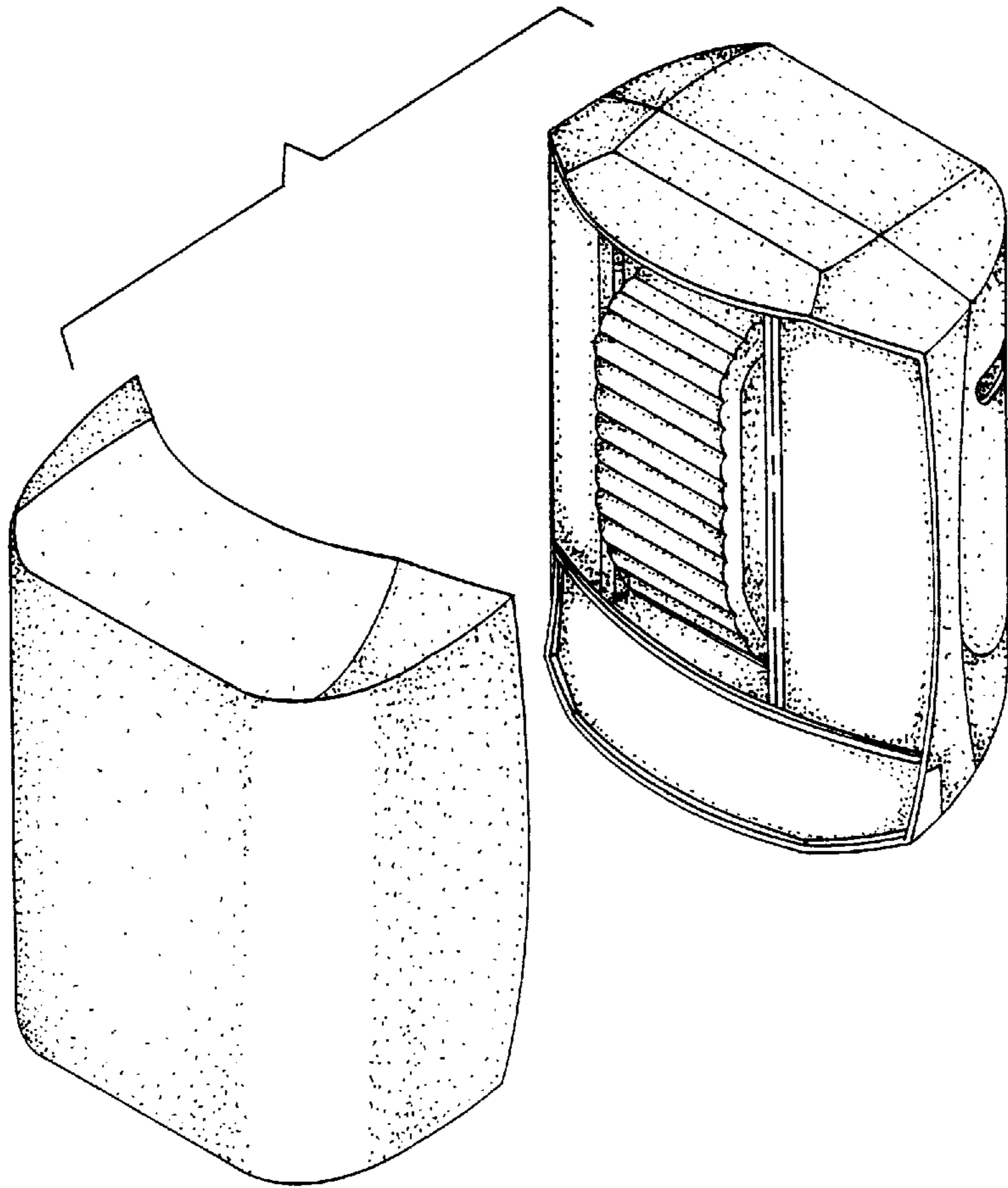


FIG. 8

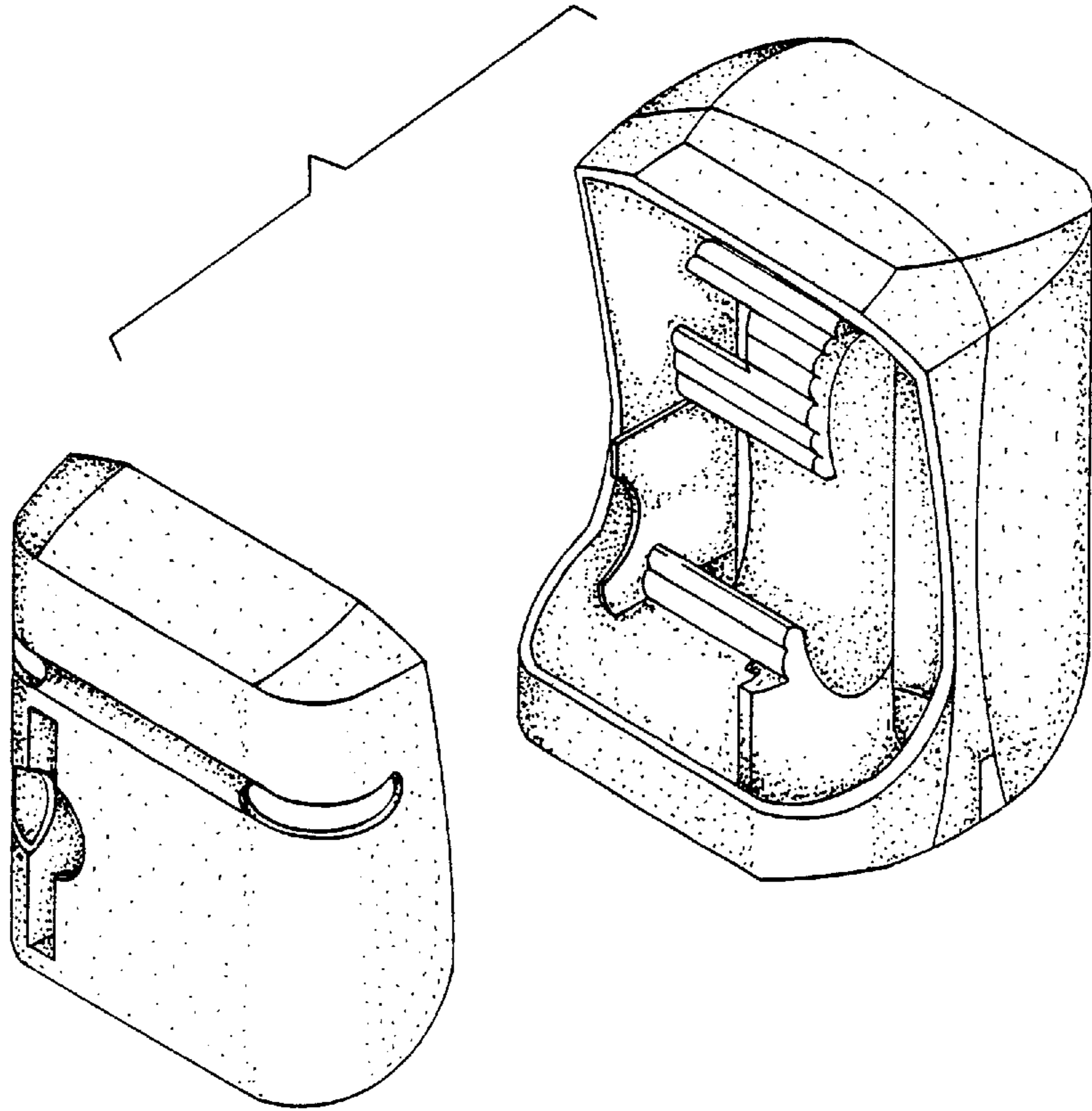


FIG. 9