



US00D402435S

United States Patent [19]
Correll

[11] **Patent Number: Des. 402,435**

[45] **Date of Patent: **Dec. 15, 1998**

[54] **EDIBLE PRODUCT**

D. 357,540 4/1995 Abrams D1/128 X

[76] Inventor: **John D. Correll**, 8459 Holly Dr.,
Canton, Mich. 48187

Primary Examiner—Pamela Burgess

[**] Term: **14 Years**

[57] **CLAIM**

The ornamental design for an edible product, as shown and described.

[21] Appl. No.: **88,954**

[22] Filed: **Jun. 4, 1998**

DESCRIPTION

[51] **LOC (6) Cl.** **01-01**

[52] **U.S. Cl.** **D1/106; D1/199**

[58] **Field of Search** D1/106, 199, 127,
D1/128, 129; 426/104, 805; D24/102; D9/329,
432

FIG. 1 is a perspective view of an edible product showing my new design;

FIG. 2 is a top plan view of the edible product;

FIG. 3 is a bottom plan view of the edible product;

FIG. 4 is a front elevation view of the edible product;

FIG. 5 is a left side elevation view of the edible product;

FIG. 6 is a right side elevation view of the edible product;

and,

FIG. 7 is a rear elevation view of the edible product.

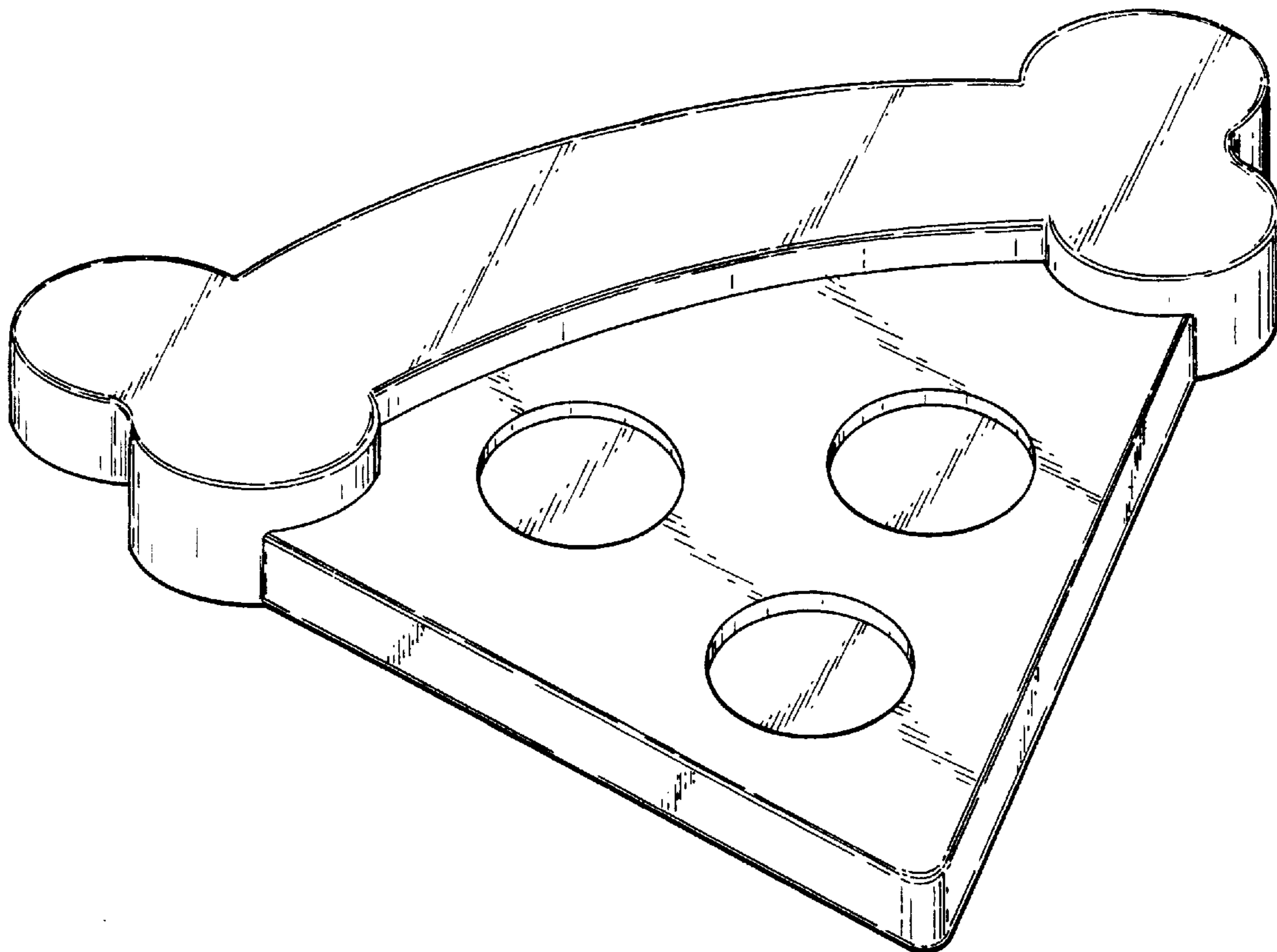
[56] **References Cited**

U.S. PATENT DOCUMENTS

D. 286,208 10/1986 Tovey D24/102

D. 323,236 1/1992 Copp D1/127

1 Claim, 2 Drawing Sheets



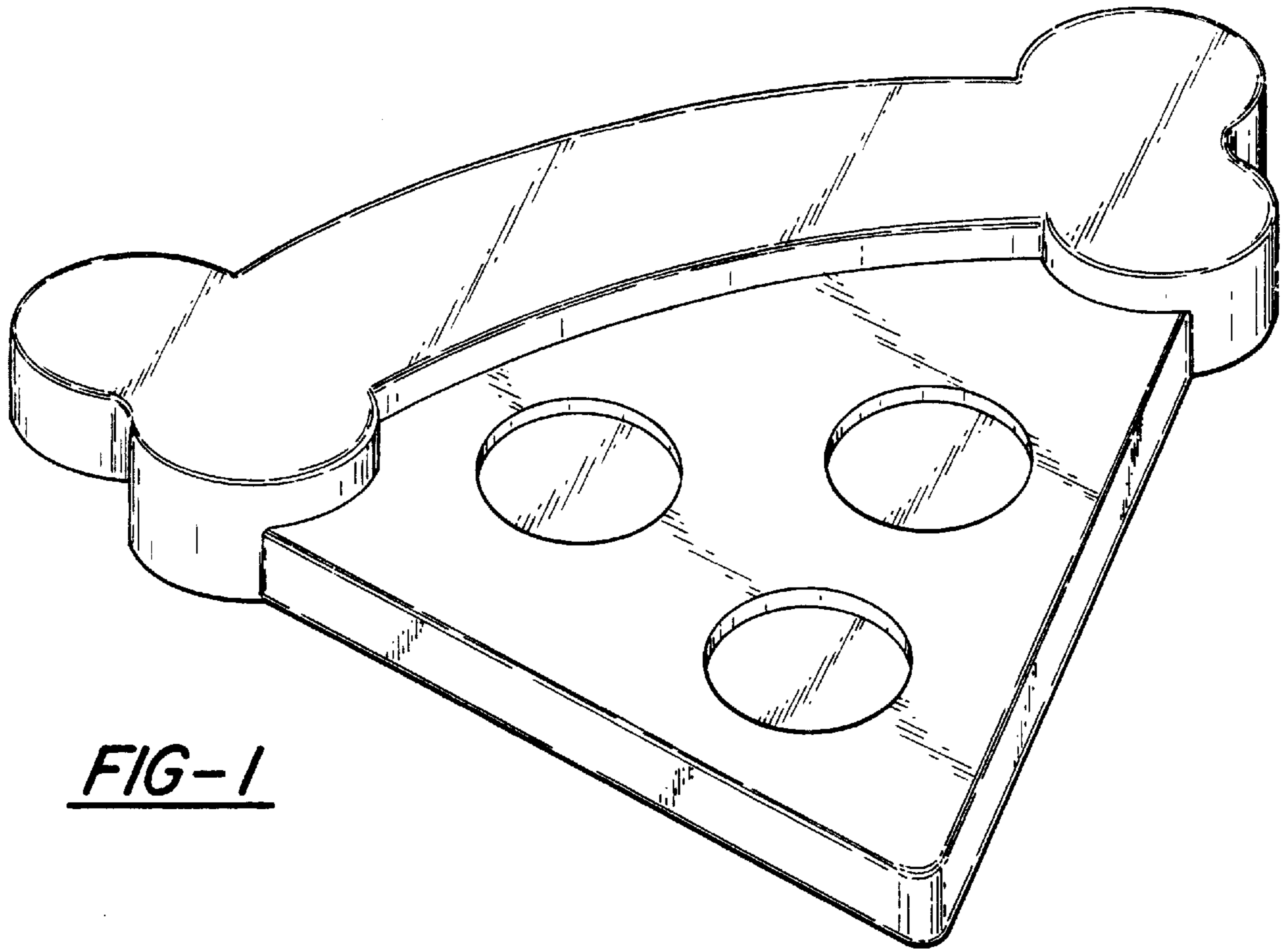


FIG-1

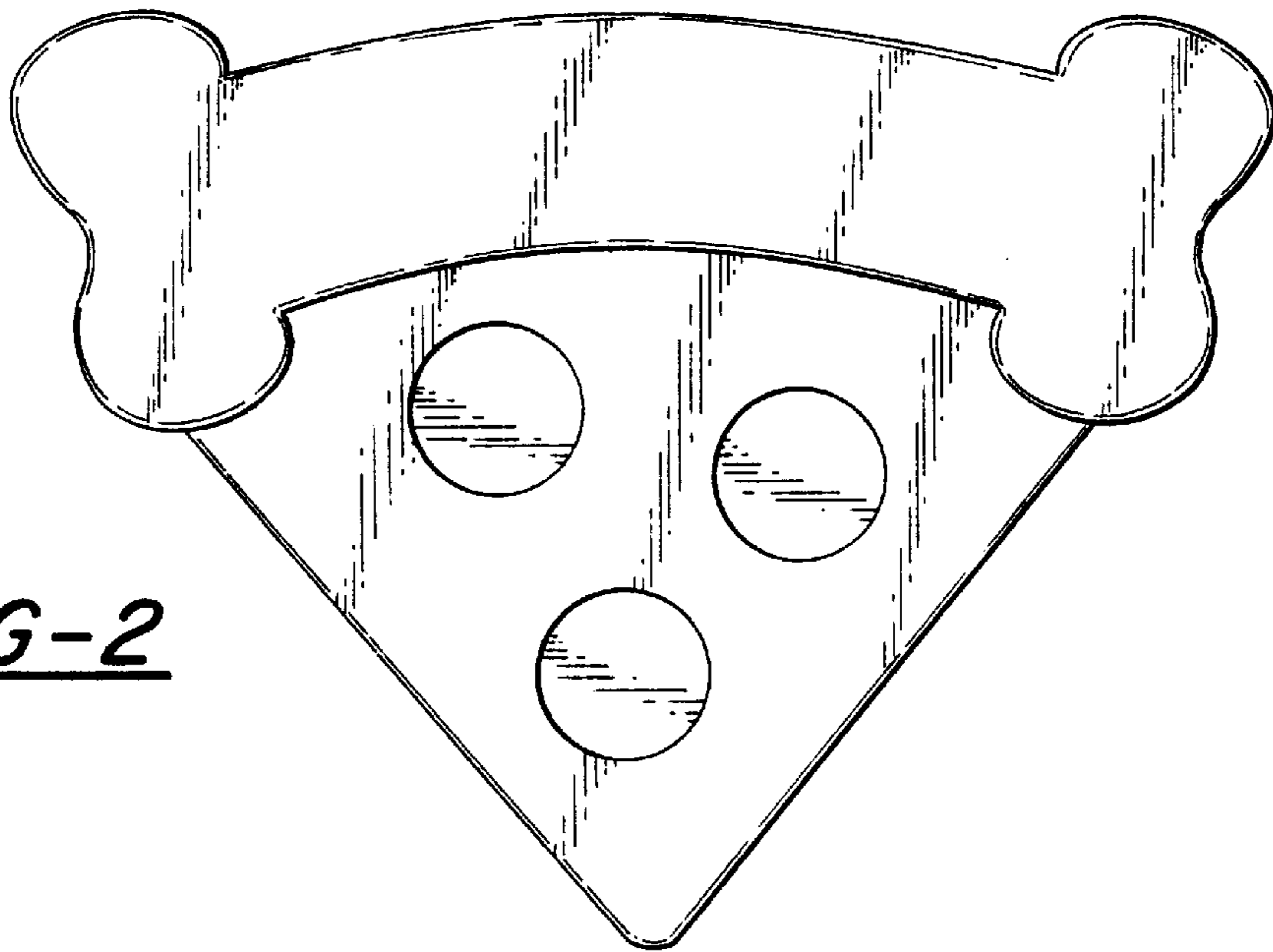


FIG-2

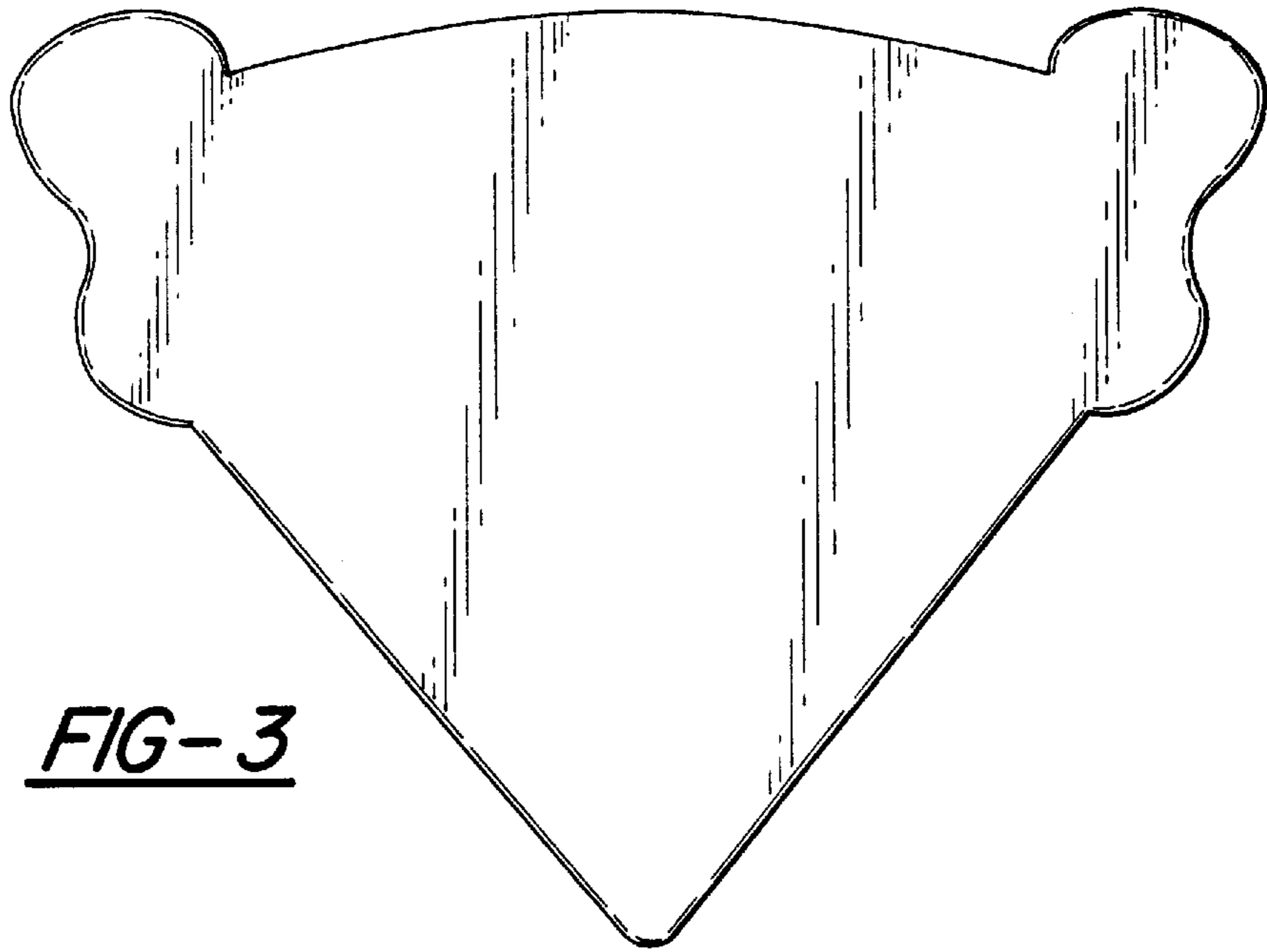


FIG-3

FIG-4



FIG-5

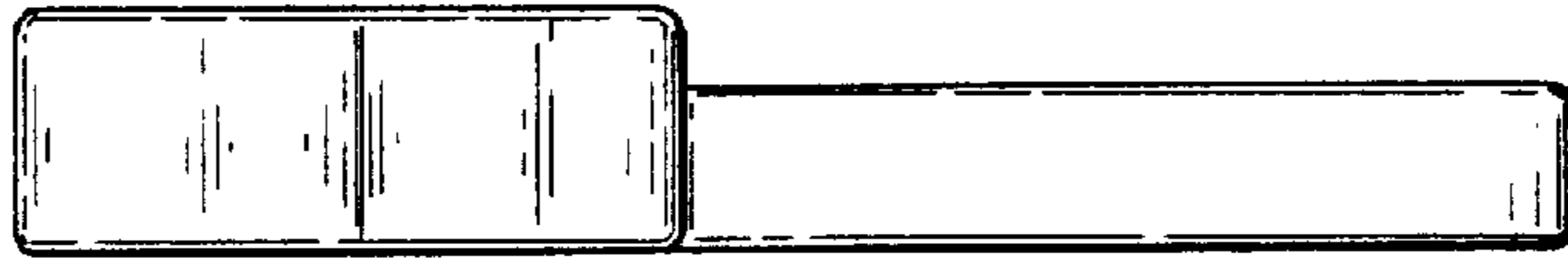


FIG-6

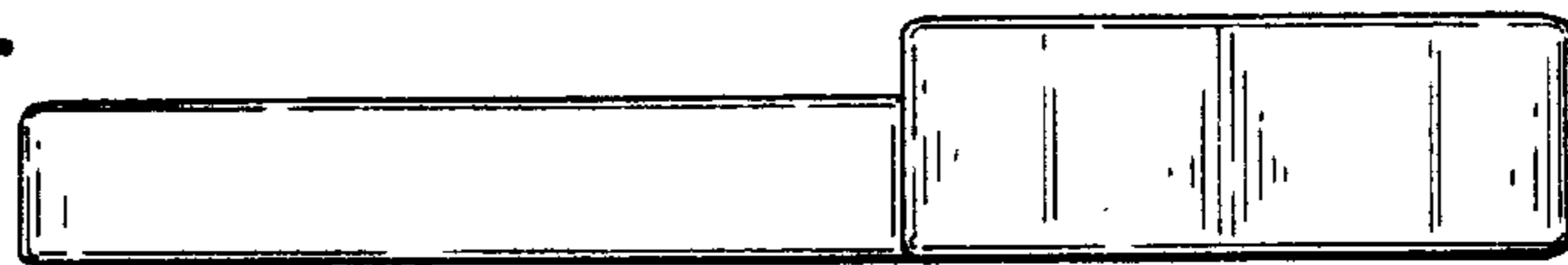


FIG-7

