



US00D402434S

United States Patent [19]
Votel

[11] **Patent Number:** **Des. 402,434**

[45] **Date of Patent:** ****Dec. 8, 1998**

[54] **LATERAL PATIENT TRANSFER
MECHANISM**

5,561,149 10/1996 Garman 5/81.1 R
5,619,762 4/1997 Mein 5/83.1

[75] Inventor: **Thomas W. Votel**, St. Paul, Minn.

Primary Examiner—Alan P. Douglas
Assistant Examiner—Robin V. Taylor
Attorney, Agent, or Firm—Patterson & Keough, P.A.

[73] Assignee: **Ergodyne Corporation**, St. Paul, Minn.

[**] Term: **14 Years**

[57] **CLAIM**

[21] Appl. No.: **78,858**

The ornamental design for a lateral patient transfer mechanism, as shown.

[22] Filed: **Nov. 5, 1997**

DESCRIPTION

[51] **LOC (6) Cl.** **12-05**

[52] **U.S. Cl.** **D34/28**

[58] **Field of Search** D34/28, 33, 35;
5/81.1 R, 83.1, 87.1

FIG. 1 is an elevated perspective view of a lateral patient transfer mechanism for transferring a patient from a first horizontal surface to a second horizontal surface;
FIG. 2 is a front plan view thereof;
FIG. 3 is a left-side plan view thereof;
FIG. 4 is a rear plan view thereof;
FIG. 5 is a right-side plan view thereof;
FIG. 6 is a top plan view thereof; and,
FIG. 7 is a bottom plan view thereof.

[56] **References Cited**

U.S. PATENT DOCUMENTS

D. 355,293 2/1995 Parker D34/28
4,680,819 7/1987 James 5/83.1
4,809,804 3/1989 Houston et al. 5/81.1 R

1 Claim, 4 Drawing Sheets

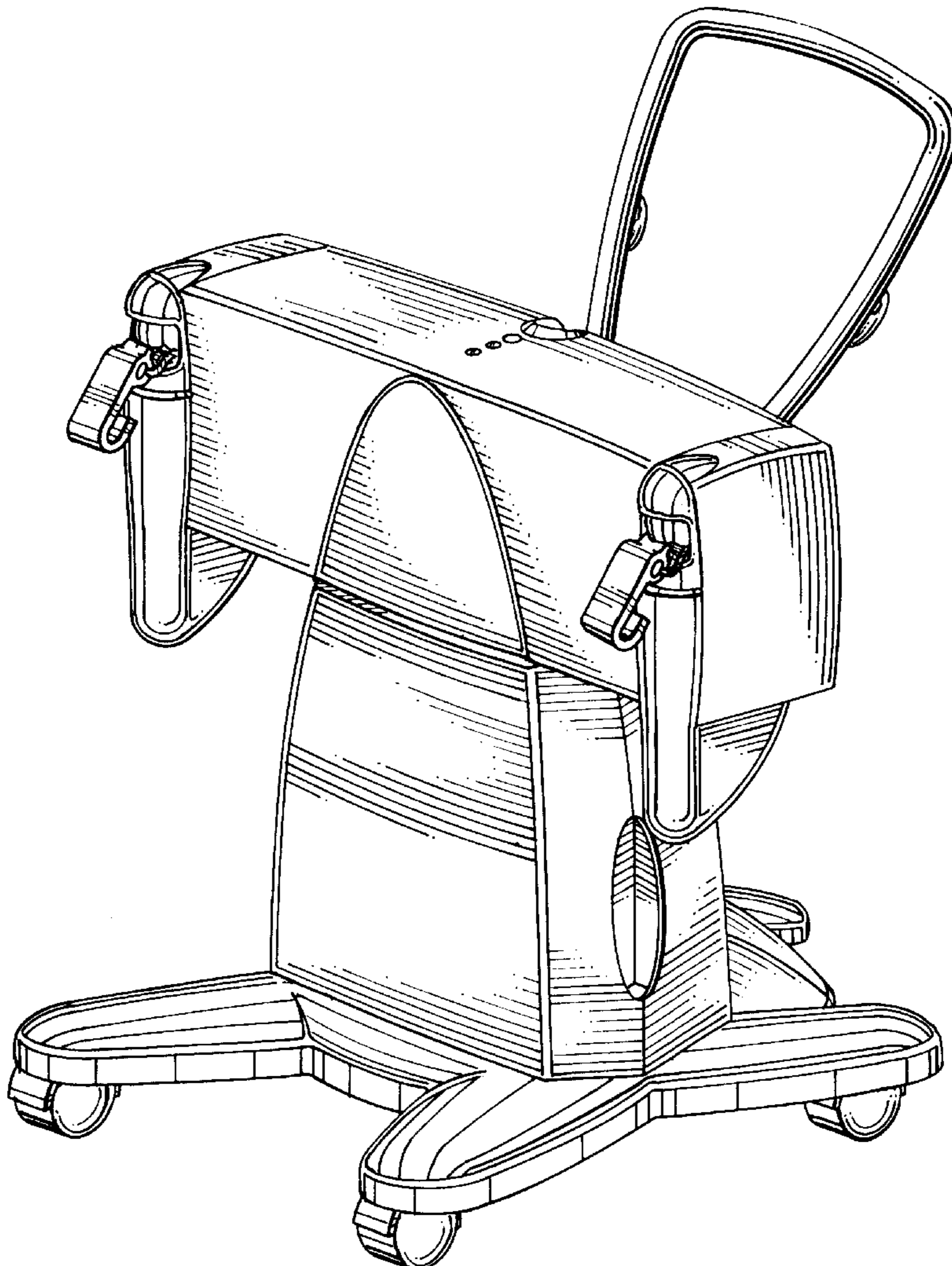


Fig. 1

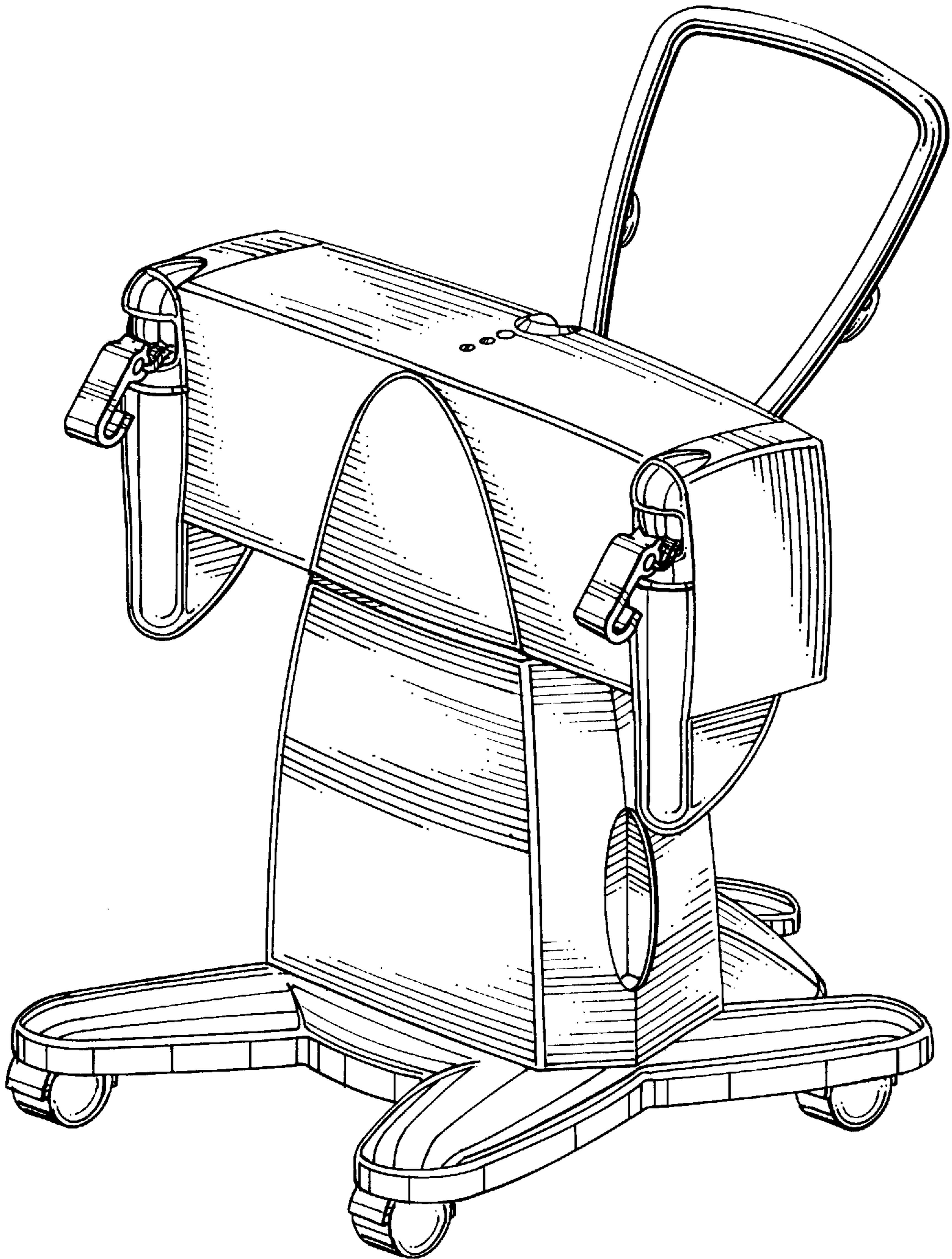


Fig. 2

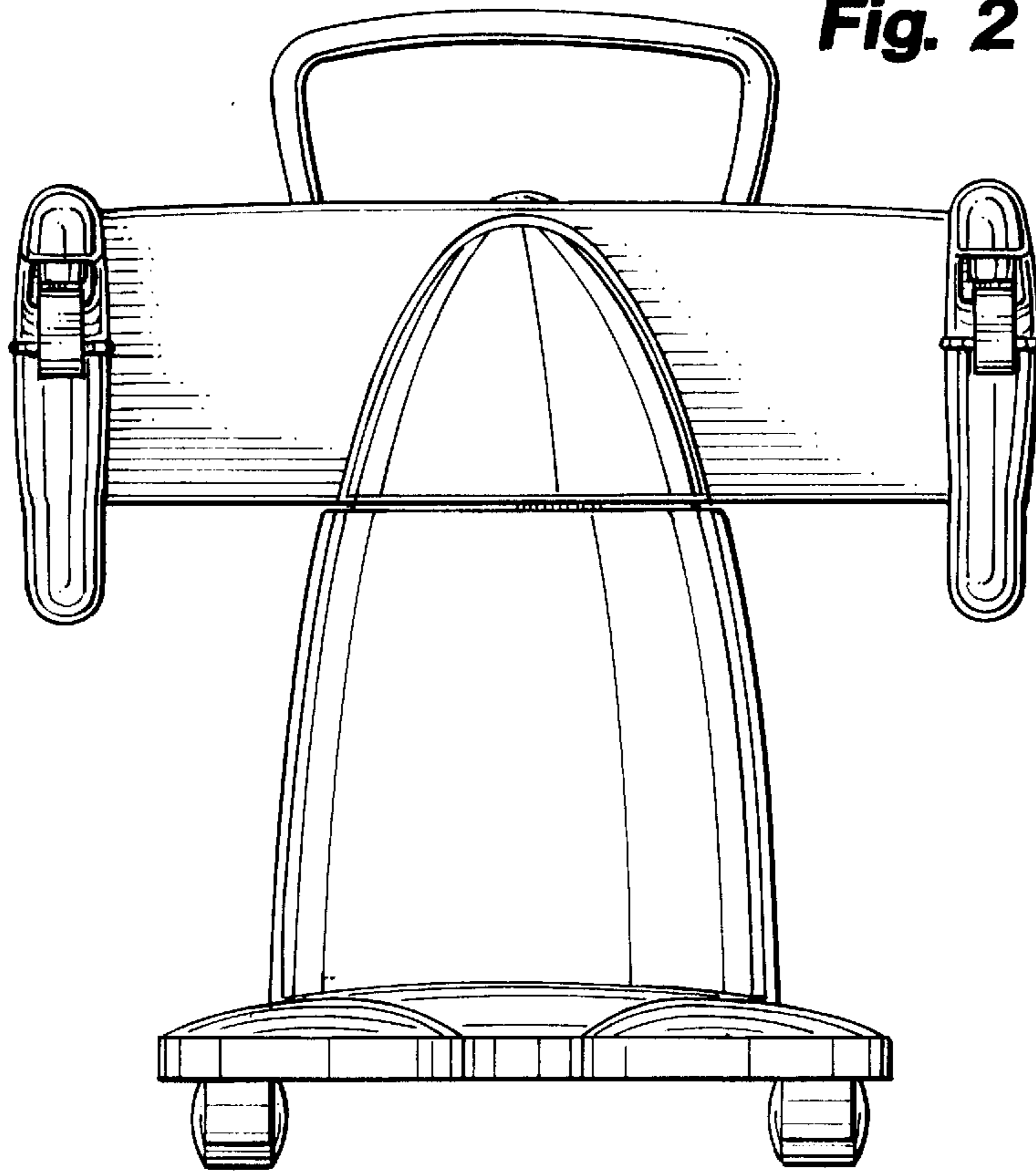
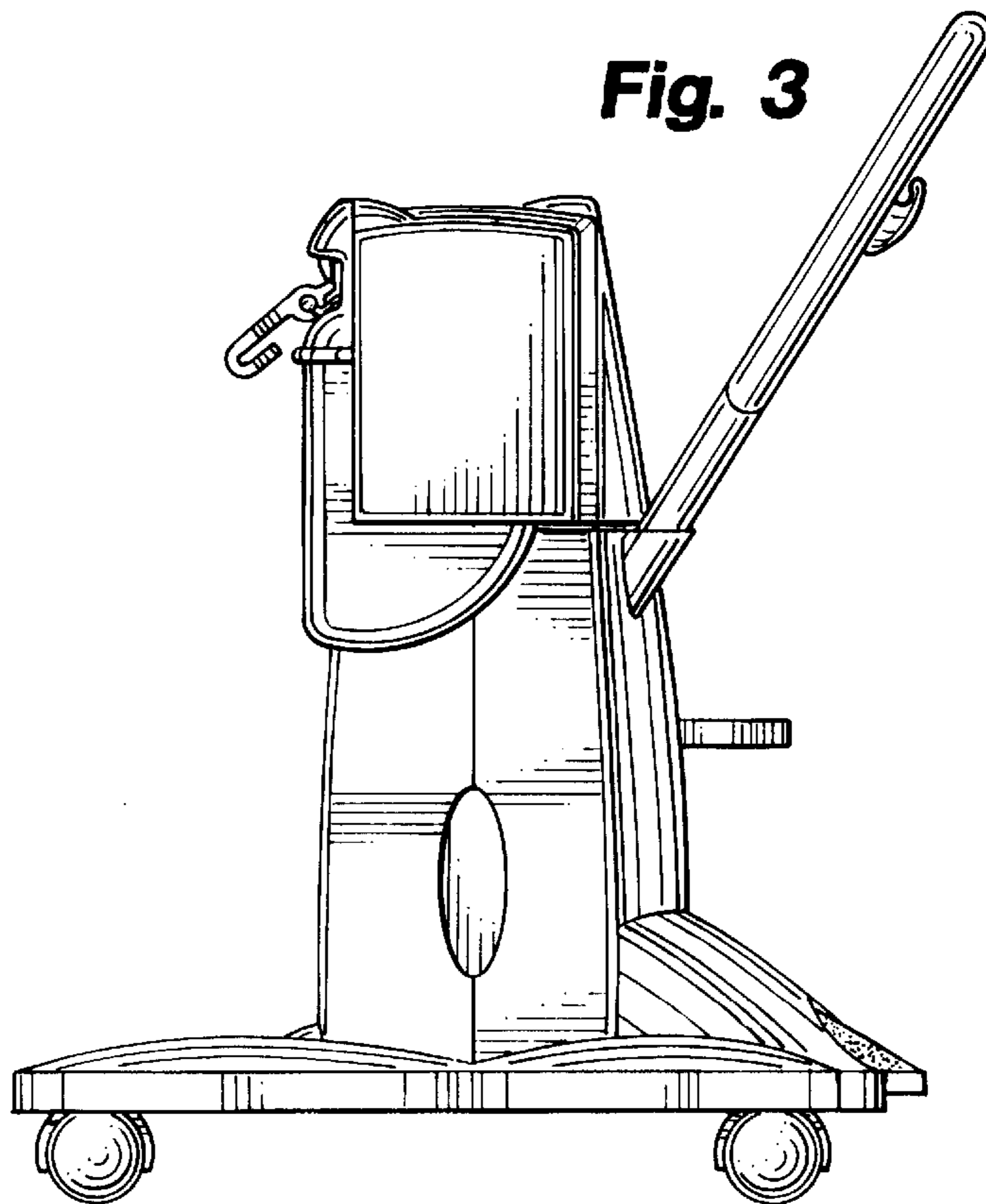


Fig. 3



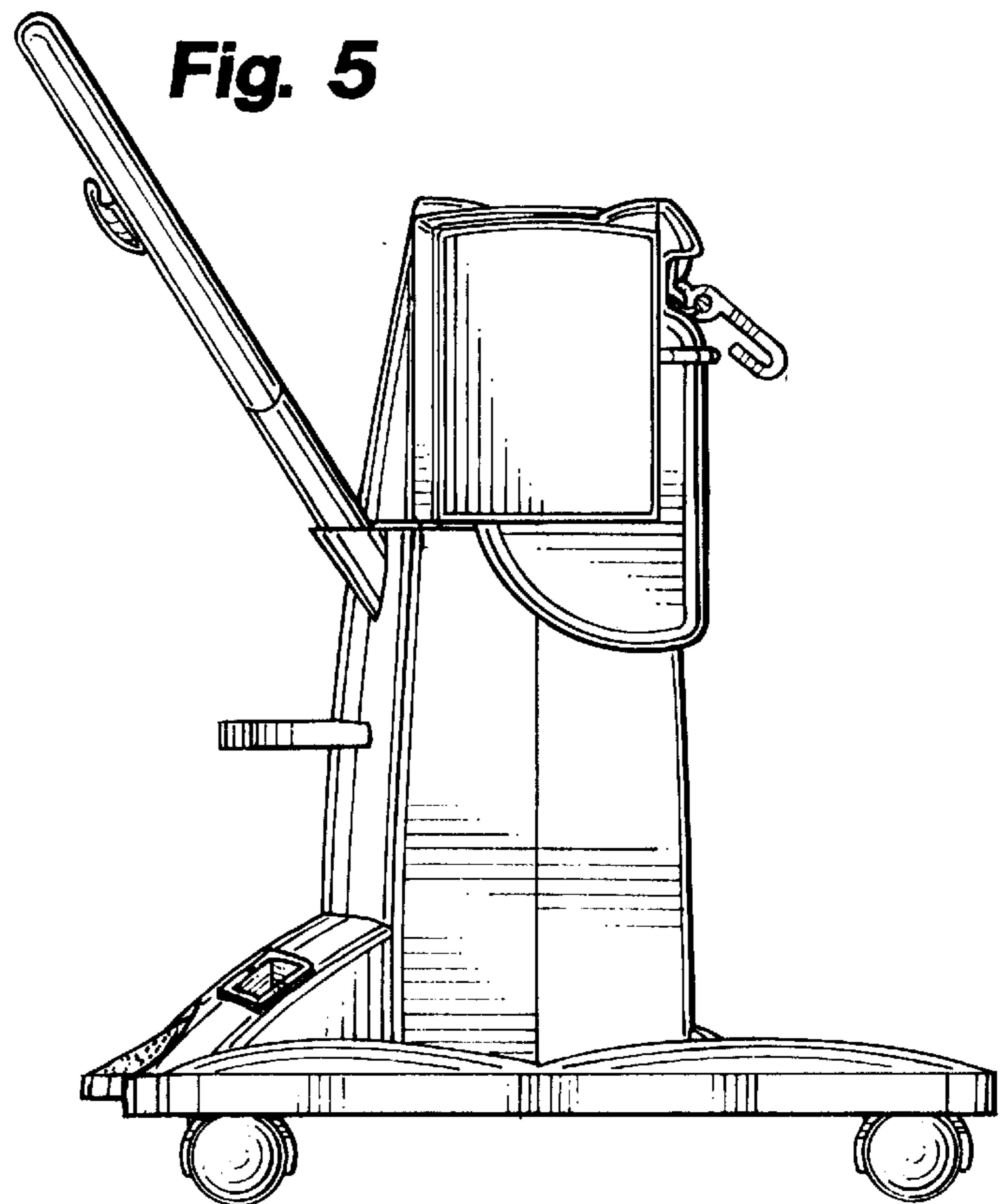
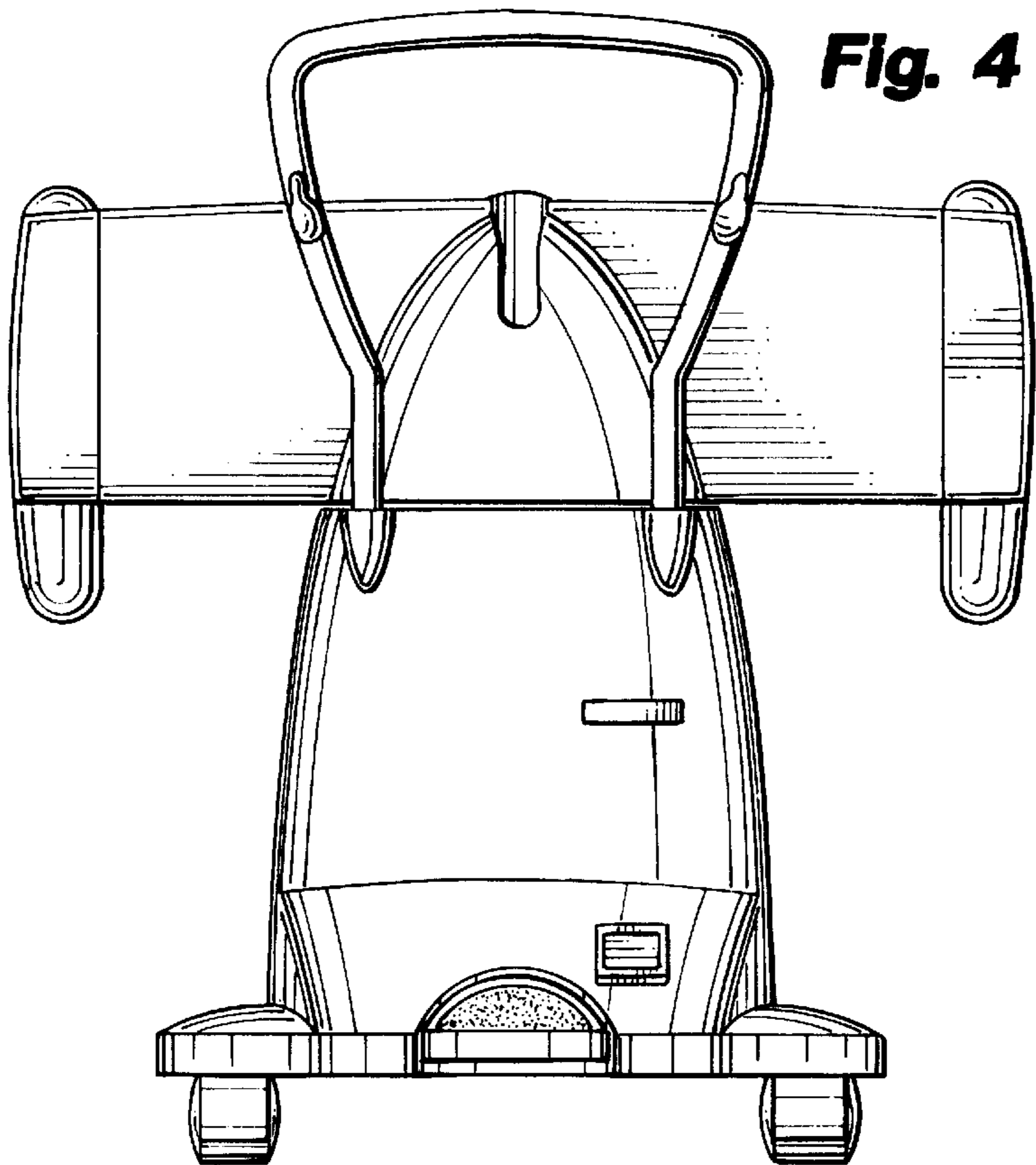


Fig. 6

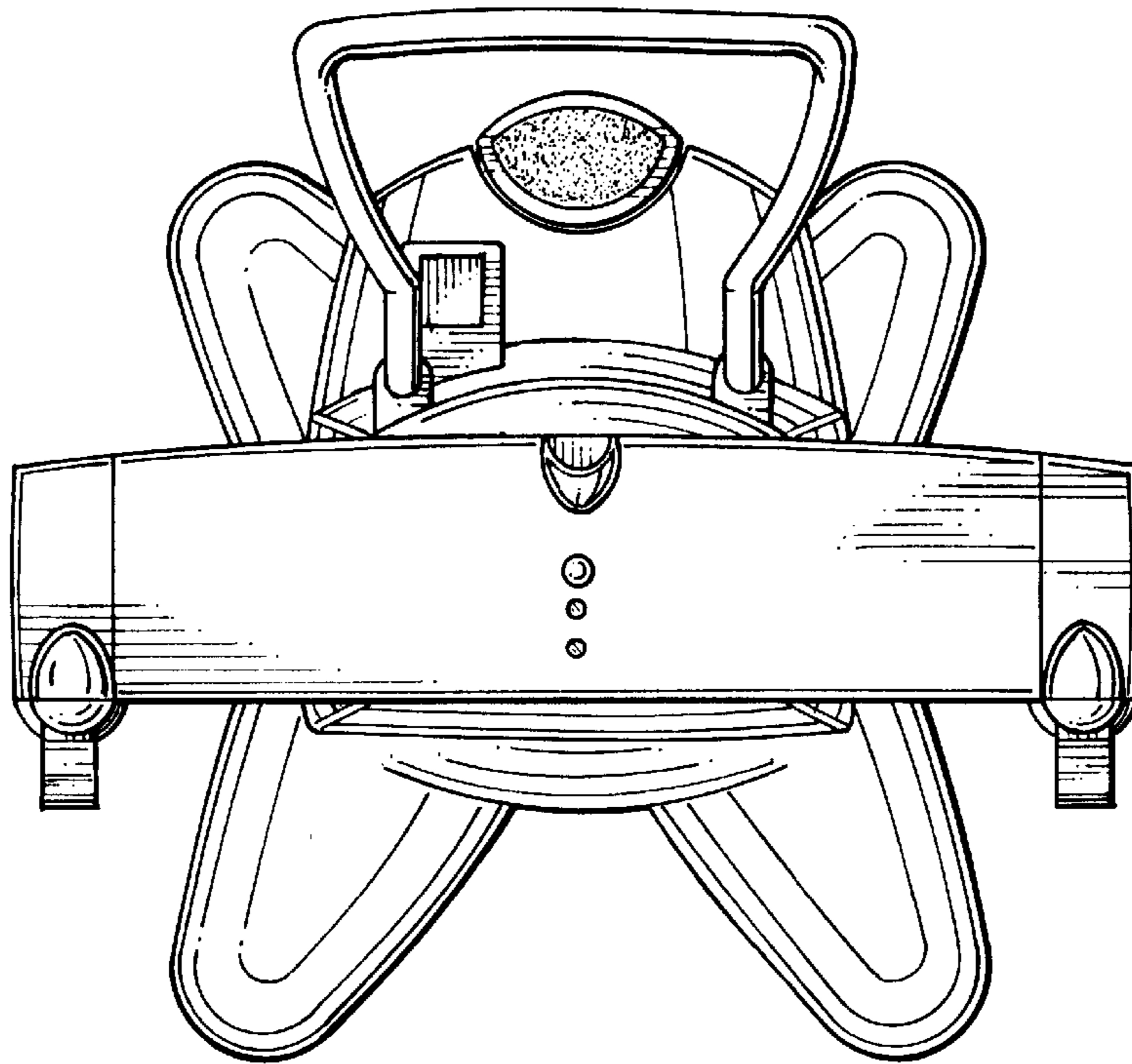


Fig. 7

