



US00D402433S

# United States Patent [19]

Wells

[11] Patent Number: Des. 402,433

[45] Date of Patent: \*\*Dec. 8, 1998

[54] CART FOR A STRING TRIMMER

5,626,006 5/1997 Fricke, Sr. .

[76] Inventor: James R. Wells, 1950 Sanders Ave.  
North, Fort Payne, Ala. 35967-3553

### FOREIGN PATENT DOCUMENTS

[\*\*] Term: 14 Years

1247027 10/1960 France .  
498393 1/1939 United Kingdom .  
1551622 8/1979 United Kingdom .

[21] Appl. No.: 81,963

Primary Examiner—Kay H. Chin  
Attorney, Agent, or Firm—Richard C. Litman

[22] Filed: Jan. 12, 1998

### [57] CLAIM

[51] LOC (6) Cl. .... 12-02

[52] U.S. Cl. .... D34/24; D34/26

[58] Field of Search ..... D34/12-26; 280/47.24,  
280/47.26, 47.29, 654, 652, 645; D15/14,  
16, 17; 56/17.1-17.6

The ornamental design for a cart for a string trimmer, as shown and described.

### DESCRIPTION

### [56] References Cited

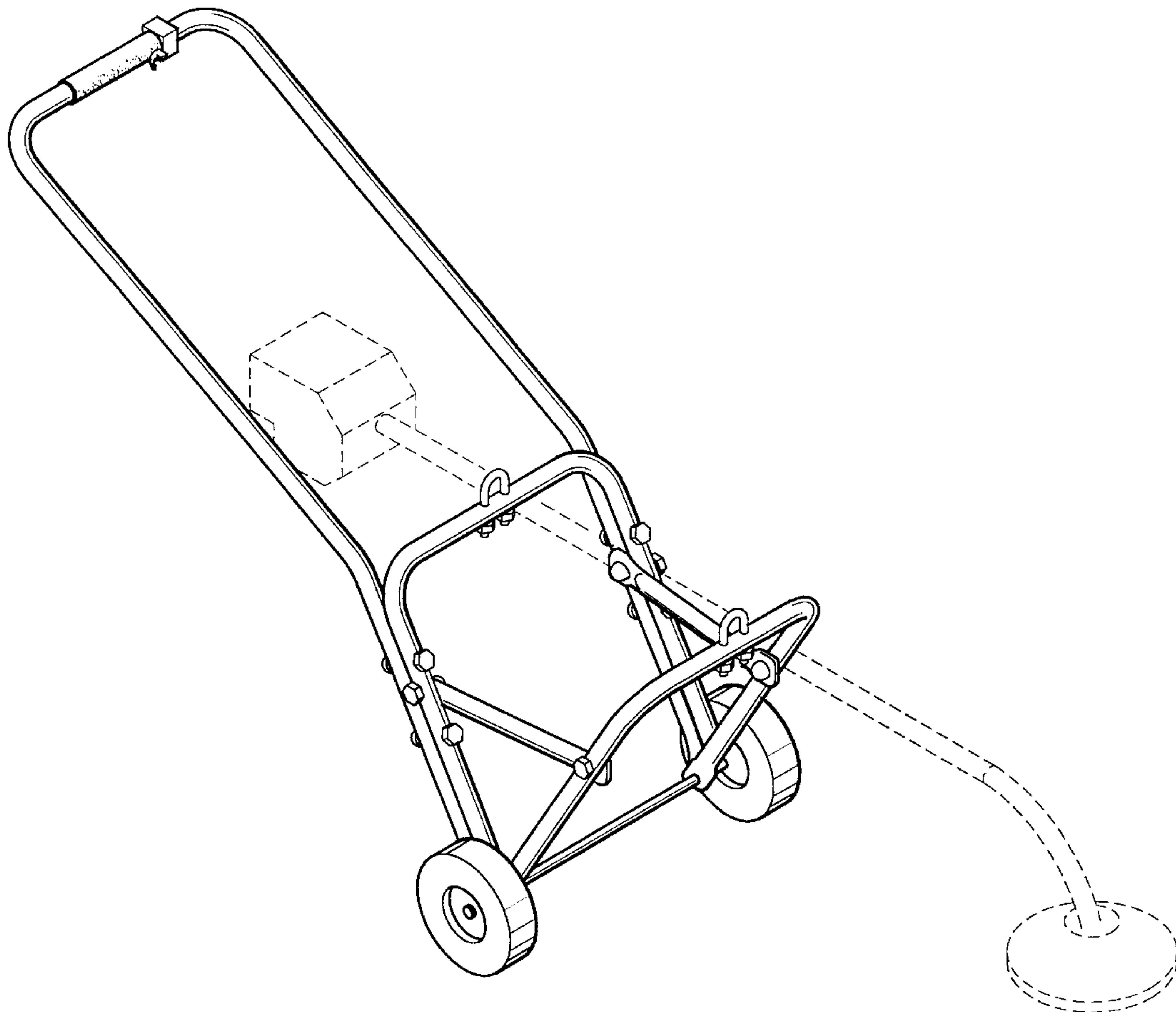
#### U.S. PATENT DOCUMENTS

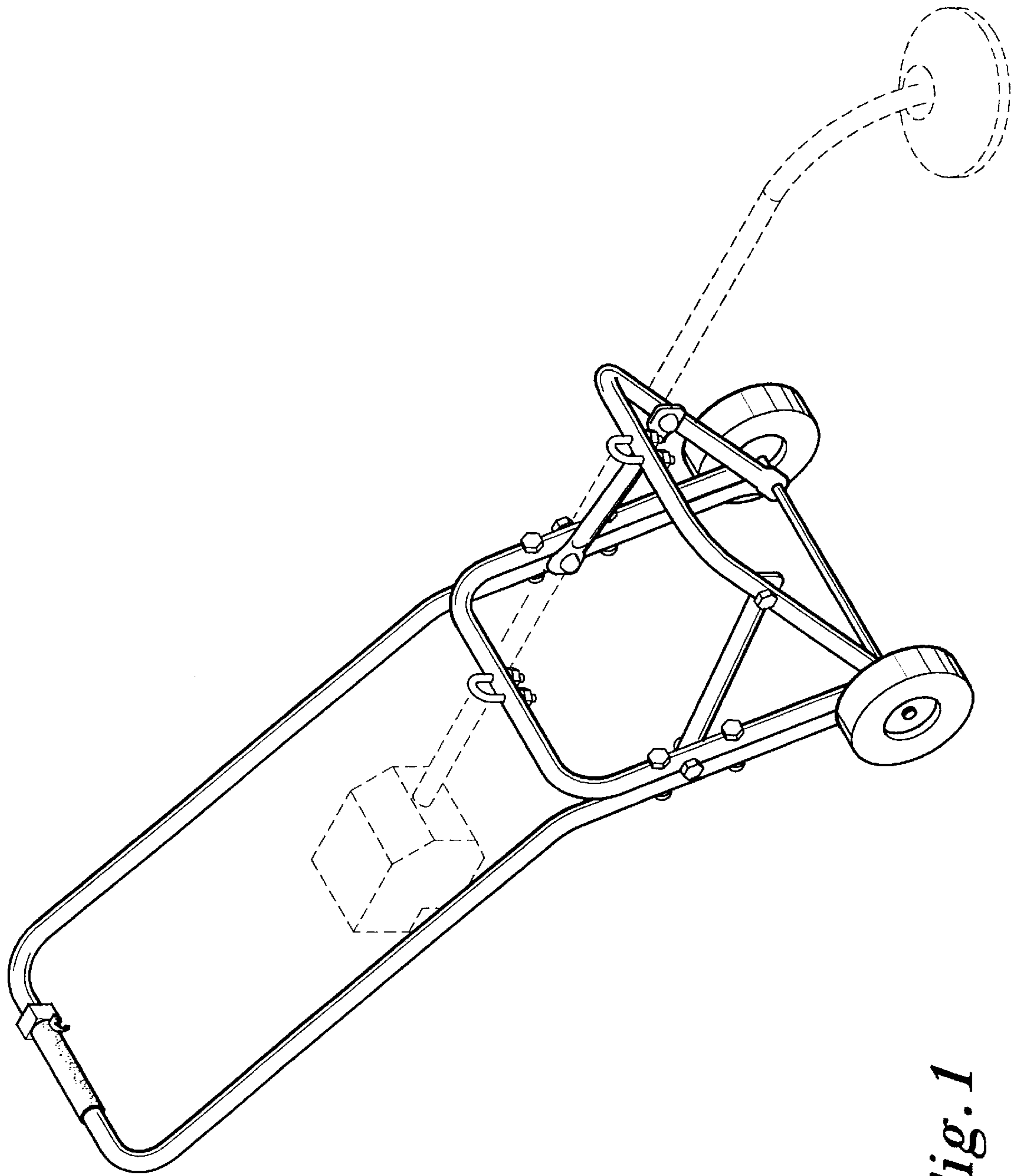
D. 165,516 12/1951 Eging ..... D34/26  
3,102,733 9/1963 Burnett ..... 280/654  
4,261,447 4/1981 Arias et al. .... 280/47.29 X  
4,922,694 5/1990 Emoto .  
4,936,886 6/1990 Quillen .  
5,092,112 3/1992 Buckendorf, Jr. .  
5,222,750 6/1993 Ellis .  
5,313,770 5/1994 Smothers .  
5,408,816 4/1995 Cartier .  
5,460,307 10/1995 Stevenson ..... 224/153

FIG. 1 is a perspective view of a cart for a string trimmer showing my new design;  
FIG. 2 is a right side elevational view thereof, with the left side elevation being a mirror image;  
FIG. 3 is a front elevational view thereof;  
FIG. 4 is a rear elevational view thereof; and,  
FIG. 5 is a top plan view thereof.

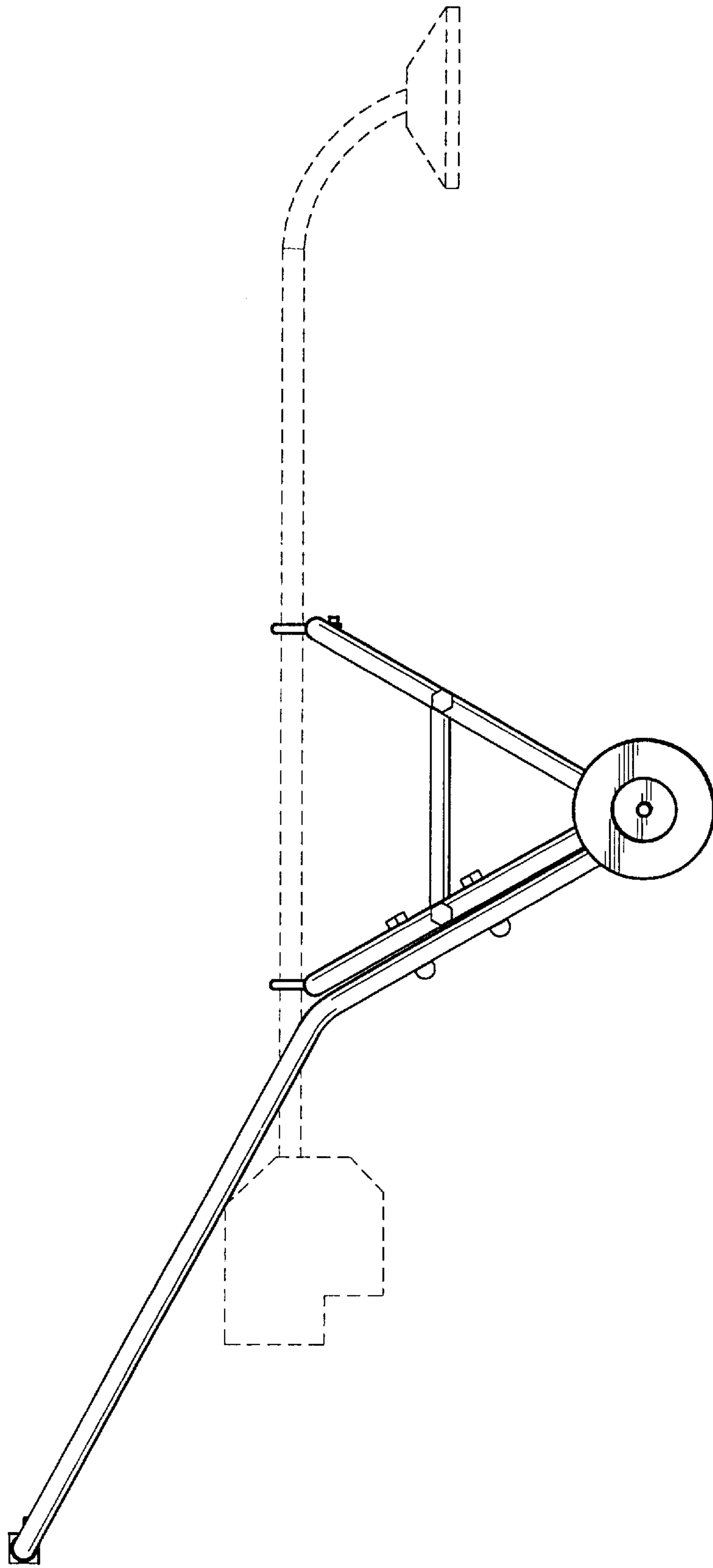
The bottom view of the design is plain and unornamented. The broken line showing of a string trimmer in FIGS. 1 and 2 is for illustrative purposes only and forms no part of the claimed design.

1 Claim, 3 Drawing Sheets

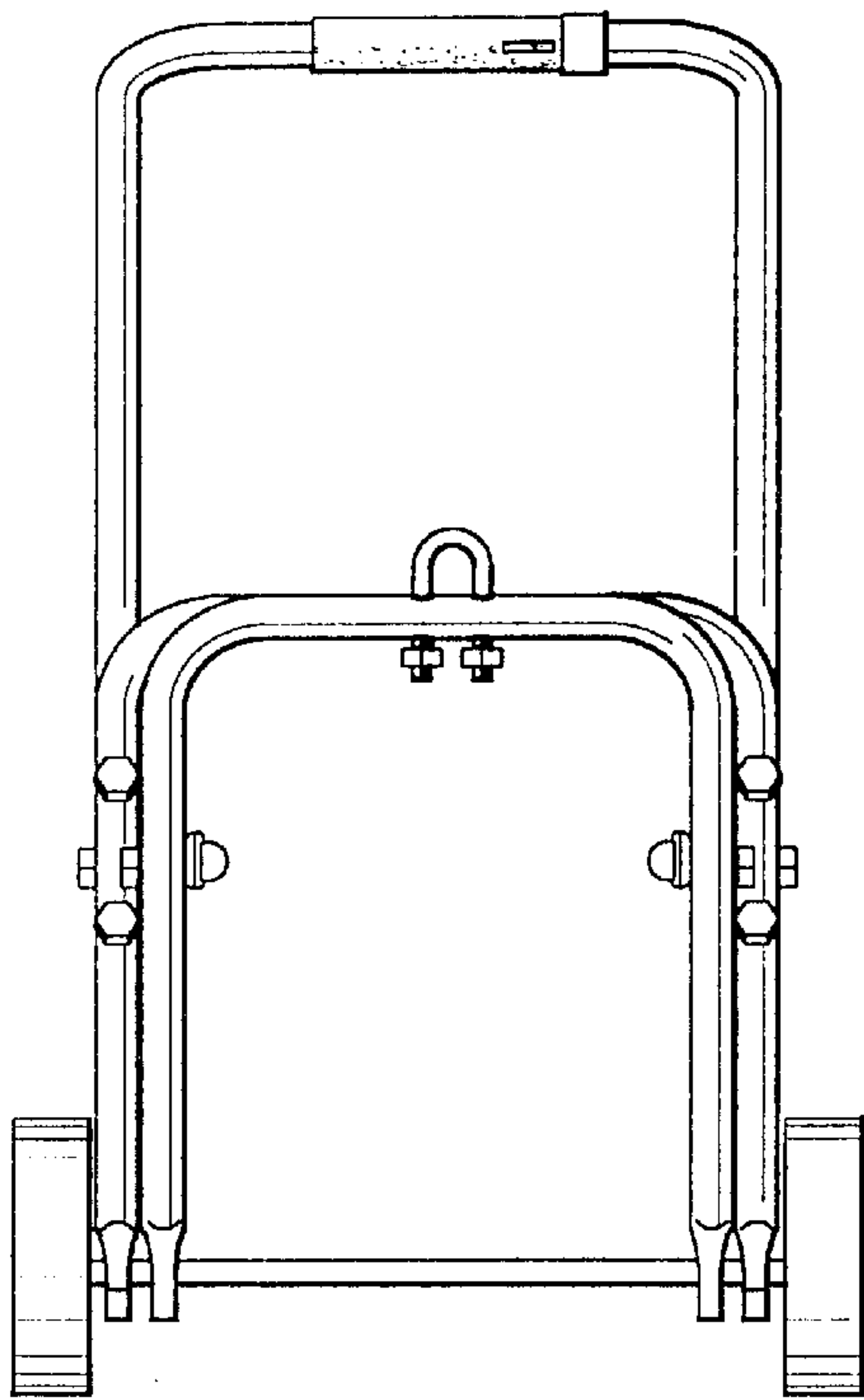




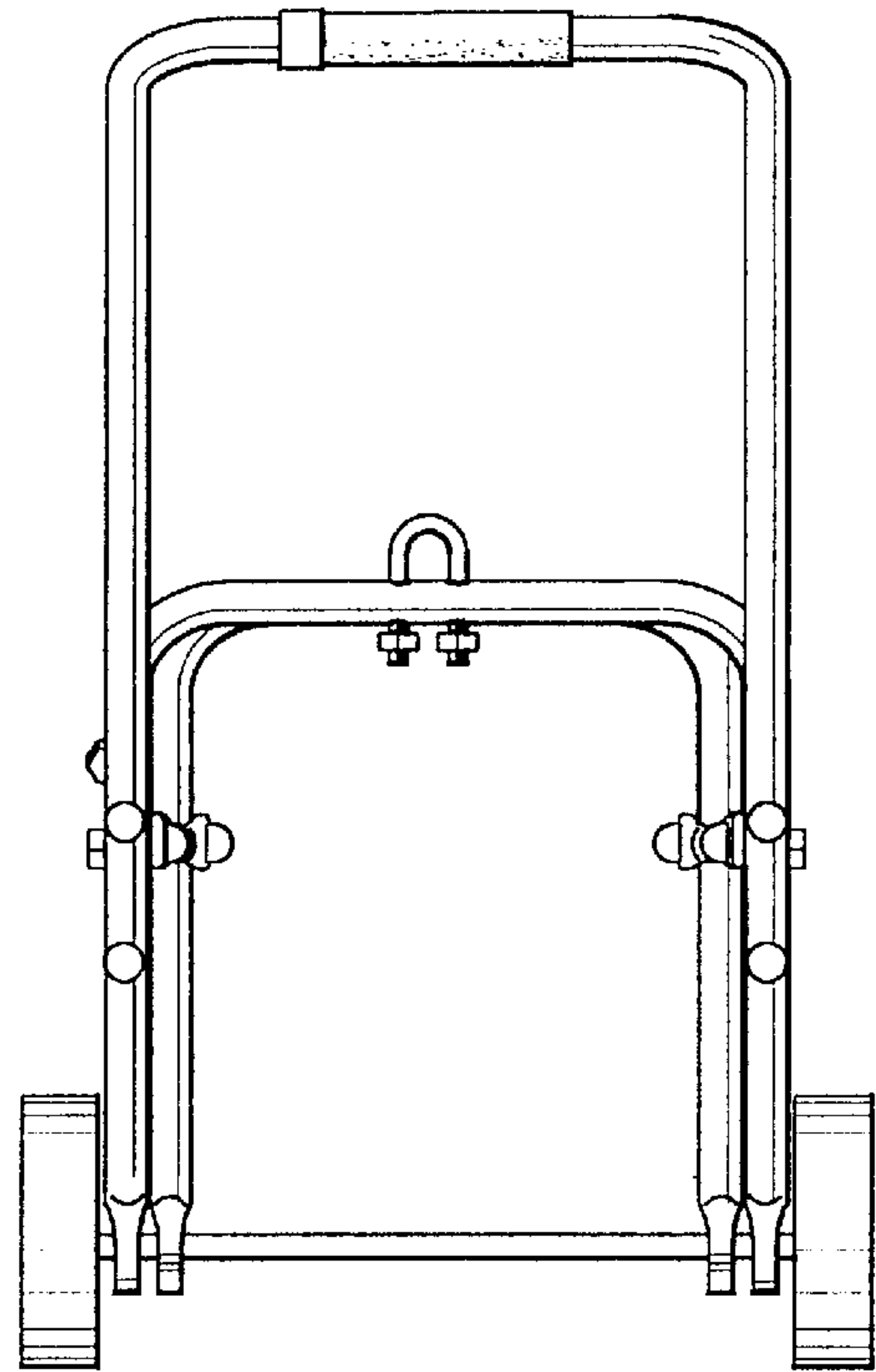
*Fig. 1*



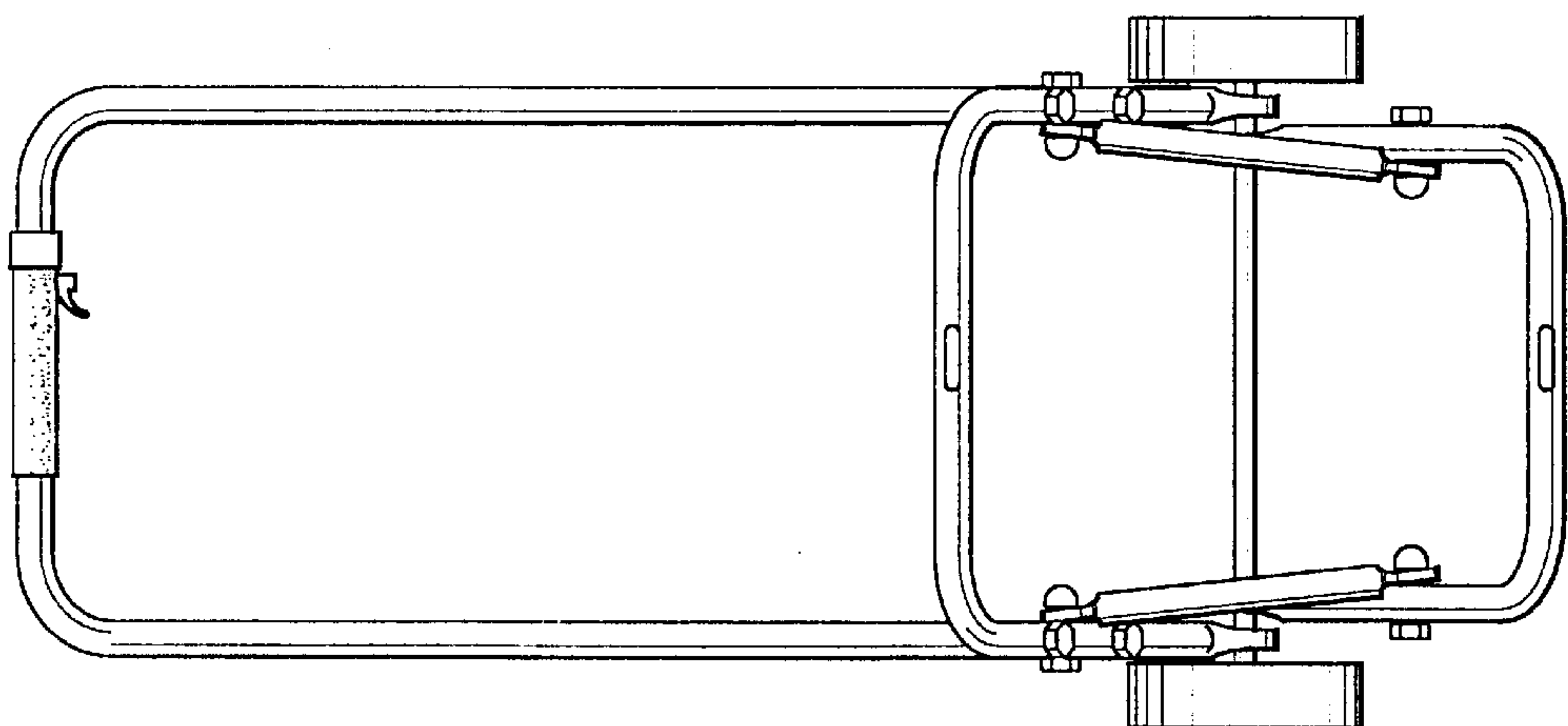
*Fig. 2*



*Fig. 3*



*Fig. 4*



*Fig. 5*