



US00D402432S

United States Patent [19] Harris

[11] Patent Number: **Des. 402,432**

[45] Date of Patent: ****Dec. 8, 1998**

[54] **CREEPER**

[75] Inventor: **Roger Harris**, Kettering, Ohio

[73] Assignee: **Whiteside Mfg. Co.**, Delaware, Colo.

[**] Term: **14 Years**

[21] Appl. No.: **83,168**

[22] Filed: **Feb. 6, 1998**

[51] **LOC (6) Cl.** **12-02**

[52] **U.S. Cl.** **D34/23**

[58] **Field of Search** D34/12, 23; 280/32.6,
280/32.5, 79.11

Lisle "Creepers" advertisement, pp. 44 and 45 (undated).

E-Z Red "E-Z Rider" advertisement, 1 page (undated).

Wilmar Corporation "PT Performance Tool" product catalog, 2 pages (1996).

Petersen Automotive—Flambeau advertisement, 2 pages (undated).

United Auto Systems (Mack Tools) "Creepers" advertisement, 1 page (undated).

Whiteside Catalog advertisement, cover and 4 pages (1993).

Whiteside Catalog advertisement, cover and 3 pages (1995).

Primary Examiner—Kay H. Chin

Attorney, Agent, or Firm—Renner, Kenner, Greive, Bobak, Taylor & Weber

[56] **References Cited**

U.S. PATENT DOCUMENTS

D. 230,971	3/1974	Shanklin	D14/3 M
D. 325,799	4/1992	Chen	D34/23
D. 330,619	10/1992	Gilbert et al.	D34/23
D. 351,707	10/1994	Pill	D34/23
2,288,568	6/1942	Holmes	280/32.6
2,716,181	8/1955	Ritter	280/32.6
4,244,594	1/1981	Hines	280/32.6
4,570,957	2/1986	Rose	280/32.6
5,174,592	12/1992	Pool	280/32.6
5,195,763	3/1993	Scott et al.	280/32.6
5,330,209	7/1994	Pool	280/32.6

OTHER PUBLICATIONS

Rel Products Incorporated advertisement, cover and 2 pages (undated).

P&B Mfg. Co. "Blue Max" advertisement, 1 page (1990).

[57] **CLAIM**

The ornamental design for a creeper, as shown and described.

DESCRIPTION

FIG. 1 is a top, left side, front elevational view of a creeper showing my new design;

FIG. 2 is a back elevational view thereof;

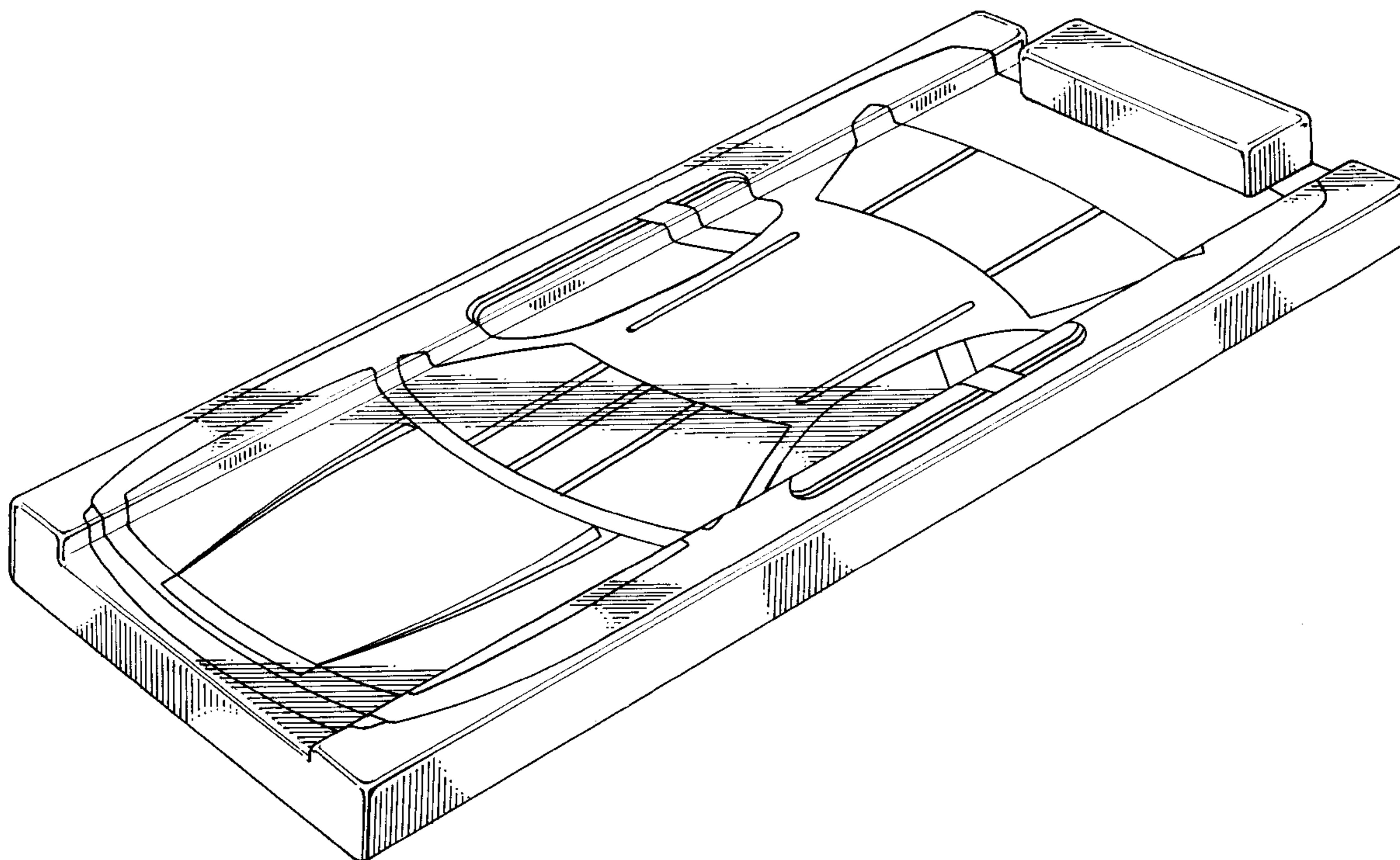
FIG. 3 is a front elevational view thereof;

FIG. 4 is a right side elevational view thereof, the left side being a mirror image of FIG. 4;

FIG. 5 is a top plan view thereof; and,

FIG. 6 is a bottom plan view thereof.

1 Claim, 4 Drawing Sheets



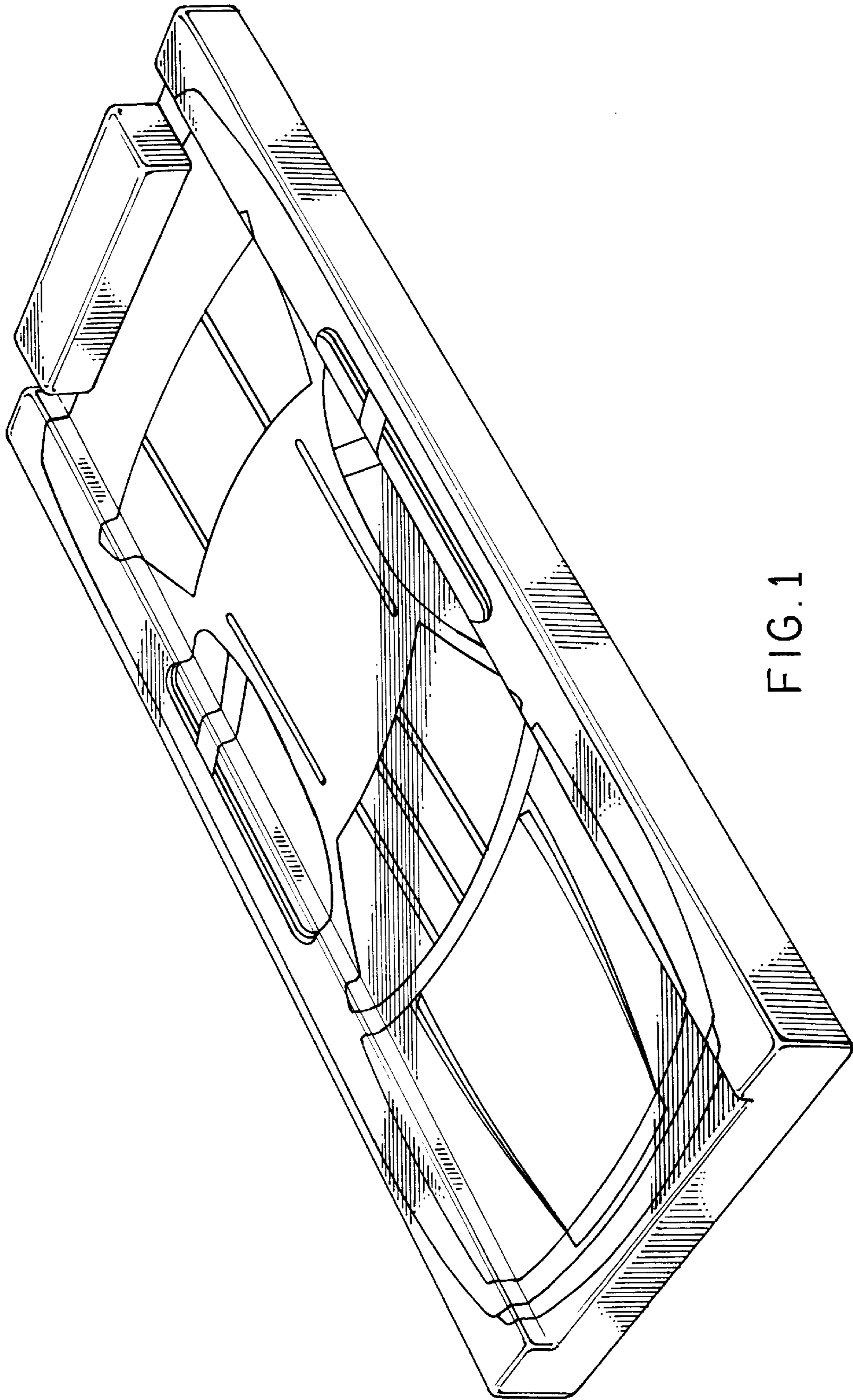


FIG. 1

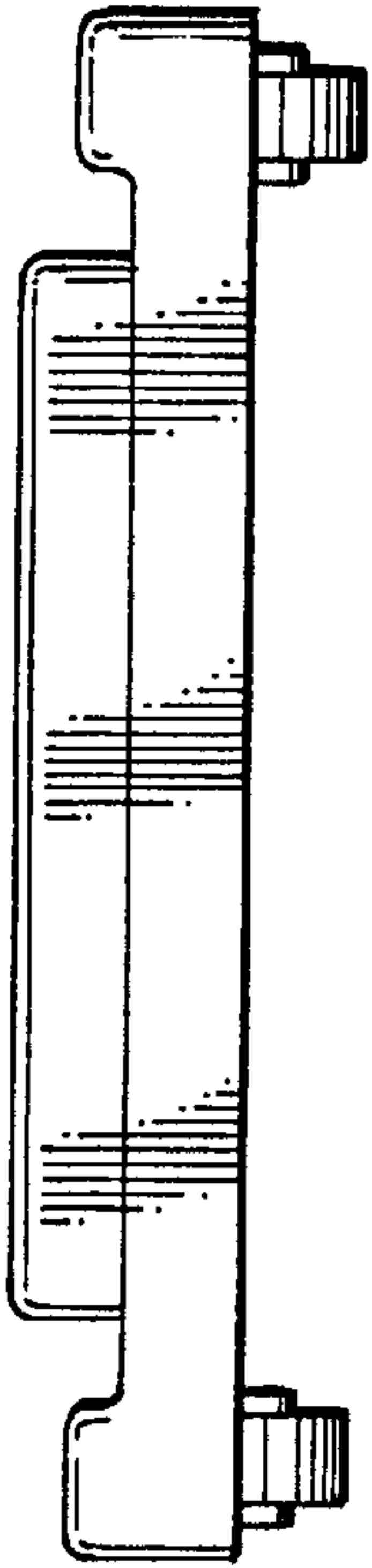


FIG. 2

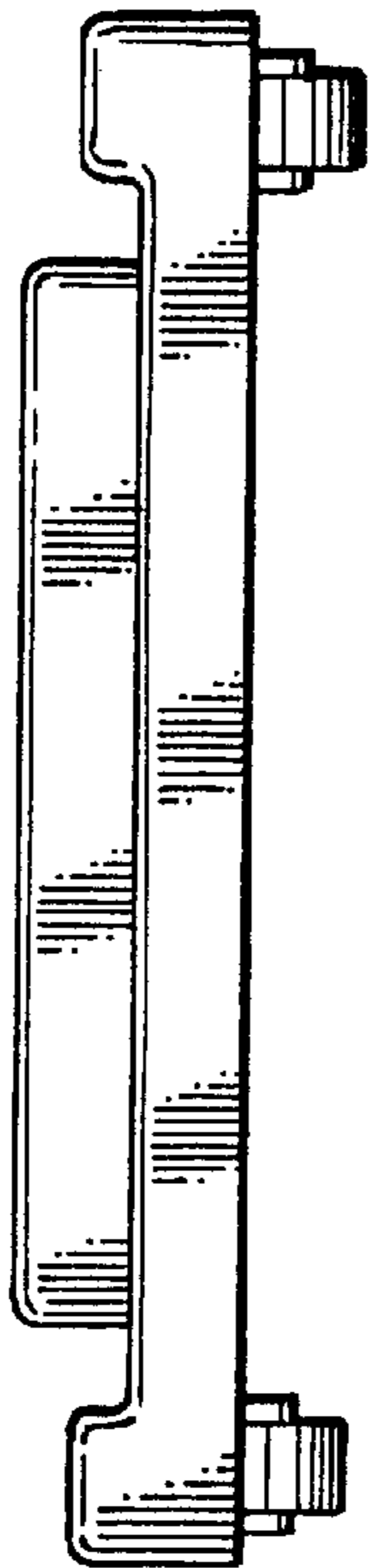


FIG. 3

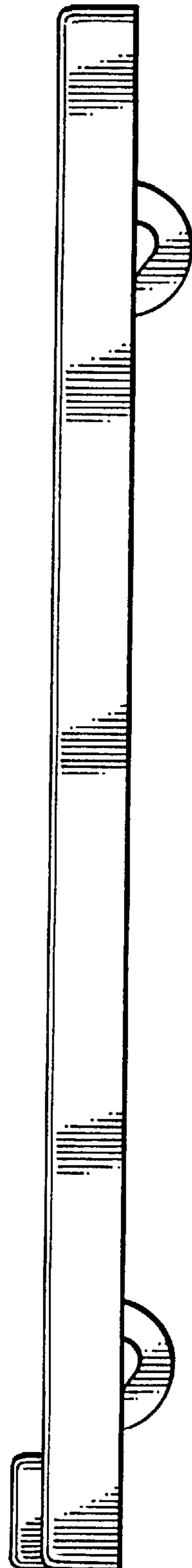


FIG. 4

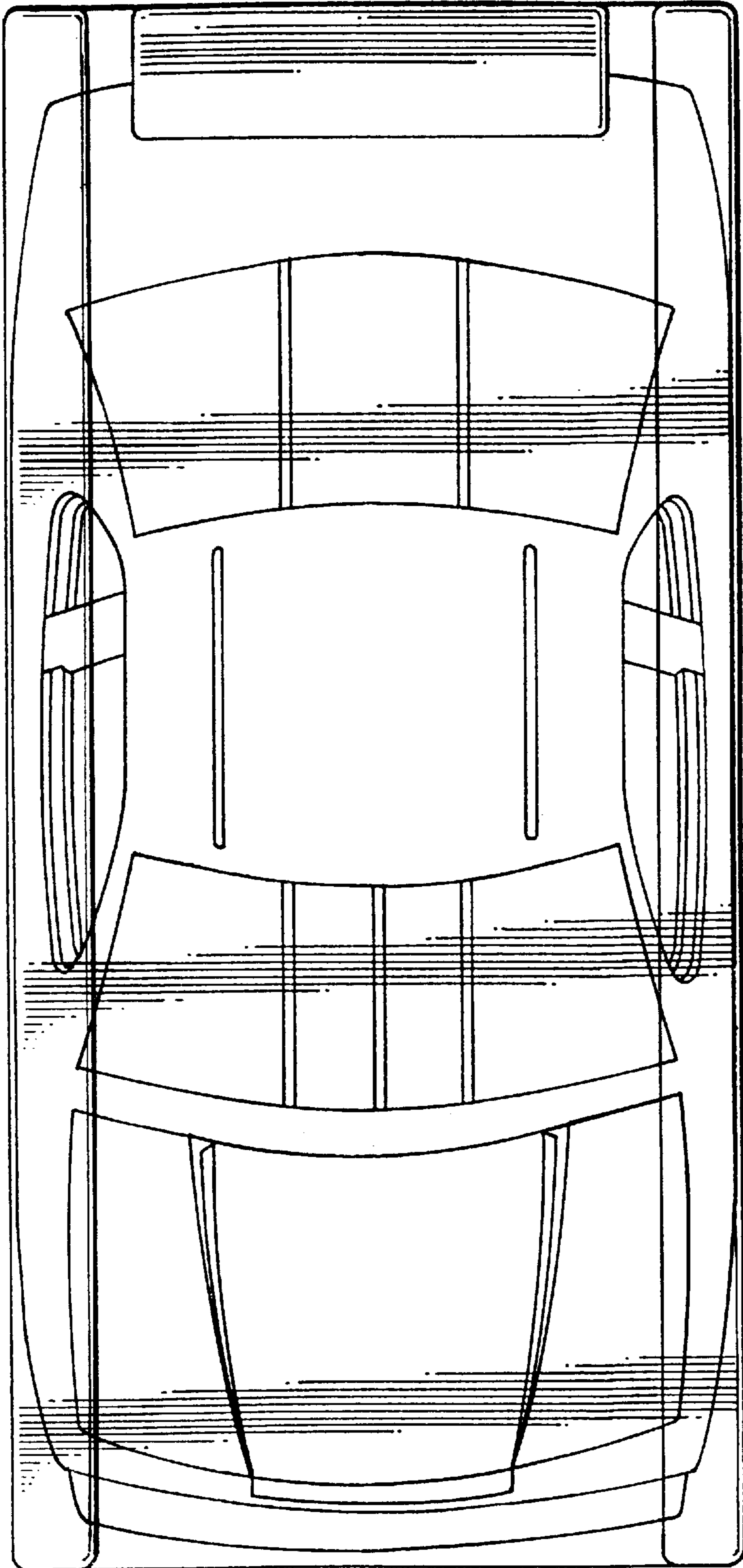


FIG. 5

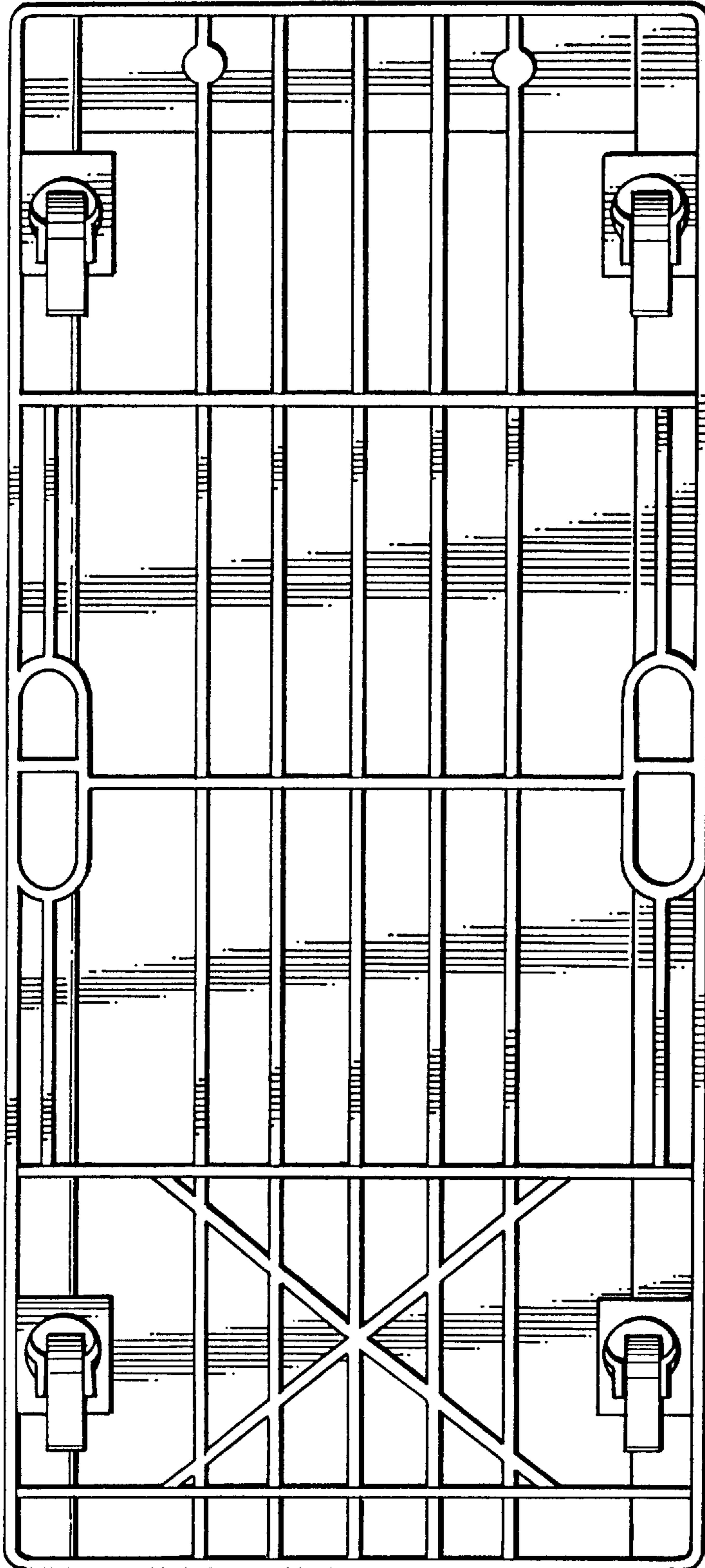


FIG. 6