



US00D402428S

United States Patent [19] Chrisco

[11] **Patent Number: Des. 402,428**

[45] **Date of Patent: **Dec. 8, 1998**

[54] **COMBINATION FEEDER AND WATERER FOR PETS**

[75] Inventor: **Larry L. Chrisco**, Fairland, Okla.

[73] Assignee: **Blitz U.S.A., Inc.**, Miami, Okla.

[**] Term: **14 Years**

[21] Appl. No.: **77,612**

[22] Filed: **Oct. 7, 1997**

[51] **LOC (6) Cl. 30-07**

[52] **U.S. Cl. D30/121; D30/132**

[58] **Field of Search D30/121-132; 119/60-61, 51.01, 51.13, 51.5, 52.1, 53, 55, 57.4, 57.91, 71-72, 74, 78**

[56] **References Cited**

U.S. PATENT DOCUMENTS

D. 207,166	3/1967	Noble	D30/132
D. 330,098	10/1992	VanSkiver	D30/132
D. 338,287	8/1993	Tonner	D30/122
D. 350,841	9/1994	VanSkiver	D30/121
D. 364,942	12/1995	VanSkiver et al.	D30/121

4,134,365	1/1979	Futers et al.	D30/132
4,303,039	12/1981	Thibault	119/53
4,721,063	1/1988	Atchley	119/61
5,335,624	8/1994	Baxter et al.	119/51.5
5,588,394	12/1996	Balistreri	119/51.5

Primary Examiner—Cathy Anne MacCormac
Attorney, Agent, or Firm—Hovey, Williams, Timmons & Collins

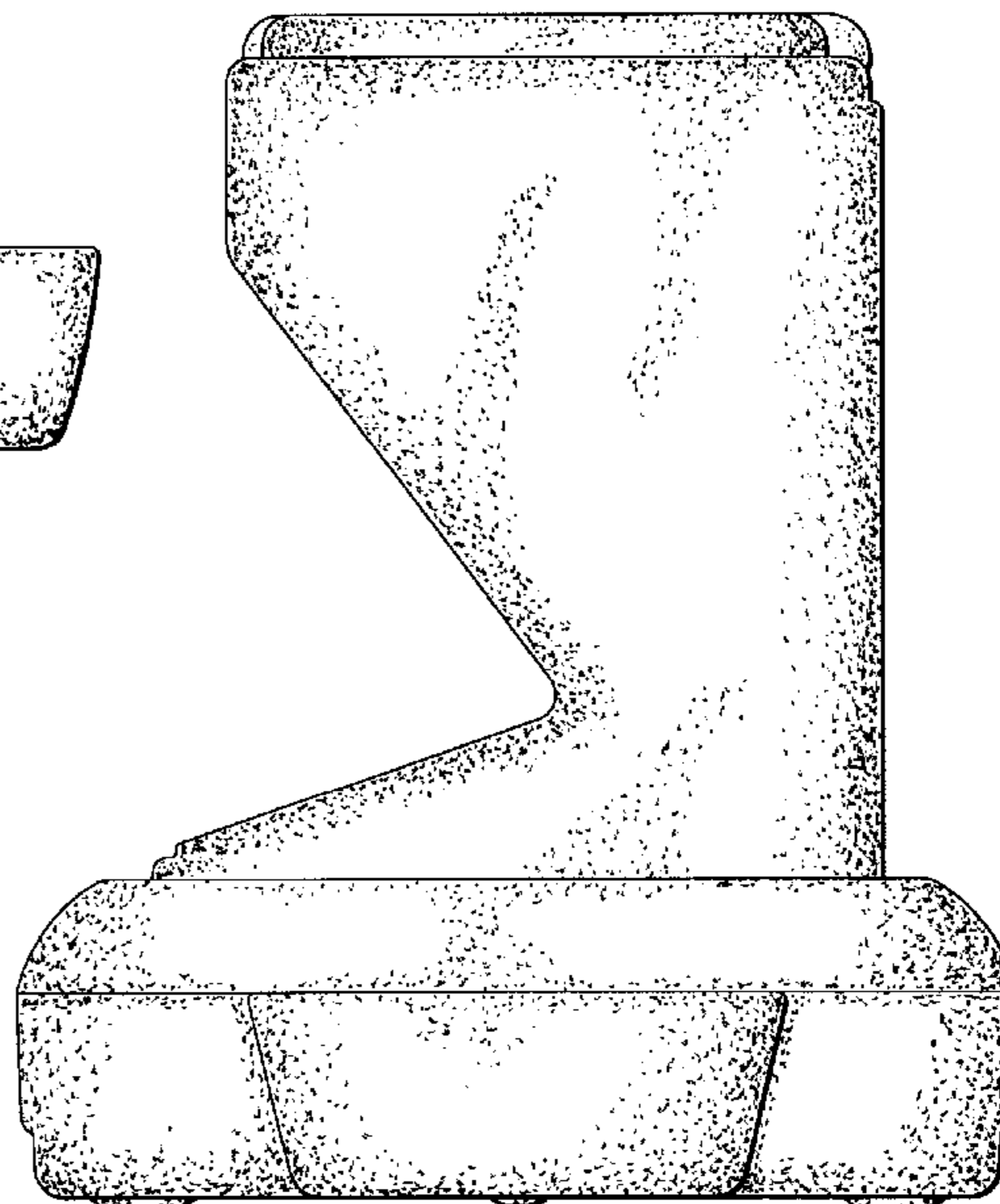
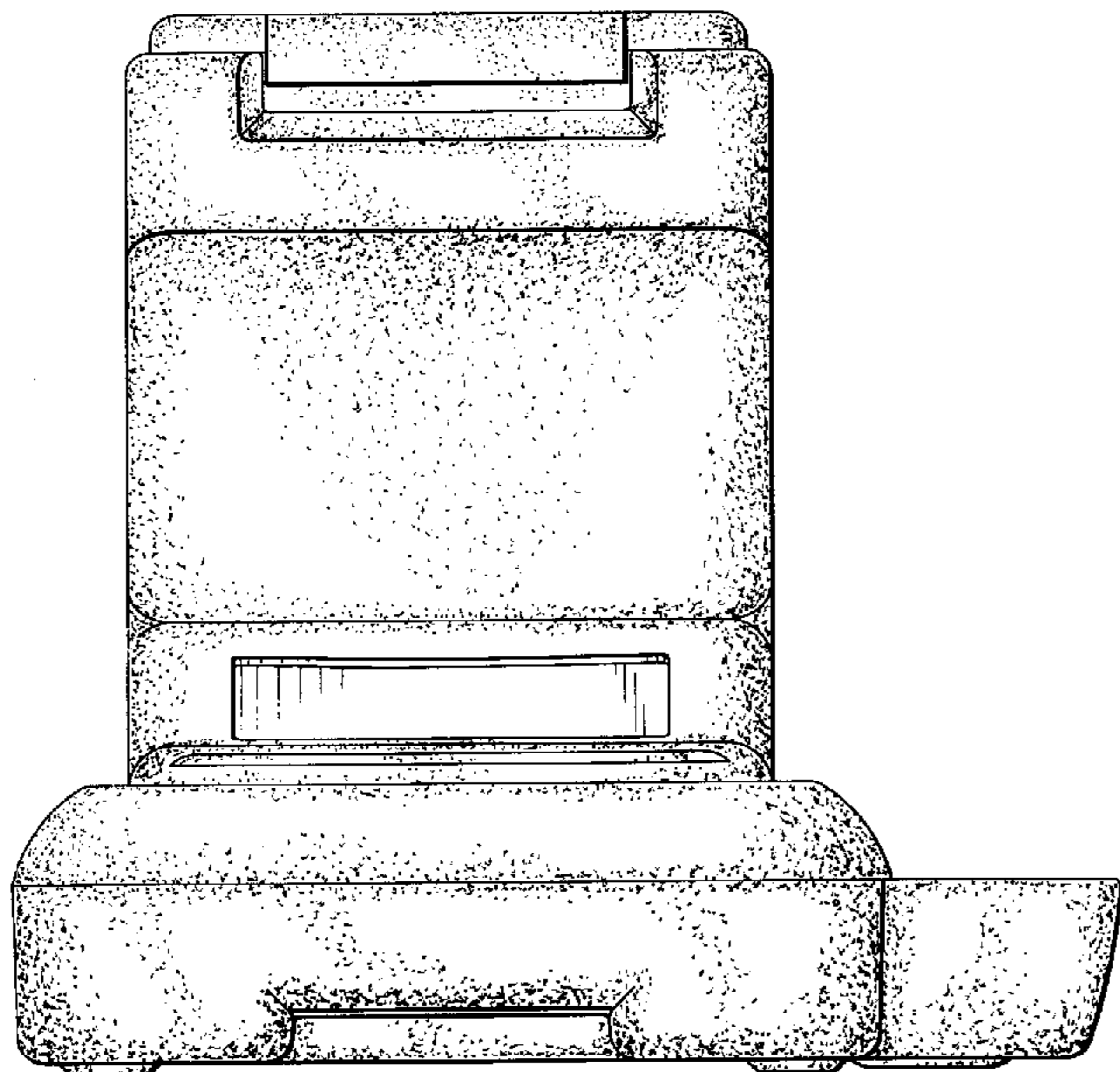
[57] **CLAIM**

The ornamental design for a combination feeder and waterer for pets, as shown and described.

DESCRIPTION

FIG. 1 is a front elevational view of the combination feeder and waterer for pets;
FIG. 2 is a side elevational view thereof;
FIG. 3 is a side elevational view opposite to that shown in FIG. 2;
FIG. 4 is a rear elevational view;
FIG. 5 is a top plan view; and,
FIG. 6 is a bottom plan view.

1 Claim, 2 Drawing Sheets



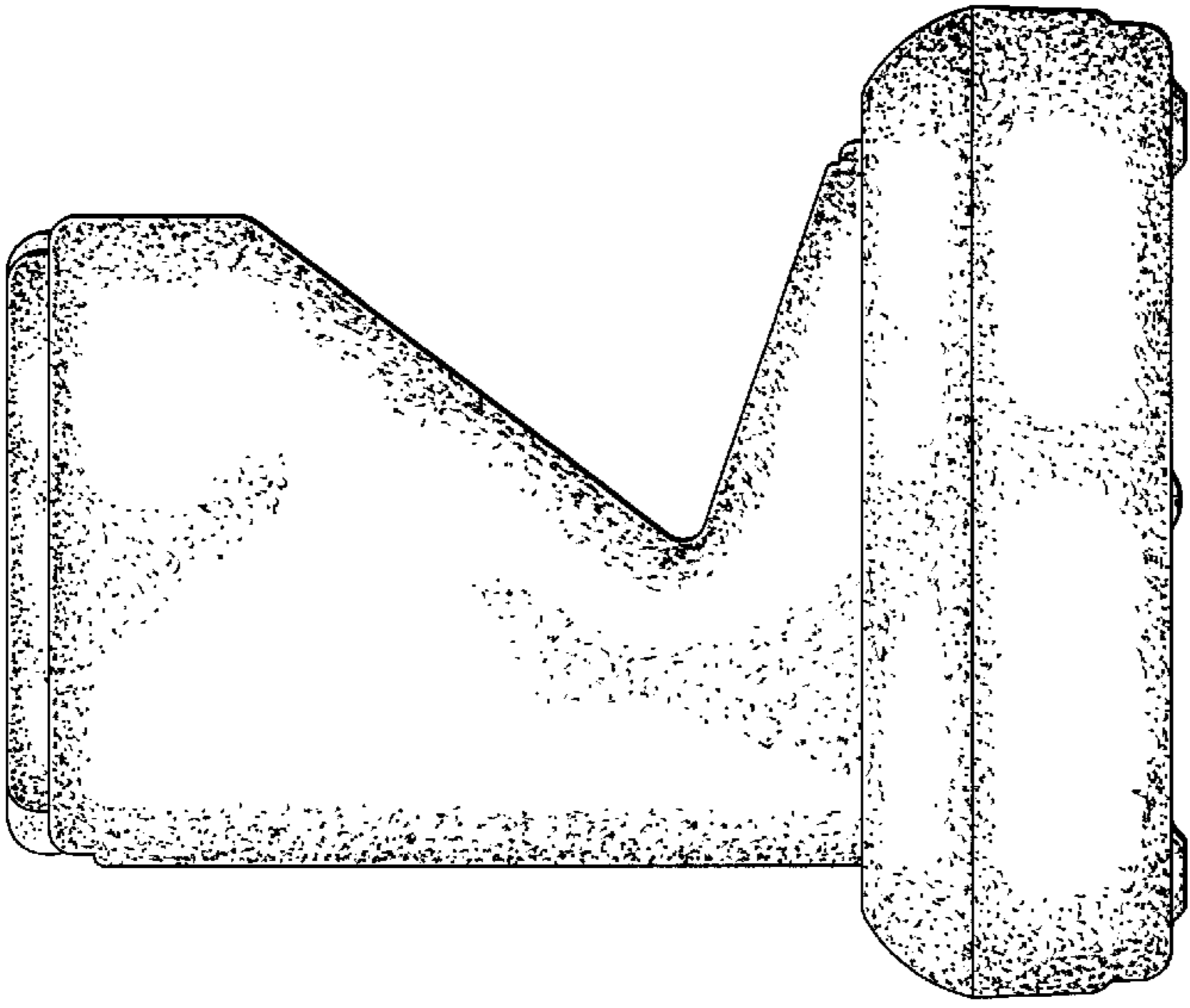


Fig. 3.

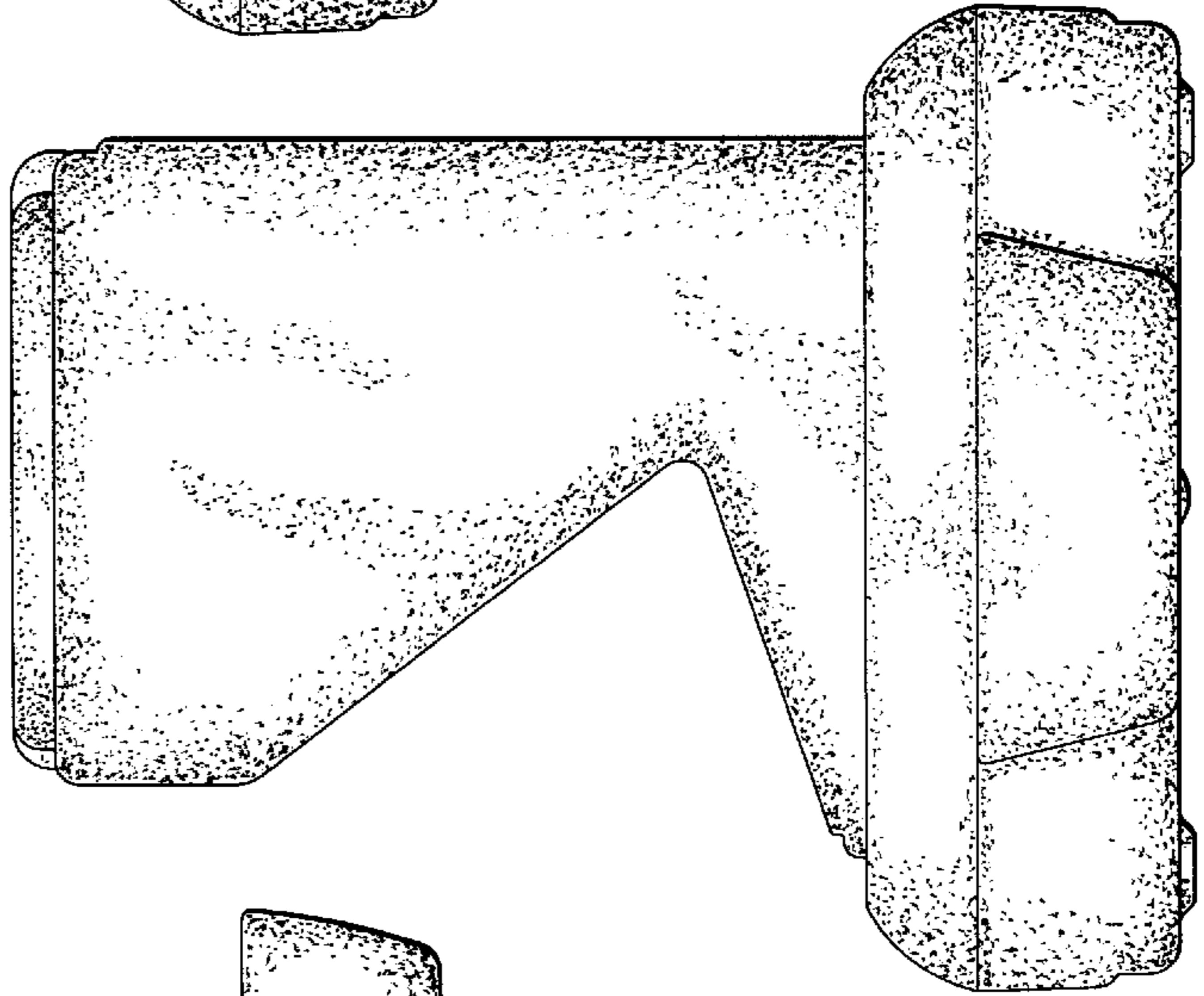


Fig. 2.

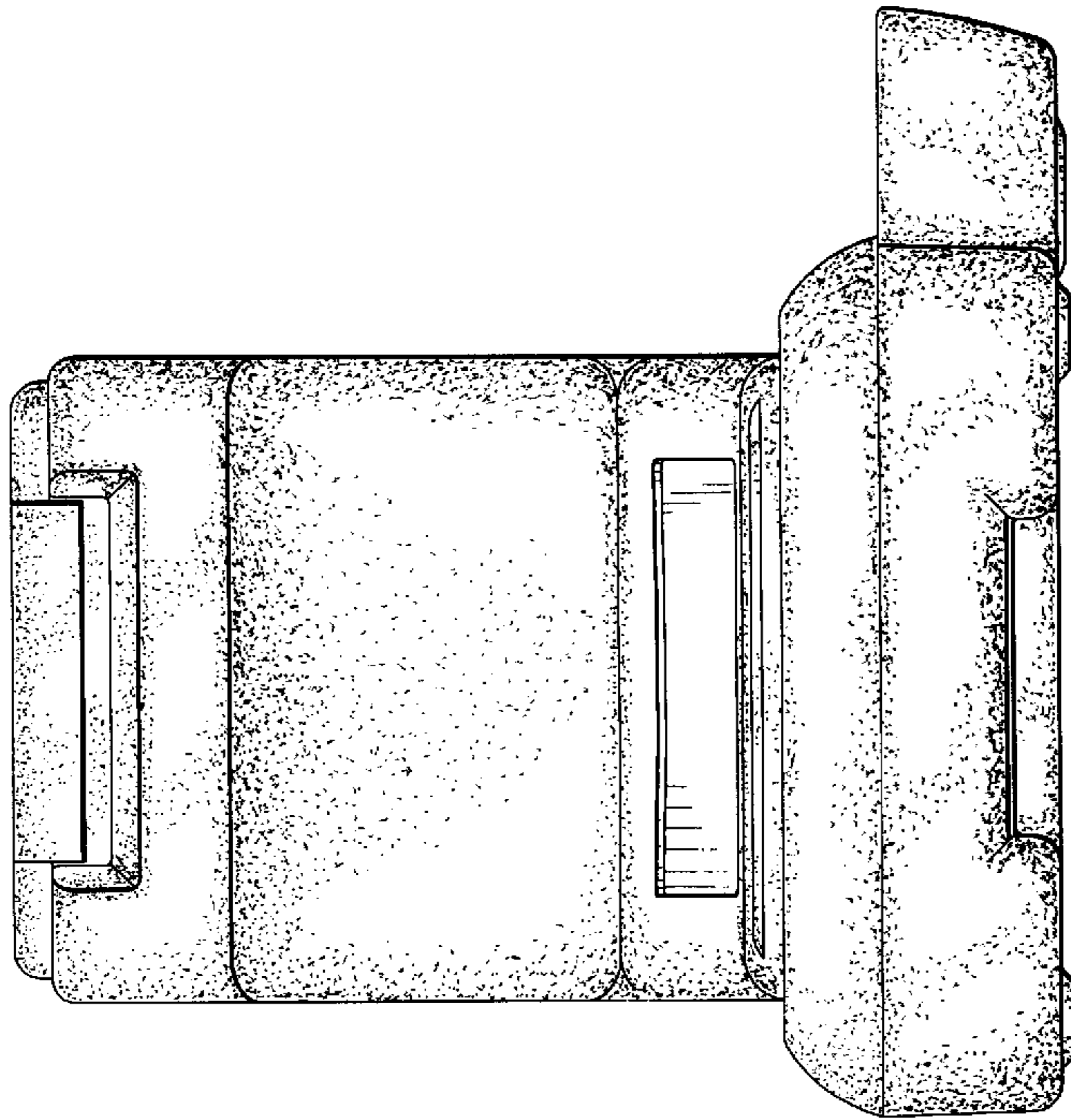


Fig. 1.

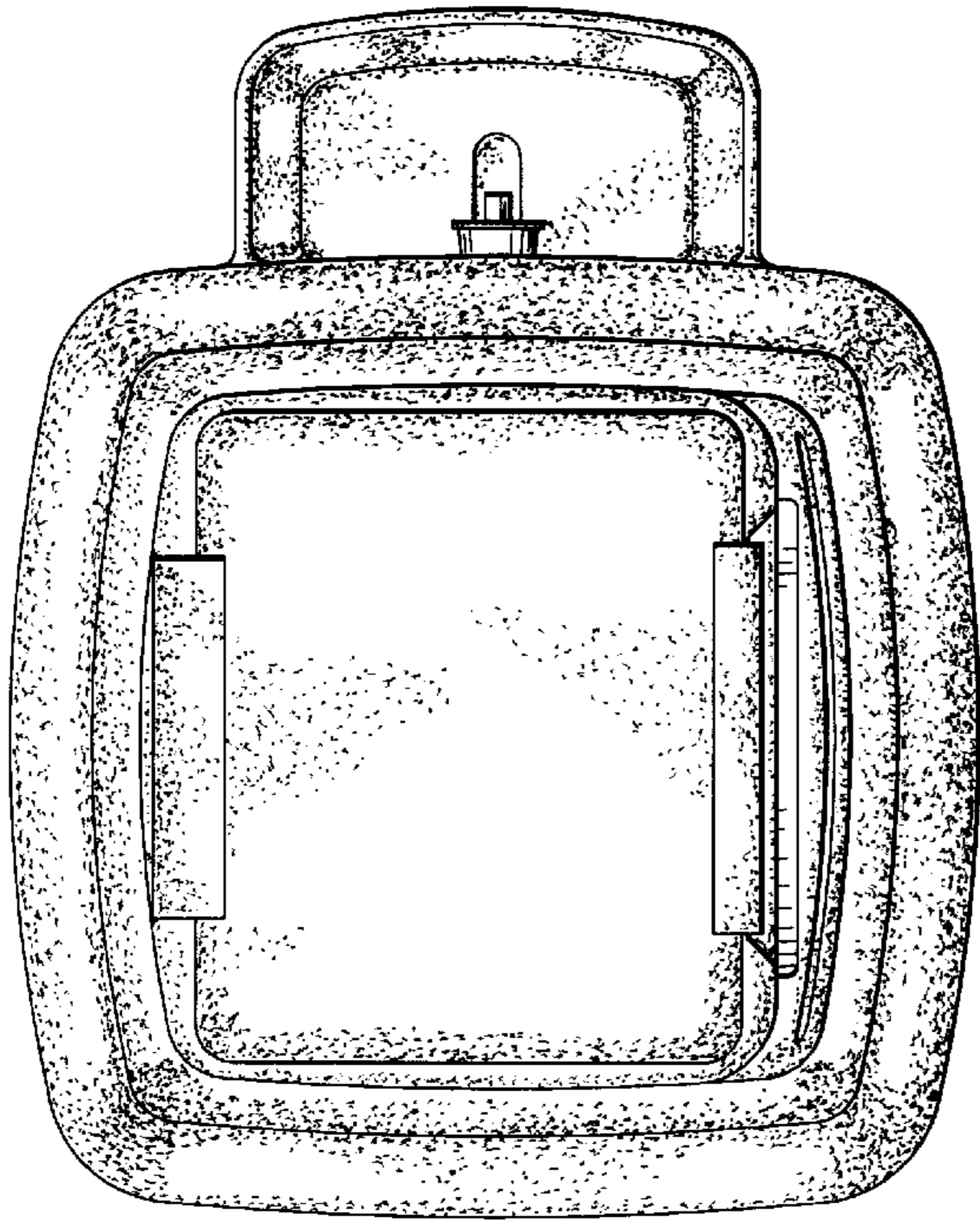


Fig. 5.

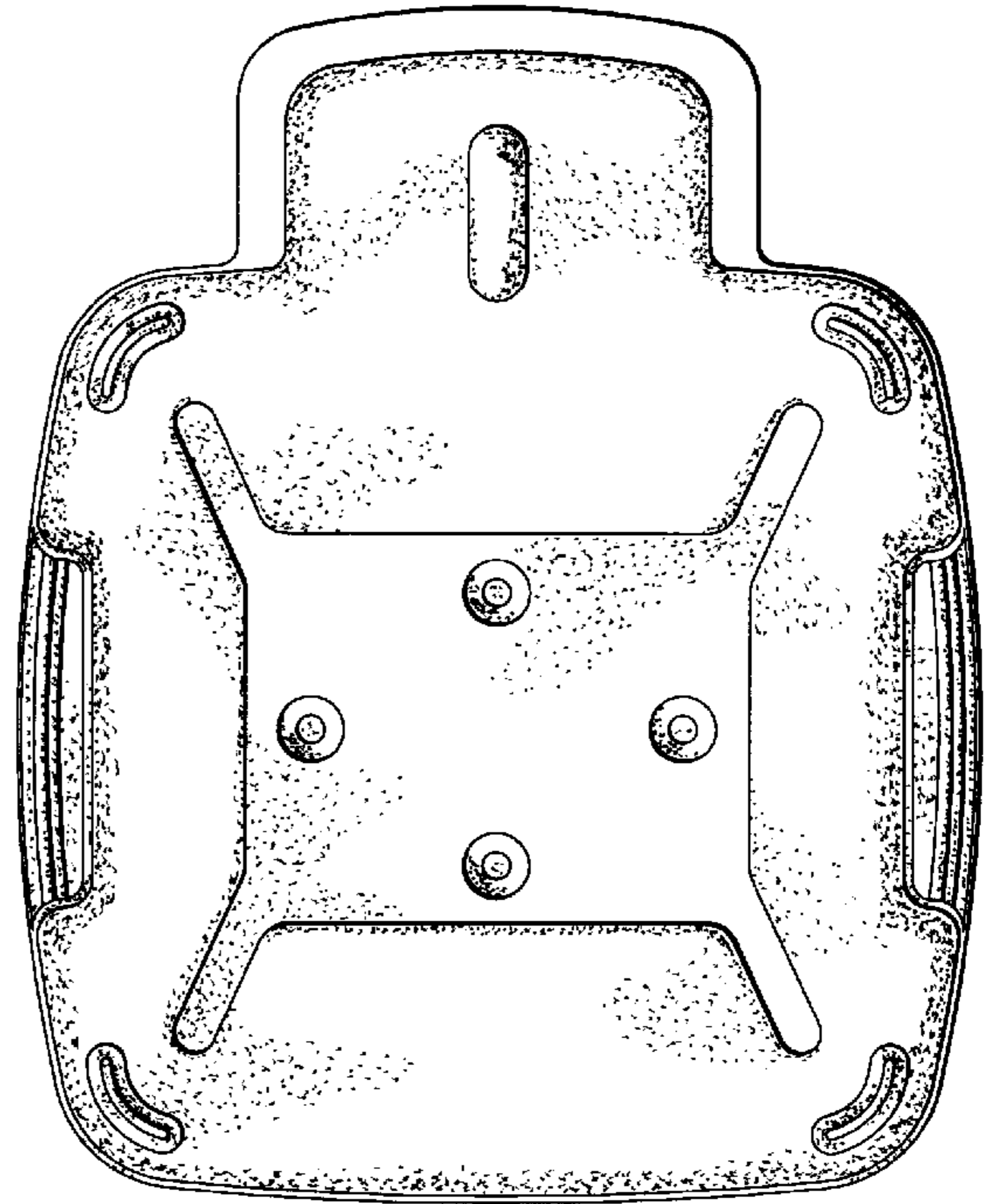


Fig. 6.

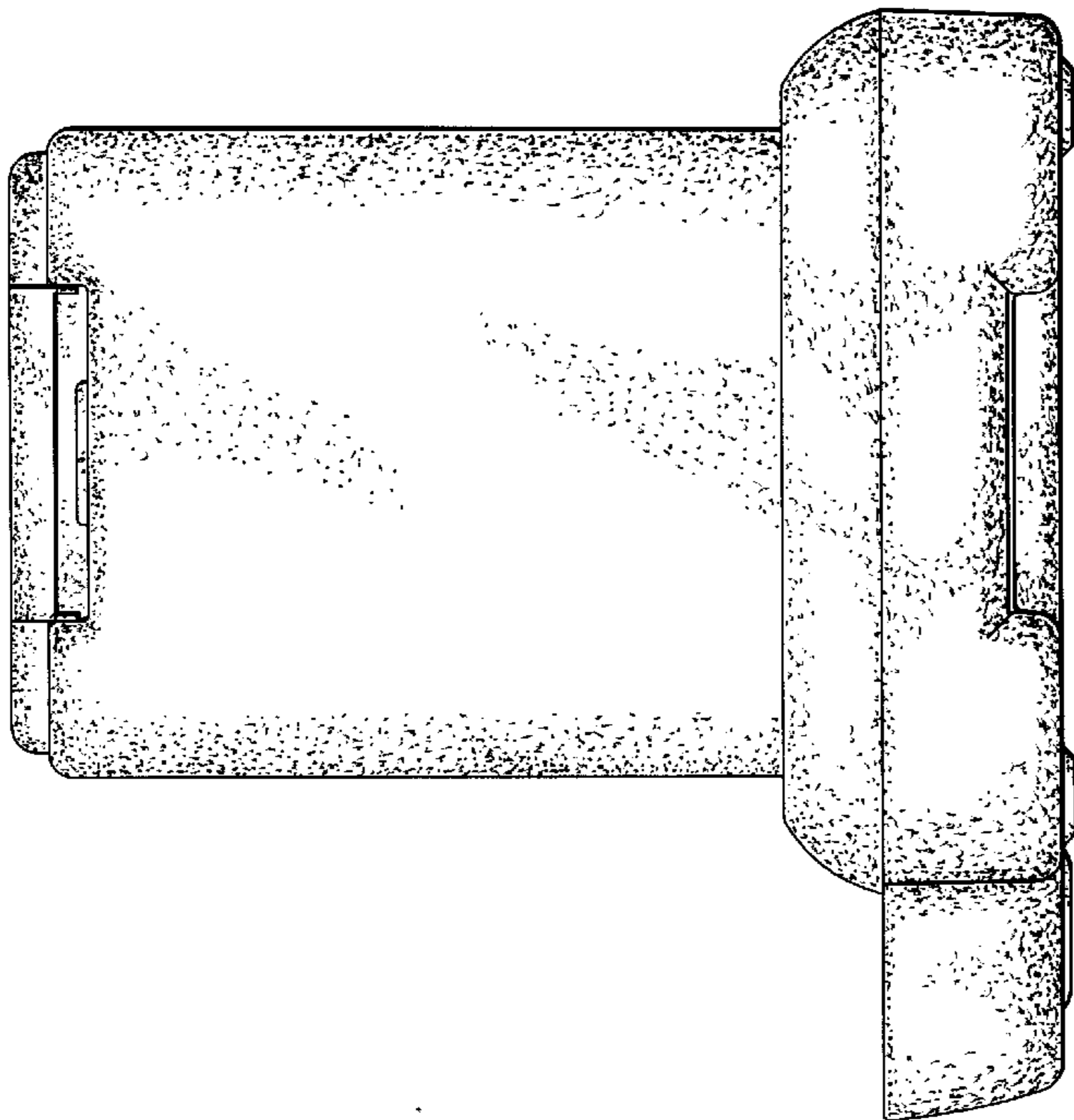


Fig. 4.