



US00D402426S

United States Patent [19]

[11] **Patent Number: Des. 402,426**

Levine et al.

[45] **Date of Patent: **Dec. 8, 1998**

[54] **COMBINED HOUSING FOR A PET LEASH AND FLASHLIGHT**

[75] Inventors: **Anthony Harris Levine**, 22250 Miston Dr., Woodland Hills, Calif. 91364;
Frank Thomas Brown, Redondo Beach, Calif.

[73] Assignee: **Anthony Harris Levine**, Woodland Hills, Calif.

[**] Term: **14 Years**

[21] Appl. No.: **71,548**

[22] Filed: **Jun. 2, 1997**

Related U.S. Application Data

[62] Division of Ser. No. 42,300, Aug. 7, 1995, Pat. No. Des. 379,689.

[51] **LOC (6) Cl.** **30-09**

[52] **U.S. Cl.** **D30/153; 362/109**

[58] **Field of Search** D30/153; 119/794-796; 362/109, 119; D26/37-38, 41, 46

[56] References Cited

U.S. PATENT DOCUMENTS

- D. 235,026 4/1975 Bogdahn D30/153
- D. 351,264 10/1994 Stout D30/153
- D. 376,215 12/1996 Gomm et al. D30/153

- 2,314,504 3/1943 Lifchultz 119/796
- 3,853,283 12/1974 Croce et al. 119/796
- 5,377,626 1/1995 Kilsby et al. 119/796
- 5,429,075 7/1995 Passarella et al. 119/795
- 5,441,017 8/1995 Lindsay 119/795
- 5,558,044 9/1996 Nasser, Jr. et al. 119/796

FOREIGN PATENT DOCUMENTS

- 96445 11/1983 European Pat. Off. 119/796
- 8201744 11/1982 Netherlands 119/796

Primary Examiner—Cathy Anne MacCormac
Attorney, Agent, or Firm—Lewis Anten, Esq.; Amedeo Ferraro, Esq.

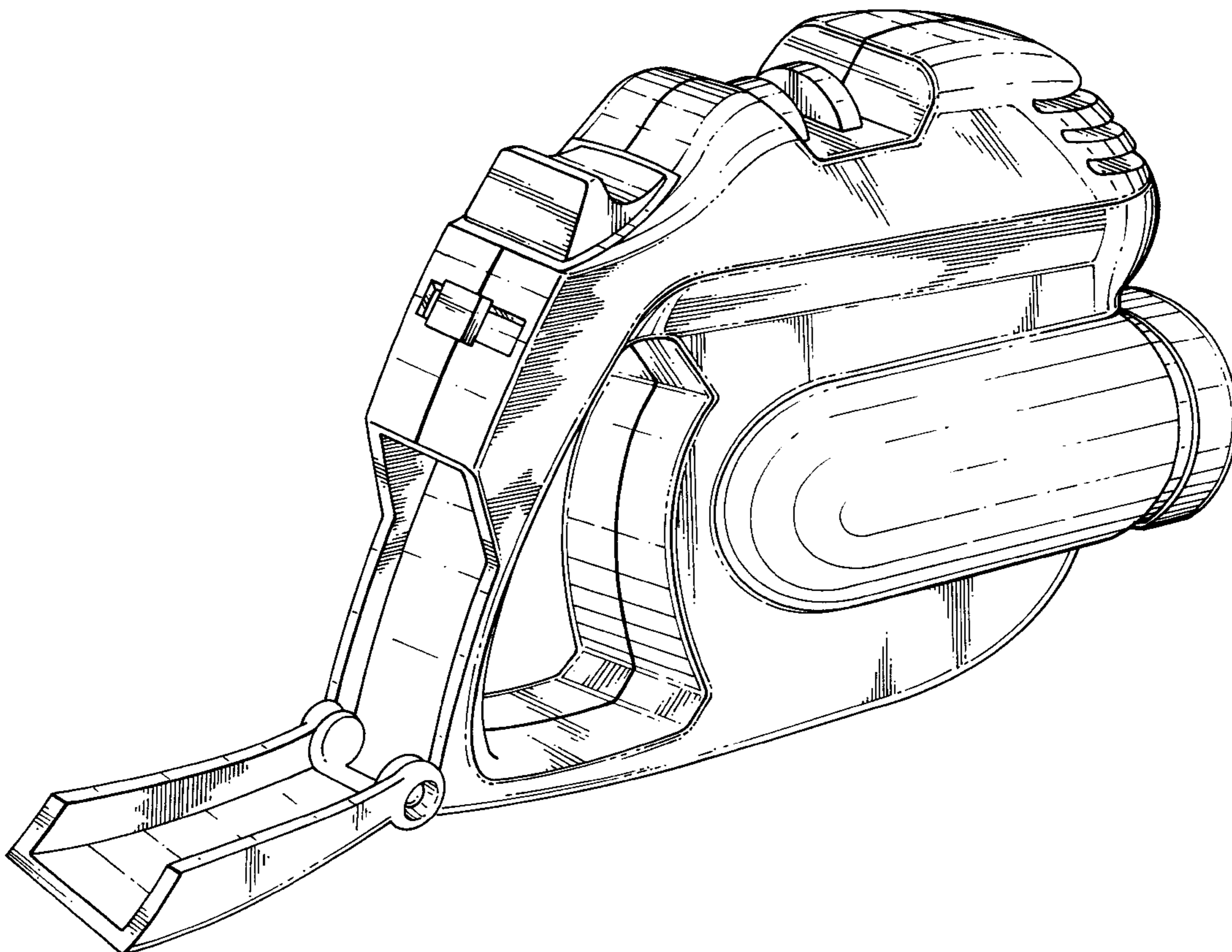
[57] CLAIM

The ornamental design for a combined housing for a pet leash and flashlight, as shown.

DESCRIPTION

FIG. 1 is a left side perspective view of a combined housing for a pet leash and flashlight showing our new design with the door shown in open position;
 FIG. 2 is a left side elevational view thereof showing the door in closed position;
 FIG. 3 is a right side elevational view thereof;
 FIG. 4 is a front view thereof;
 FIG. 5 is a rear view thereof;
 FIG. 6 is a top plan view thereof; and,
 FIG. 7 is a bottom plan view thereof.

1 Claim, 5 Drawing Sheets



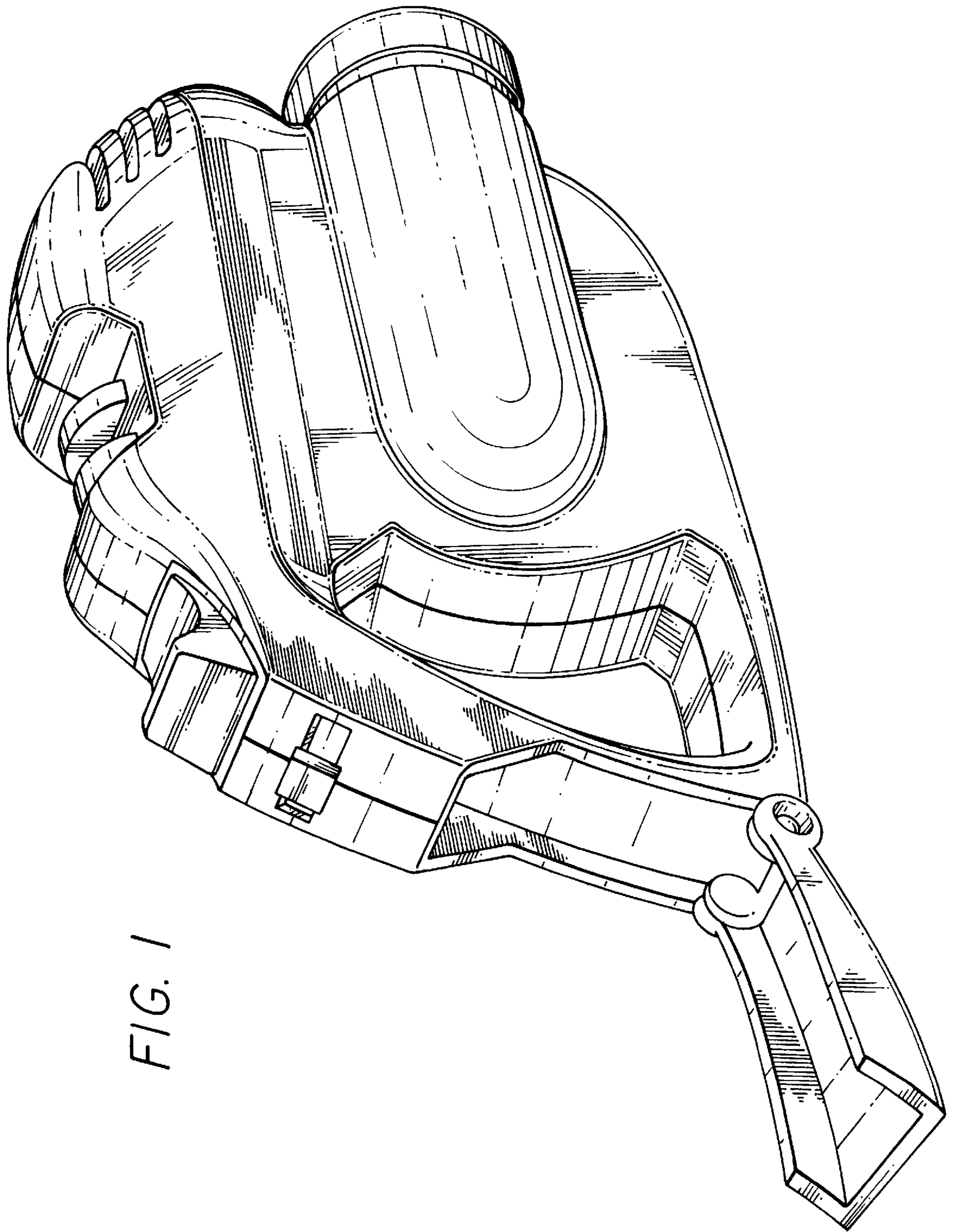


FIG. 1

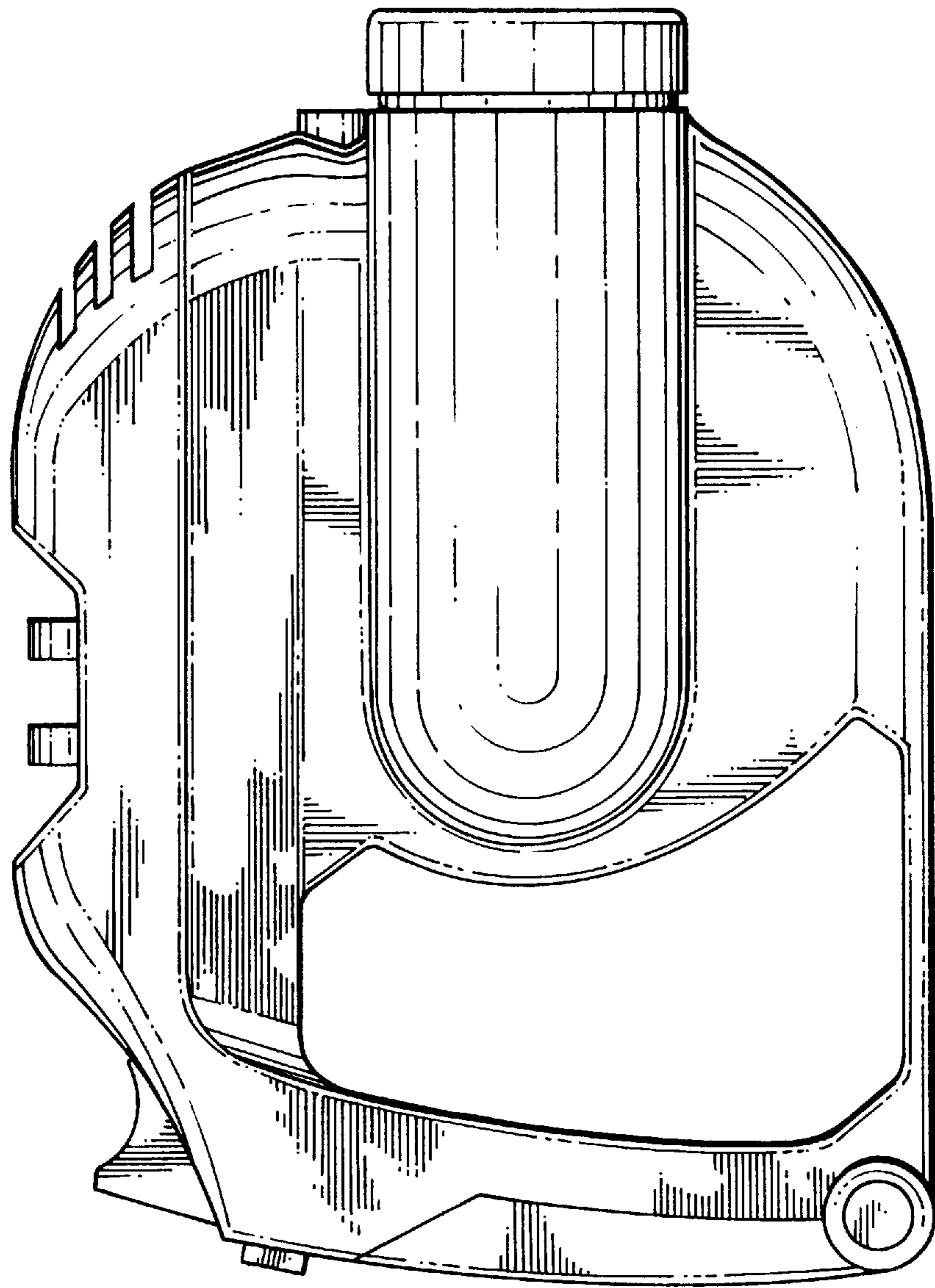
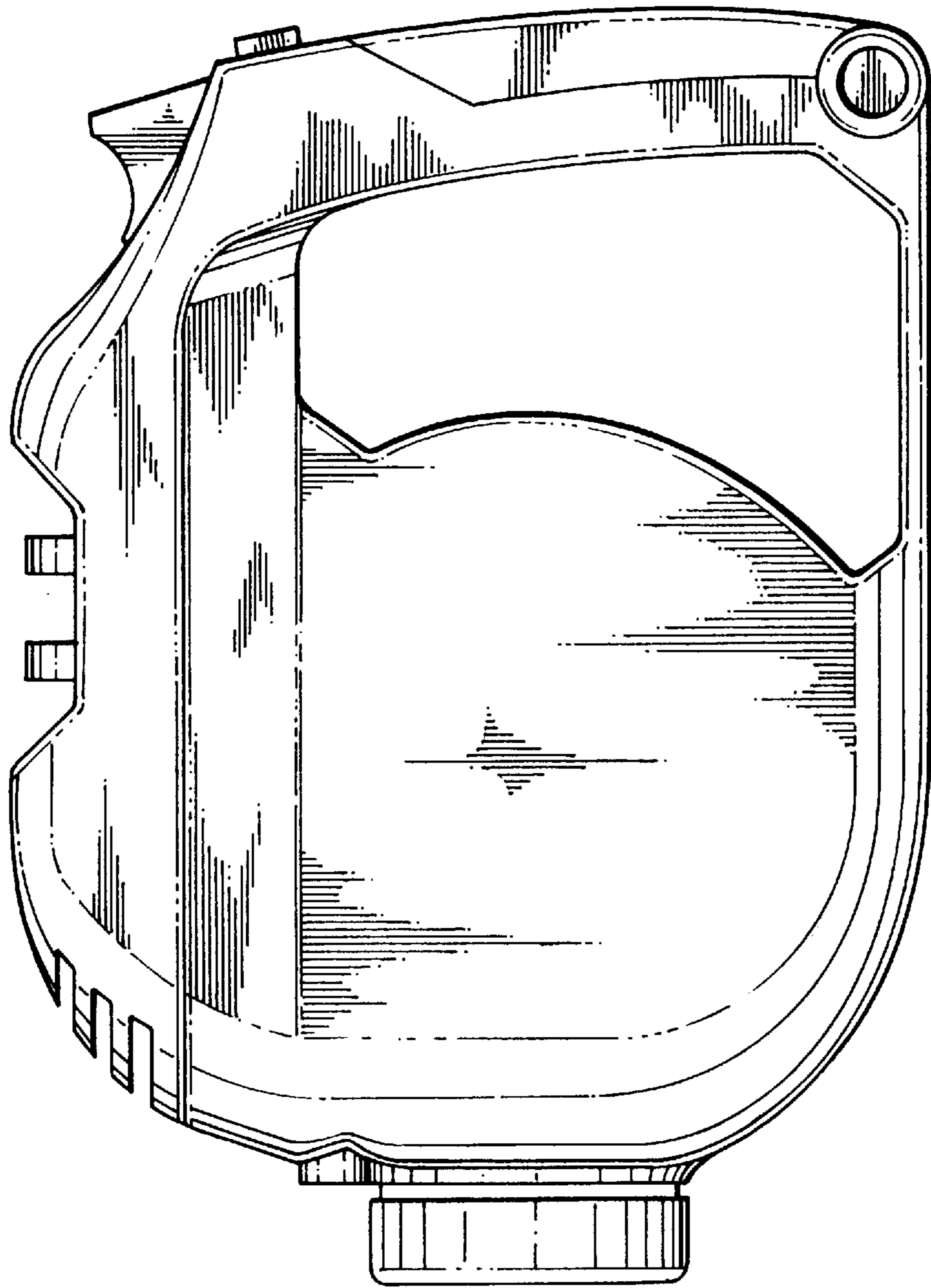


FIG. 2

FIG. 3



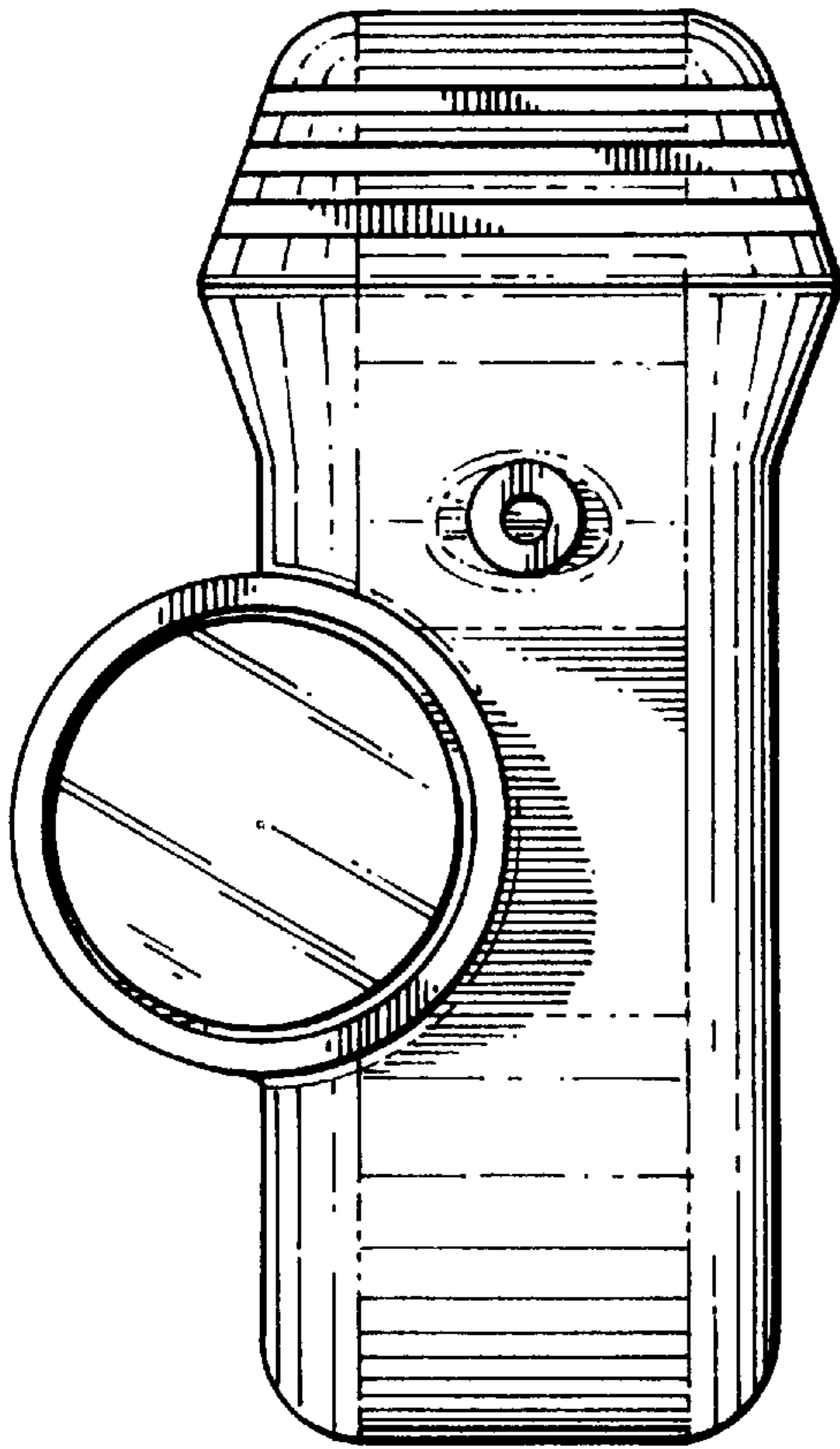


FIG. 4

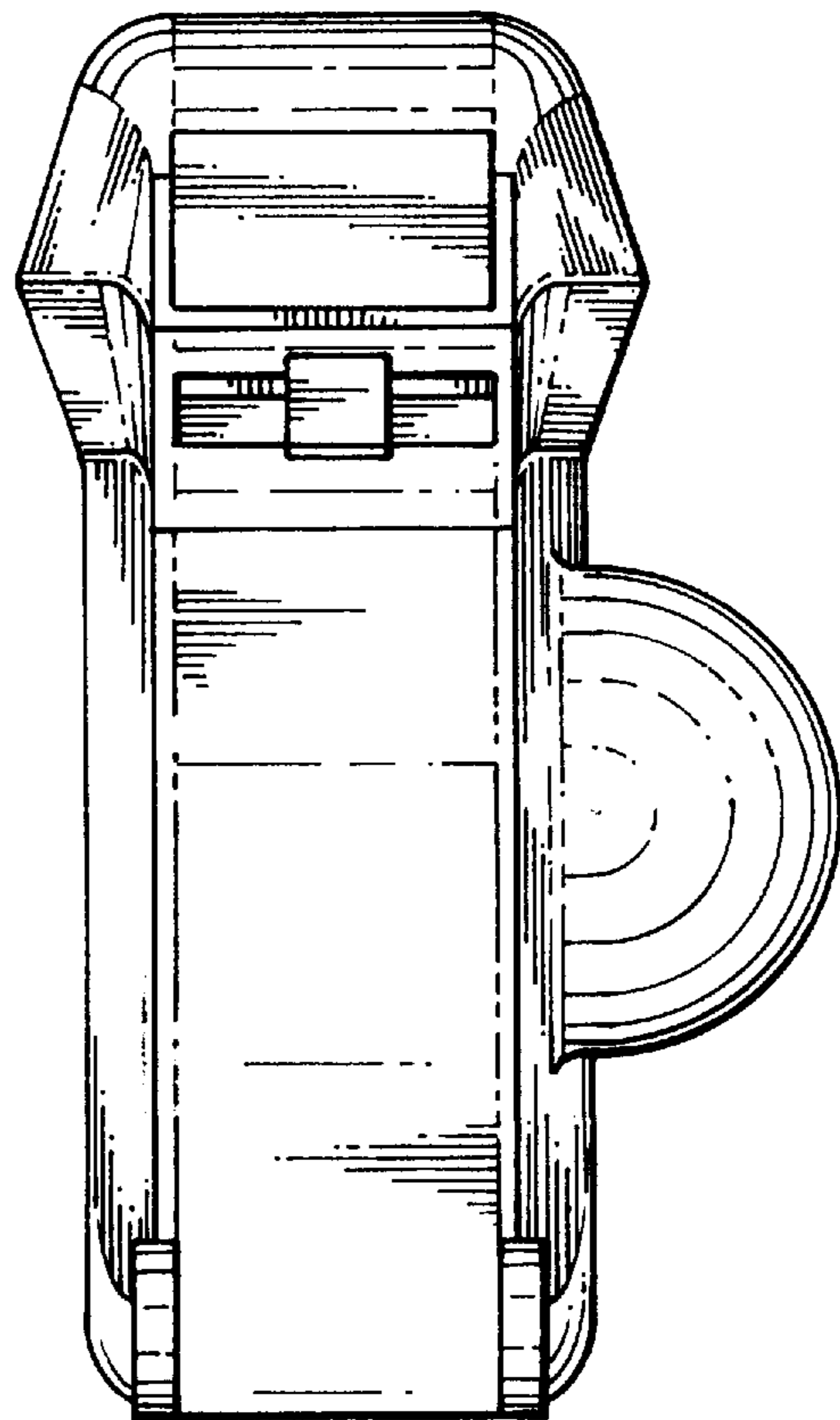


FIG. 5

FIG. 6

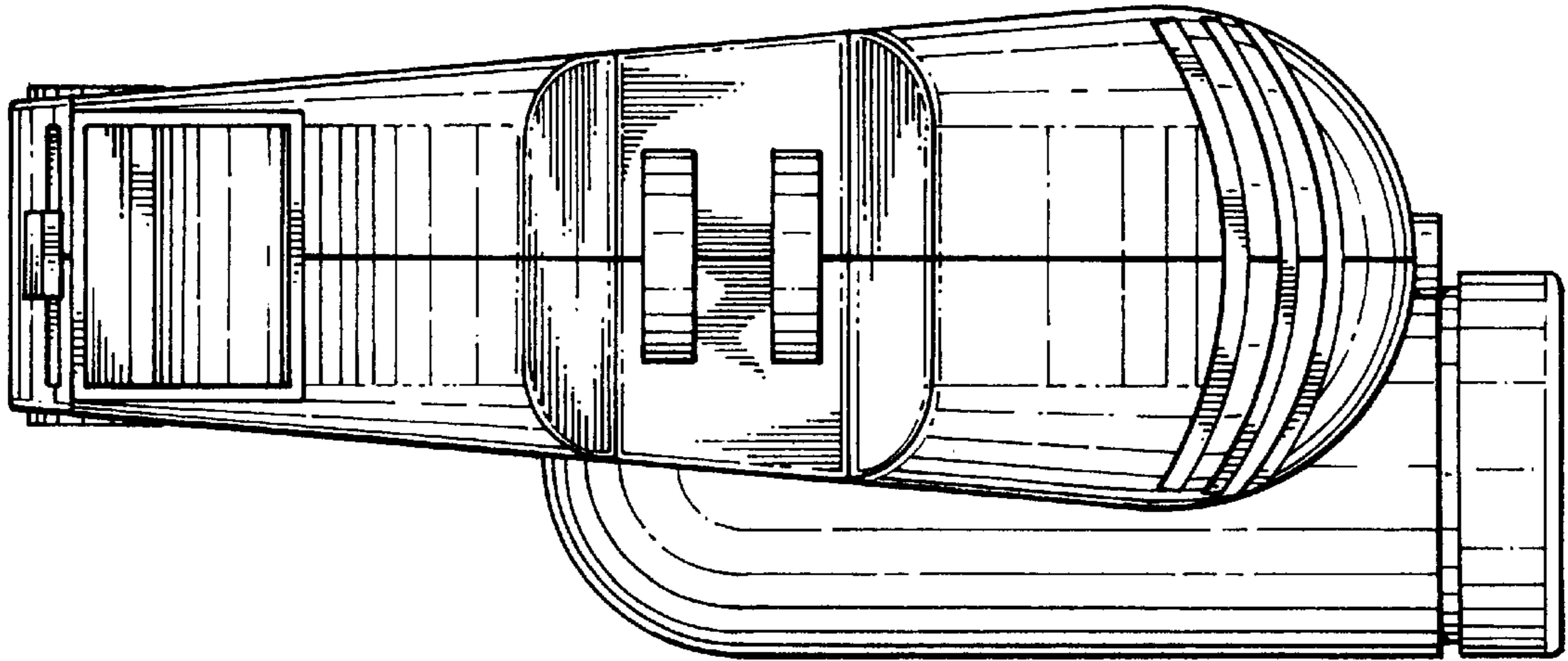


FIG. 7

