



US00D402425S

United States Patent [19]

Lacz et al.

[11] **Patent Number: Des. 402,425**

[45] **Date of Patent: **Dec. 8, 1998**

[54] **COMBINED MOATED PET FOOD DISH AND WATER DISPENSER**

[76] Inventors: **Mary Louise Lacz**, 1350 SW. 71 Ave., Plantation, Fla. 33317; **John T. Lacz**, 2840 Somerset Dr. #418M, Ft Lauderdale, Fla. 33311

[**] Term: **14 Years**

[21] Appl. No.: **54,385**

[22] Filed: **May 13, 1996**

[51] **LOC (6) Cl. 30-07**

[52] **U.S. Cl. D30/121; D30/132**

[58] **Field of Search D30/121, 122, D30/129, 130, 132; 119/51.5, 61**

[56] **References Cited**

U.S. PATENT DOCUMENTS

D. 294,531	3/1988	Neunzig	D30/130
D. 296,371	6/1988	Lorenzana et al.	D30/130
D. 335,197	4/1993	Strickland	D30/132
D. 365,668	12/1995	Lorenzana et al.	D30/130
5,277,149	1/1994	East	119/51.5

OTHER PUBLICATIONS

Starcrest of California, Advertisement for "Automatic Pet Feeder", May 1986.

Primary Examiner—Cathy Anne MacCormac

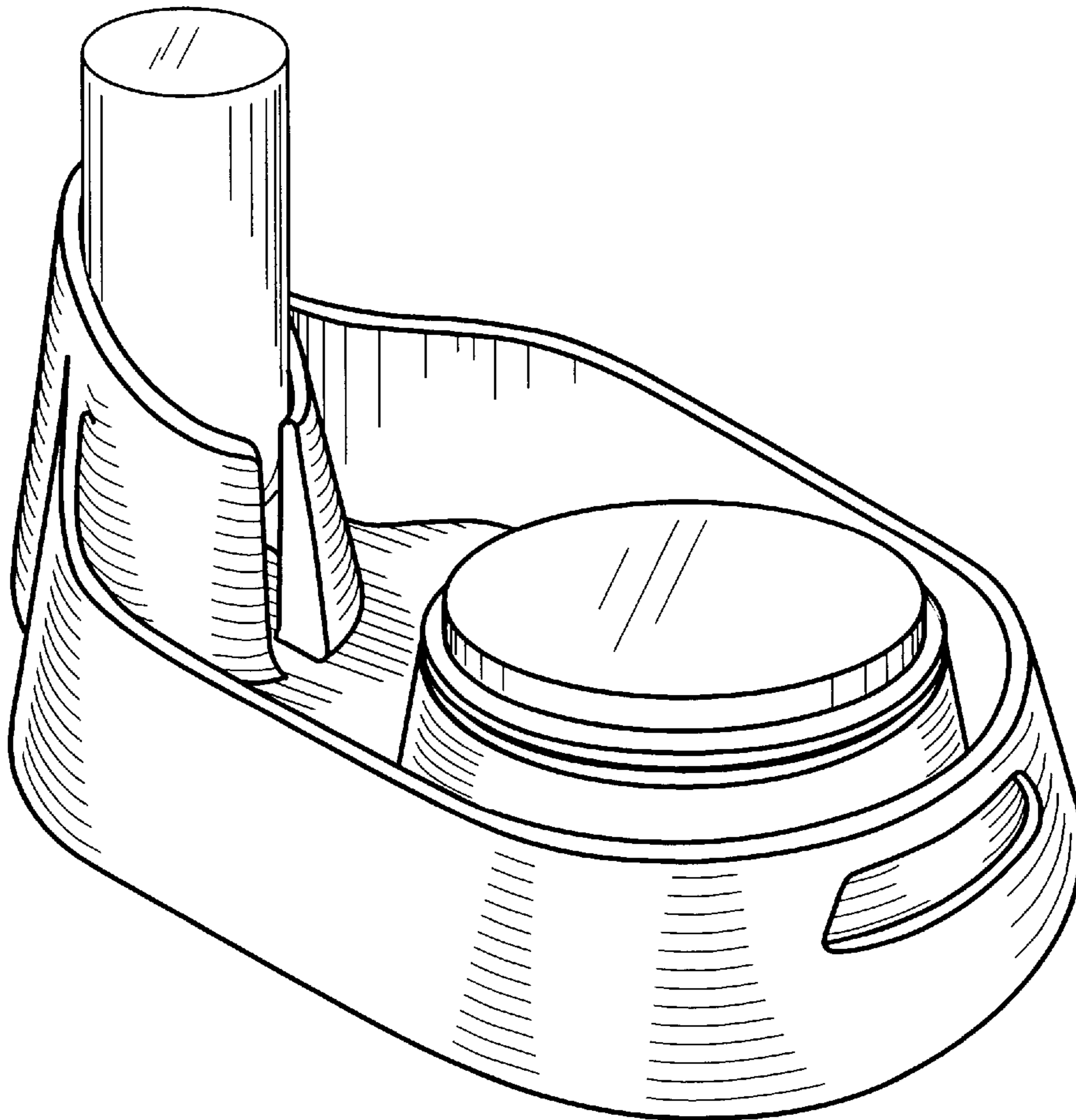
[57] **CLAIM**

The ornamental design for "combined moated pet food dish and water dispenser", as shown and described.

DESCRIPTION

FIG. 1 is a top perspective view of a combined moated pet food dish and water dispenser showing our new design; FIG. 2 is a side elevational view thereof; FIG. 3 is a top plan view thereof; FIG. 4 is a front elevational view thereof; FIG. 5 is an exploded perspective view thereof; FIG. 6 is an exploded side elevational view thereof; FIG. 7 is a top plan view with the bowl and bottle removed; FIG. 8 front elevational view of FIG. 7; FIG. 9 is a rear elevational view of FIG. 7; and, FIG. 10 is a sectional view taken along line 10—10 of FIG. 7.

1 Claim, 9 Drawing Sheets



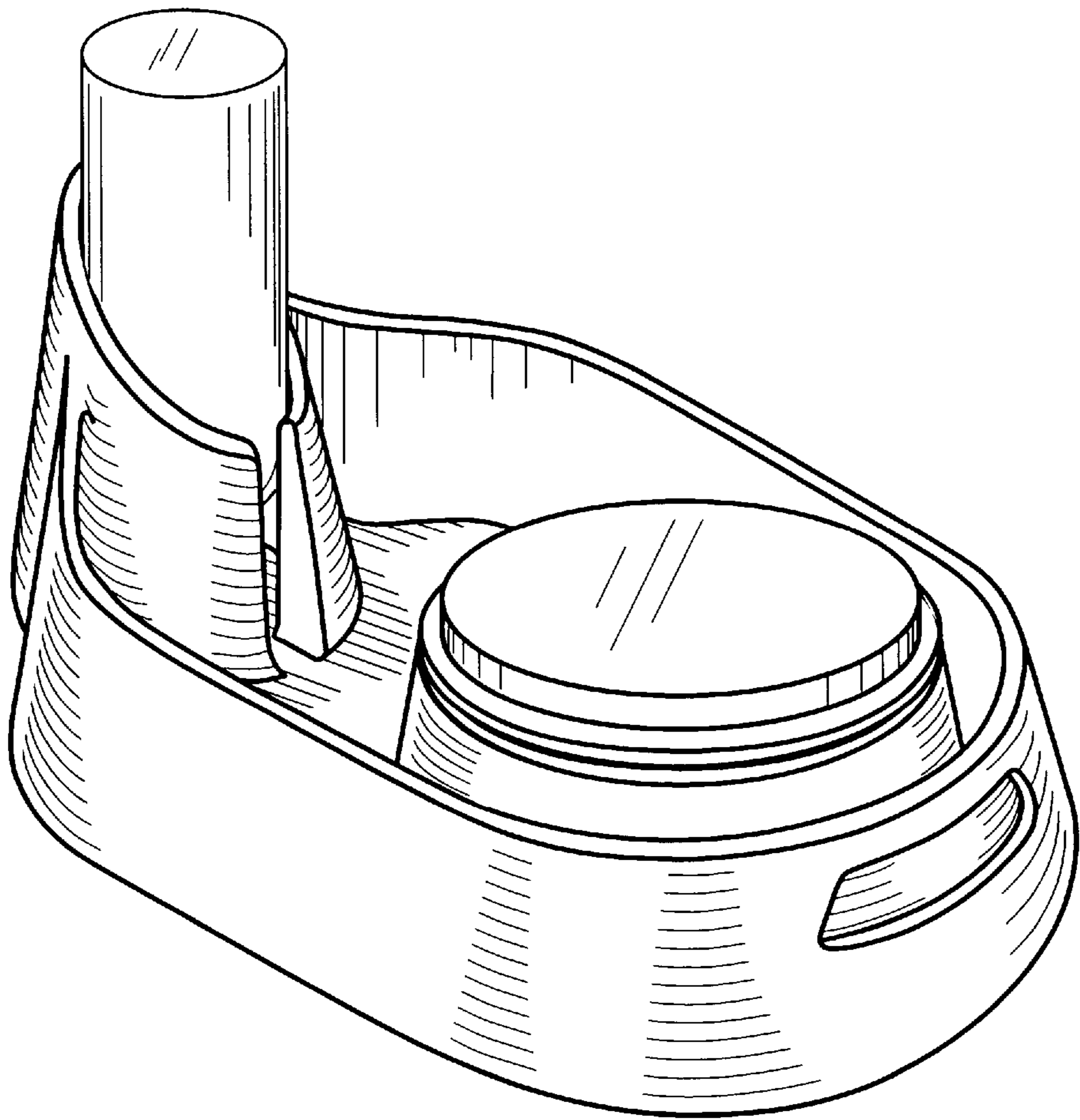


FIG. 1

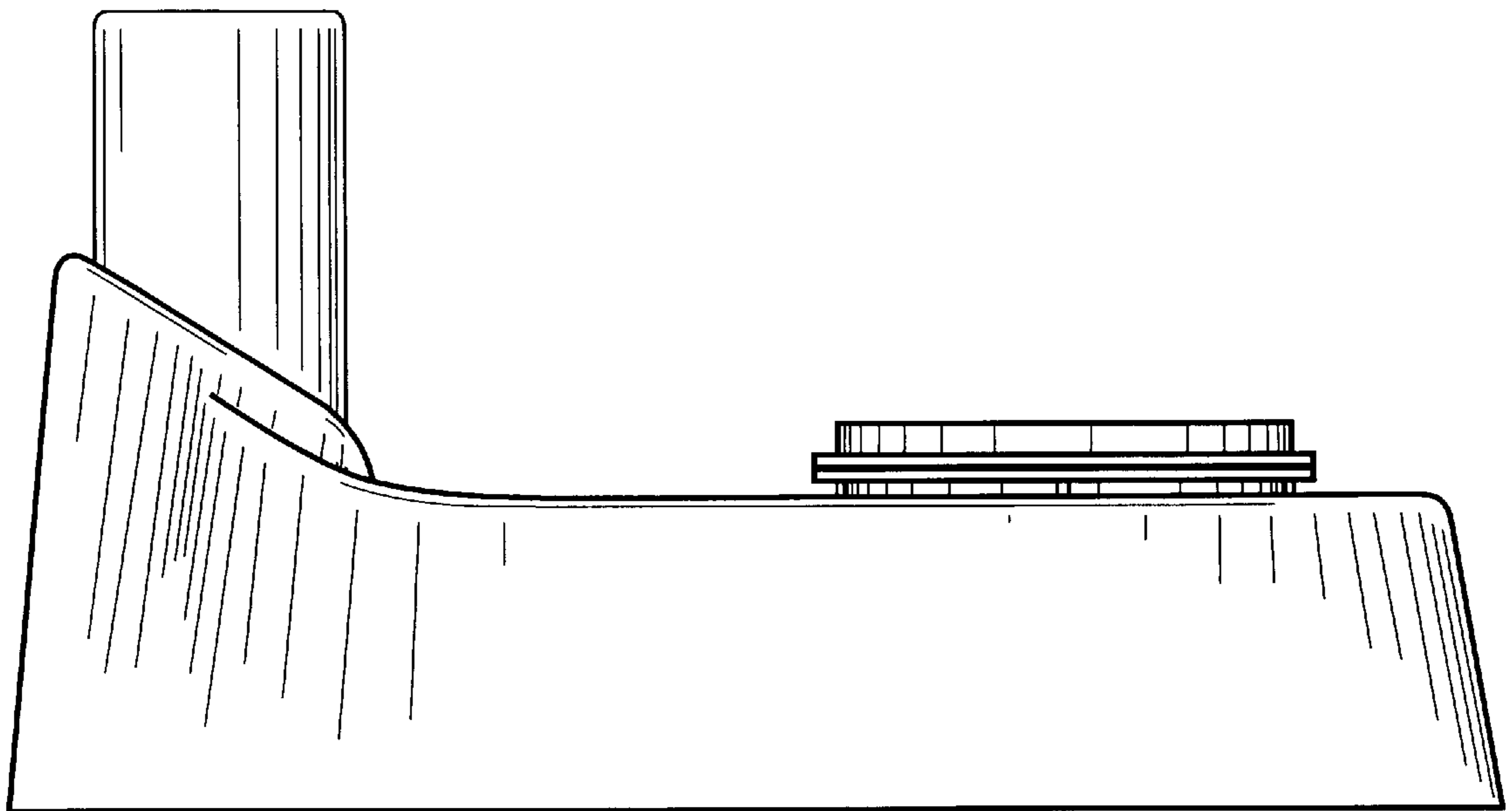


FIG. 2

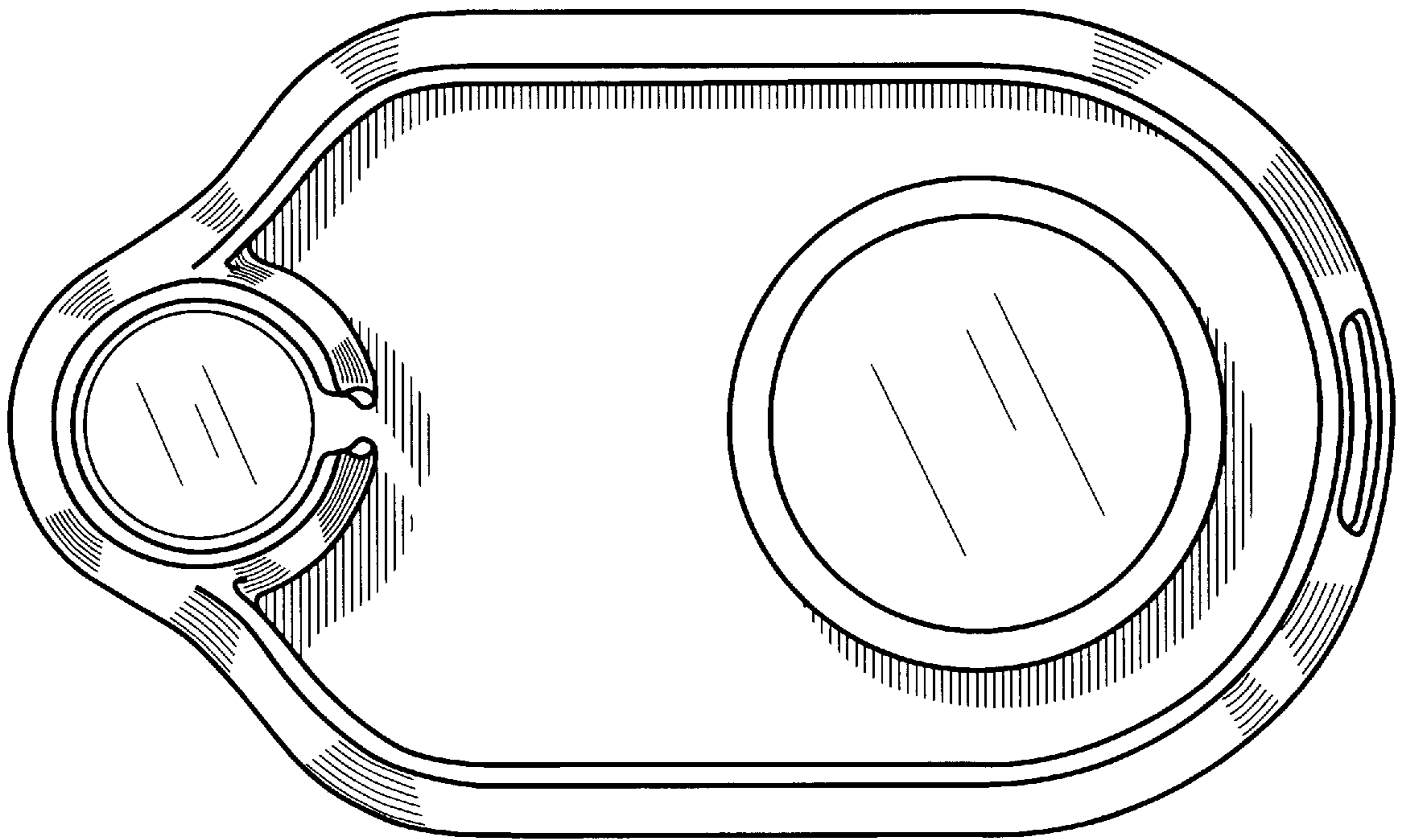


FIG. 3

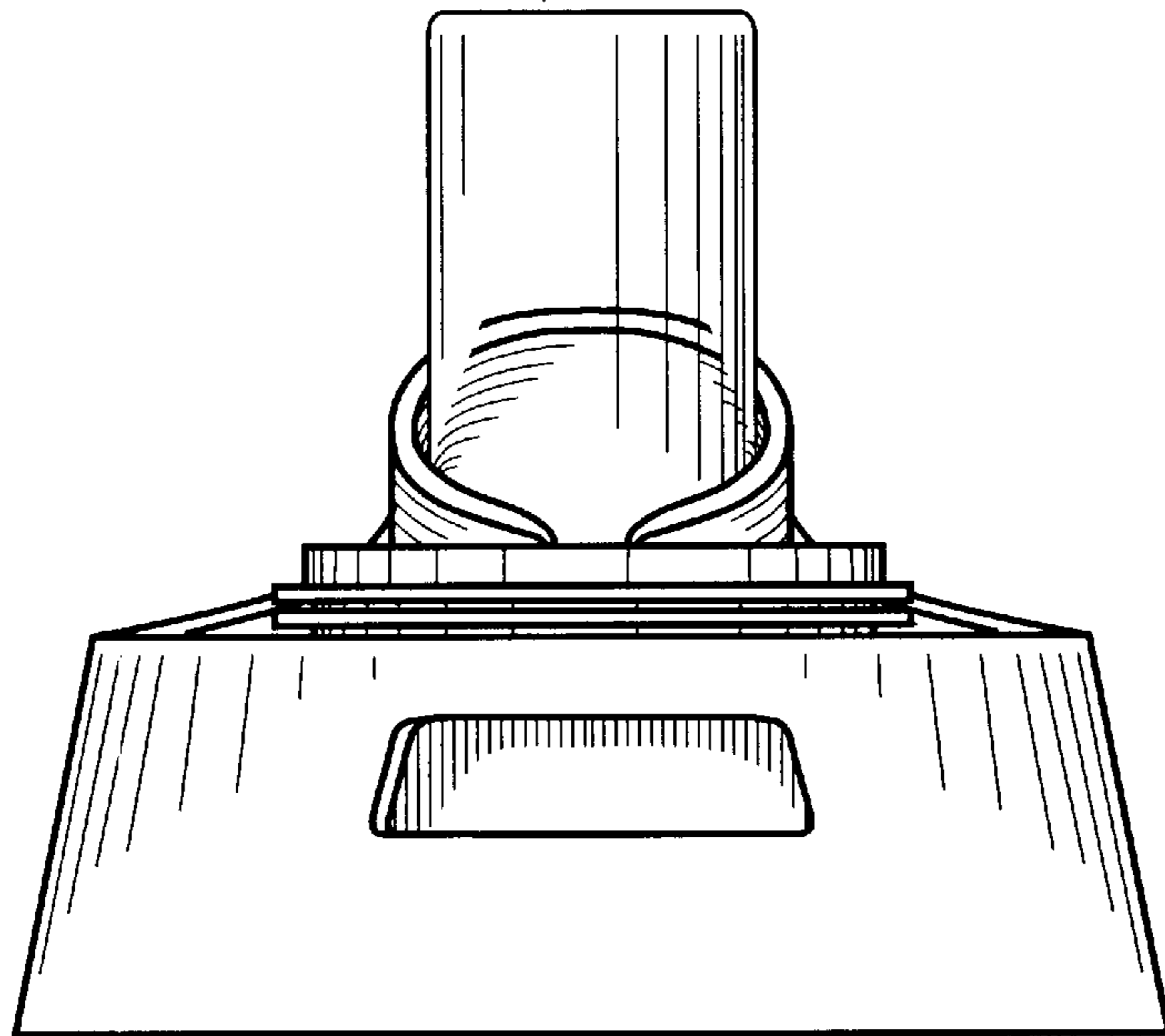


FIG. 4

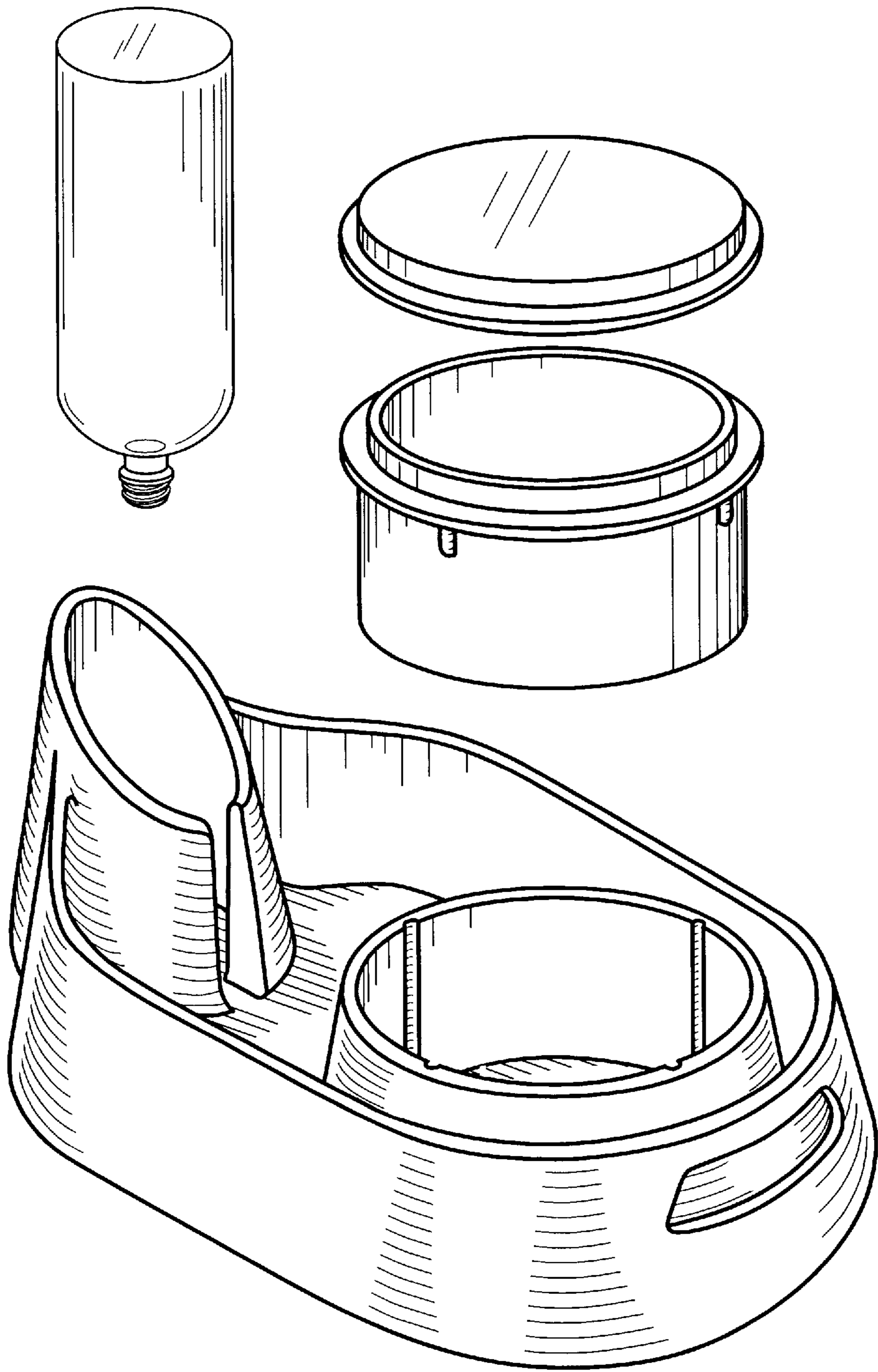


FIG. 5

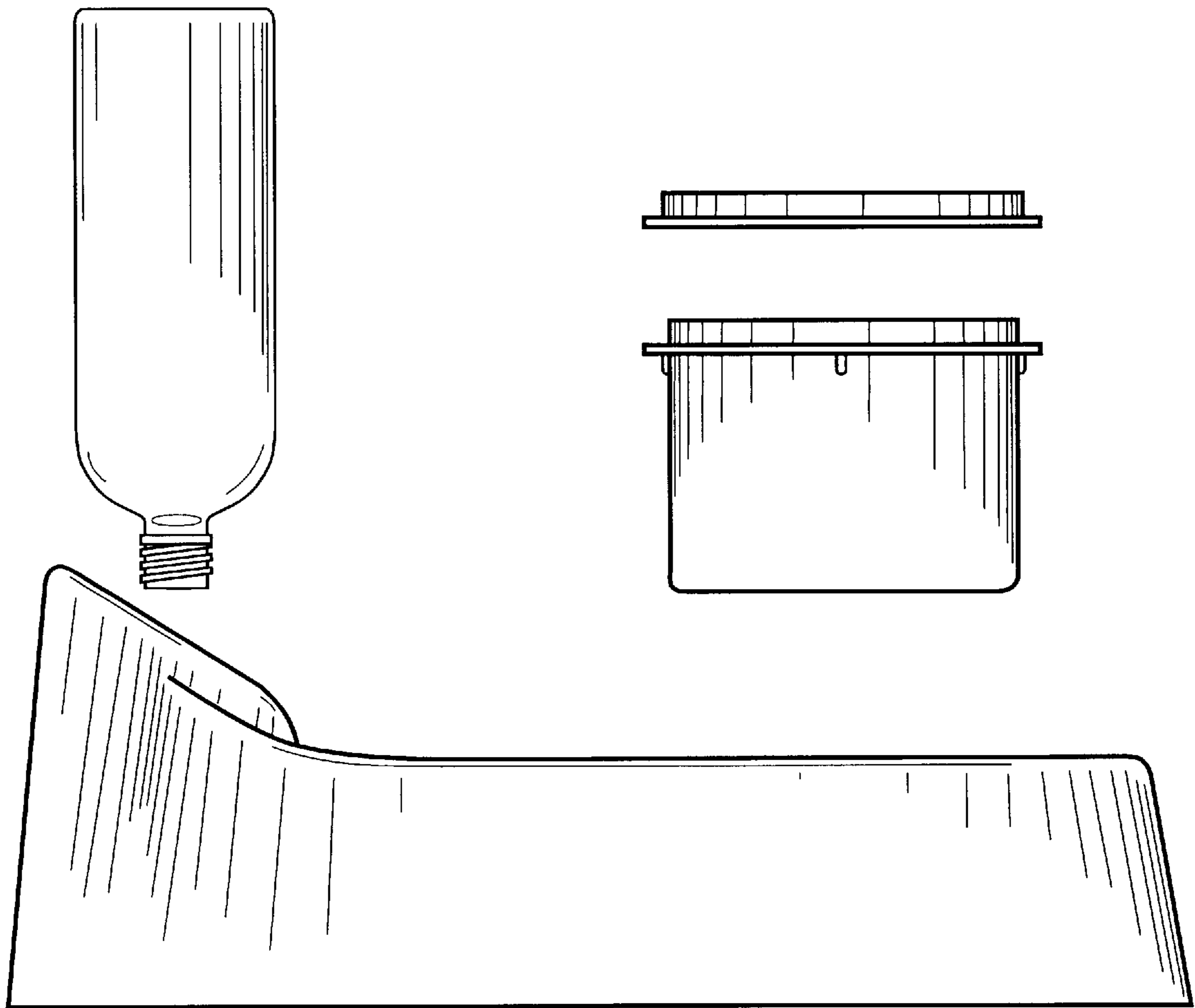


FIG. 6

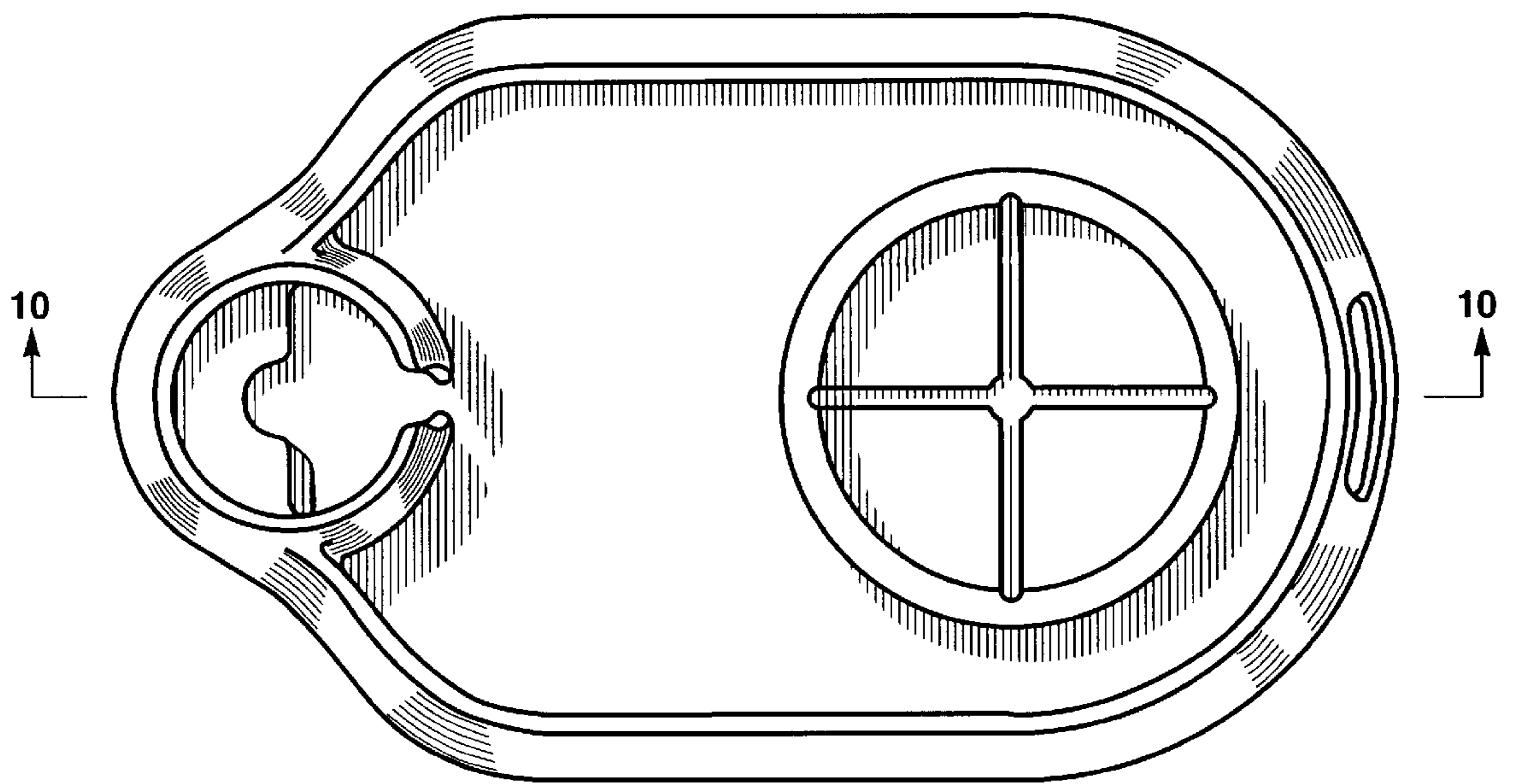


FIG. 7

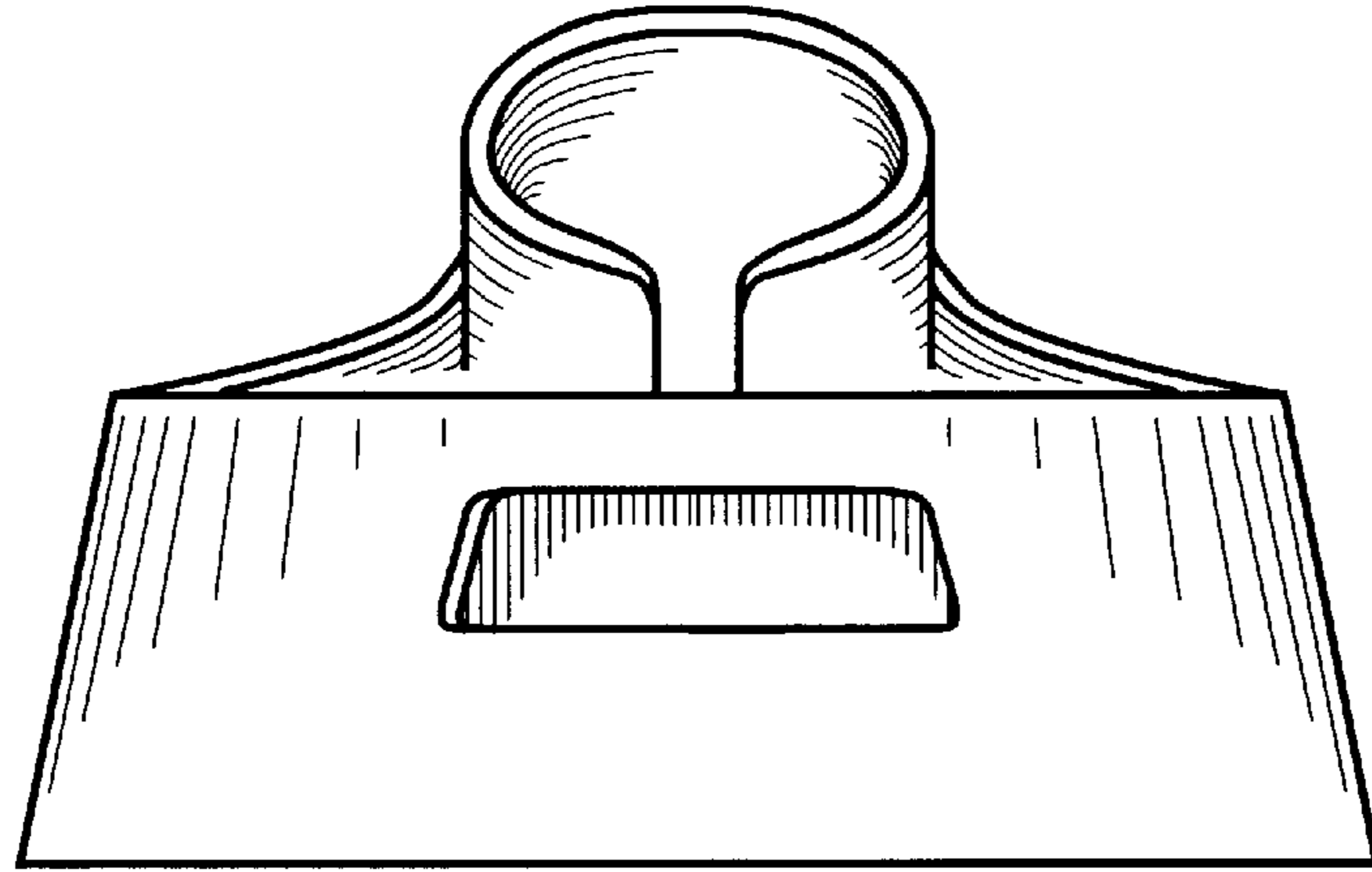


FIG. 8

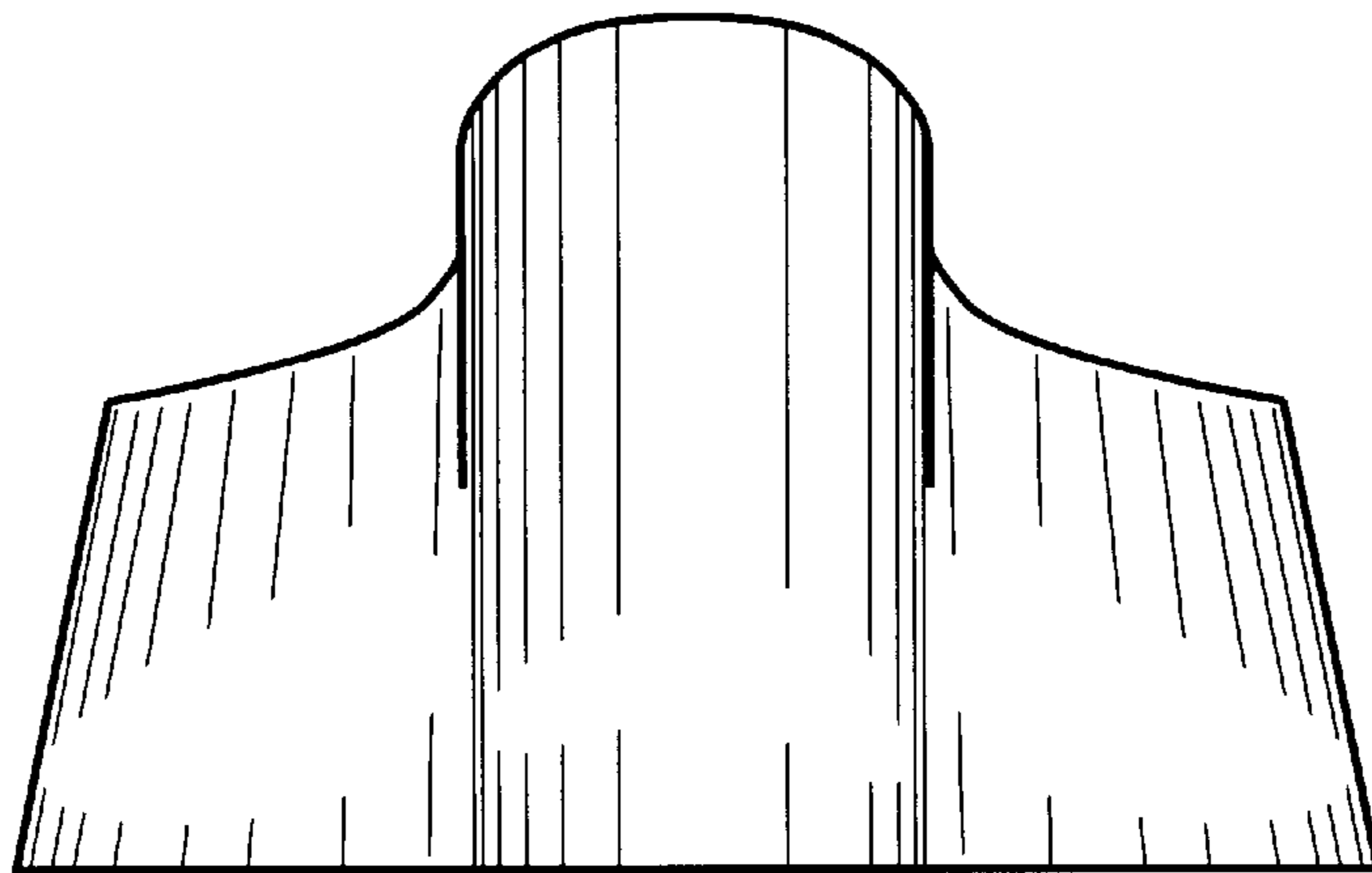


FIG. 9

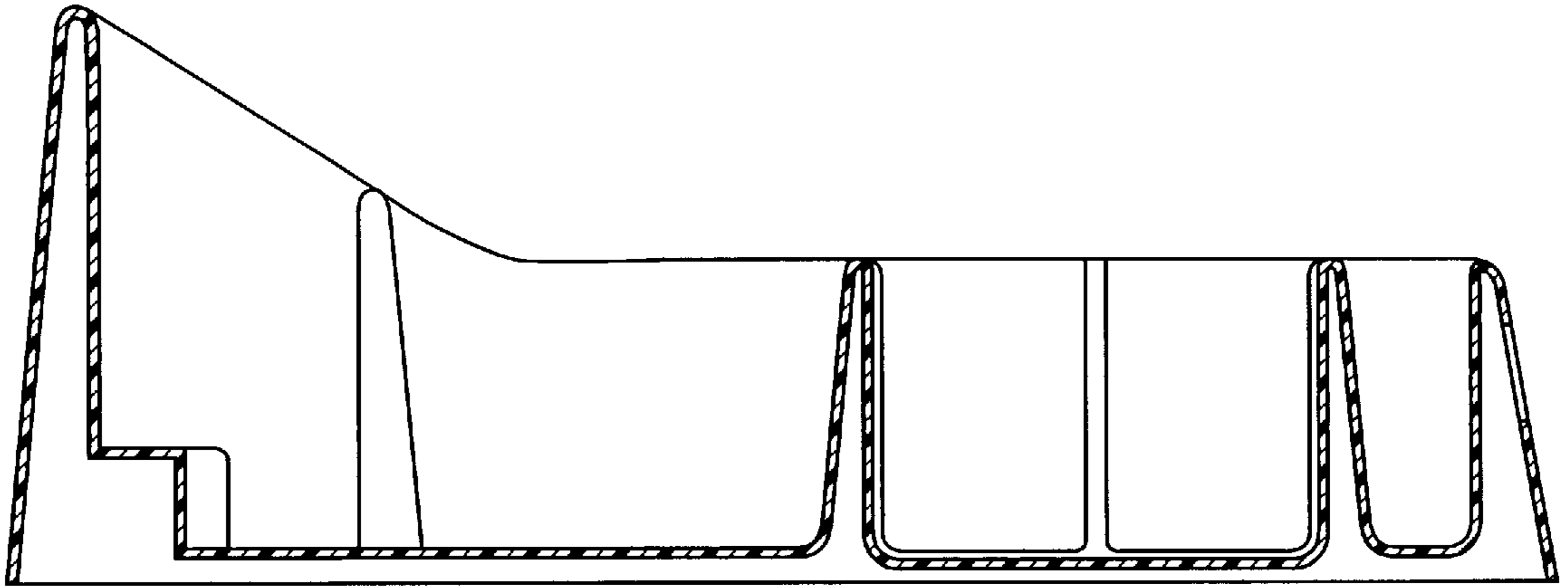


FIG.10