



US00D402412S

# United States Patent [19] Thorpe

[11] **Patent Number:** **Des. 402,412**

[45] **Date of Patent:** **\*\*Dec. 8, 1998**

[54] **MAKE-UP COMPACT CASE**

[75] **Inventor:** **Richard Christopher Martin Thorpe,**  
Kent, England

[73] **Assignee:** **Tinchant Thorpe Limited,** Kent,  
England

[\*\*] **Term:** **14 Years**

[21] **Appl. No.:** **60,844**

[22] **Filed:** **Oct. 8, 1996**

[30] **Foreign Application Priority Data**

Apr. 9, 1996	[GB]	United Kingdom	.....	2055398
Apr. 9, 1996	[GB]	United Kingdom	.....	2055399
Apr. 9, 1996	[GB]	United Kingdom	.....	2055400

[51] **LOC (6) Cl.** ..... **28-03**

[52] **U.S. Cl.** ..... **D28/82**

[58] **Field of Search** ..... D28/76-84; 132/293-307;  
206/235, 581, 823; 220/DIG. 26

[56] **References Cited**

**U.S. PATENT DOCUMENTS**

D. 153,938	5/1949	Graham	.....	D28/77
D. 314,449	2/1991	Bakic	.....	D28/82
D. 344,817	3/1994	Chen	.....	D28/82
D. 373,220	8/1996	Lund et al.	.....	D28/77
2,108,665	2/1938	Gibson	.....	132/306 X
2,421,646	6/1947	Pepin	.....	132/305
4,684,017	8/1987	Watanbe et al.	.....	206/581 X

**FOREIGN PATENT DOCUMENTS**

486349	9/1952	Canada	.....	132/293
660447	4/1987	Switzerland	.....	132/316

*Primary Examiner*—Terry A. Wallace  
*Assistant Examiner*—C. Tuttle  
*Attorney, Agent, or Firm*—McAulay Fisher Nissen  
Goldberg & Kiel, LLP

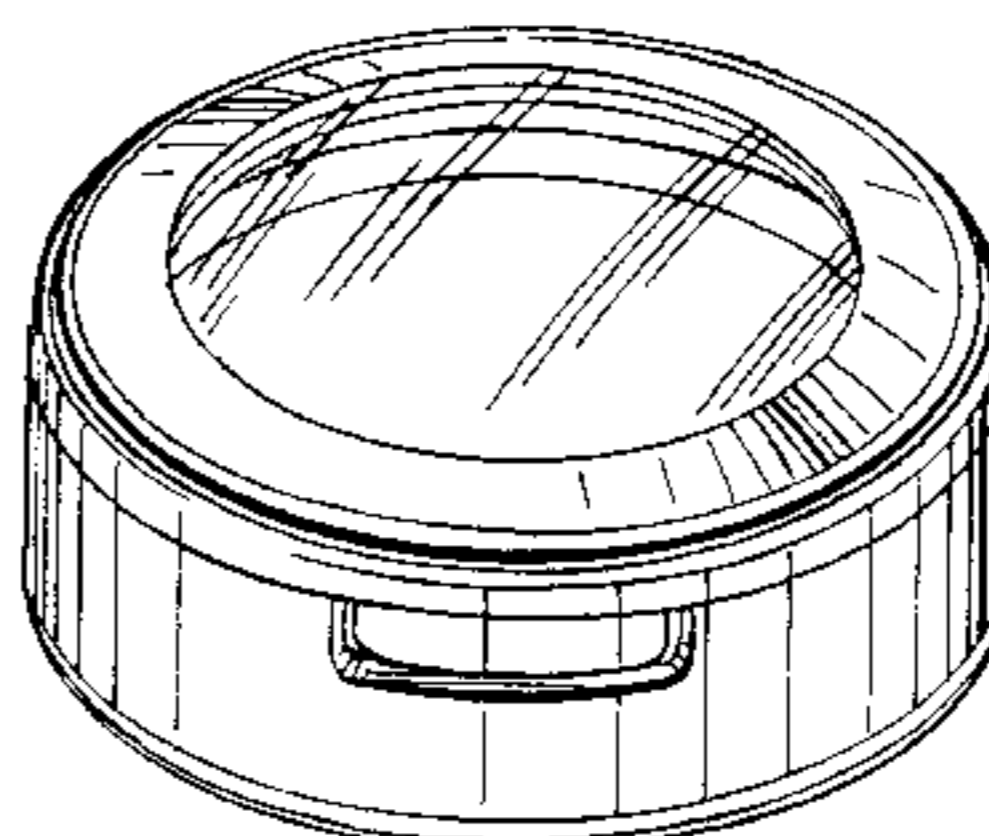
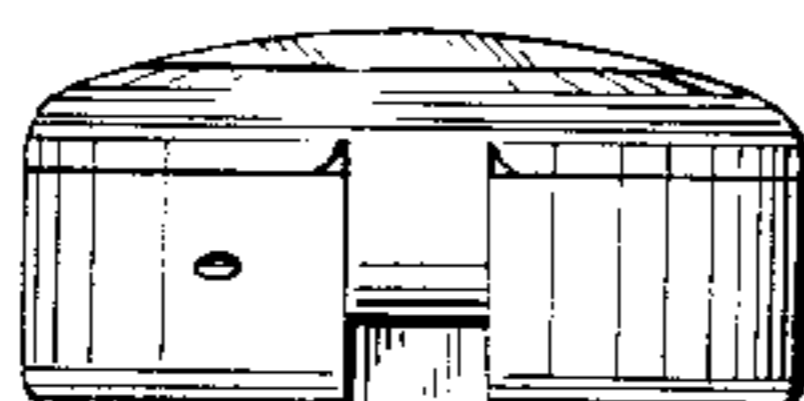
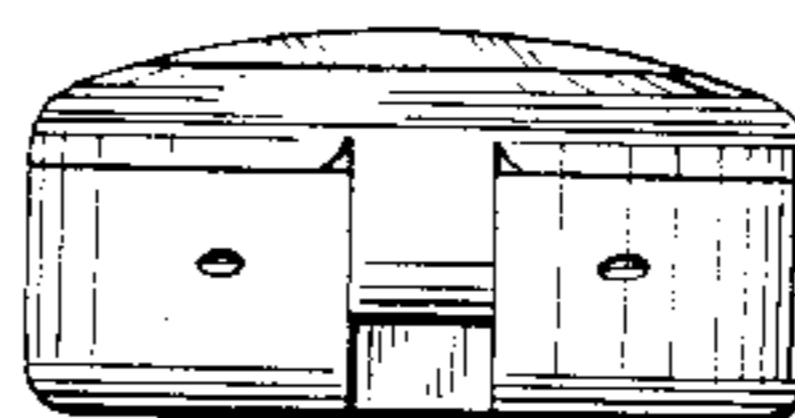
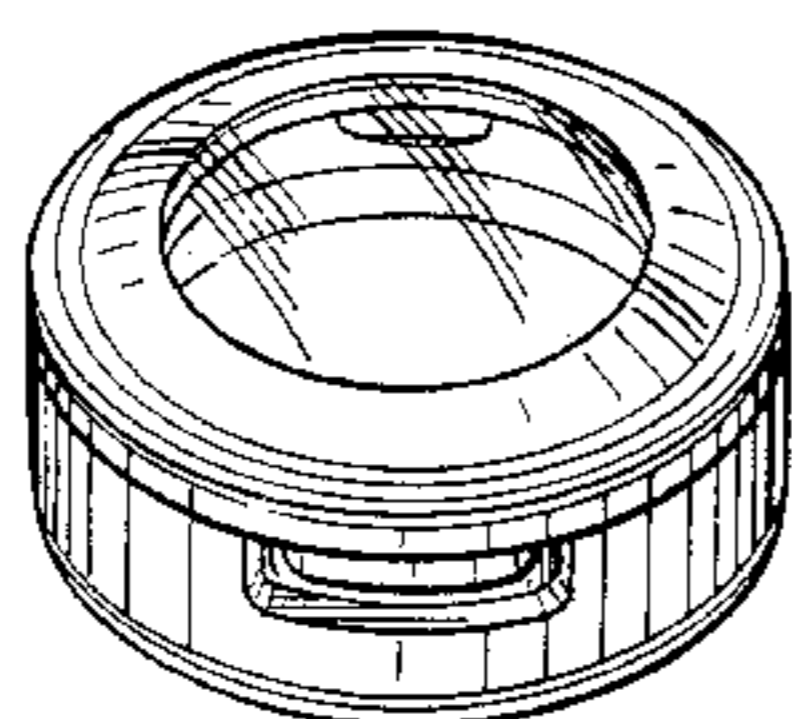
[57] **CLAIM**

The ornamental design for a make-up compact case, as shown and described.

**DESCRIPTION**

FIG. 1 is a perspective view of a make-up compact case showing my new design;  
 FIG. 2 is a front elevational view thereof;  
 FIG. 3 is a rear elevational view thereof;  
 FIG. 4 is a right side view thereof;  
 FIG. 5 is a left side view thereof;  
 FIG. 6 is a top plan view thereof;  
 FIG. 7 is a bottom plan view thereof;  
 FIG. 8 is a perspective view similar to FIG. 1 showing the lid in an open position;  
 FIG. 9 is a perspective view of a make-up compact case showing a second embodiment of my new design;  
 FIG. 10 is a front elevational view of FIG. 9;  
 FIG. 11 is a rear elevational view of FIG. 9;  
 FIG. 12 is a right side view of FIG. 9, the left side view being the same;  
 FIG. 13 is a top plan view of FIG. 9;  
 FIG. 14 is a bottom plan view of FIG. 9;  
 FIG. 15 is a perspective view similar to FIG. 9 showing the lid in an open position;  
 FIG. 16 is a perspective view of a make-up compact case showing a third embodiment of my new design;  
 FIG. 17 is a front elevational view of FIG. 16;  
 FIG. 18 is a rear elevational view of FIG. 16;  
 FIG. 19 is a right side view of FIG. 16;  
 FIG. 20 is a left side view of FIG. 16;  
 FIG. 21 is a top plan view of FIG. 16;  
 FIG. 22 is a bottom plan view of FIG. 16;  
 FIG. 23 is a perspective view similar to FIG. 16 showing the lid in an open position;  
 FIG. 24 is a perspective view of a make-up compact case showing a fourth embodiment of my new design;  
 FIG. 25 is a front elevational view of FIG. 24;  
 FIG. 26 is a rear elevational view of FIG. 24;  
 FIG. 27 is a right side view of FIG. 24, the left side view being the same;  
 FIG. 28 is a top plan view of FIG. 24;  
 FIG. 29 is a bottom plan view of FIG. 24; and,  
 FIG. 30 is a perspective view similar to FIG. 24 showing the lid in an open position.

**1 Claim, 7 Drawing Sheets**



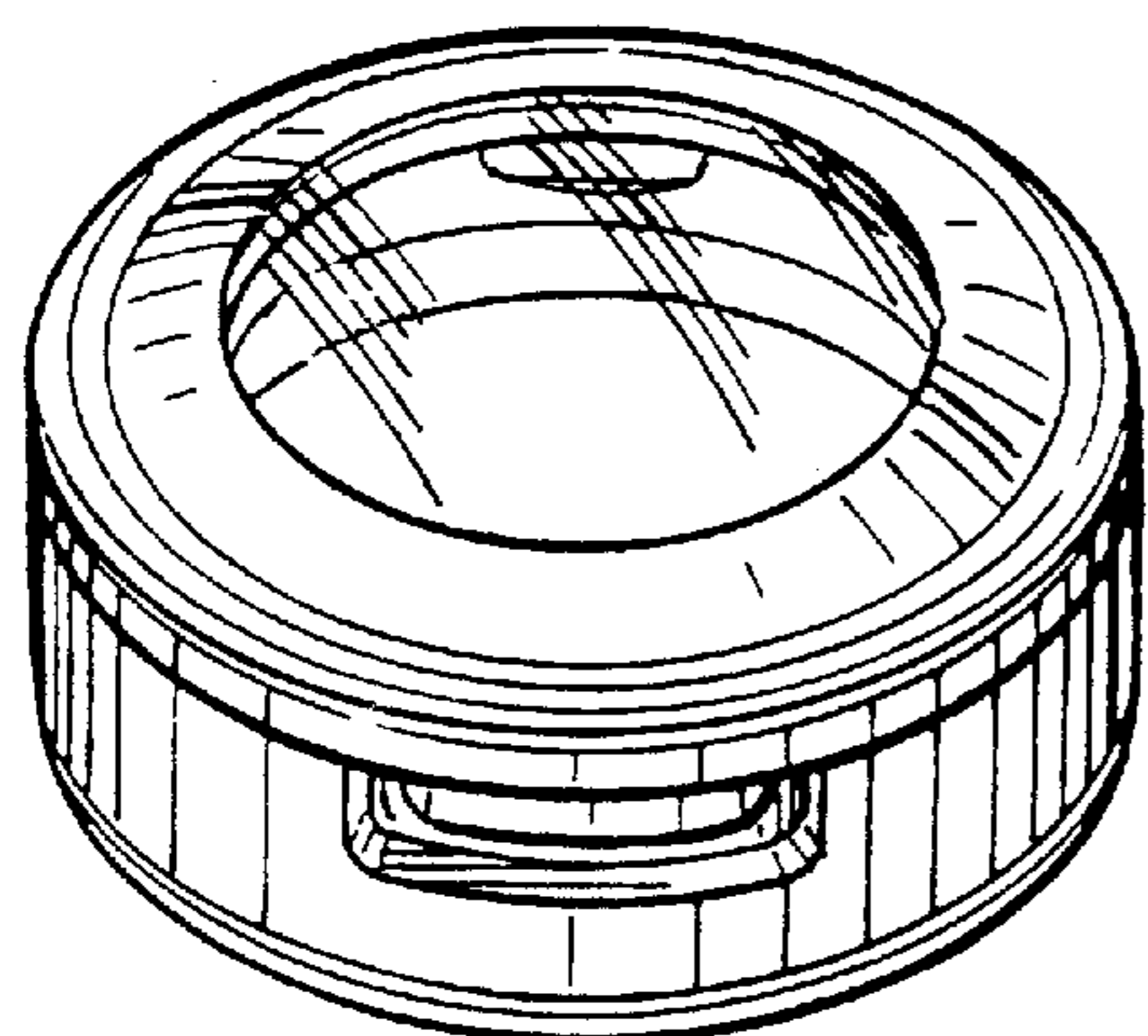


FIG. 1

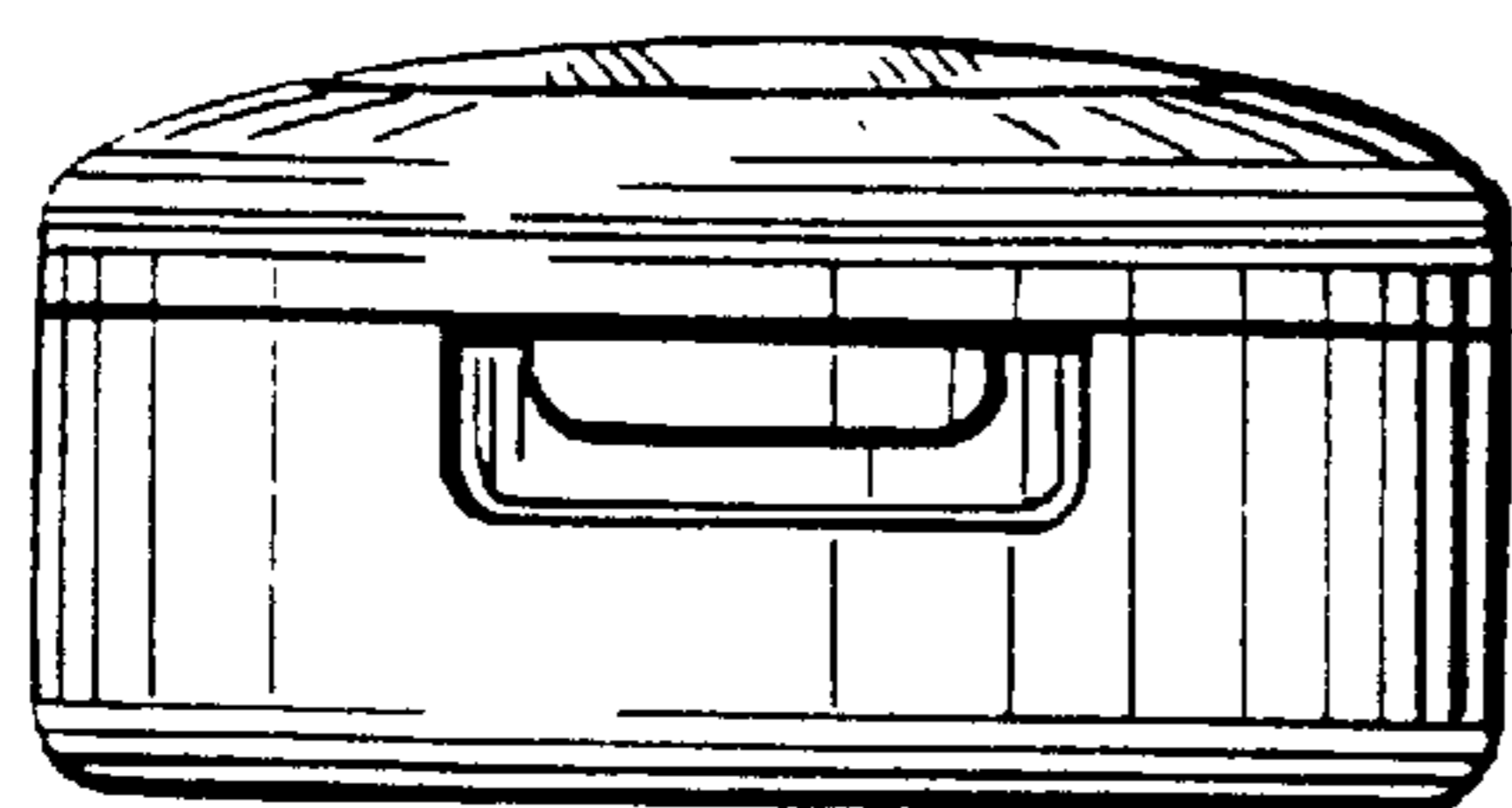


FIG. 2

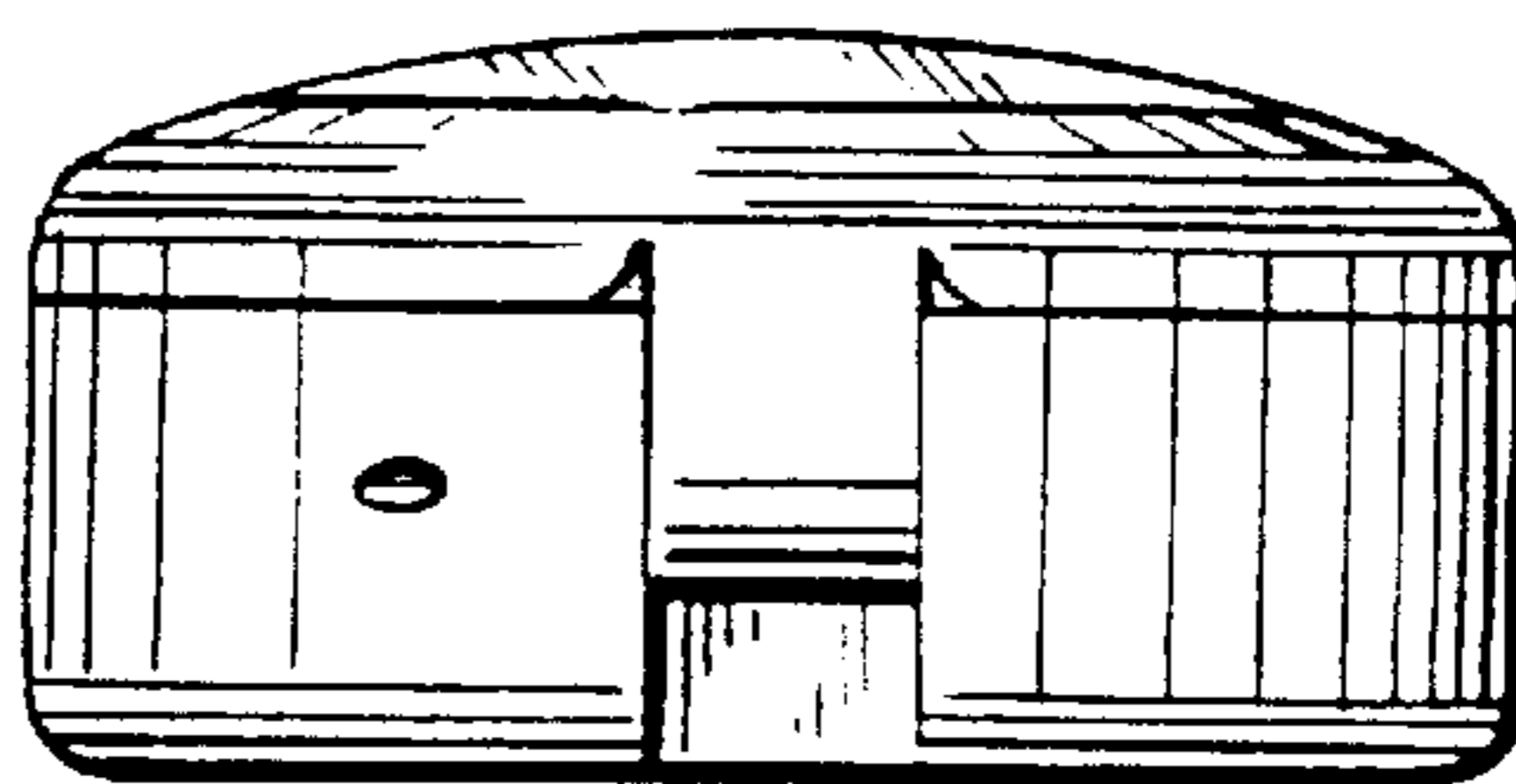


FIG. 3

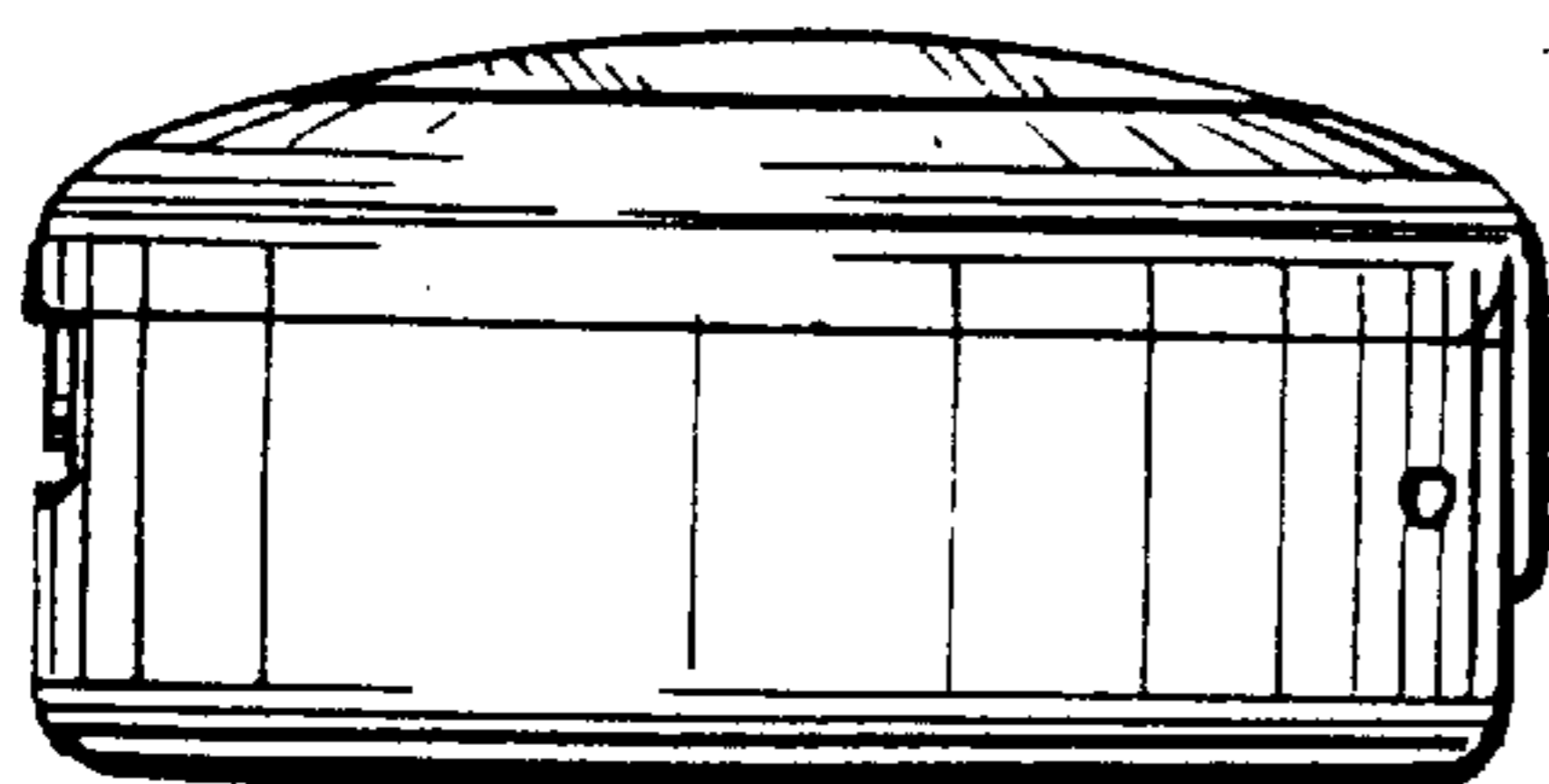


FIG. 4

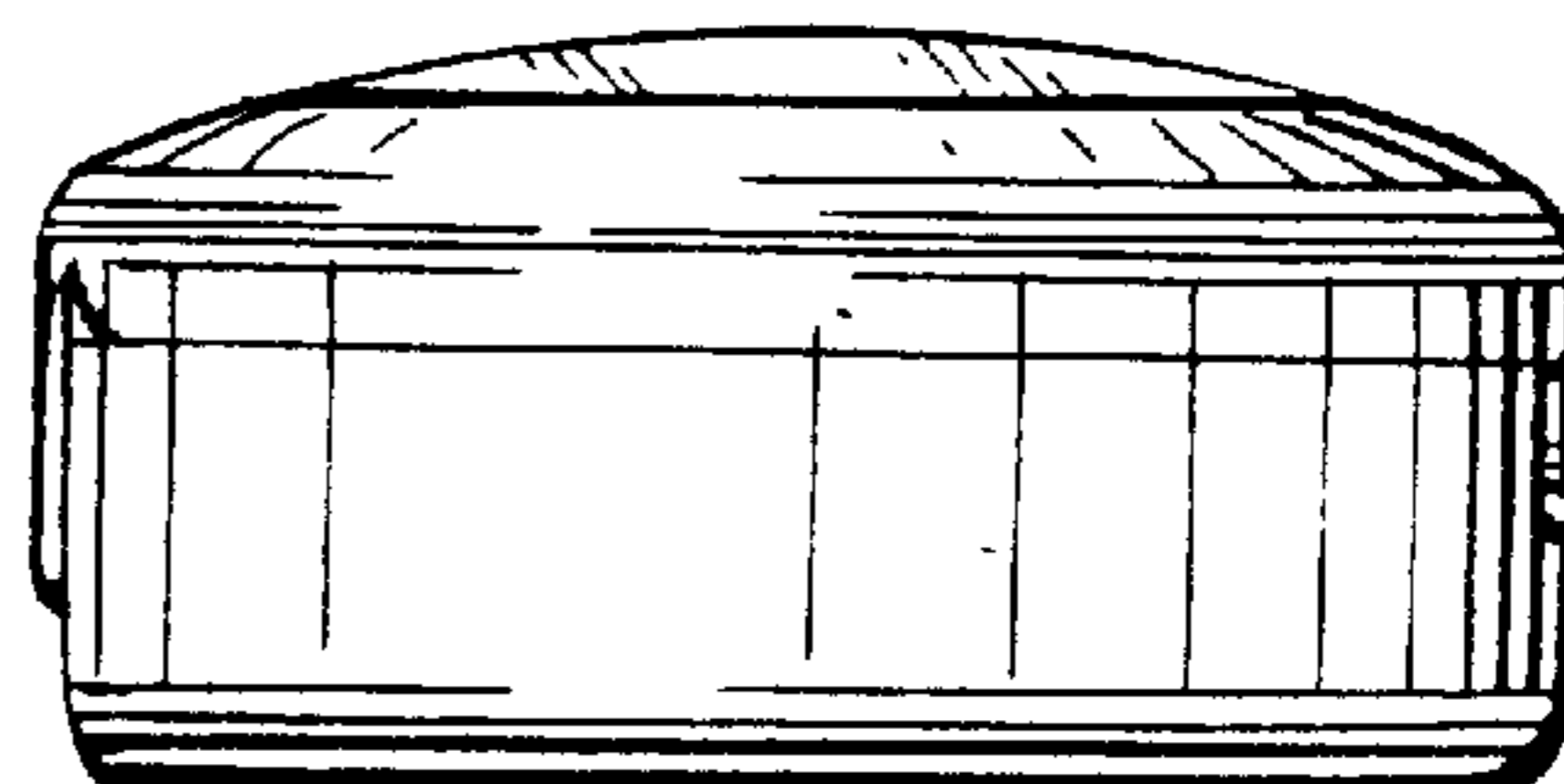


FIG. 5

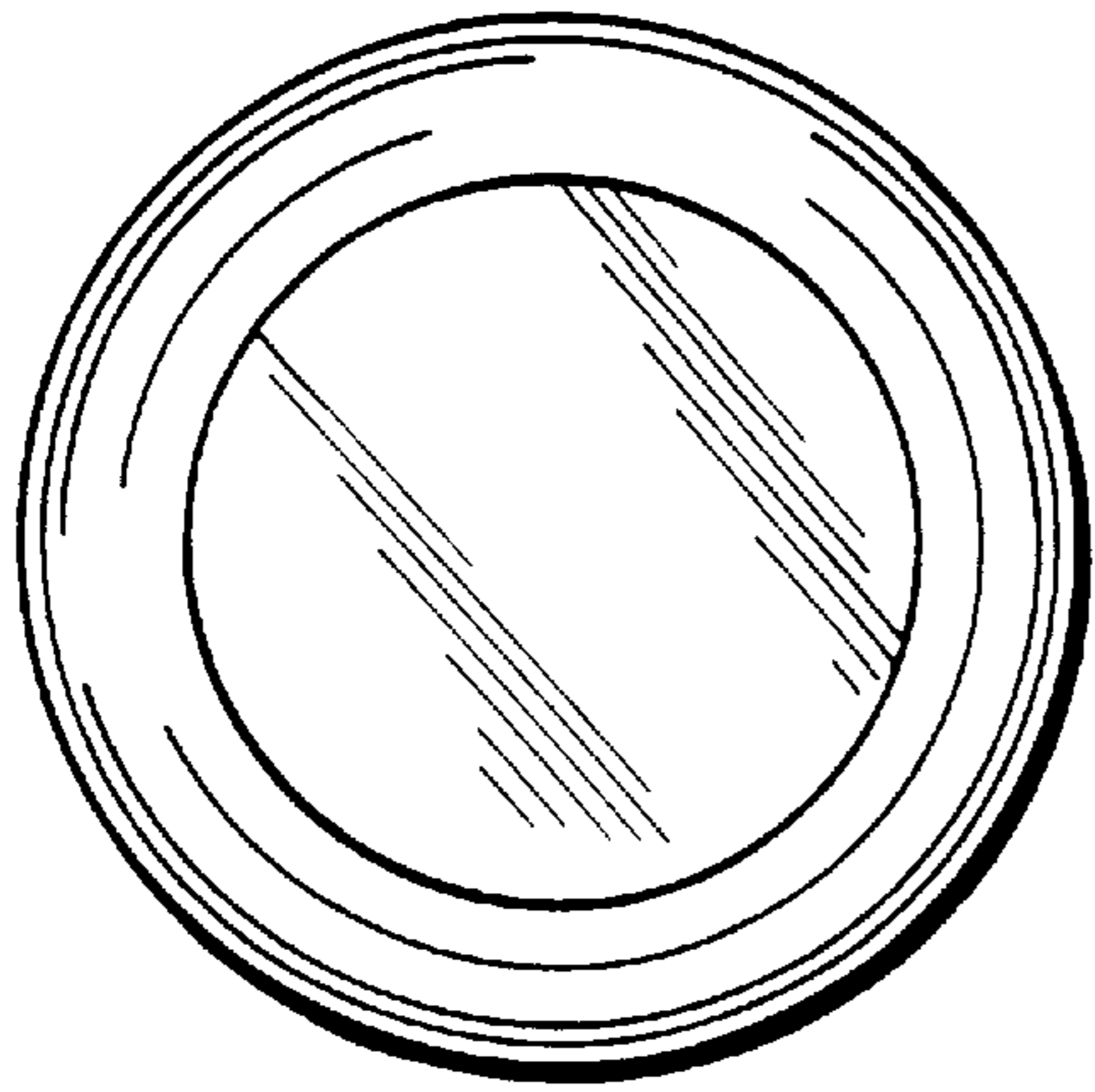


FIG. 6

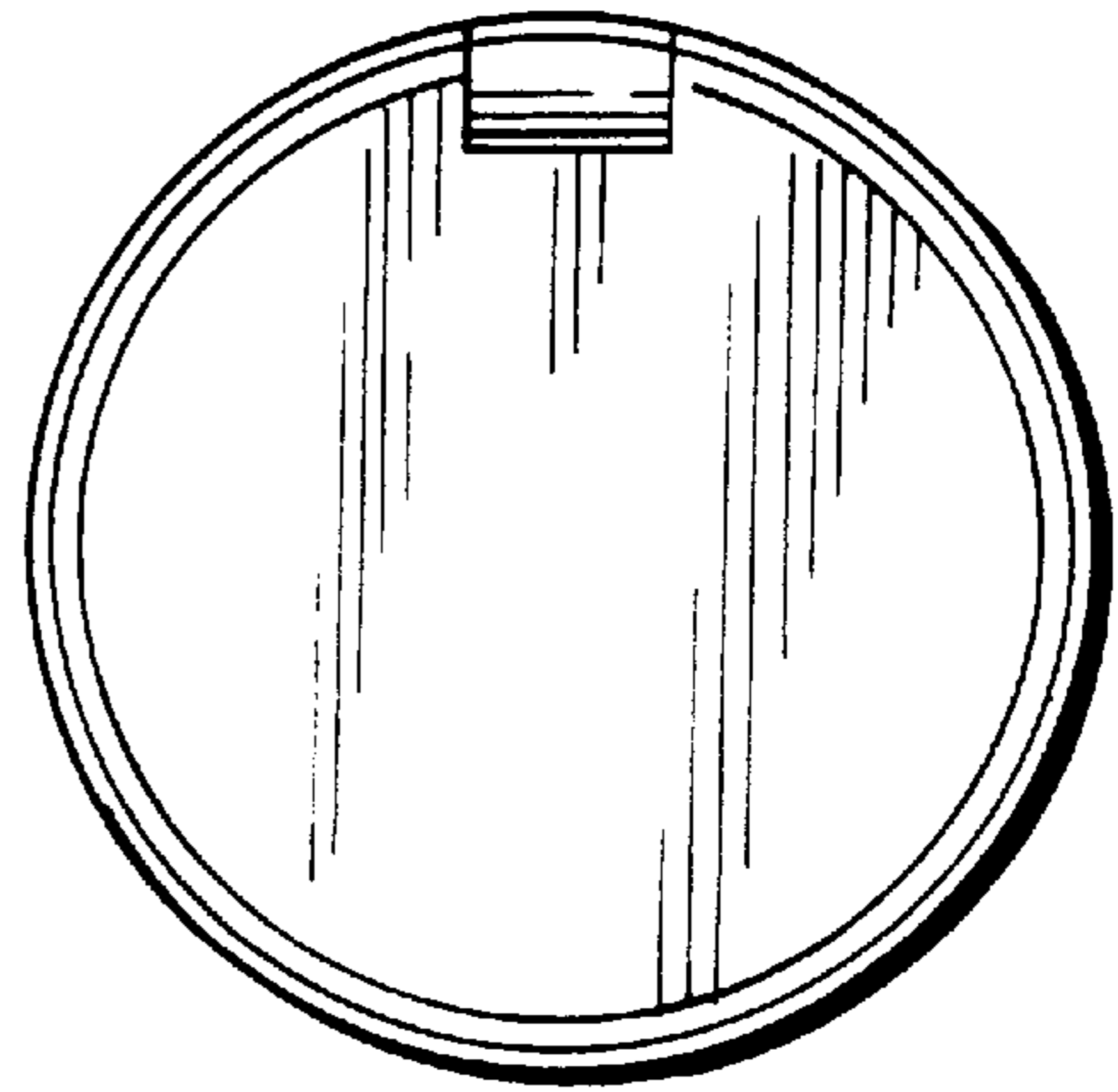


FIG. 7

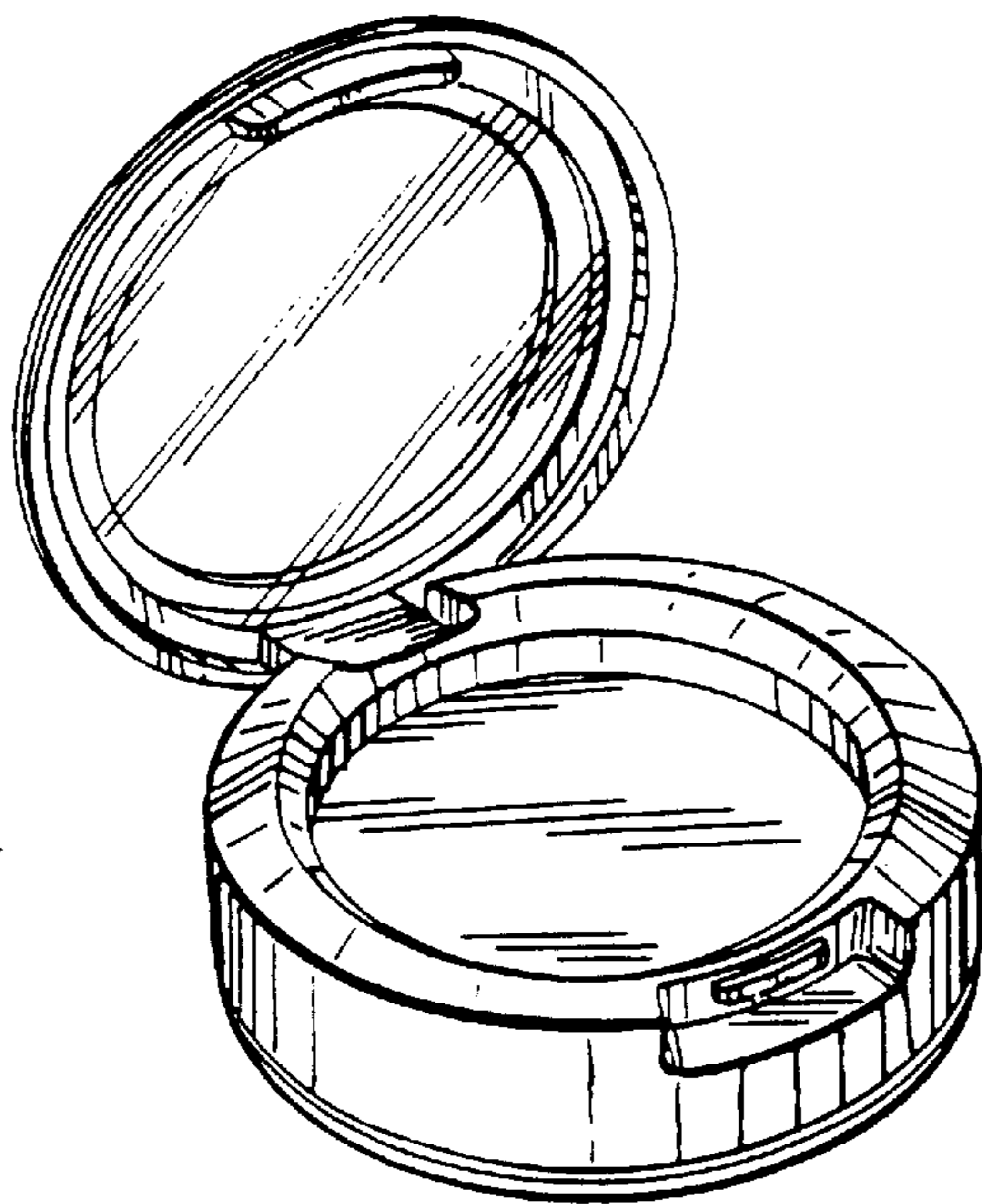


FIG. 8

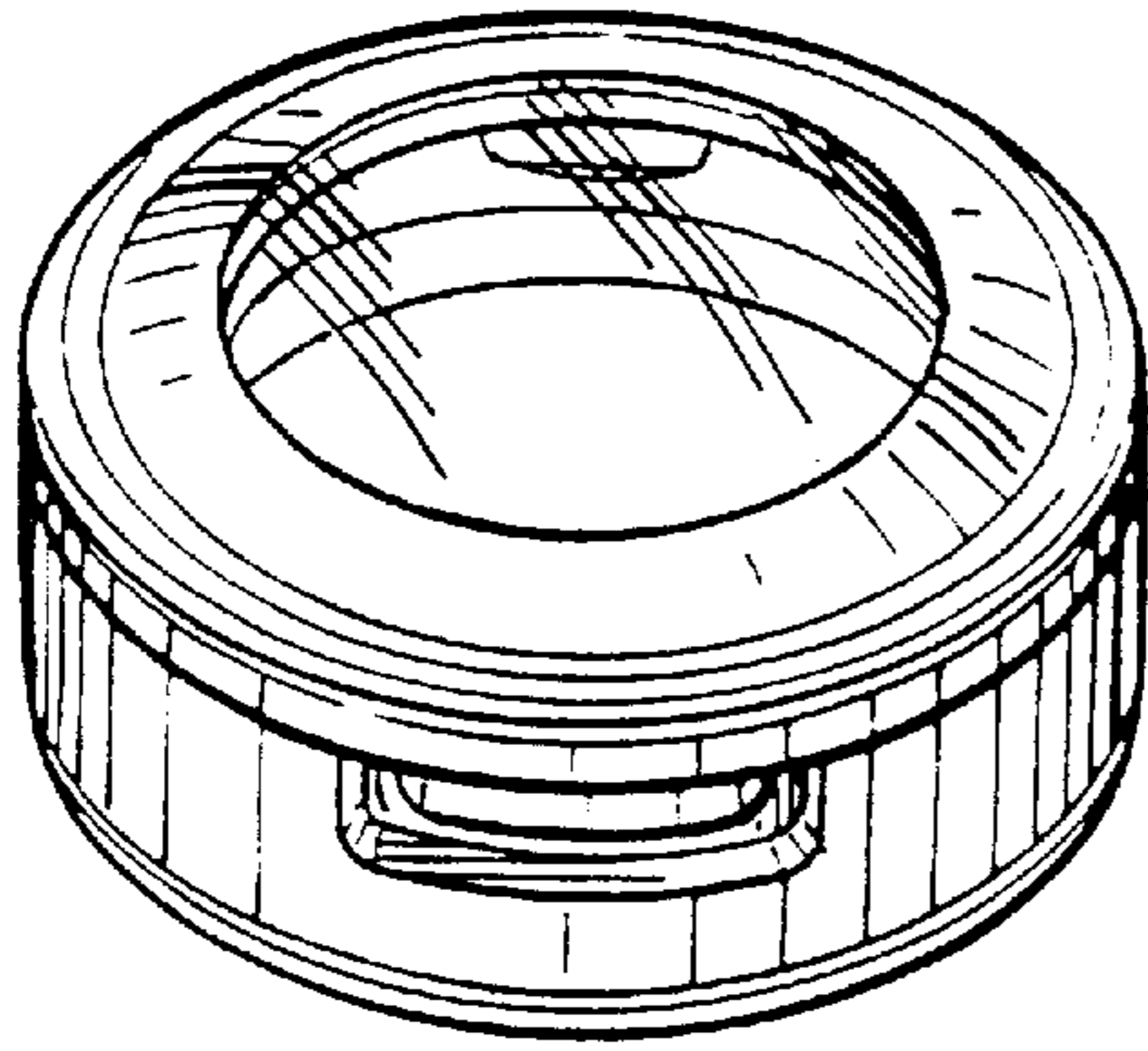


FIG. 9

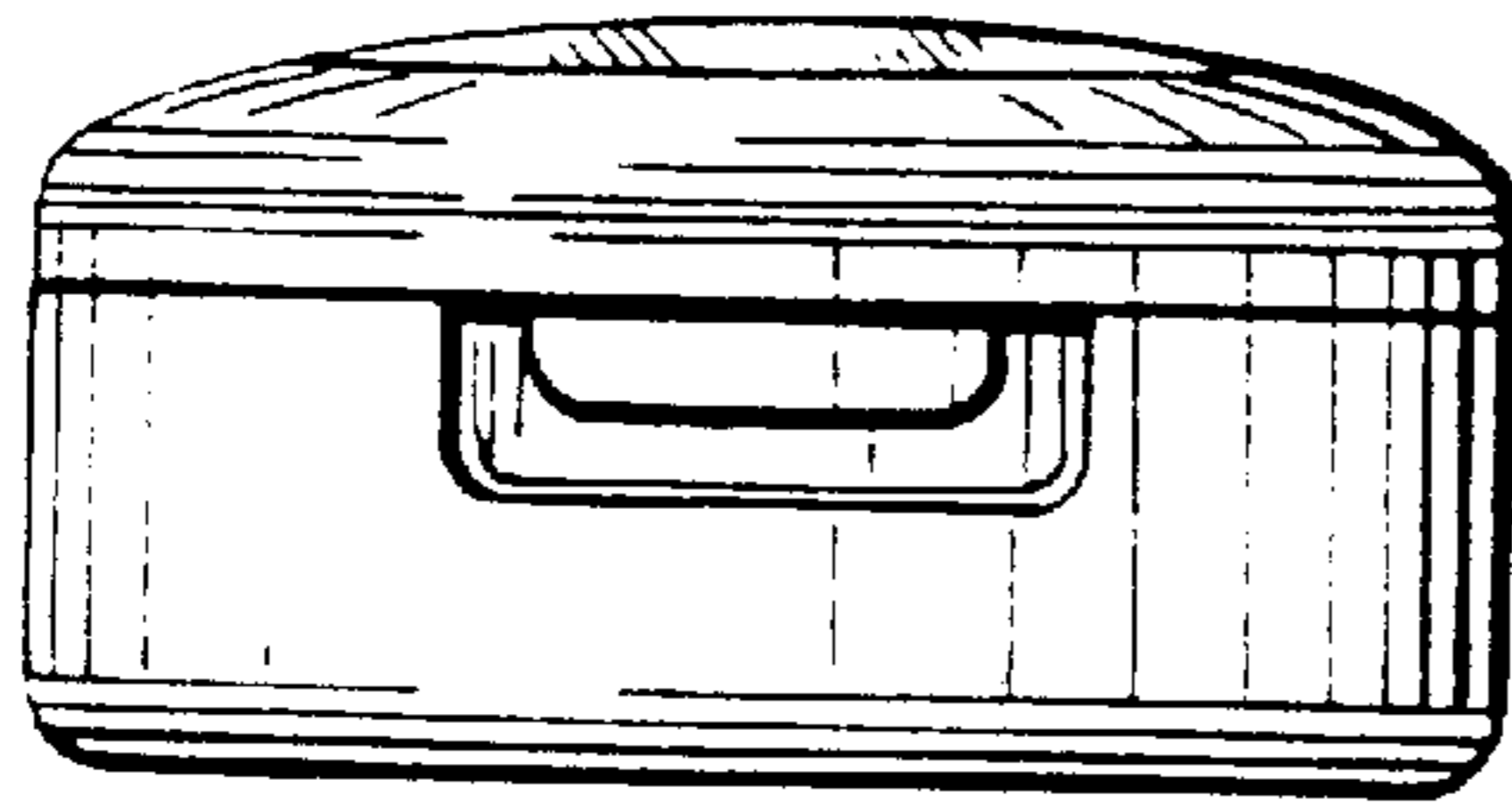


FIG. 10

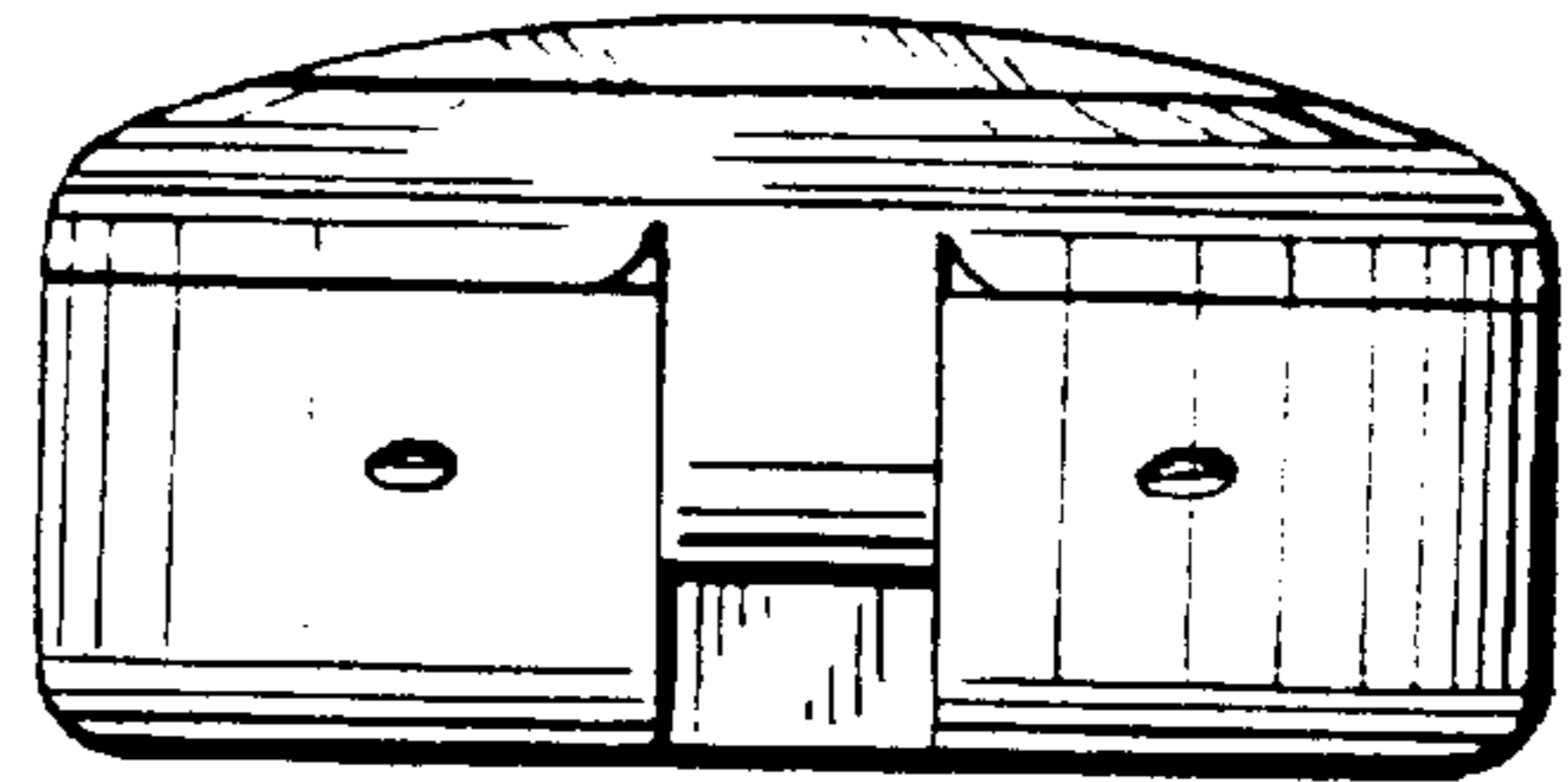


FIG. 11

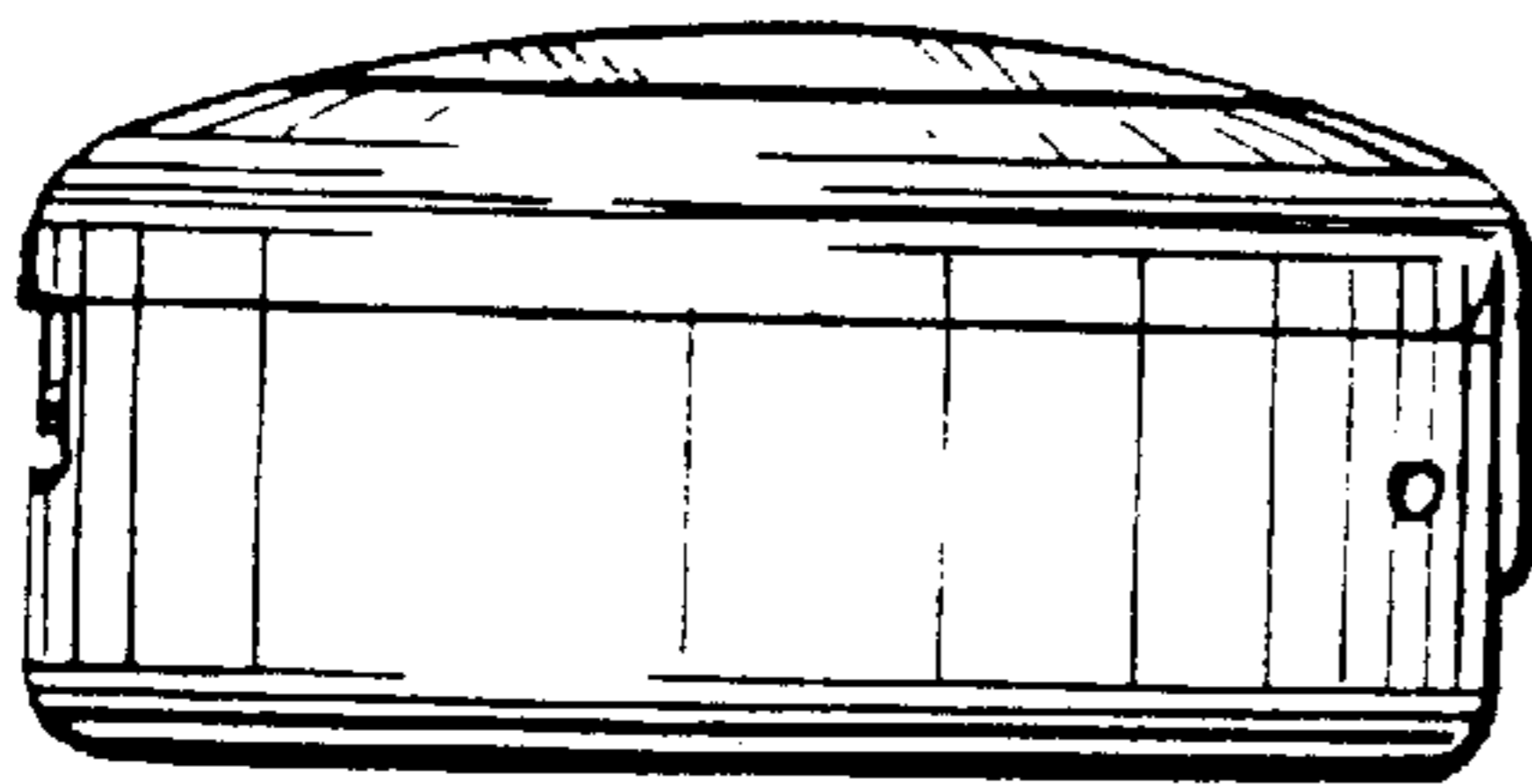


FIG. 12

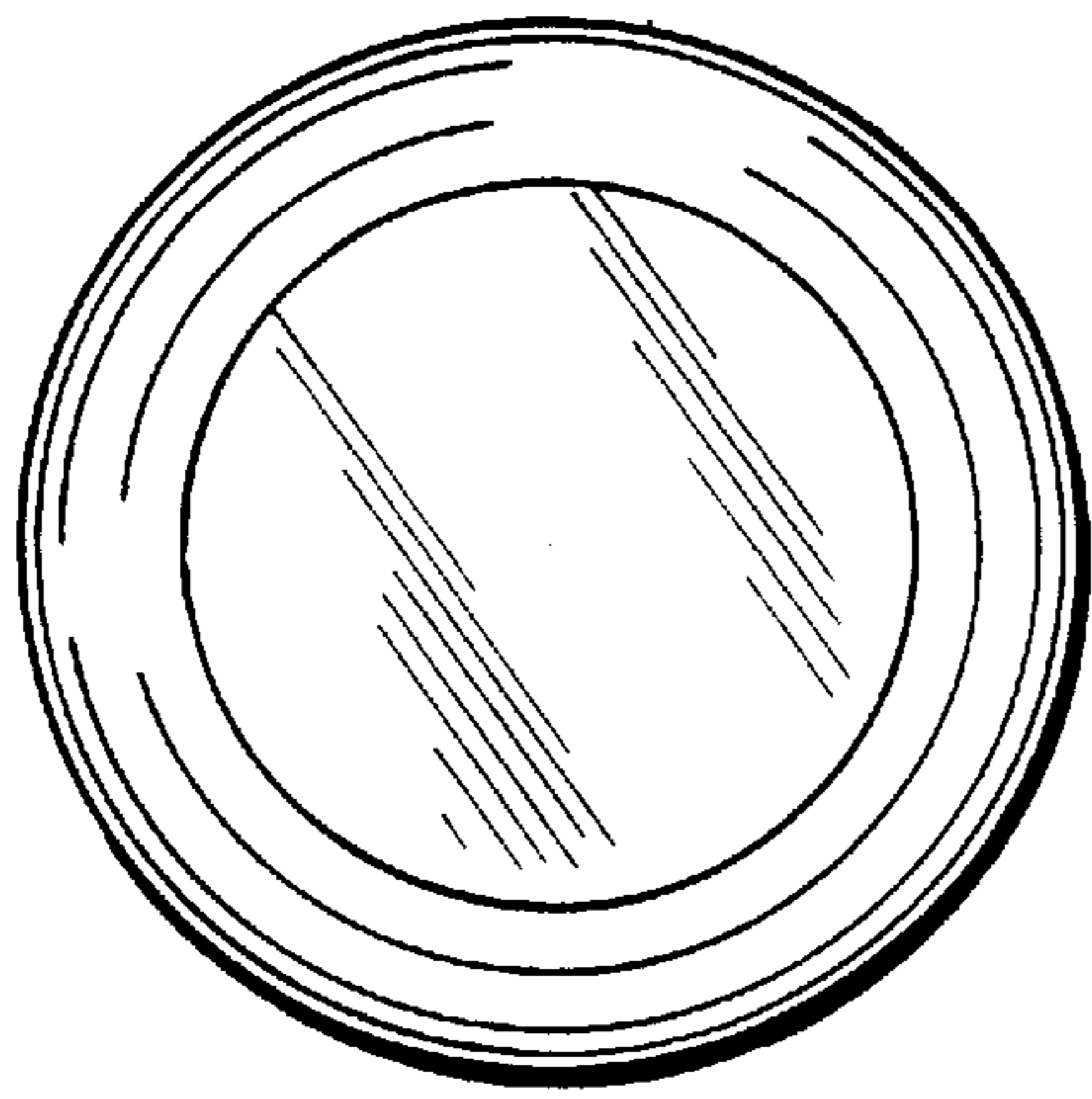


FIG. 13

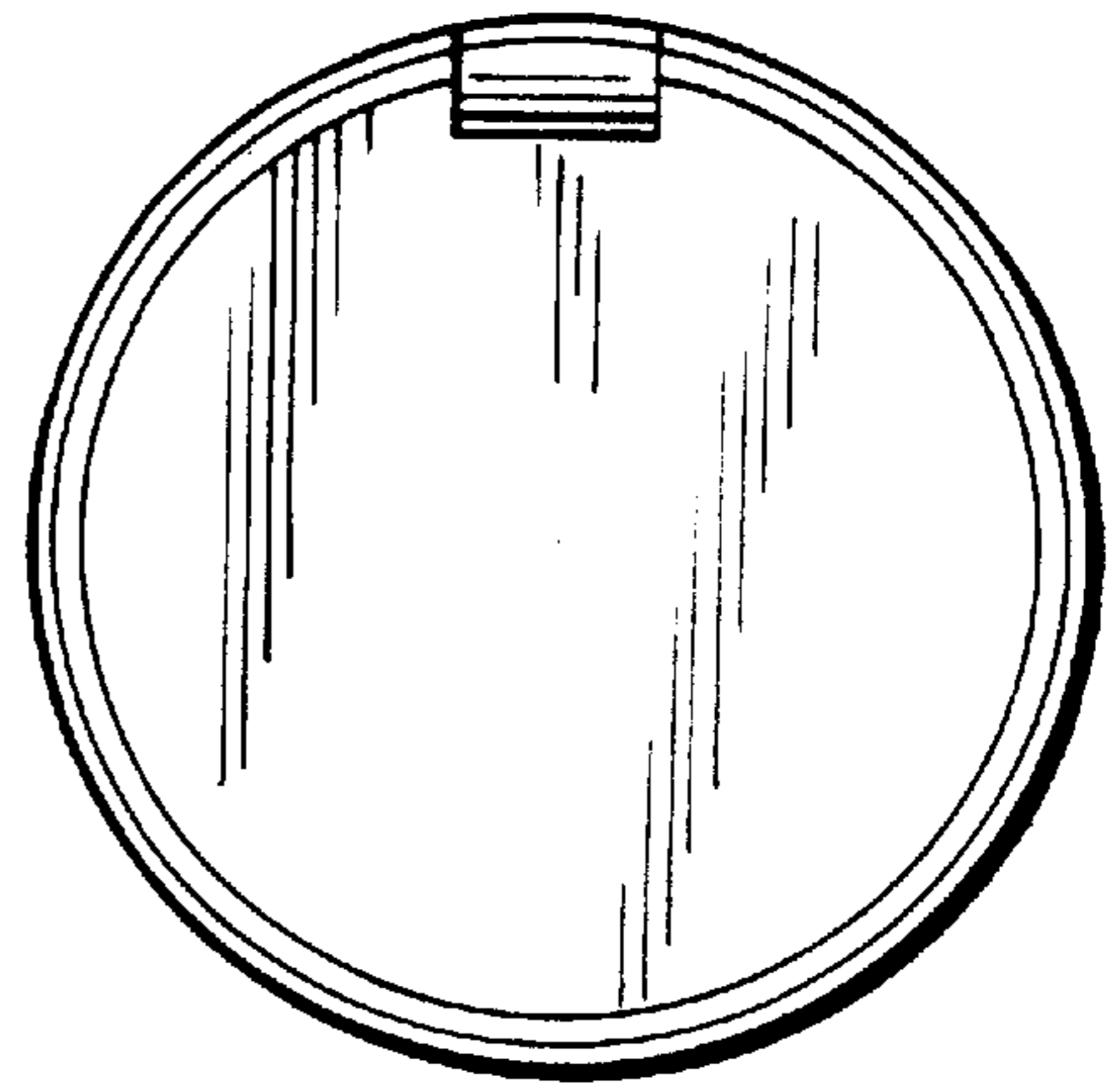


FIG. 14

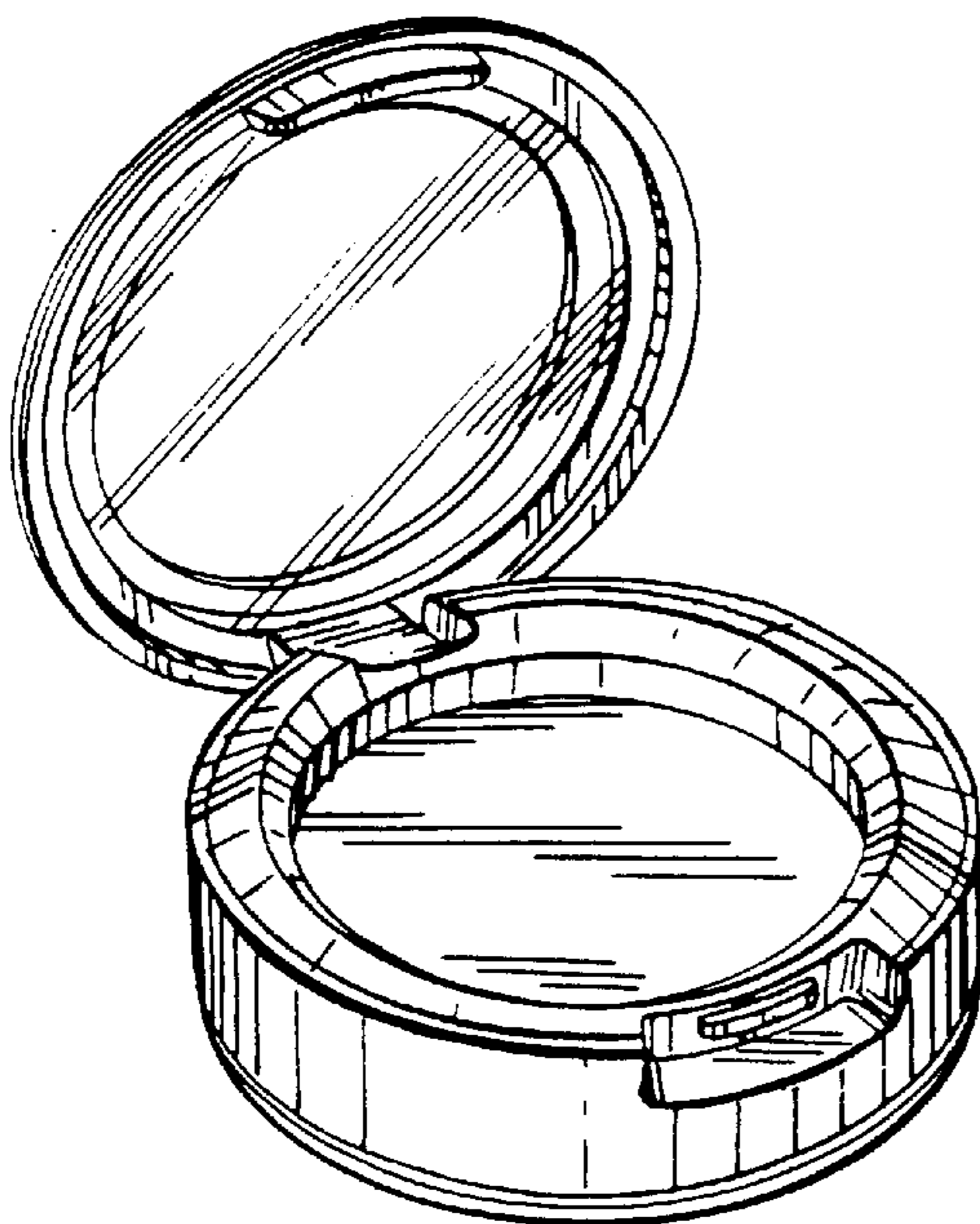


FIG. 15

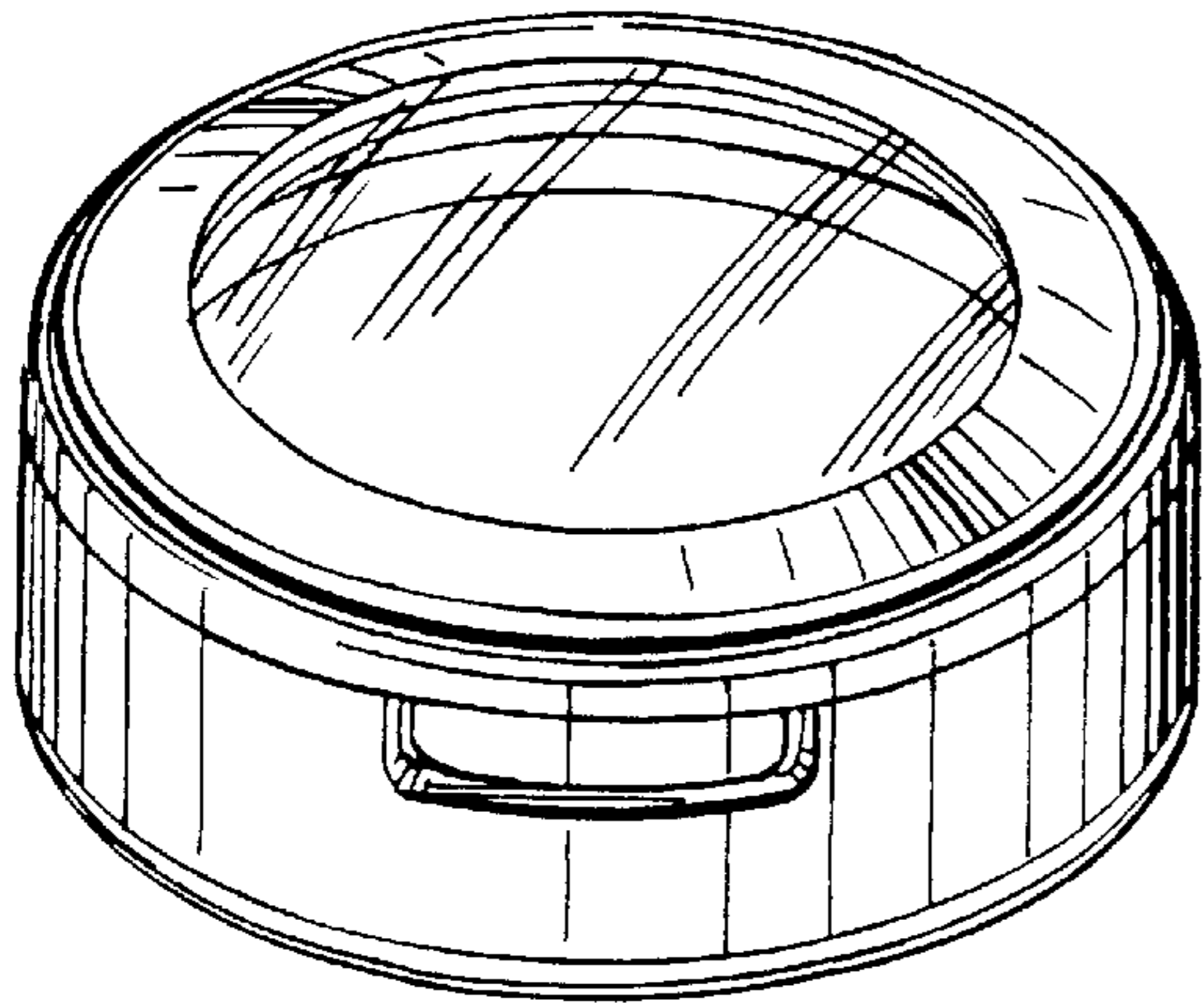


FIG. 16

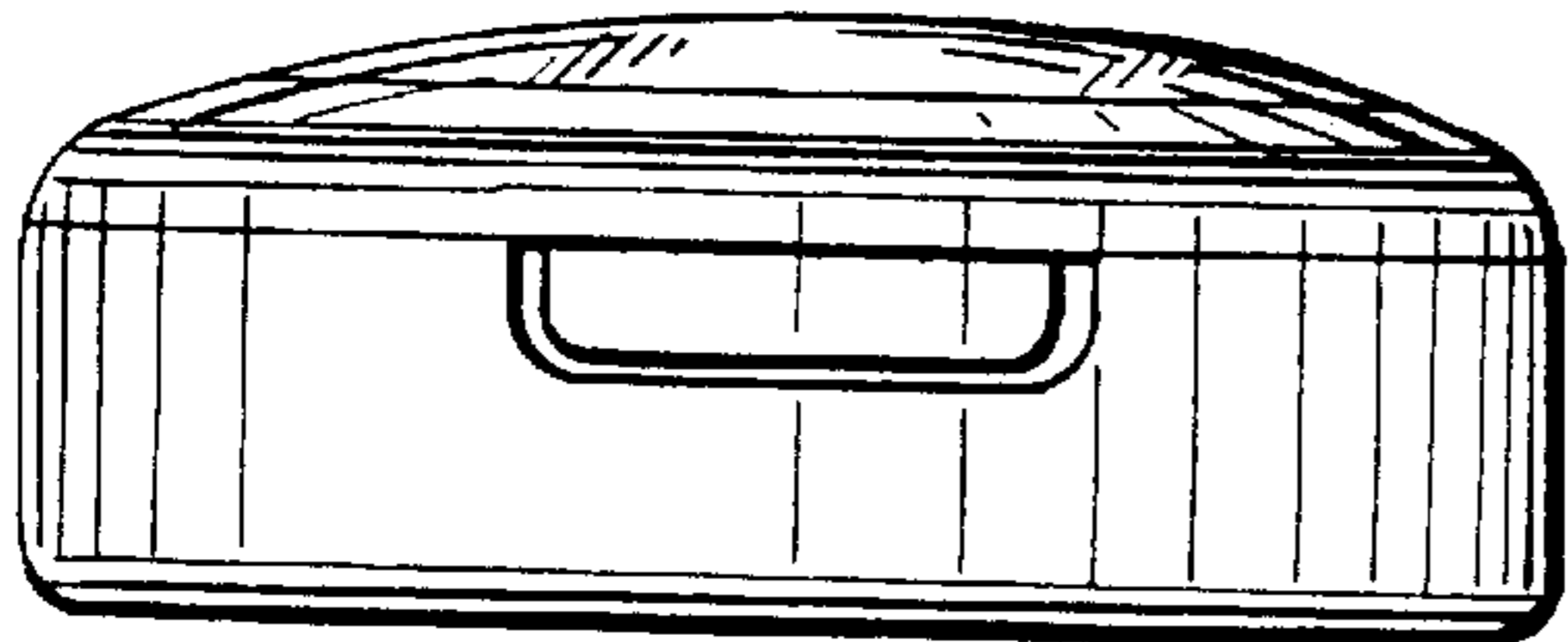


FIG. 17

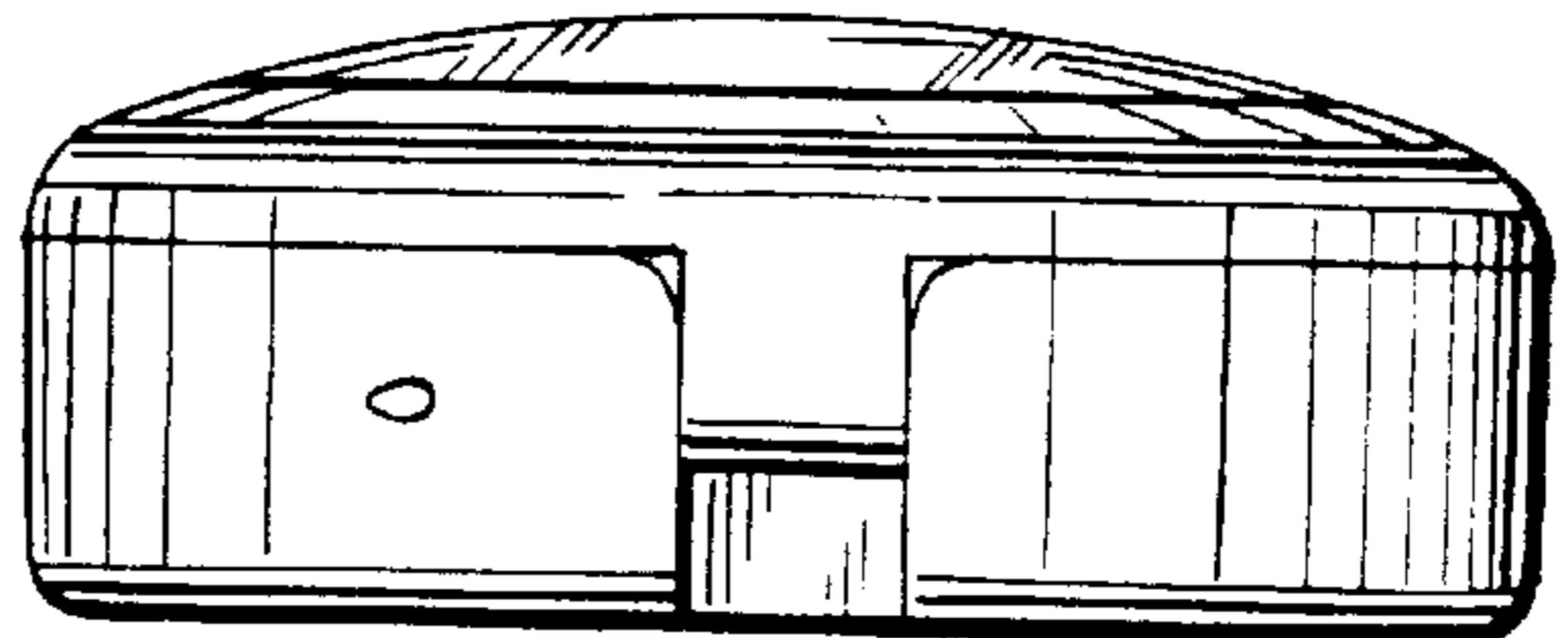


FIG. 18

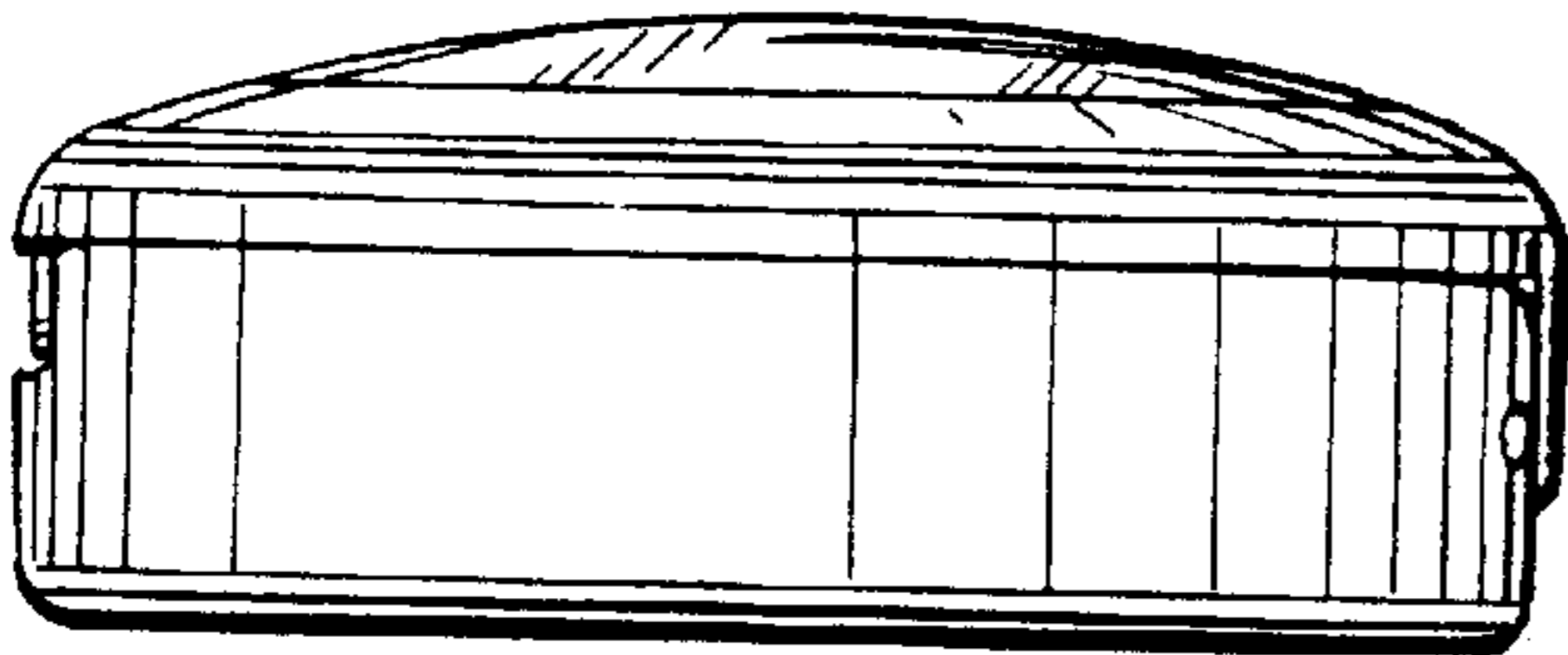


FIG. 19

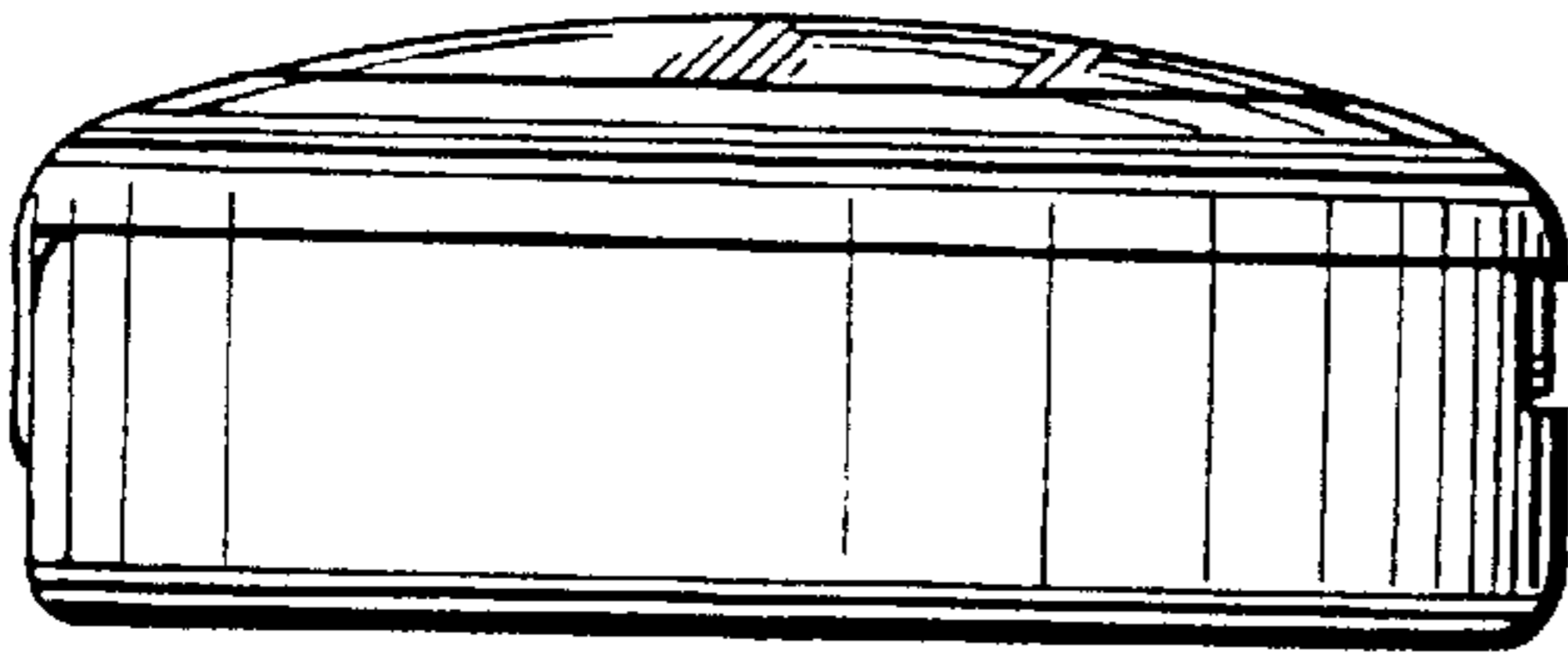


FIG. 20

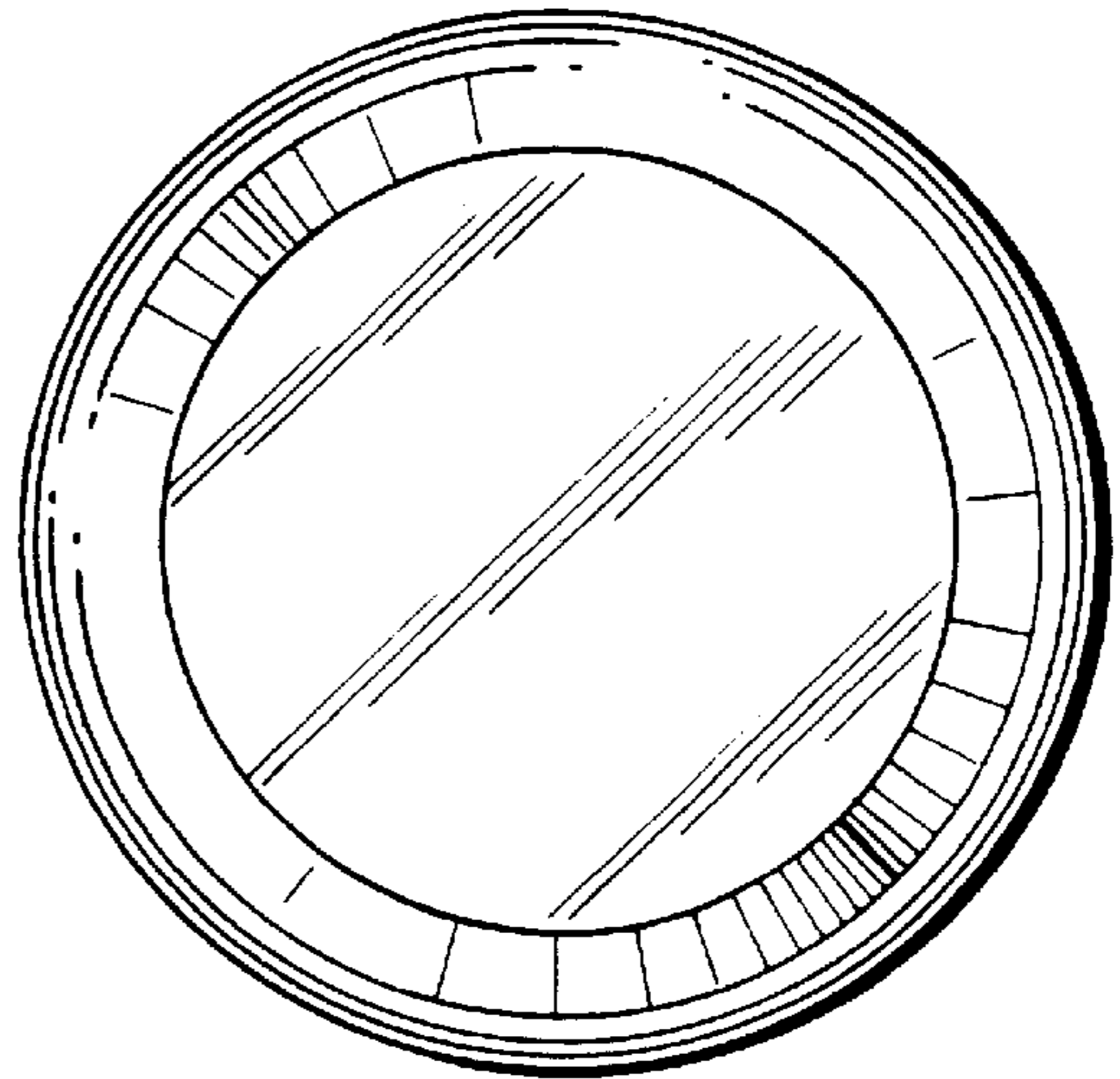


FIG. 21

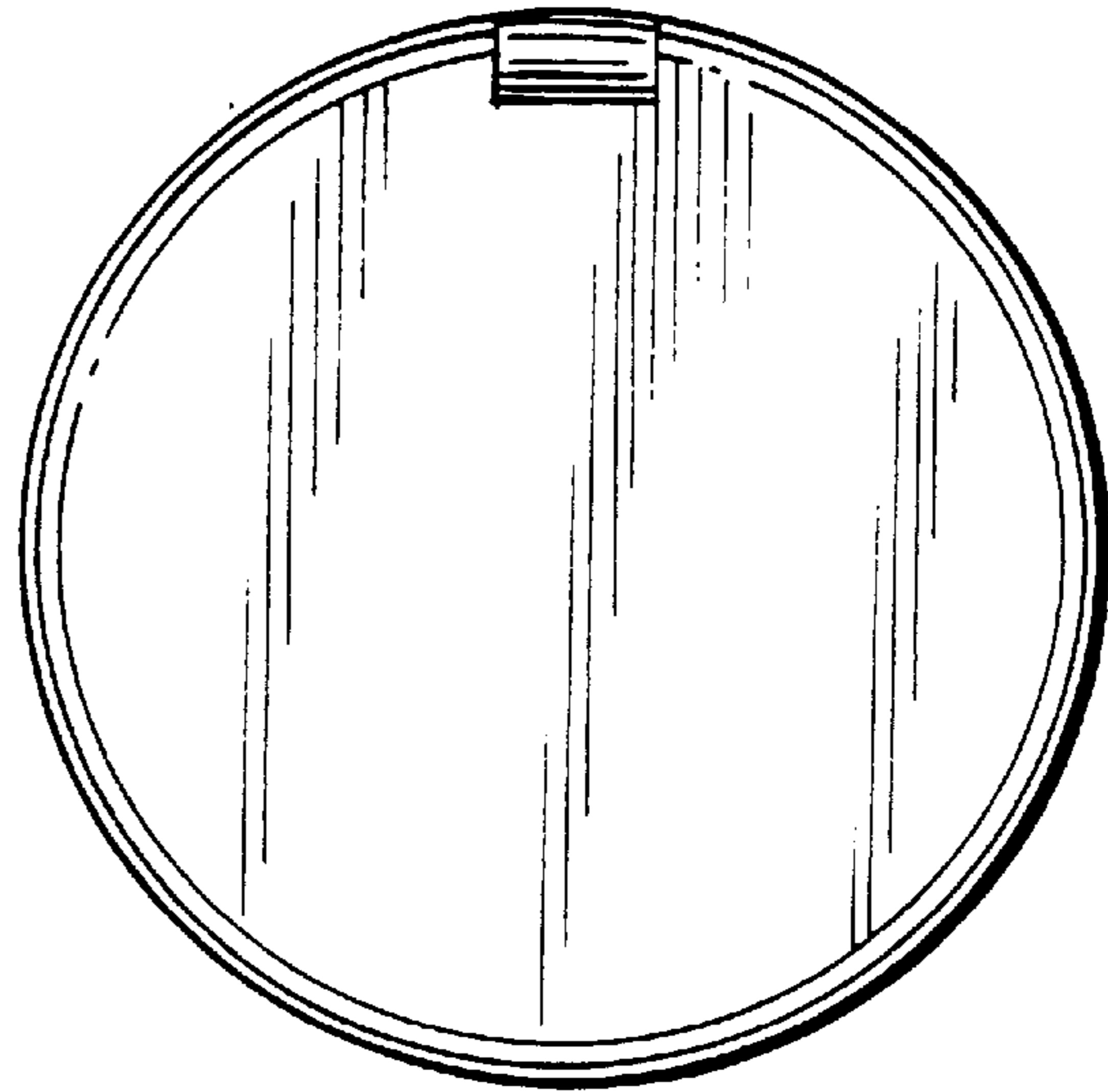


FIG. 22

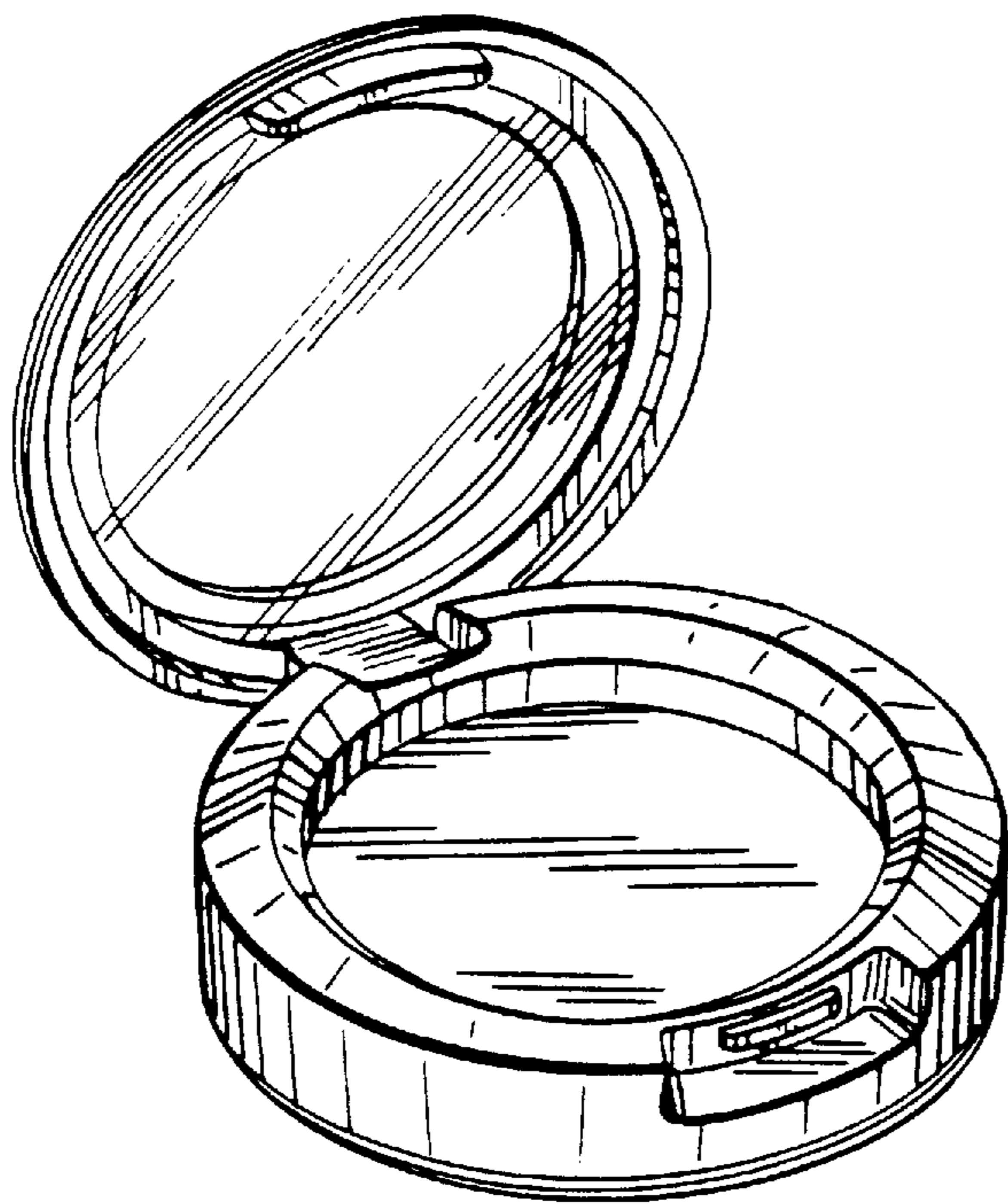


FIG. 23

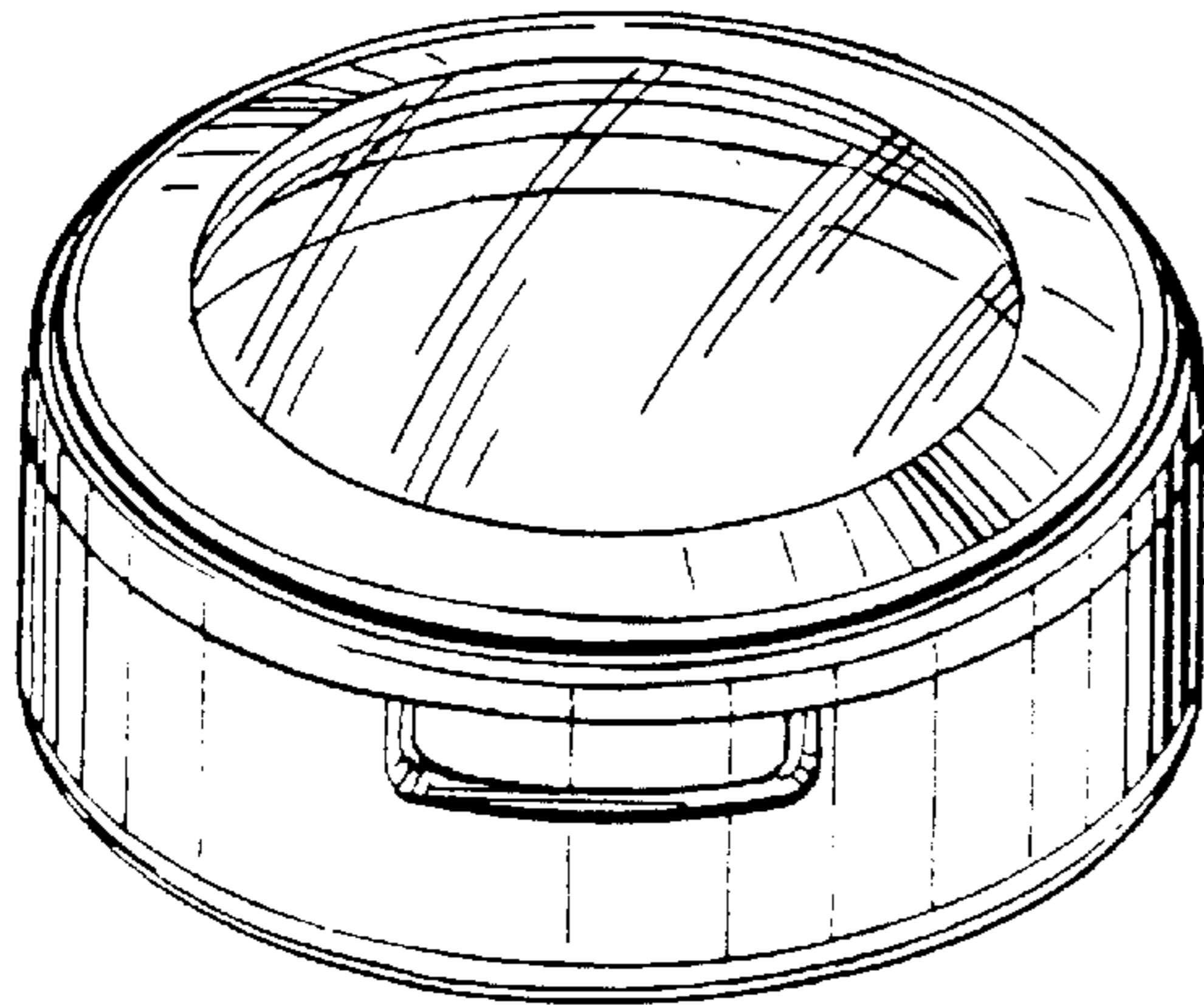


FIG.24

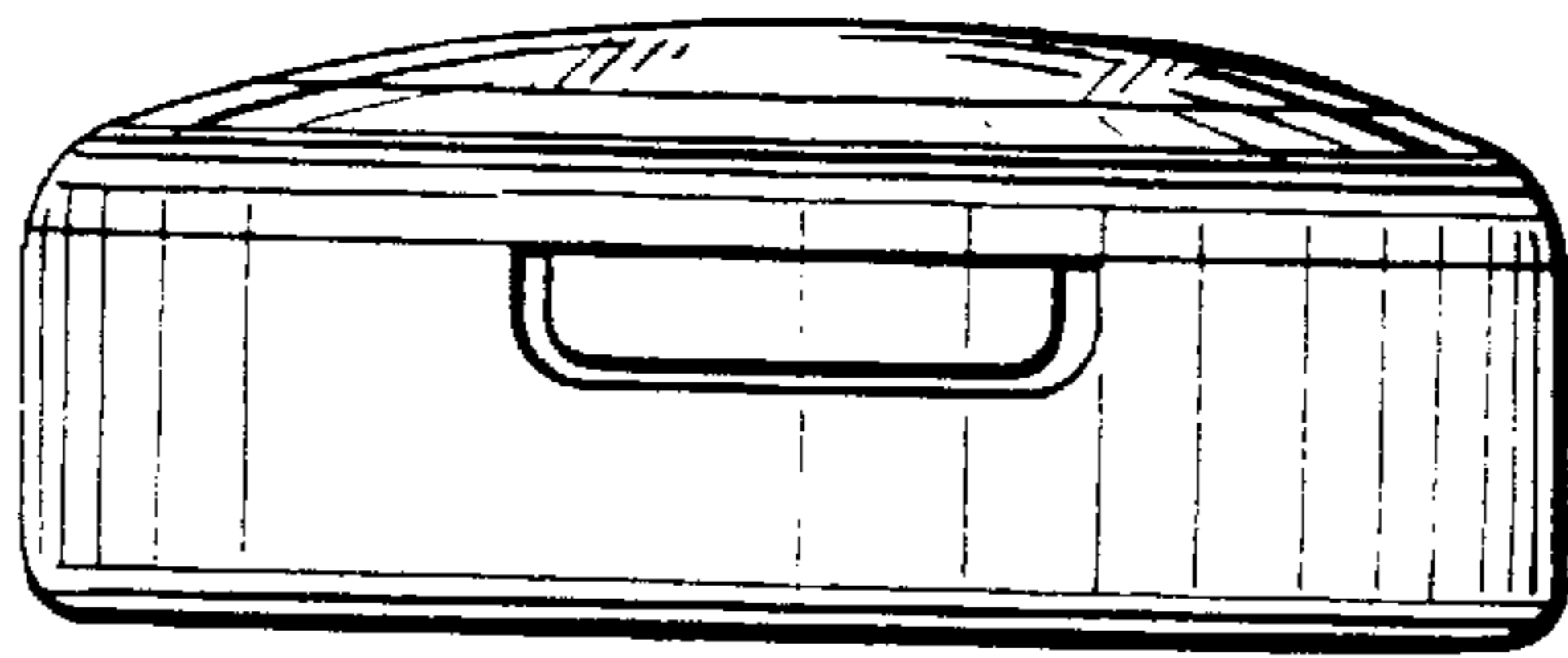


FIG.25

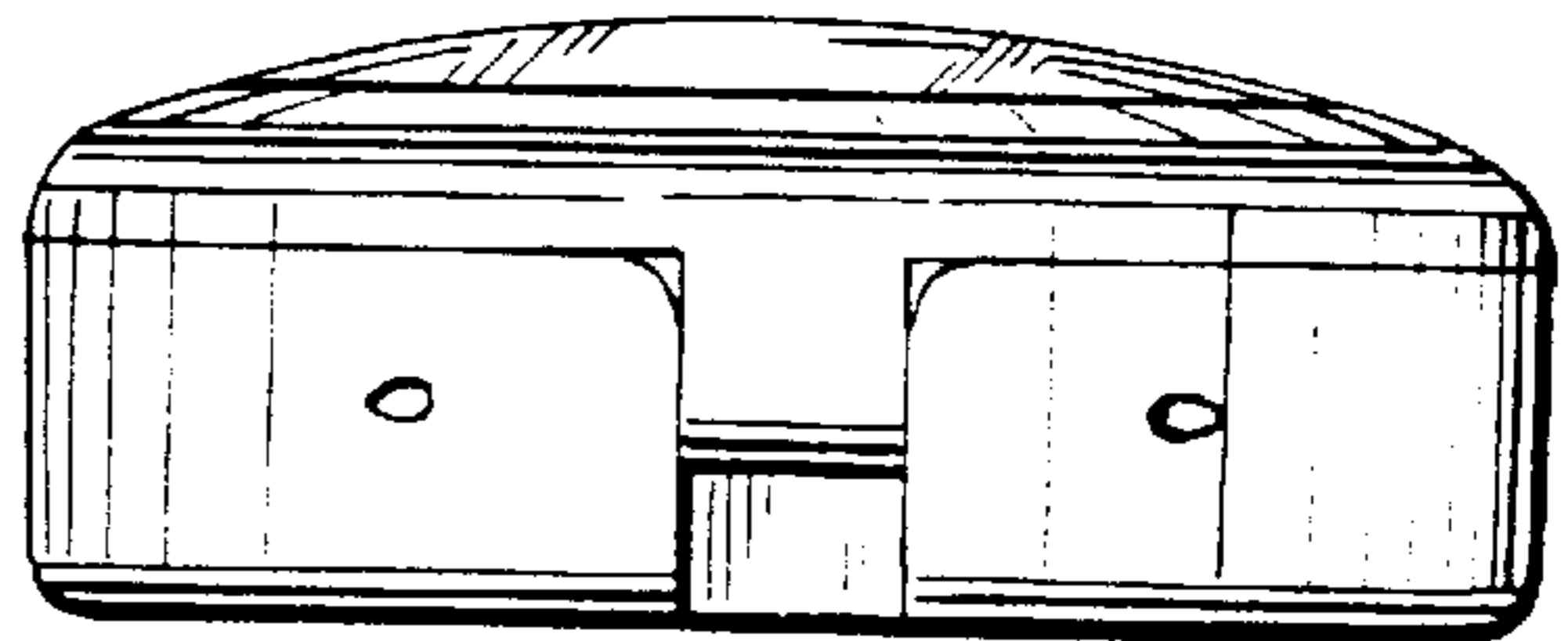


FIG.26

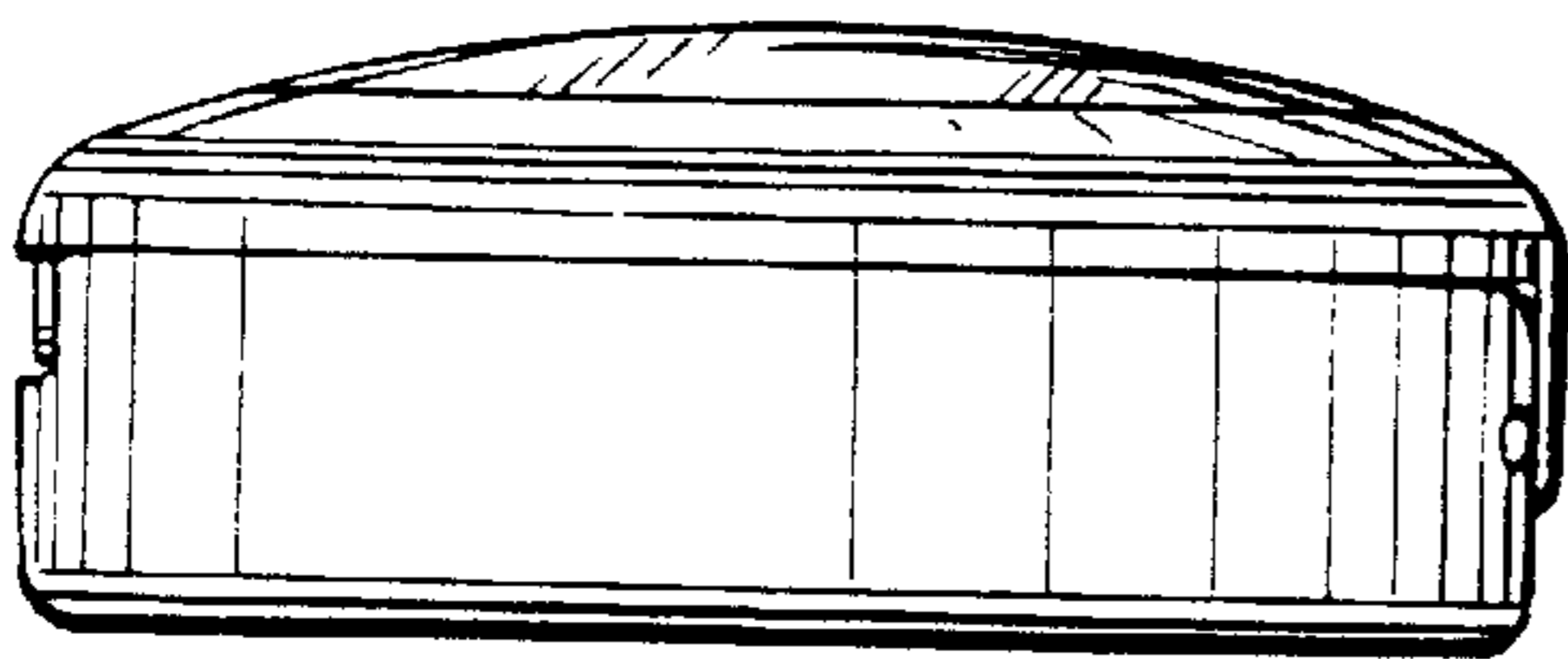


FIG.27

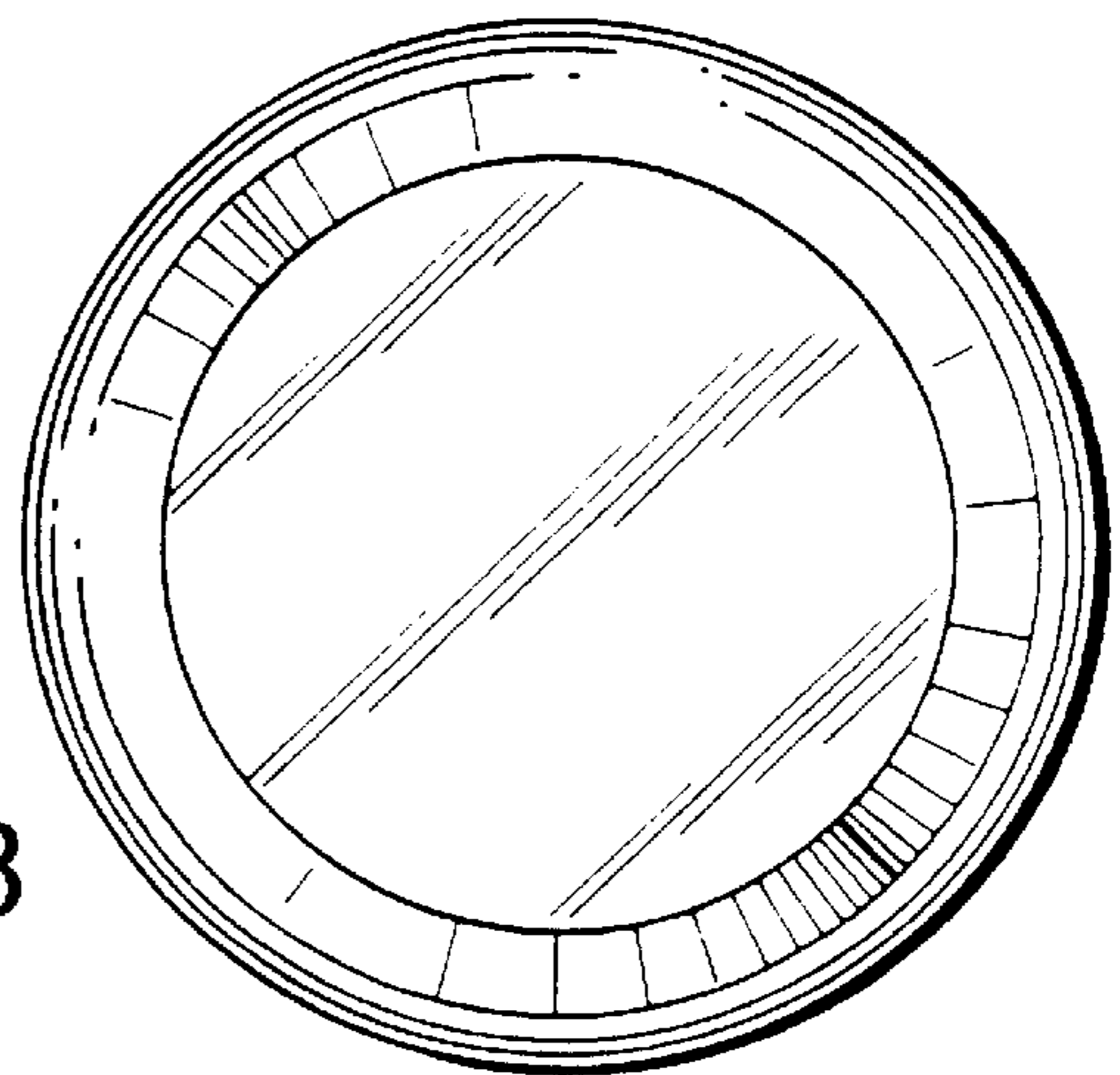


FIG.28