



US00D402409S

United States Patent [19]

Kaneko

[11] **Patent Number: Des. 402,409**

[45] **Date of Patent: **Dec. 8, 1998**

[54] **ERGONOMIC ACRYLIC NAIL TRIMMER**

3,943,947 3/1976 Voll 132/73
5,063,666 11/1991 Tsay 132/75.5 X

[75] Inventor: **Steven Toshi Kaneko**, Seattle, Wash.

[73] Assignees: **Kenneth Goodell; Virginia Goodell**, both of Tigard, Oreg.

[**] Term: **14 Years**

Primary Examiner—Ted Shooman
Assistant Examiner—C. Tuttle
Attorney, Agent, or Firm—Marger, Johnson, McCollom & Stolowitz, P.C.

[21] Appl. No.: **49,872**

[22] Filed: **Feb. 2, 1996**

[51] **LOC (6) Cl. 28-03**

[52] **U.S. Cl. D28/60**

[58] **Field of Search** D28/44, 52, 60;
30/26-28; D8/52, 54; 132/73, 75.4, 75.5

[57] CLAIM

The ornamental design for an ergonomic acrylic nail trimmer, as shown and described.

DESCRIPTION

FIG. 1 is a perspective view of the subject invention, showing my new design; and FIG. 2 is a right side elevational view, the left side being a mirror image thereof; FIG. 3 is a top view thereof; FIG. 4 is a bottom view thereof; FIG. 5 is a front view thereof; and, FIG. 6 is a rear view thereof.

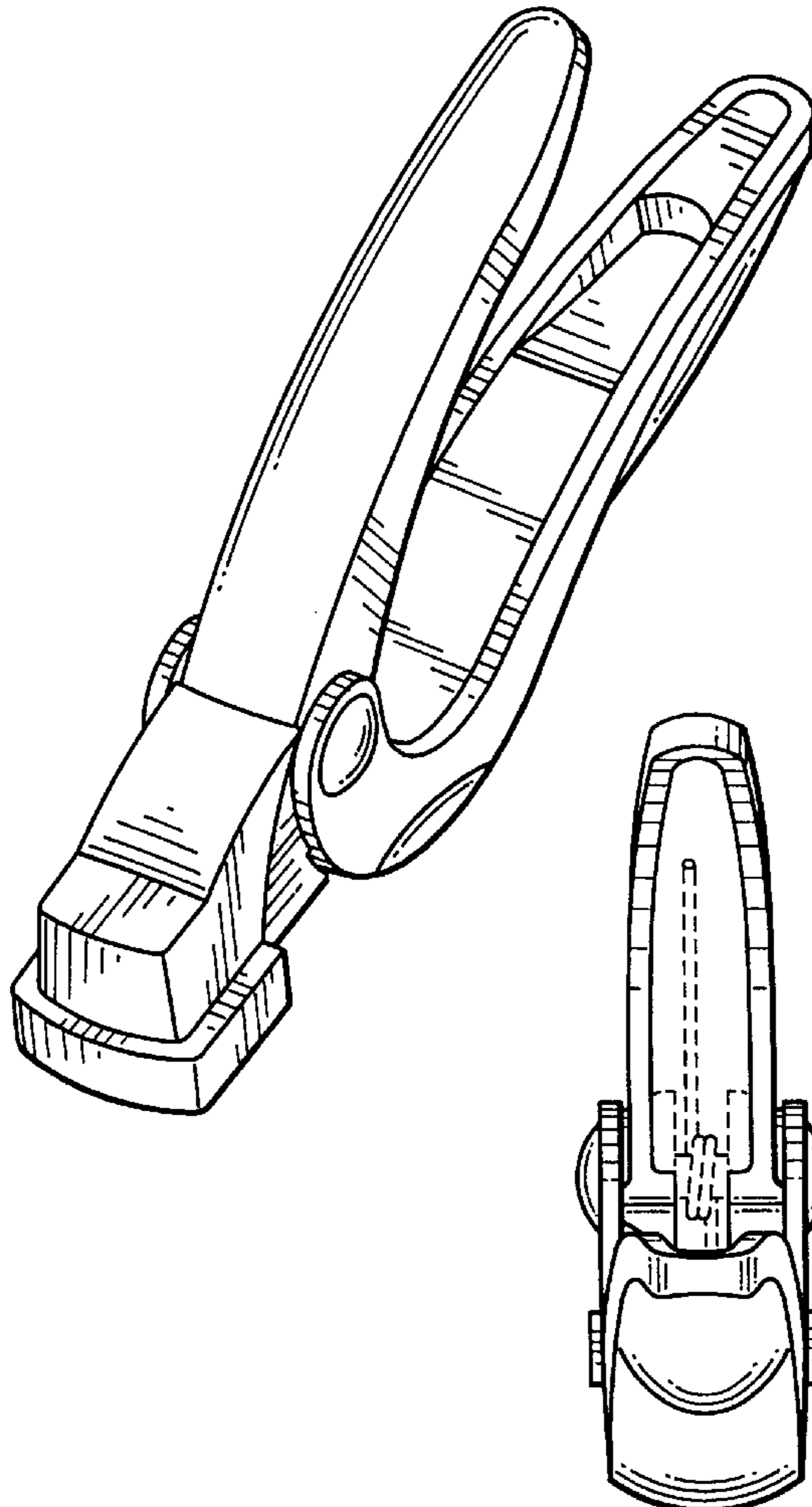
The broken line showing the structures inside the upper handle are for illustrative purposes only and forms no part of the claimed design.

[56] References Cited

U.S. PATENT DOCUMENTS

D. 78,652	5/1929	Parsons	D8/52
D. 286,091	10/1986	Hill	D28/60
650,869	6/1900	Redfern	132/75.5
861,836	7/1907	Havell	132/75.5 X
1,363,164	12/1920	Oesterwitz	30/28
1,841,847	1/1932	Peters	30/28
3,263,331	8/1966	Davis	30/26 X

1 Claim, 2 Drawing Sheets



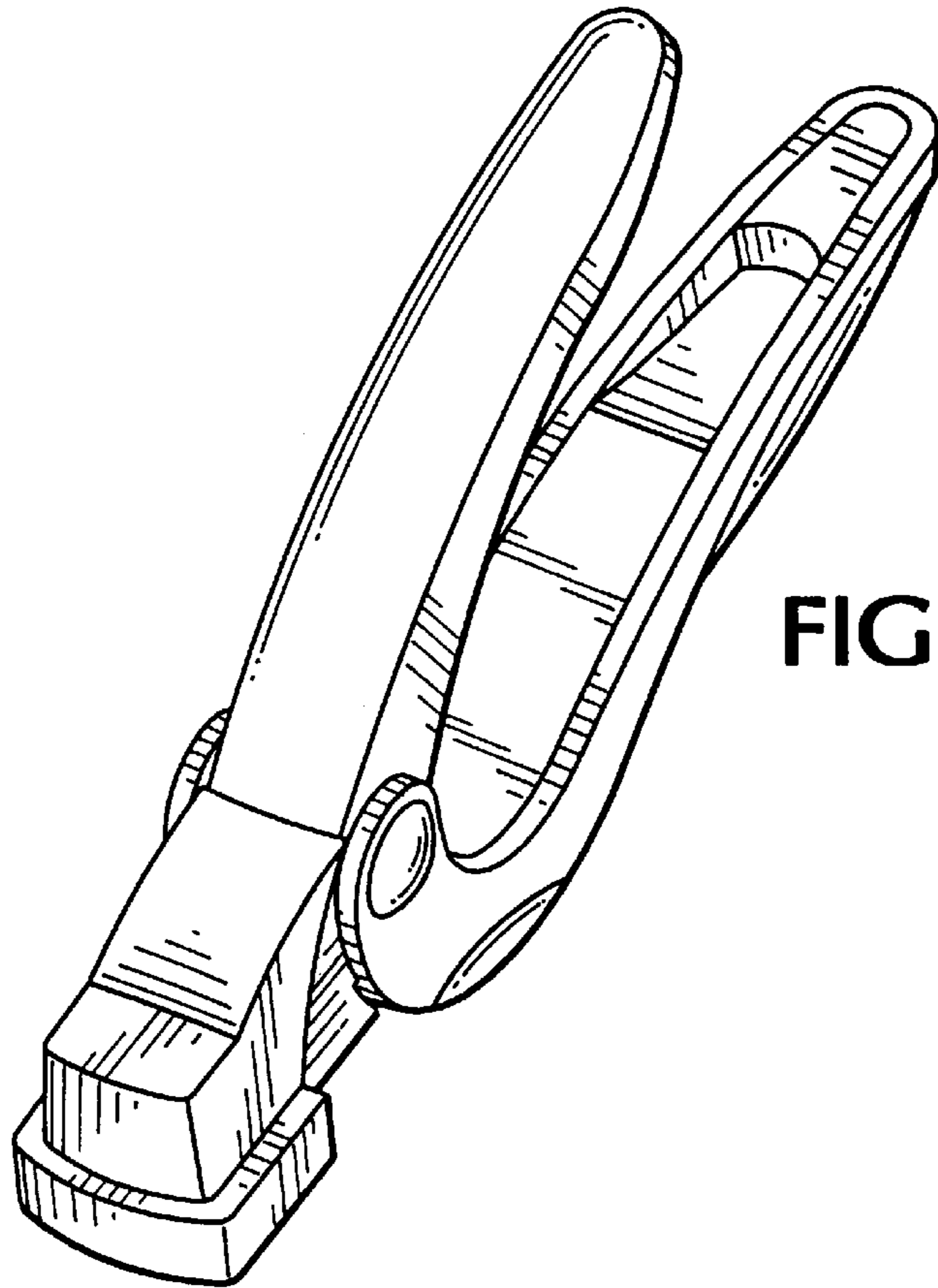


FIG. 1

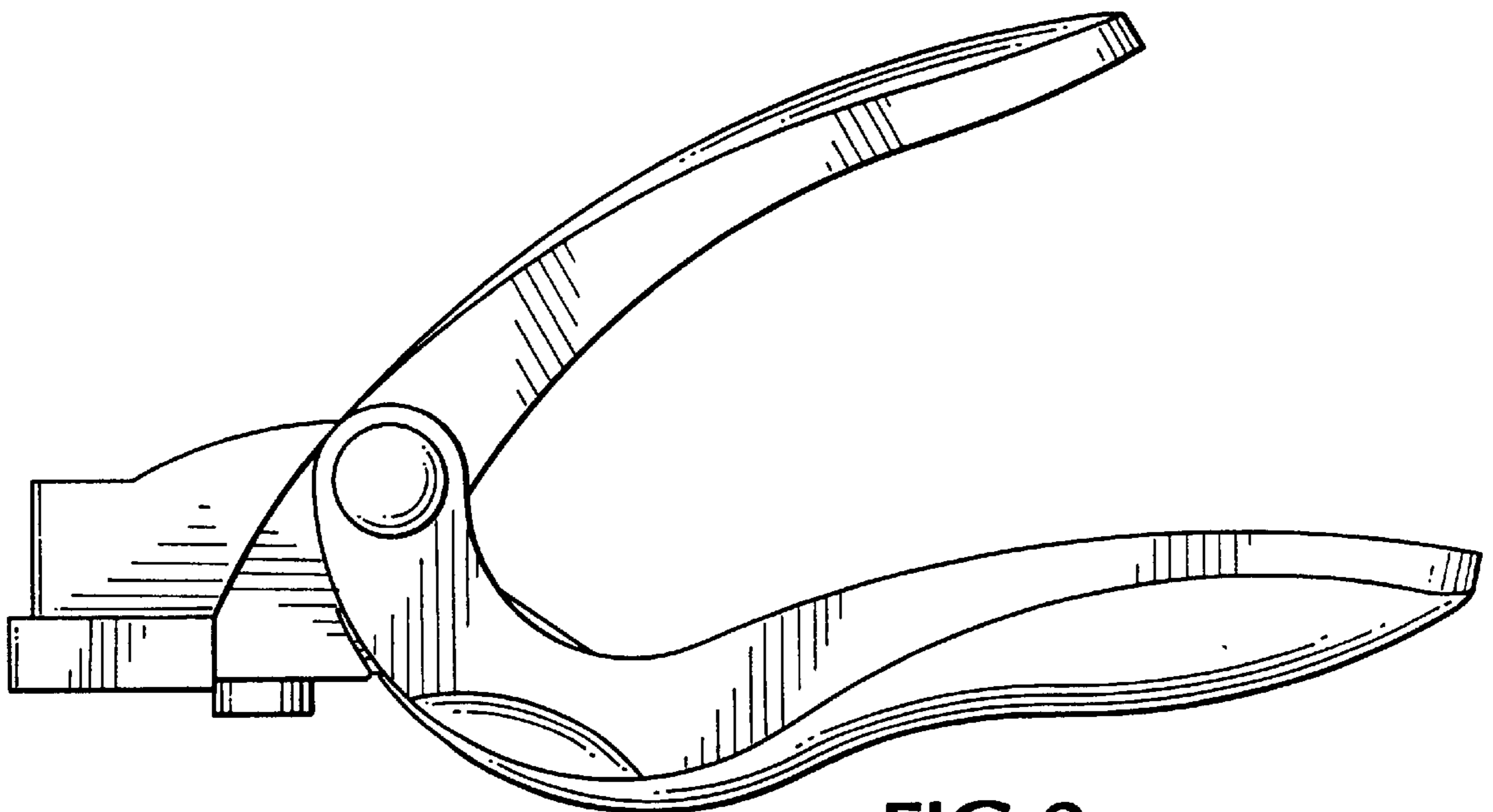


FIG. 2

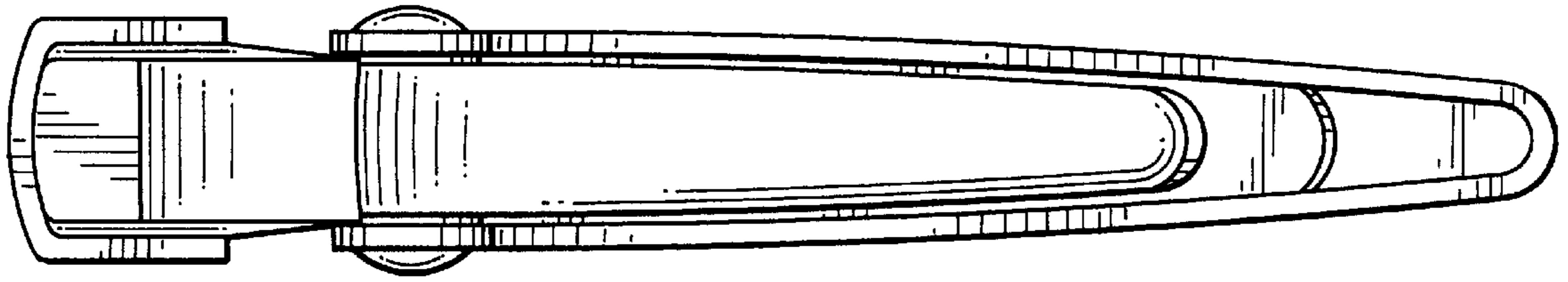


FIG.3

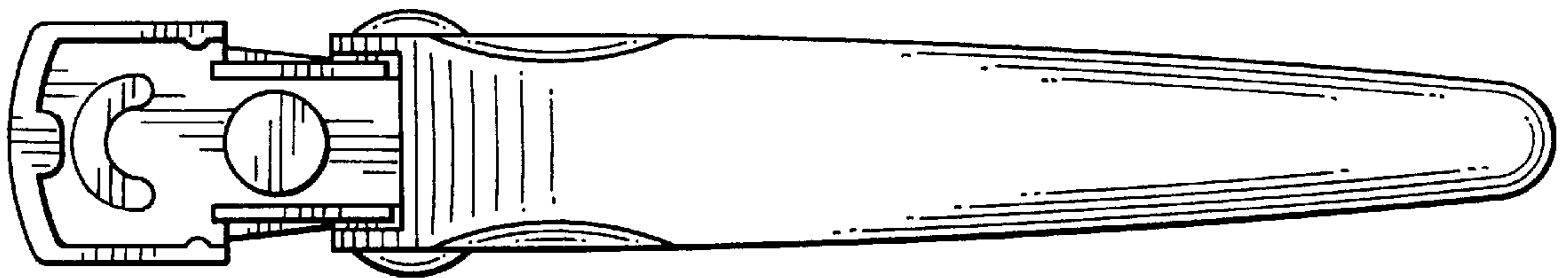


FIG.4

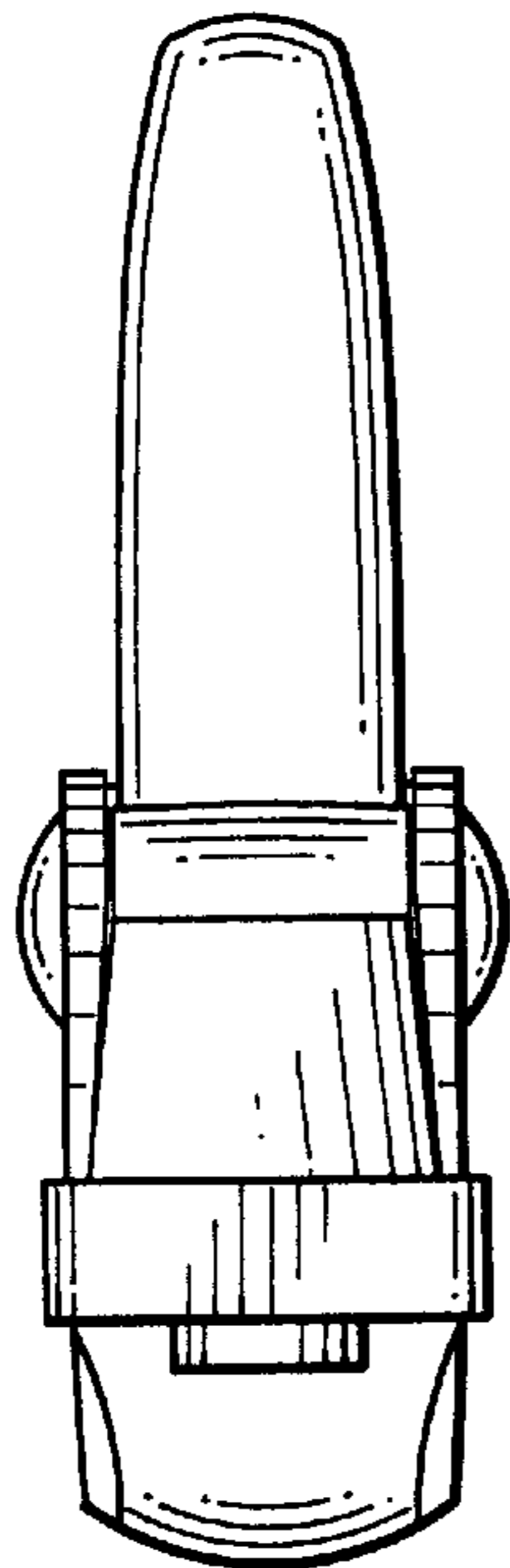


FIG.5

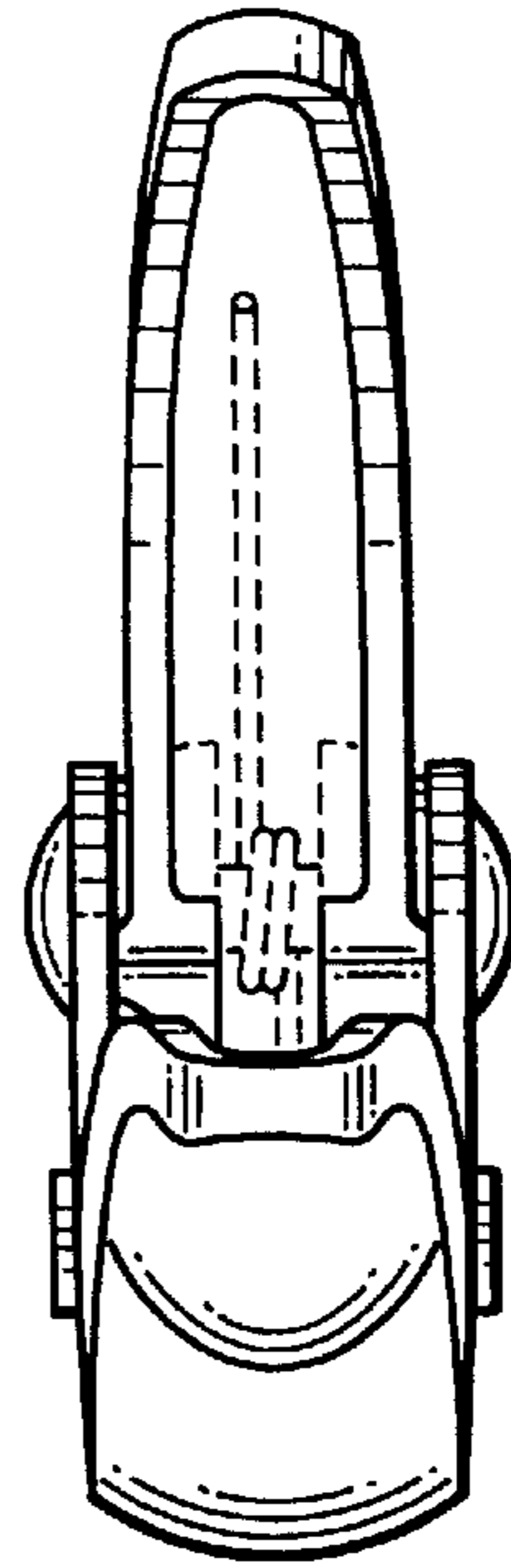


FIG.6