



US00D402399S

United States Patent [19] Fowler

[11] **Patent Number:** **Des. 402,399**

[45] **Date of Patent:** ****Dec. 8, 1998**

[54] **GLOW-IN-THE-DARK ASHTRAY**

[76] Inventor: **Joy D. Fowler**, 1 Gentry Rd., Fountain Inn, S.C. 29644

[**] Term: **14 Years**

[21] Appl. No.: **63,030**

[22] Filed: **Nov. 22, 1996**

[51] **LOC (6) Cl.** **27-03**

[52] **U.S. Cl.** **D27/135; D27/134; D27/102**

[58] **Field of Search** **D27/102, 103, D27/122, 124, 125, 126, 133, 134, 135; 131/240.1, 235.1, 241, 242, 231**

[56] **References Cited**

U.S. PATENT DOCUMENTS

D. 295,450	4/1988	Iacovelli	D27/14
D. 357,765	4/1995	Roden	D27/106
4,210,953	7/1980	Stone	362/189
4,312,346	1/1982	Grigg	131/231
4,580,581	4/1986	Reece et al.	131/231
4,832,214	5/1989	Schrader et al.	215/11.1
4,856,537	8/1989	Liu	131/240.1
4,996,995	3/1991	Kojima	131/238
5,111,833	5/1992	Leu	131/231

Primary Examiner—Susan J. Lucas
Assistant Examiner—Jennifer Rivard

Attorney, Agent, or Firm—Cort Flint; Robert R. Reed

[57] **CLAIM**

An ornamental design for a glow-in the-dark ashtray, as shown and described.

DESCRIPTION

FIG. 1 is a perspective view of a glow-in-the dark ashtray showing my new design;

FIG. 2 is a side elevation view of FIG. 1, all sides being a mirror image thereof;

FIG. 3 is a top plan view of a second embodiment of my design;

FIG. 4 is a side elevation view of FIG. 3, all sides being a mirror image thereof;

FIG. 5 is a partial, cross-sectional view of FIG. 2;

FIG. 6 is a partial, cross-sectional view of FIG. 3; and,

FIG. 7 is a partial, cross-sectional view of the third embodiment of my design.

The third embodiment differs from the first embodiment only by the lip of the glow-in-the-dark ashtray. The stippled, horizontal line shading is used to indicate an opaque material having phosphorescence. The parallel diagonal lines are used to indicate a transparent surface. The cross-section views are shown for convenience of illustration.

1 Claim, 4 Drawing Sheets

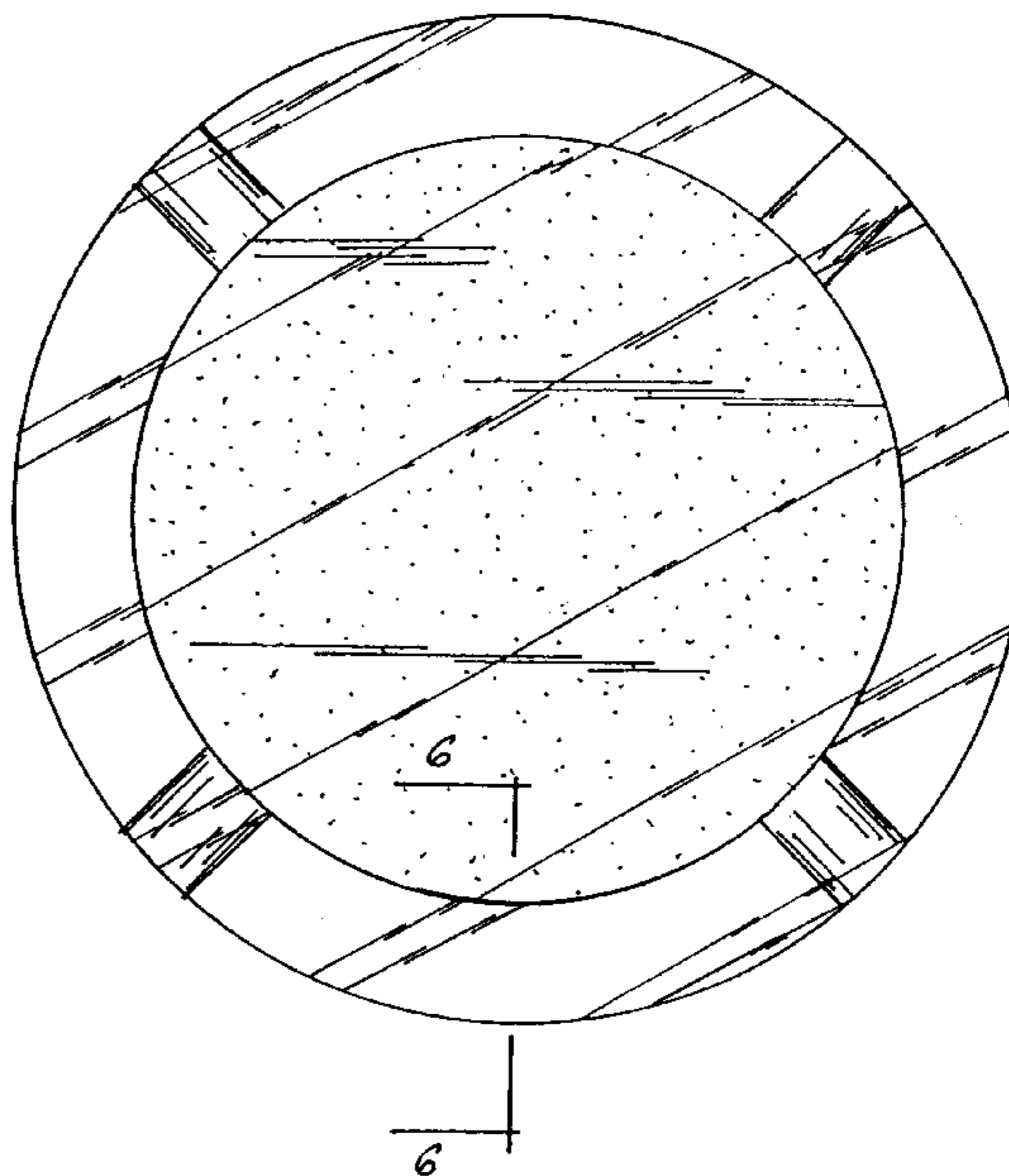
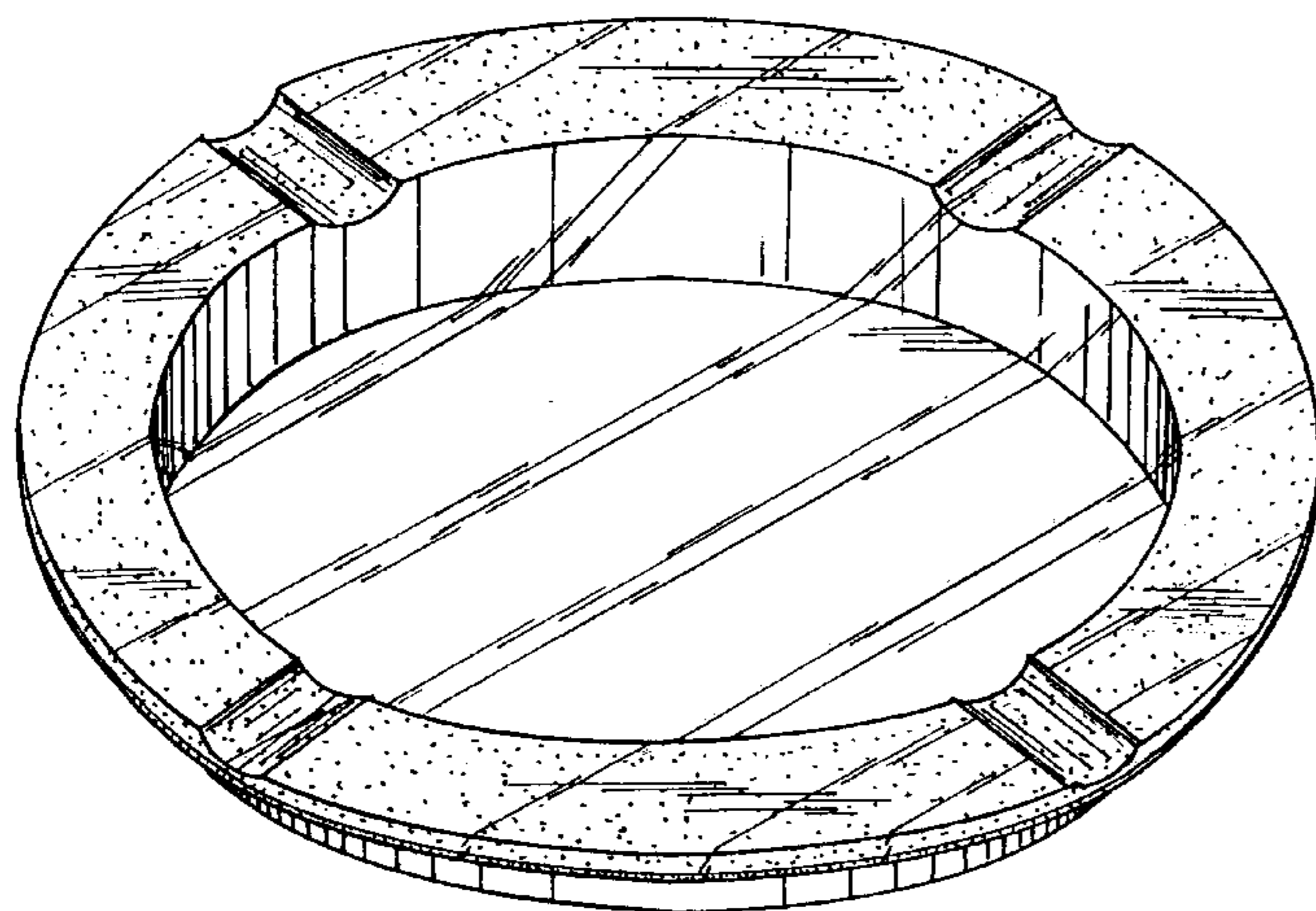


Fig. 1

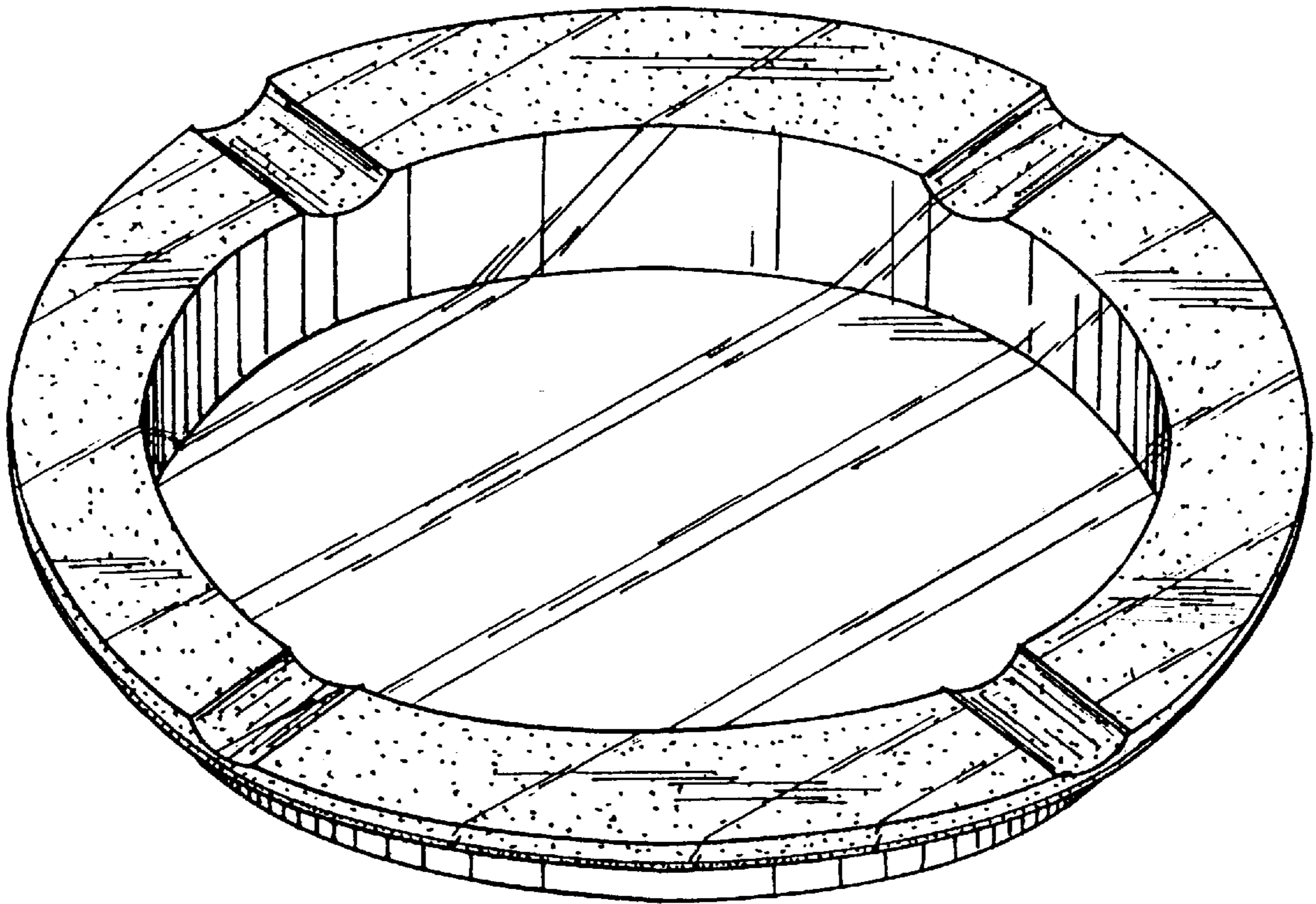


Fig. 2

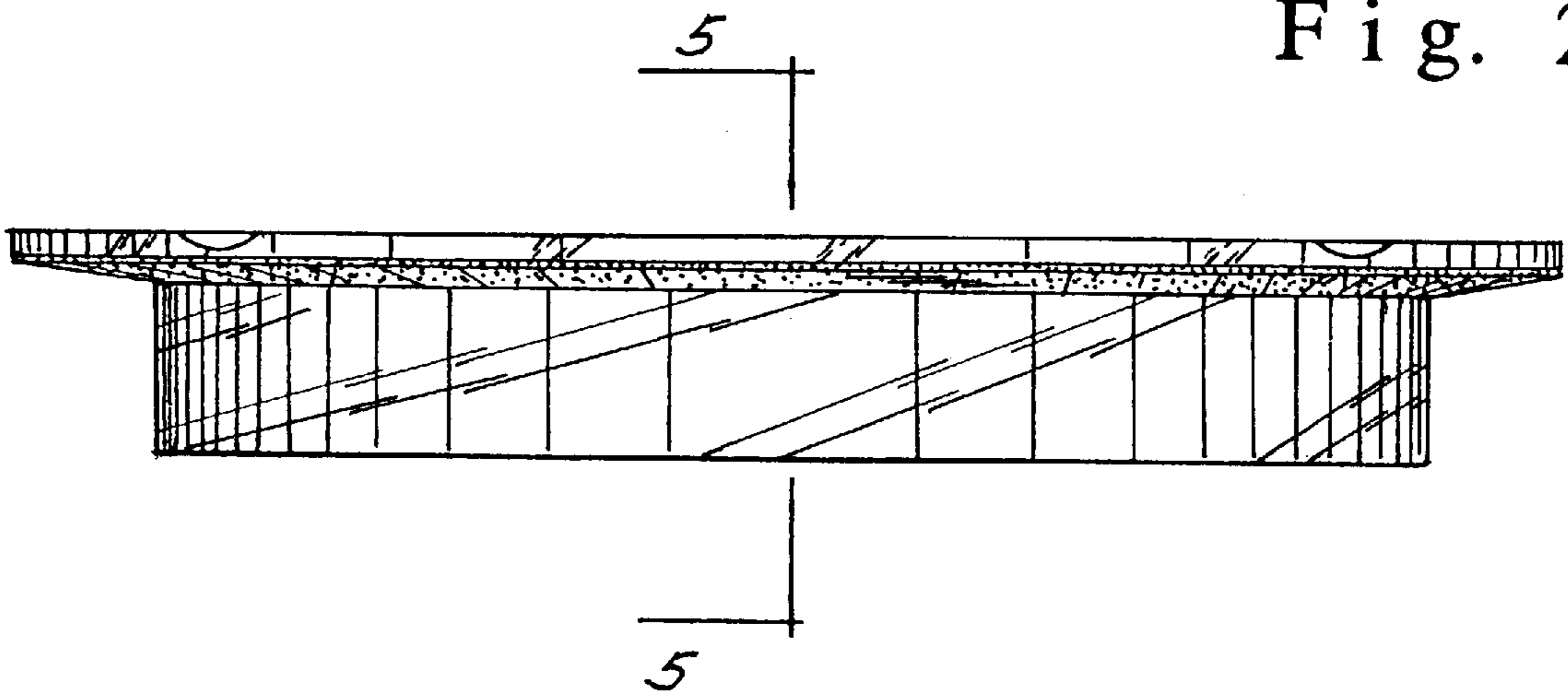


Fig. 3

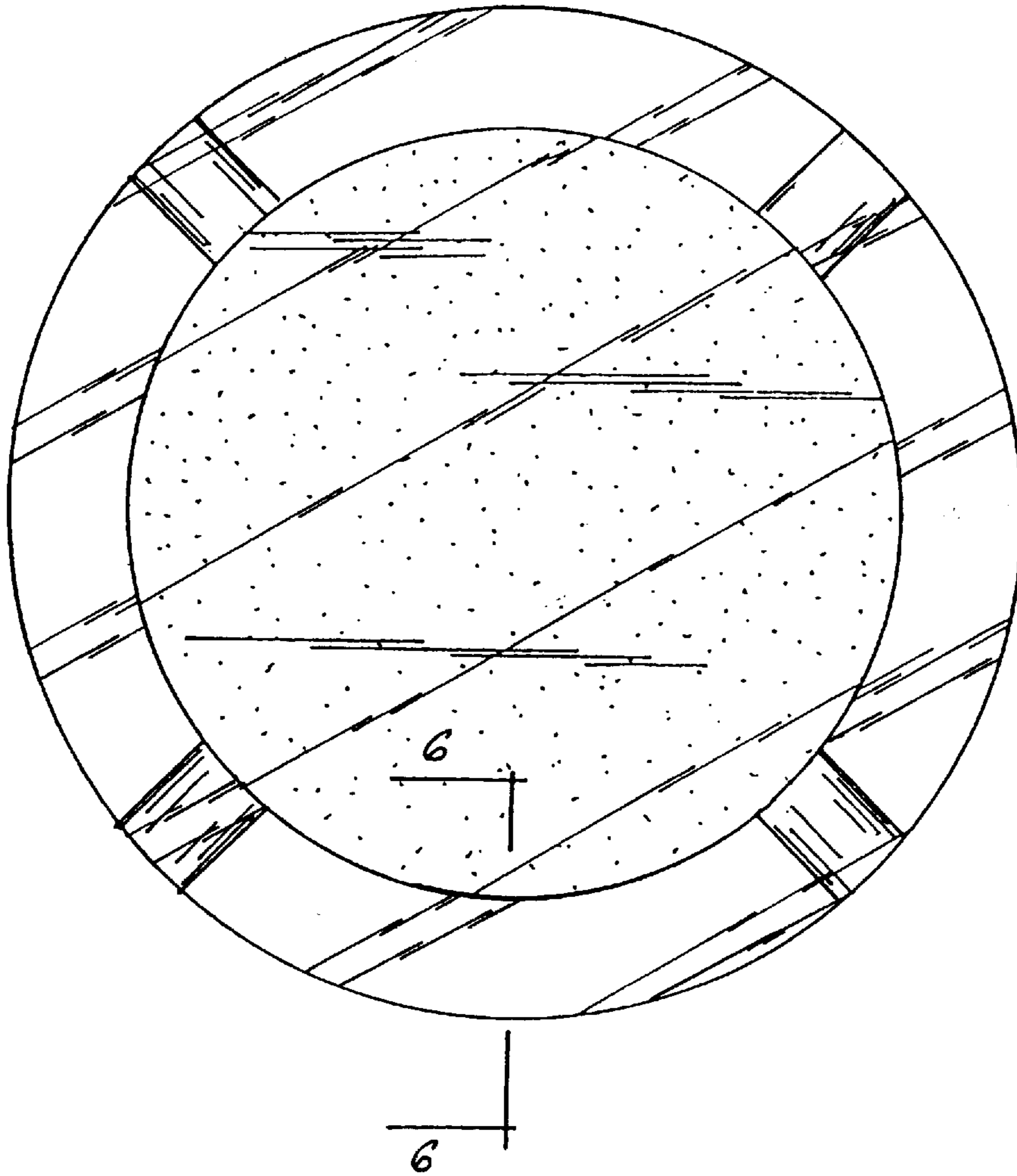


Fig. 4

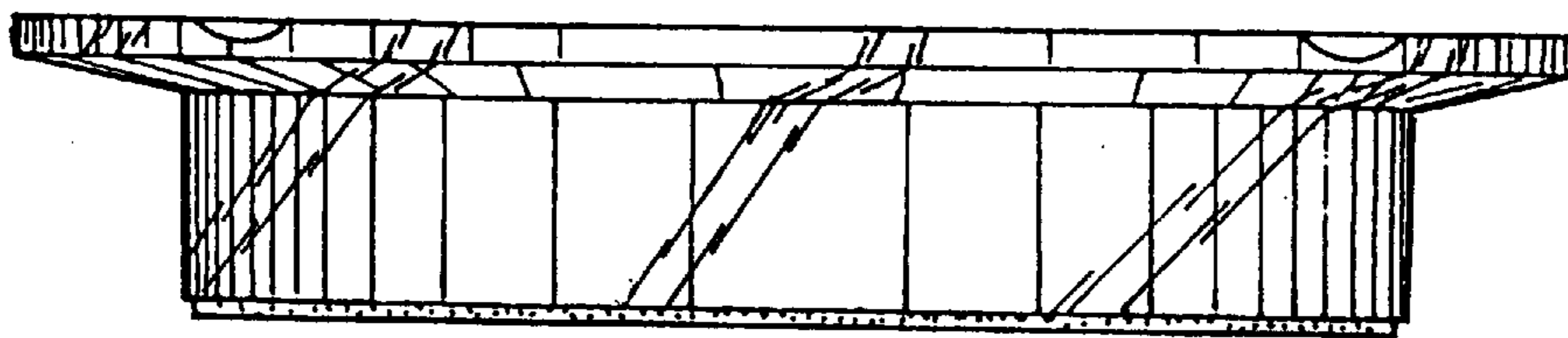


Fig. 5

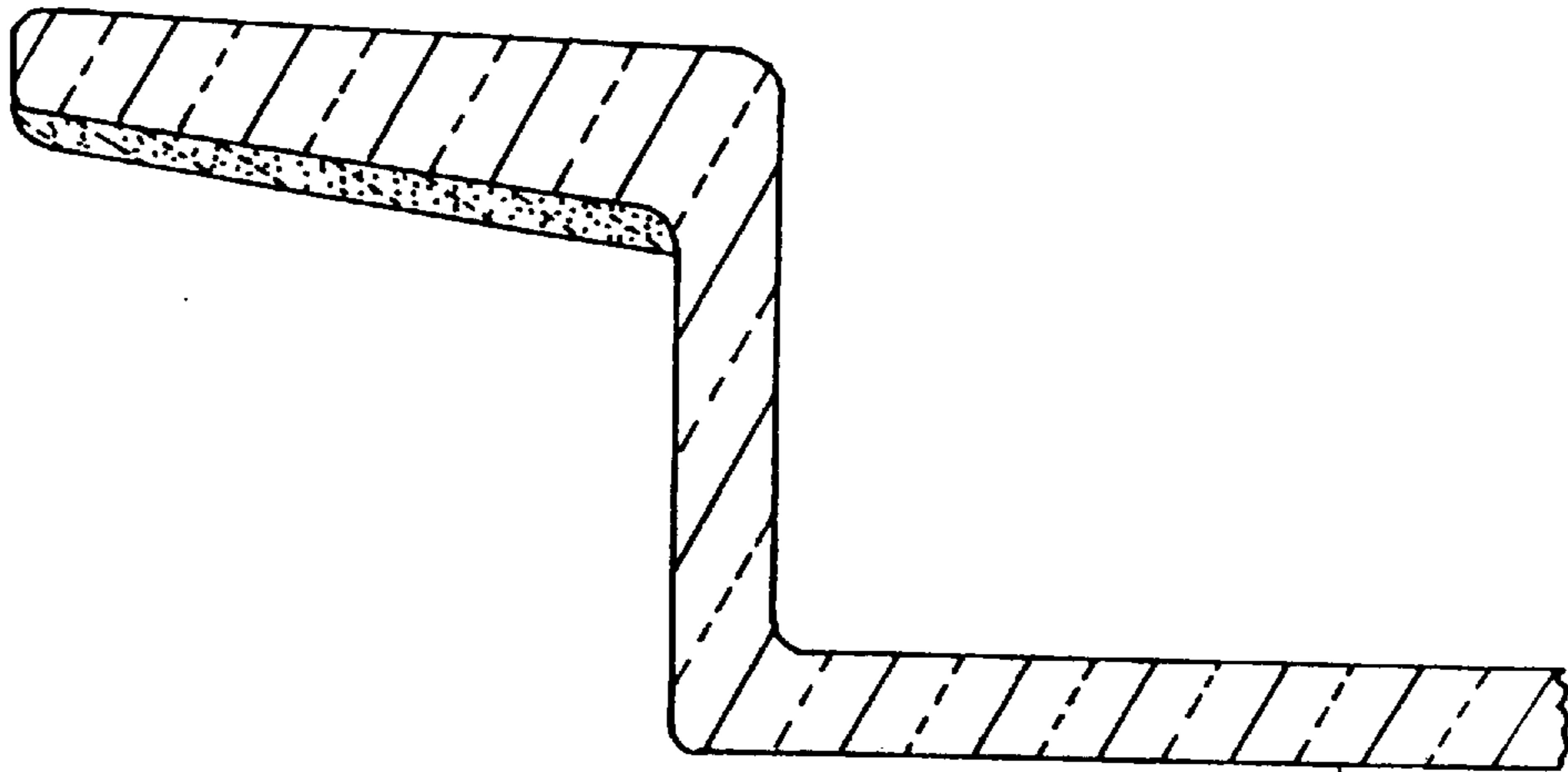


Fig. 6

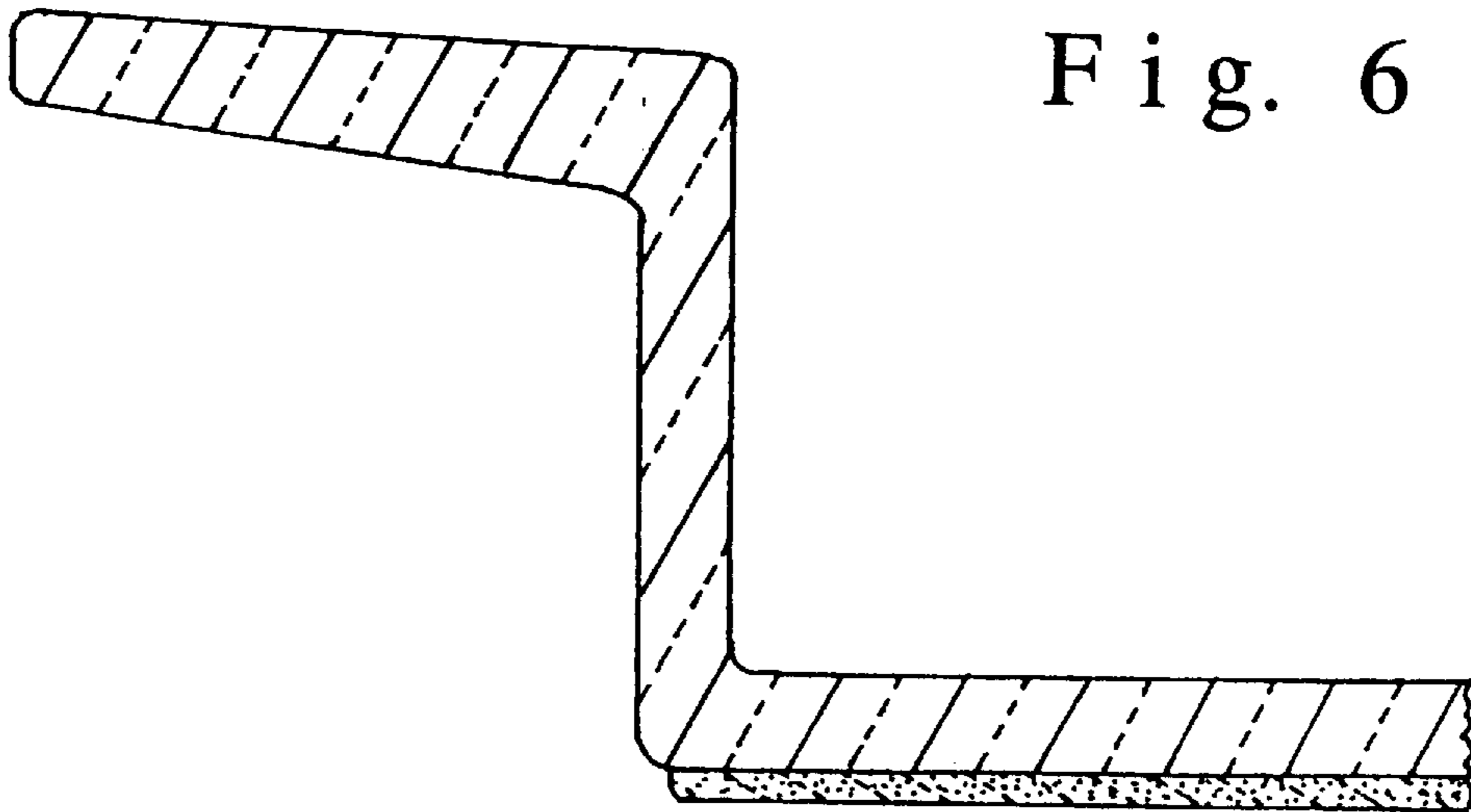


Fig. 7

