



US00D402396S

United States Patent [19]

Protz, Jr.

[11] **Patent Number: Des. 402,396**

[45] **Date of Patent: **Dec. 8, 1998**

[54] **CHRISTMAS BULB LIGHT HOLDING CLIP**

[75] Inventor: **William F. Protz, Jr.**, Lake Forest, Ill.

[73] Assignee: **Santa's Best**, Northfield, Ill.

[**] Term: **14 Years**

[21] Appl. No.: **78,478**

[22] Filed: **Oct. 27, 1997**

[51] **LOC (6) Cl.** **26-99**

[52] **U.S. Cl.** **D26/138; D8/395**

[58] **Field of Search** **D8/371, 394-396; 248/65, 229, 74.1-74.3; 24/339, 336; D26/138**

[56] **References Cited**

U.S. PATENT DOCUMENTS

3,521,332	7/1970	Kramer	248/74.2
5,473,796	12/1995	Fusillo	24/545
5,609,415	3/1997	Protz, Jr.	D8/395

Primary Examiner—Holly Baynham

Attorney, Agent, or Firm—Emrich & Dithmar

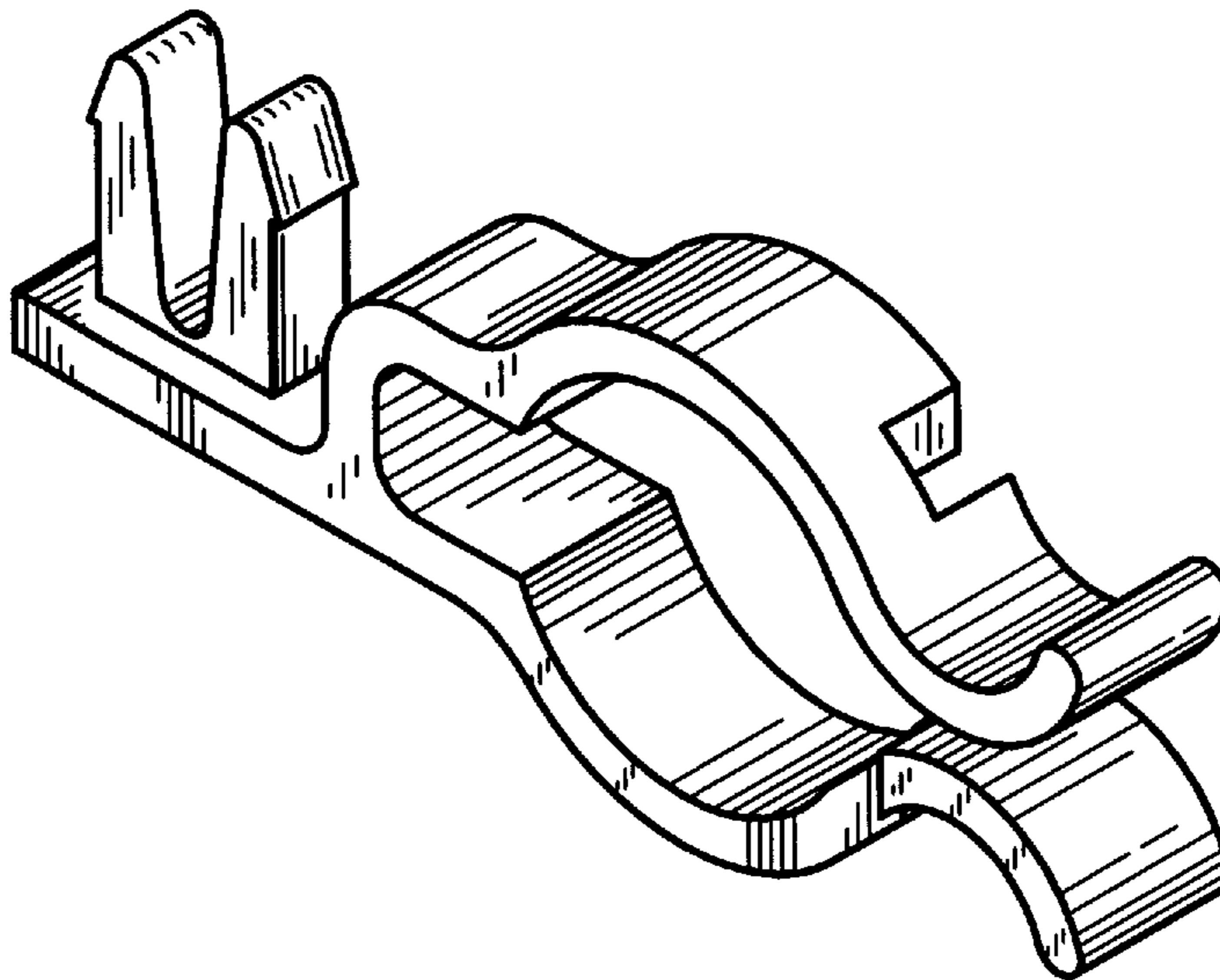
[57] **CLAIM**

The ornamental design for the Christmas bulb light holding clip, as shown and described.

DESCRIPTION

FIG. 1 is a perspective view of the clip in the open position; FIG. 2 is a top view of the clip illustrated in FIG. 1; FIG. 3 is a front elevational view of the clip illustrated in FIG. 1; FIG. 4 is a right end elevational view of the clip illustrated in FIG. 1; FIG. 5 is a perspective view like FIG. 1 showing the clip of my invention in the closed position adapted to hold a mini bulb; FIG. 6 is a top view of the clip illustrated in FIG. 5; FIG. 7 is a front elevational view of the clip illustrated in FIG. 5; and, FIG. 8 is a right end elevational view of the clip illustrated in FIG. 5.

1 Claim, 2 Drawing Sheets



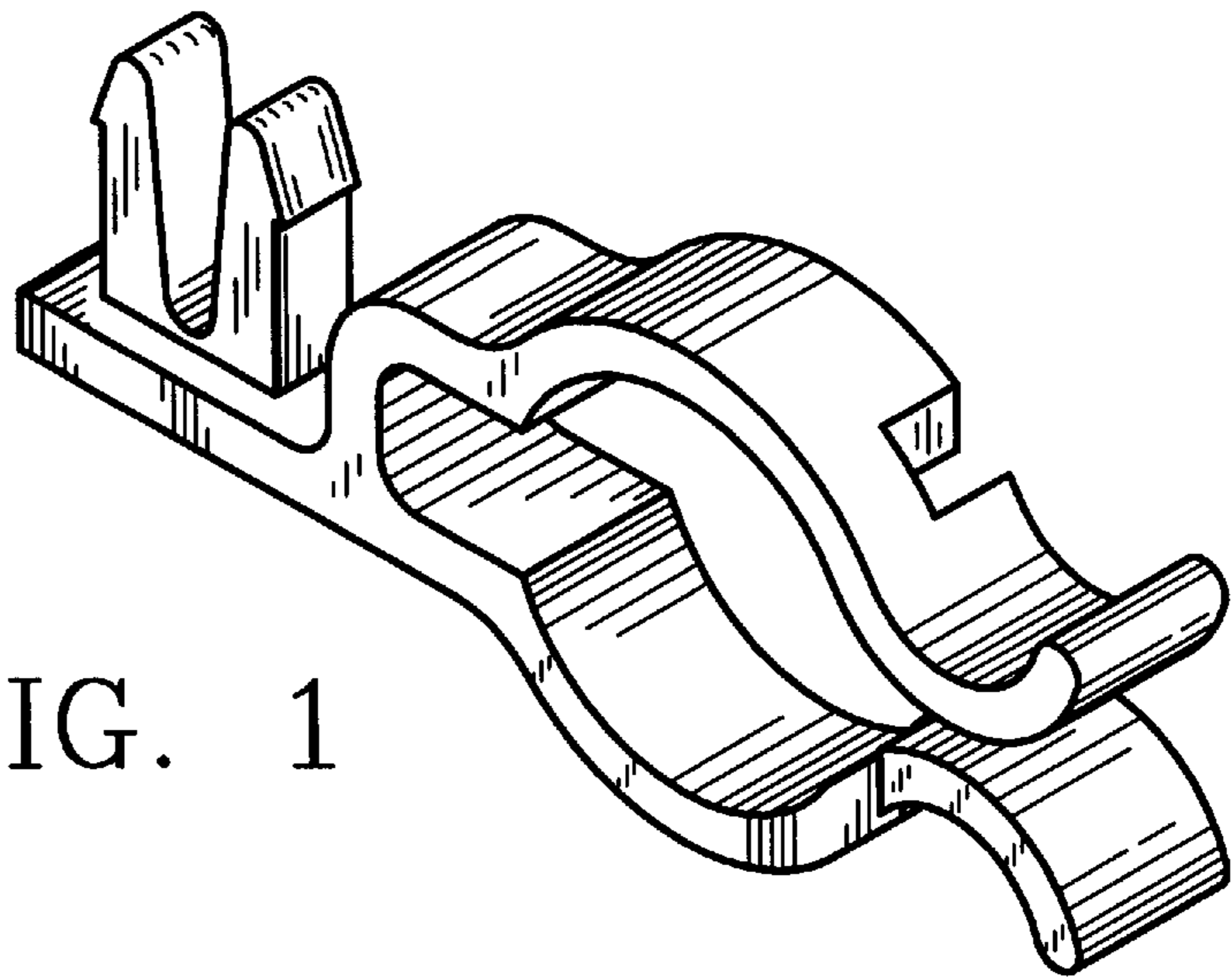


FIG. 1

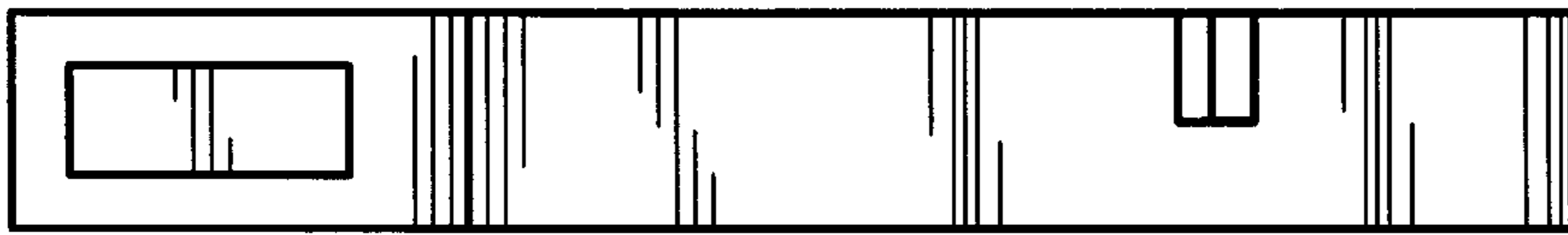


FIG. 2

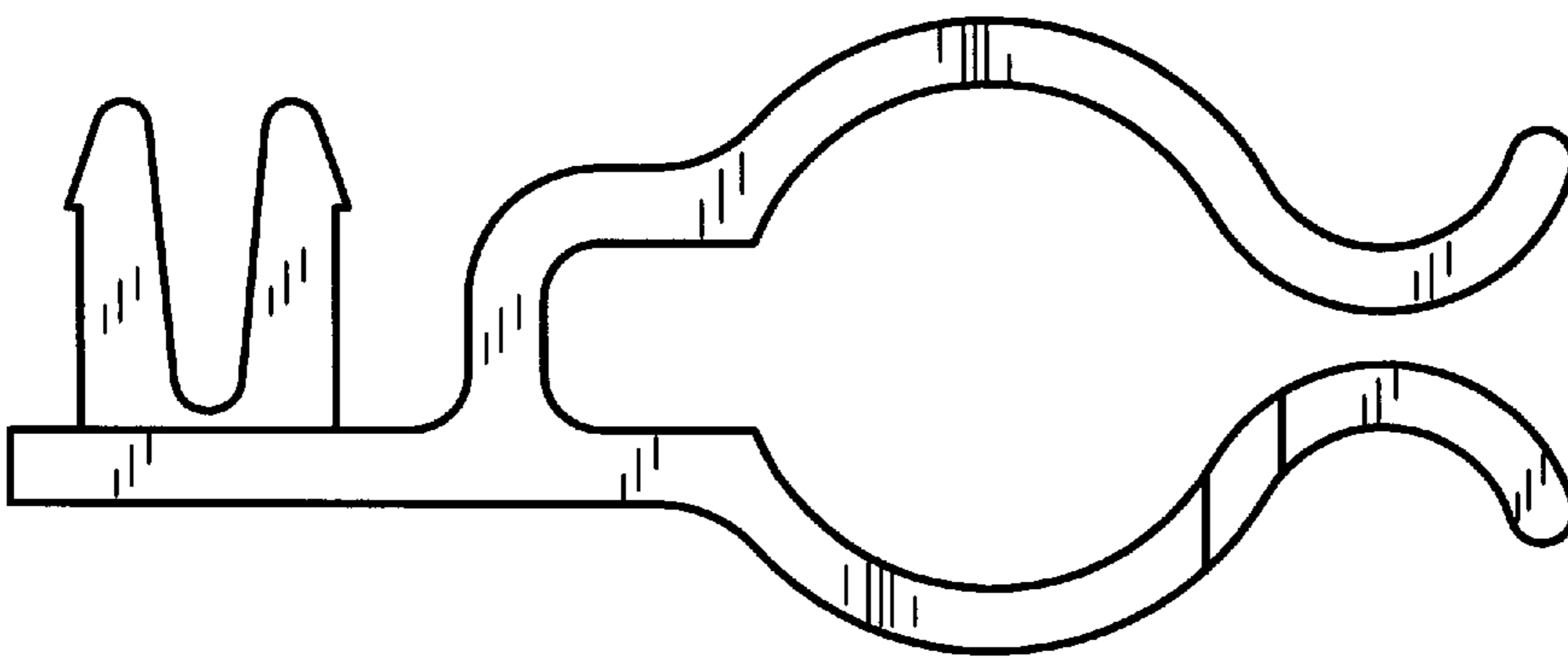


FIG. 3

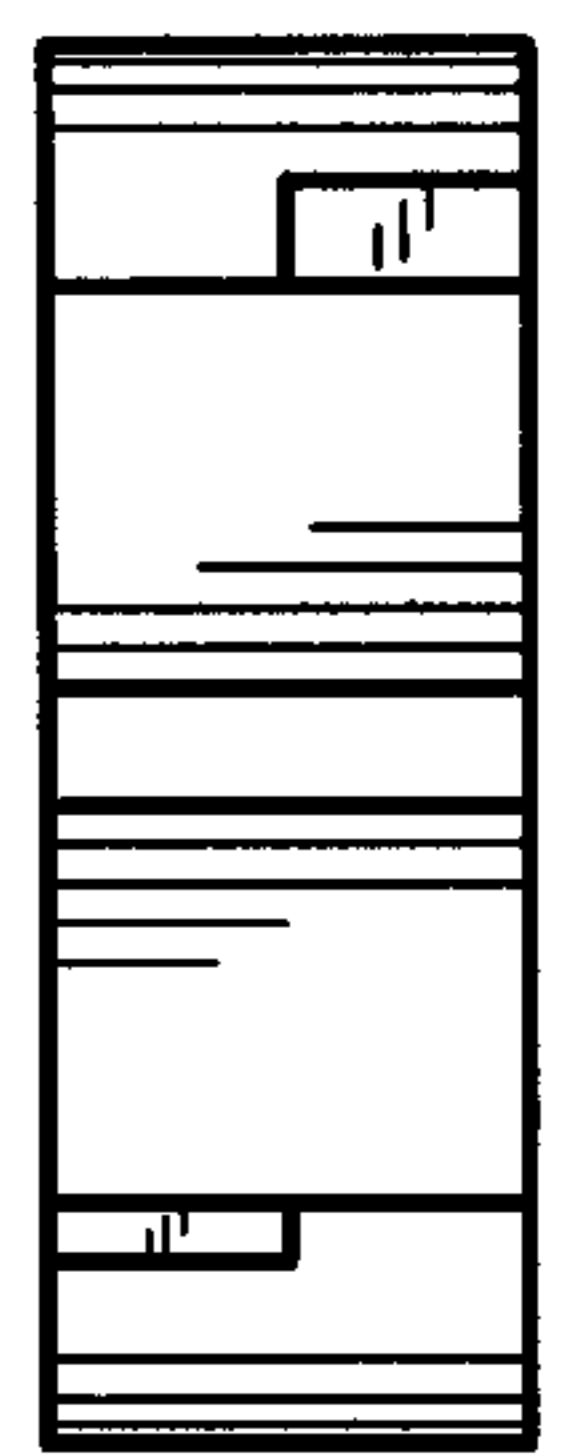


FIG. 4

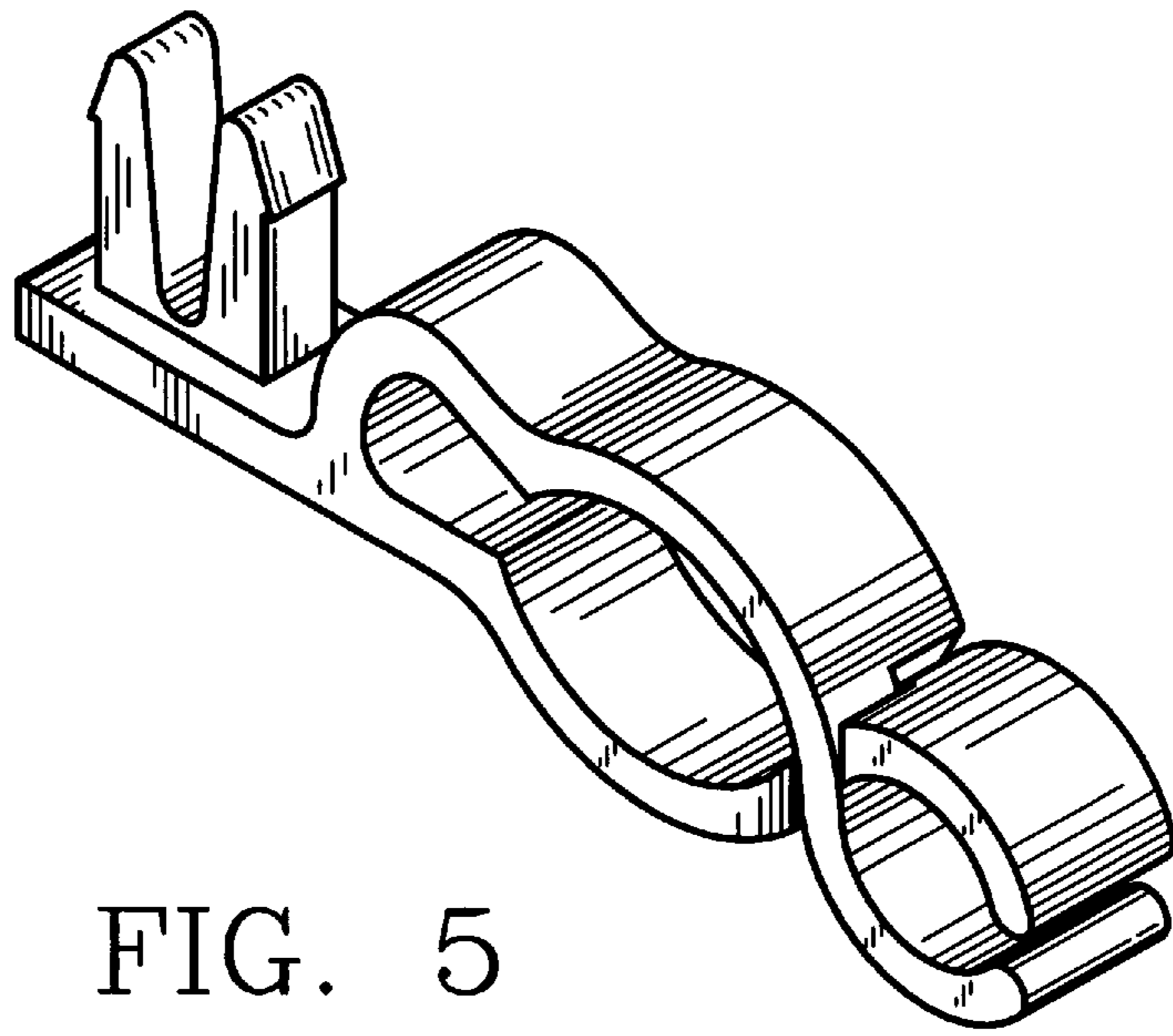


FIG. 5

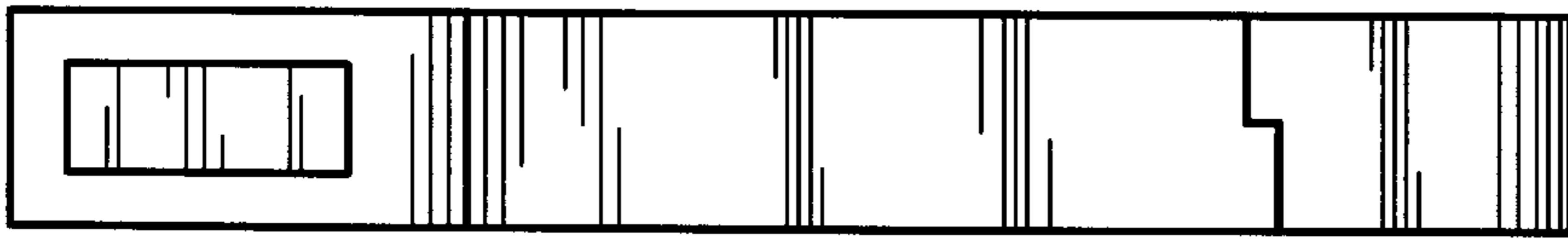


FIG. 6

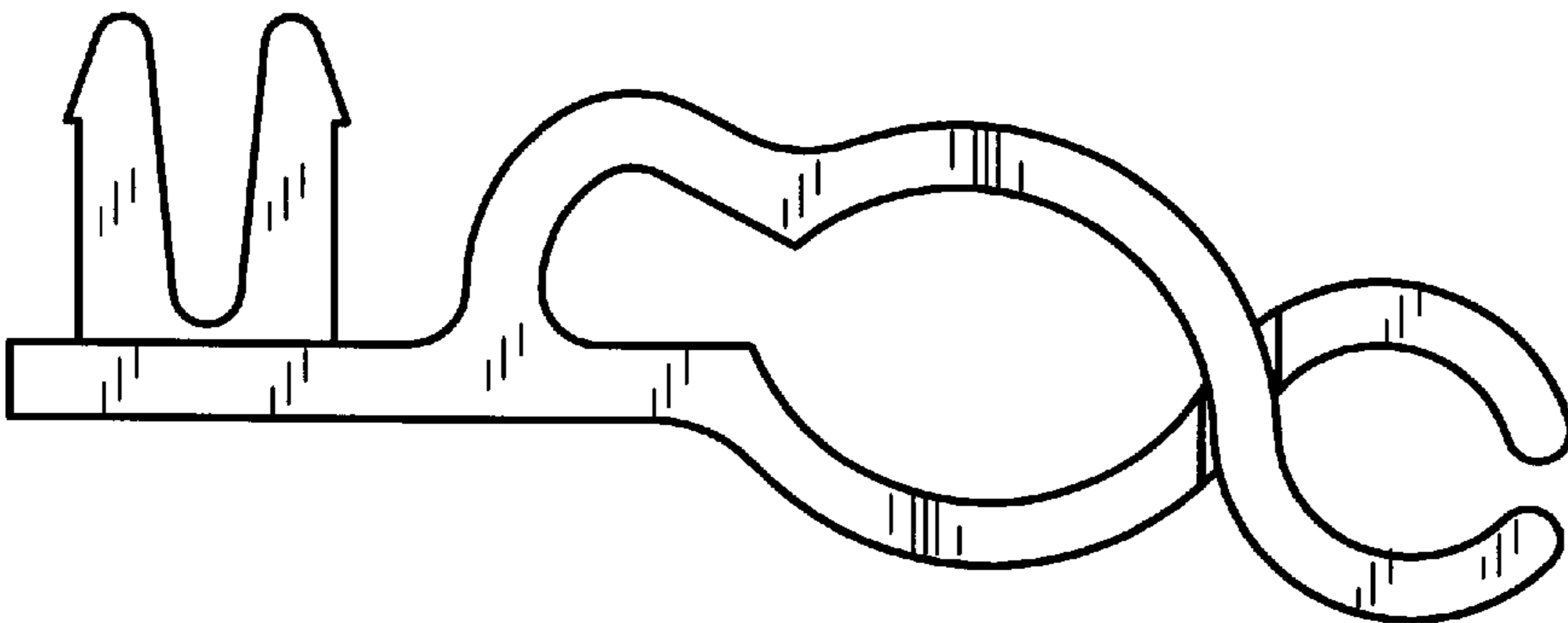


FIG. 7

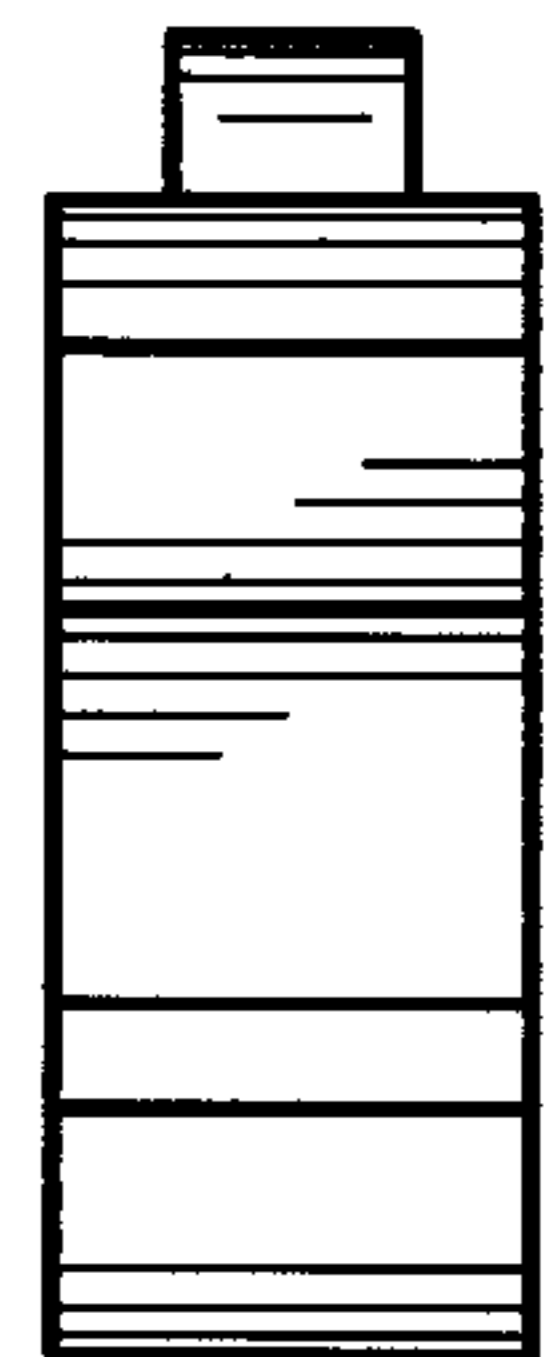


FIG. 8