



US00D402390S

United States Patent [19]

Smedley et al.

[11] Patent Number: Des. 402,390

[45] Date of Patent: **Dec. 8, 1998

[54] MULTIPURPOSE DECORATIVE LAMP

[75] Inventors: **Andrew D. Smedley; Dmitry Azrikan,**
both of Kalamazoo, Mich.

[73] Assignee: **The Board of Trustees of Western
Michigan University,** Kalamazoo,
Mich.

[**] Term: **14 Years**

[21] Appl. No.: **79,692**

[22] Filed: **Nov. 21, 1997**

[51] LOC (6) Cl. **26-05**

[52] U.S. Cl. **D26/87; D6/399; D6/482;
D6/486; D26/58; D26/106**

[58] Field of Search **D26/58, 93-112,
D26/87, 92; 362/410, 411, 412, 127; D6/399,
482, 486**

[56] References Cited

U.S. PATENT DOCUMENTS

D. 178,612	8/1956	Morris	D26/58 X
D. 197,722	3/1964	Crawford	D6/482
D. 290,072	6/1987	Winzeler, III	D6/486
D. 330,476	10/1992	Gerber	D6/486
D. 332,539	1/1993	Loznikov	D6/486 X

OTHER PUBLICATIONS

Tre CI/Luce Vega lighting brochure, p. 2 wall lamp, Sep. 1988.

Primary Examiner—Susan J. Lucas
Attorney, Agent, or Firm—Flynn, Thiel, Boutell & Tanis,
P.C.

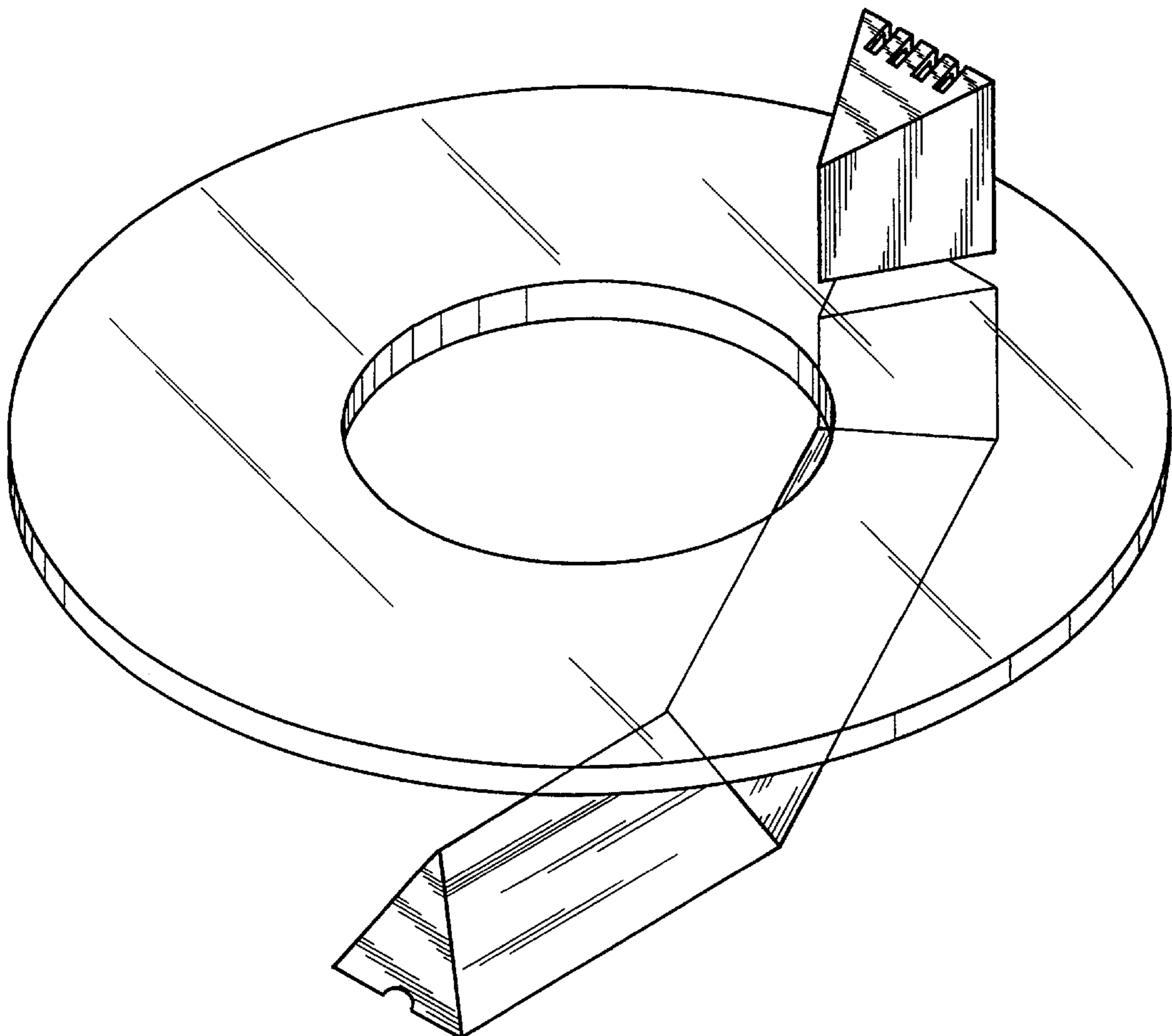
[57] CLAIM

The ornamental design of a multipurpose decorative lamp, as shown and described.

DESCRIPTION

FIG. 1 is a front perspective view of the multipurpose decorative lamp of our design;
FIG. 2 is a front view thereof when the light disc of the lamp is aligned in a horizontal orientation;
FIG. 3 is a right side view thereof, the left side view being a mirror image of the left side view;
FIG. 4 is a rear view thereof;
FIG. 5 is a top view thereof;
FIG. 6 is a bottom view thereof; and,
FIG. 7 is a front view of an alternate embodiment of the multipurpose decorative lamp wherein the base portion is not provided with a groove for housing a power cord, it being understood that the second embodiment is otherwise identical to the first embodiment.

1 Claim, 7 Drawing Sheets



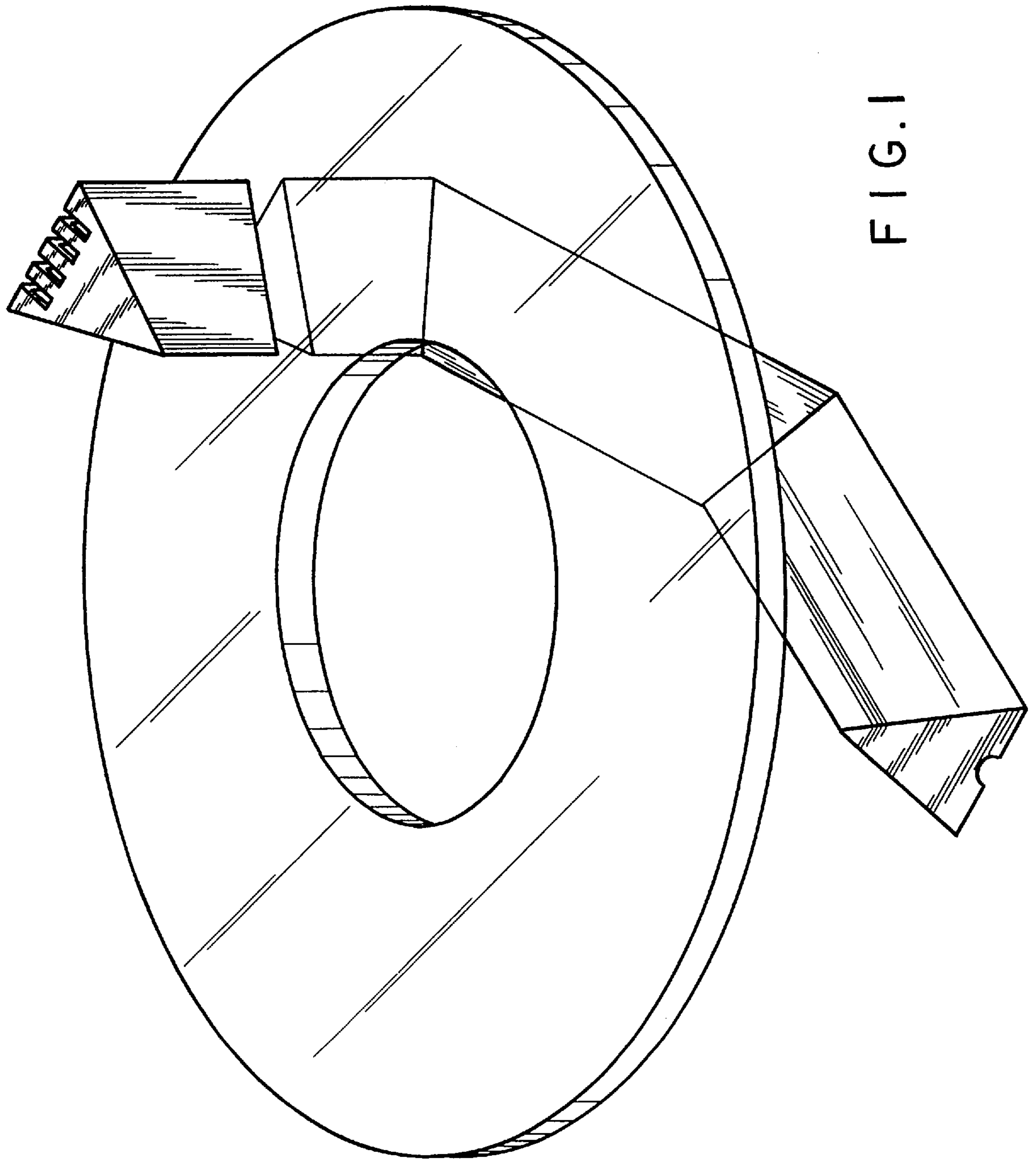


FIG. 1

FIG. 2

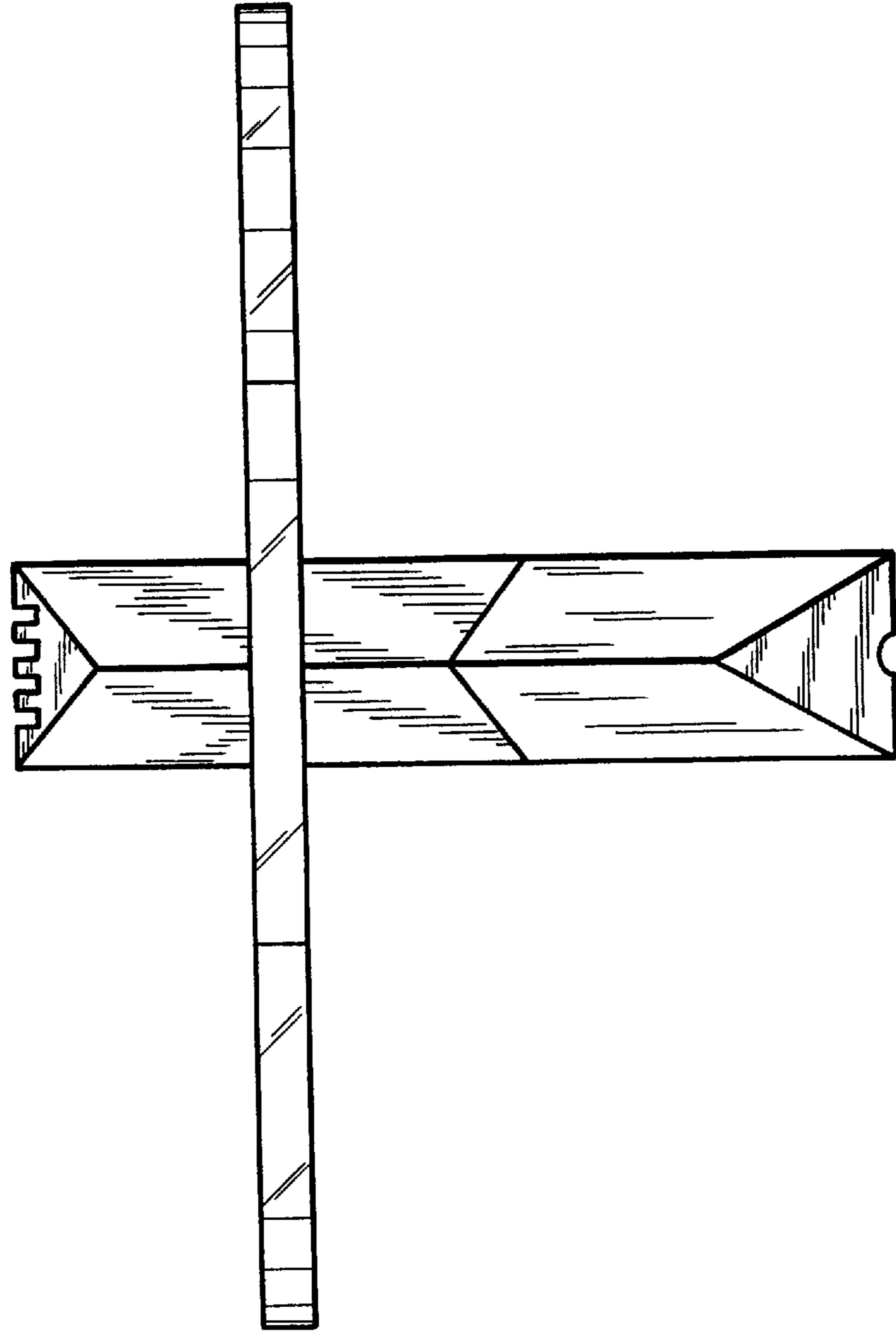


FIG. 3

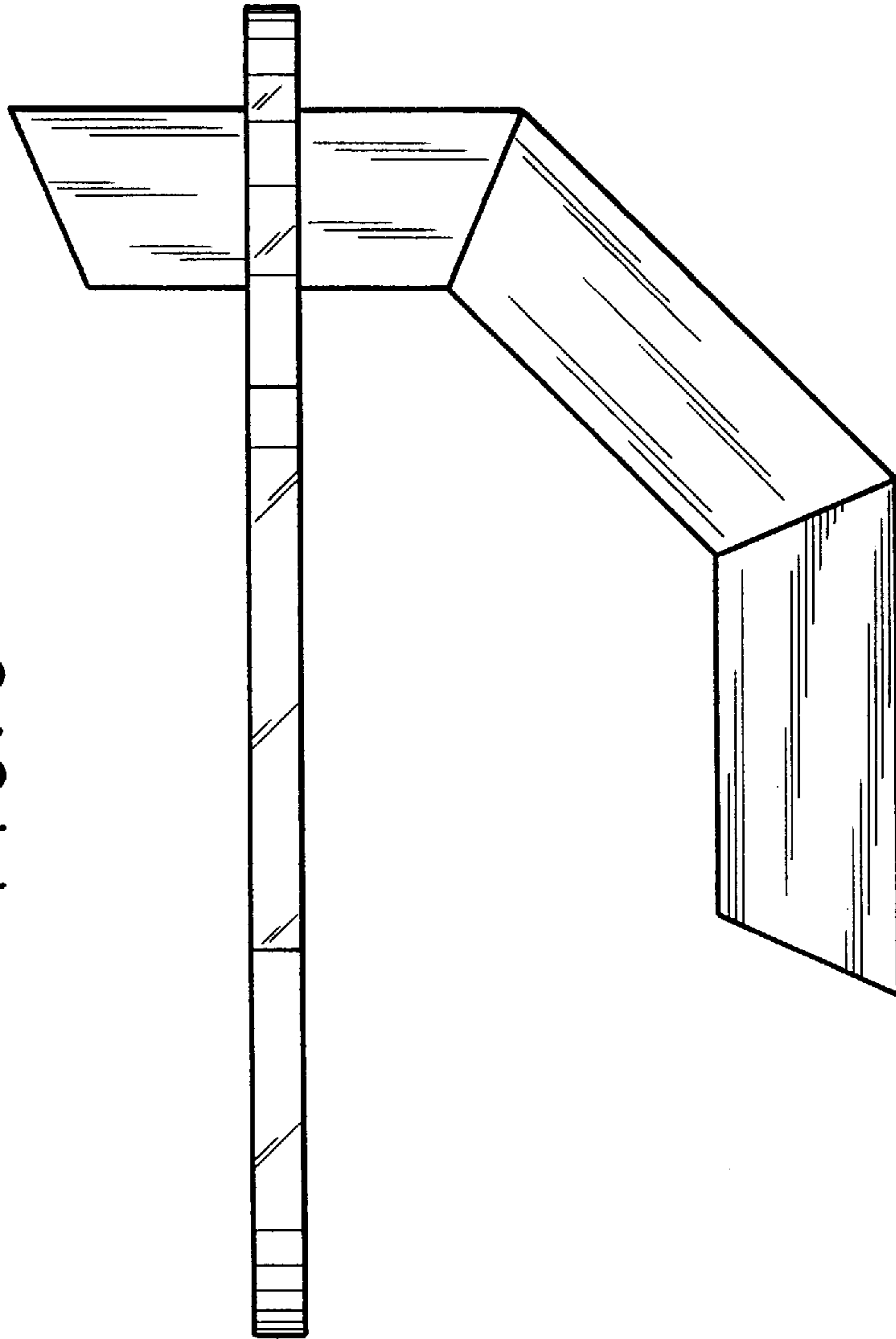


FIG. 4

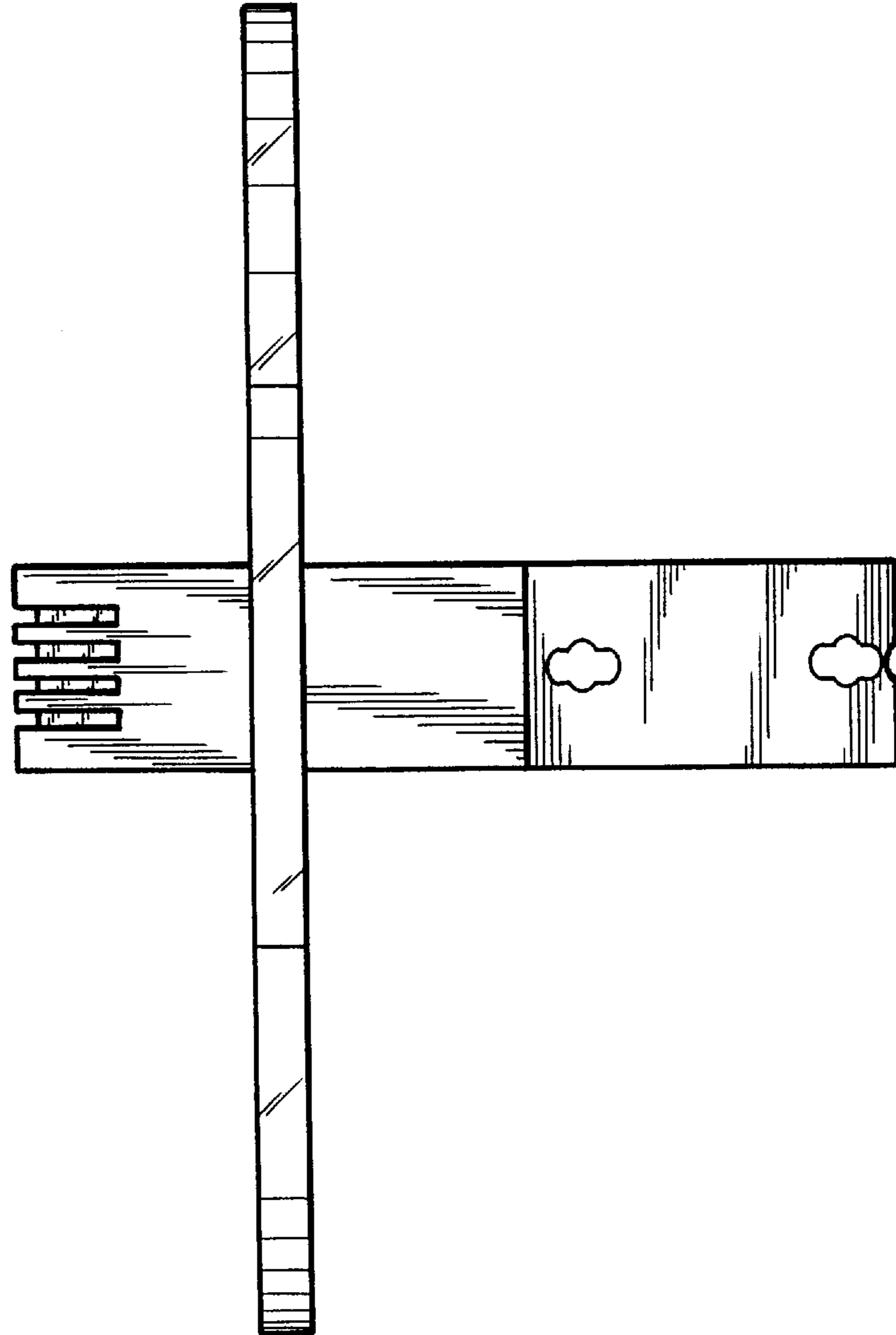


FIG. 5

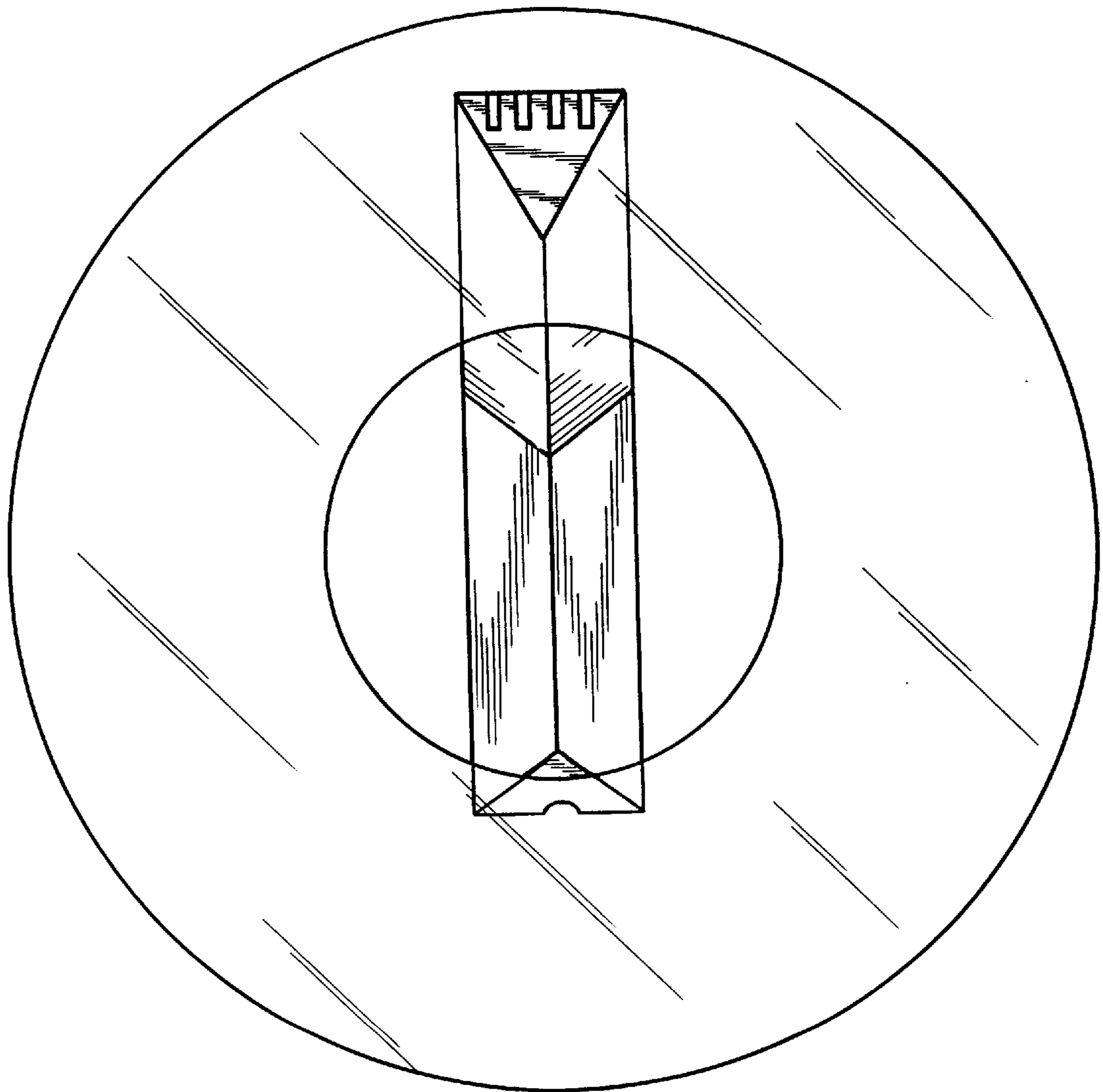


FIG. 6

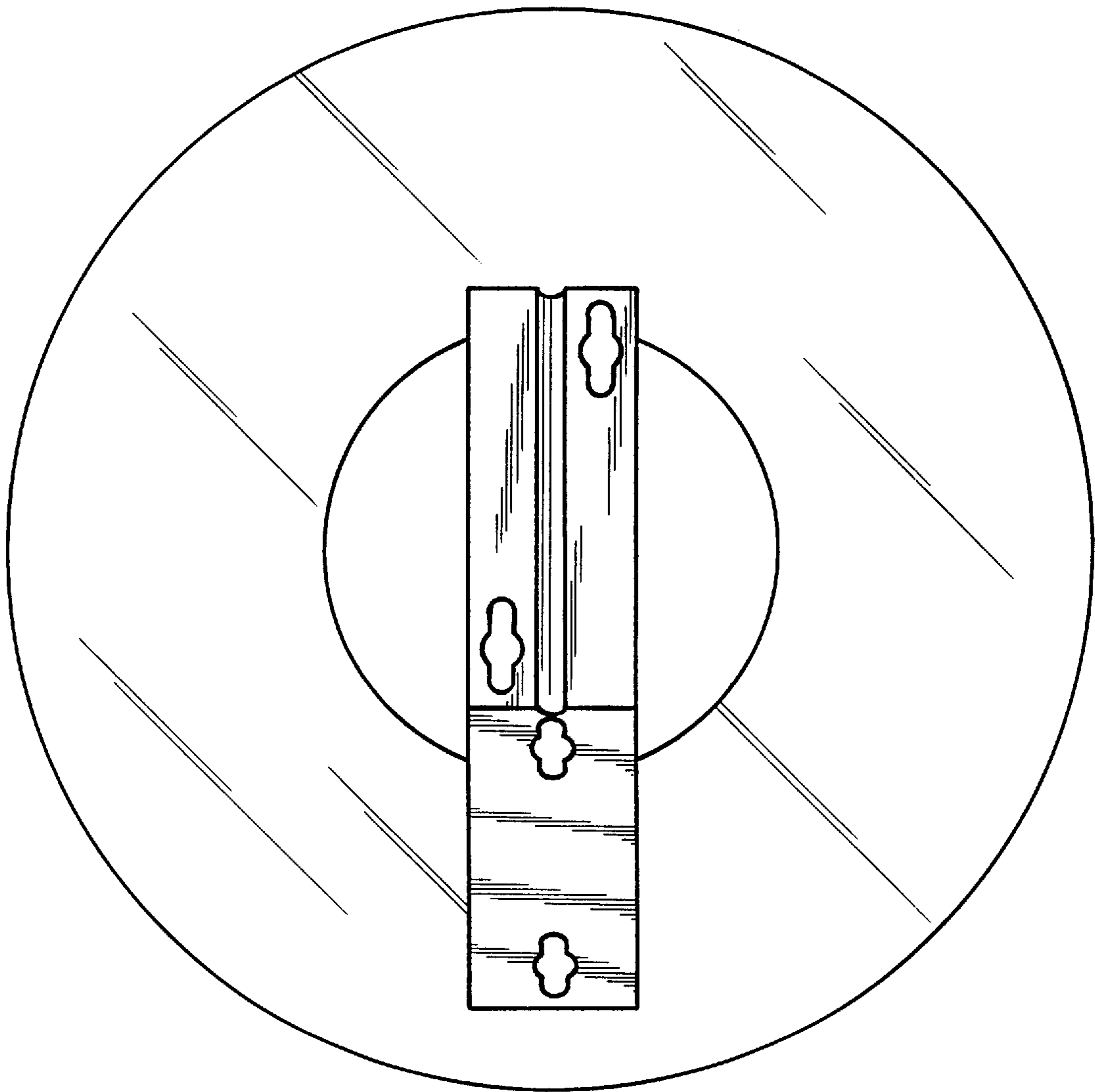


FIG. 7

