



US00D402389S

United States Patent [19]

Norman et al.

[11] **Patent Number:** **Des. 402,389**

[45] **Date of Patent:** ****Dec. 8, 1998**

[54] **ACCENT LIGHT**

[76] Inventors: **Michael J. Norman; Wendy L. Claybourne**, both of 105 Springbank Drive, London, Ontario, Canada, N6J 1E5

[**] Term: **14 Years**

[21] Appl. No.: **67,233**

[22] Filed: **Feb. 28, 1997**

[51] **LOC (6) Cl.** **26-05**

[52] **U.S. Cl.** **D26/87**

[58] **Field of Search** D26/72, 75, 76, D26/80, 85, 87, 91, 92; 362/147, 432

[56] **References Cited**

U.S. PATENT DOCUMENTS

D. 239,858 5/1976 Scarpa D26/87

Primary Examiner—Susan J. Lucas

[57] **CLAIM**

The ornamental design for a accent light, as shown.

DESCRIPTION

FIG. 1 is a front elevation view of the accent light of the present invention;

FIG. 2 is a rear elevation view of the accent light of FIG. 1; FIG. 3 is a left side elevation view of the accent light of FIG. 1;

FIG. 4 is a right side elevation view of the accent light of FIG. 1;

FIG. 5 is a top plan view of the accent light of FIG. 1; and, FIG. 6 is a bottom plan view of the accent light of FIG. 1.

1 Claim, 3 Drawing Sheets

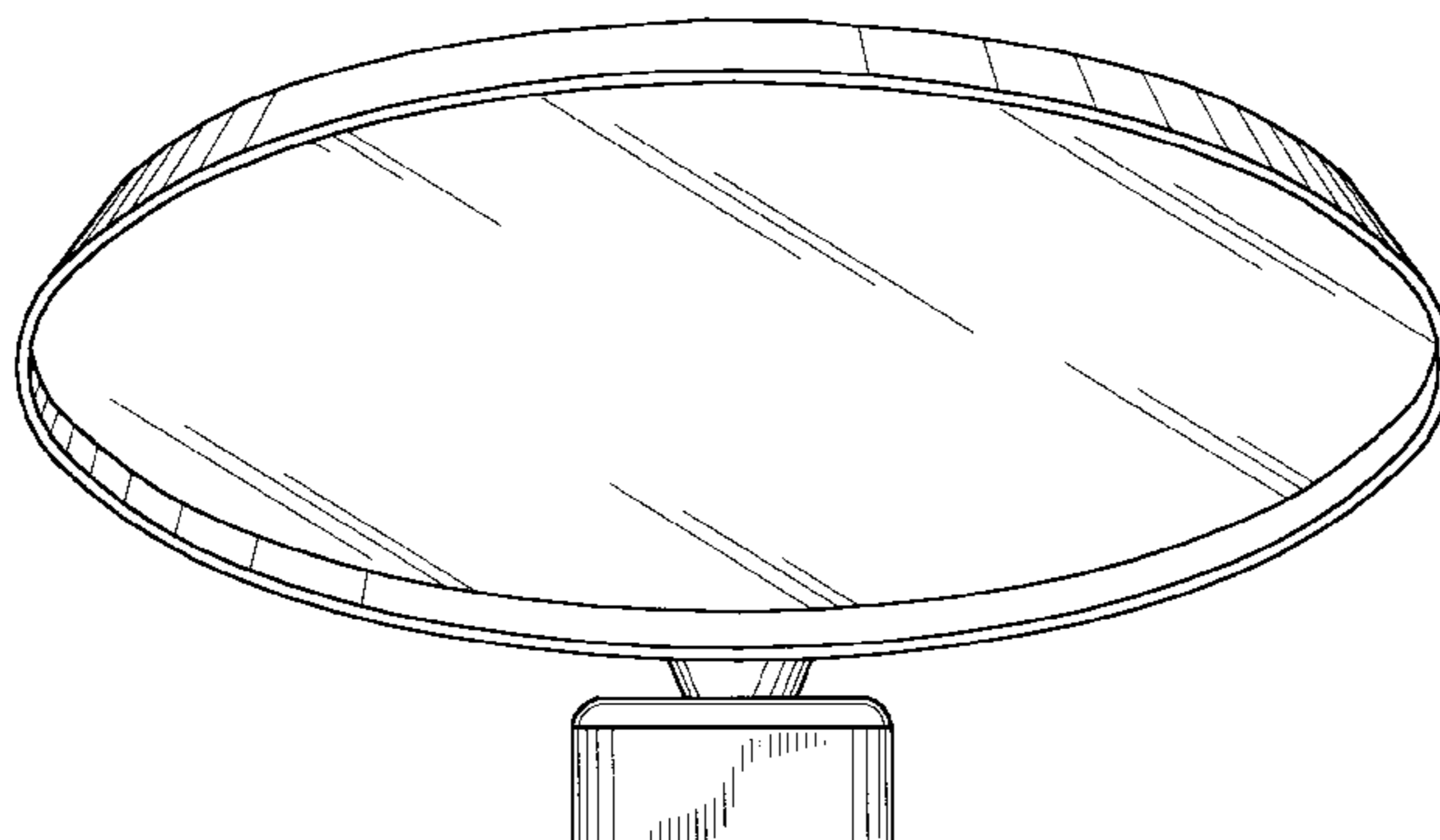
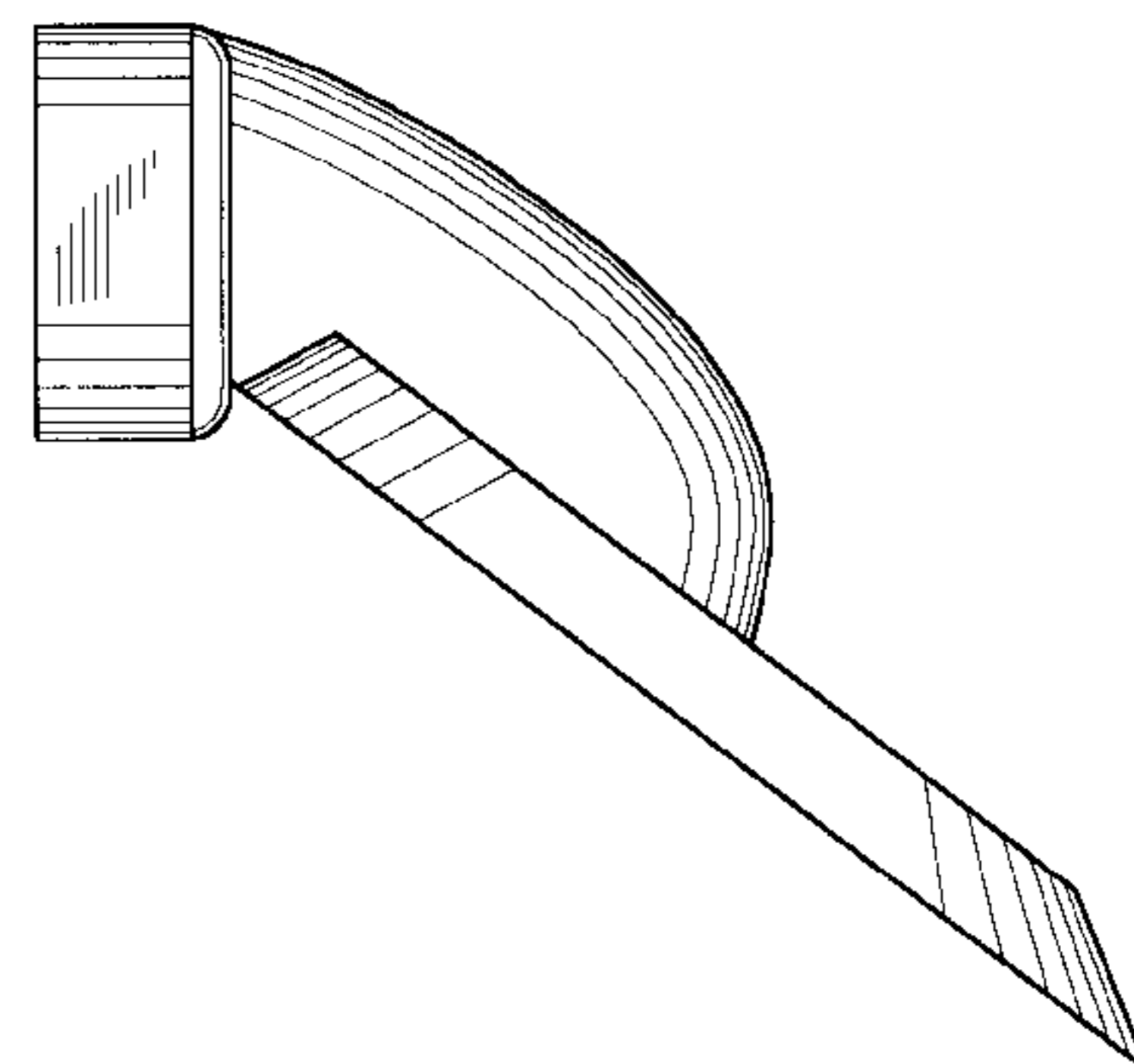
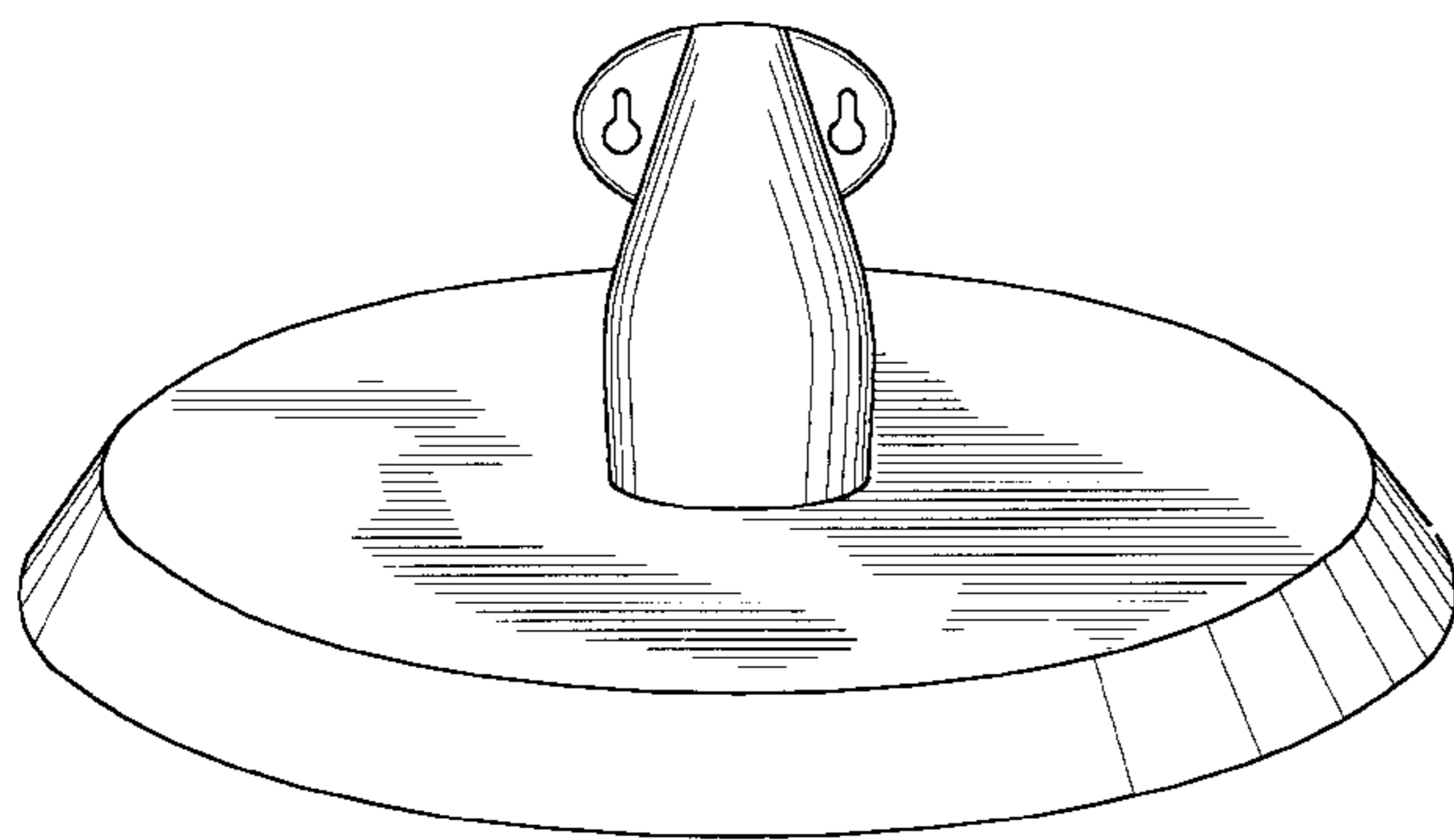


FIG. 1

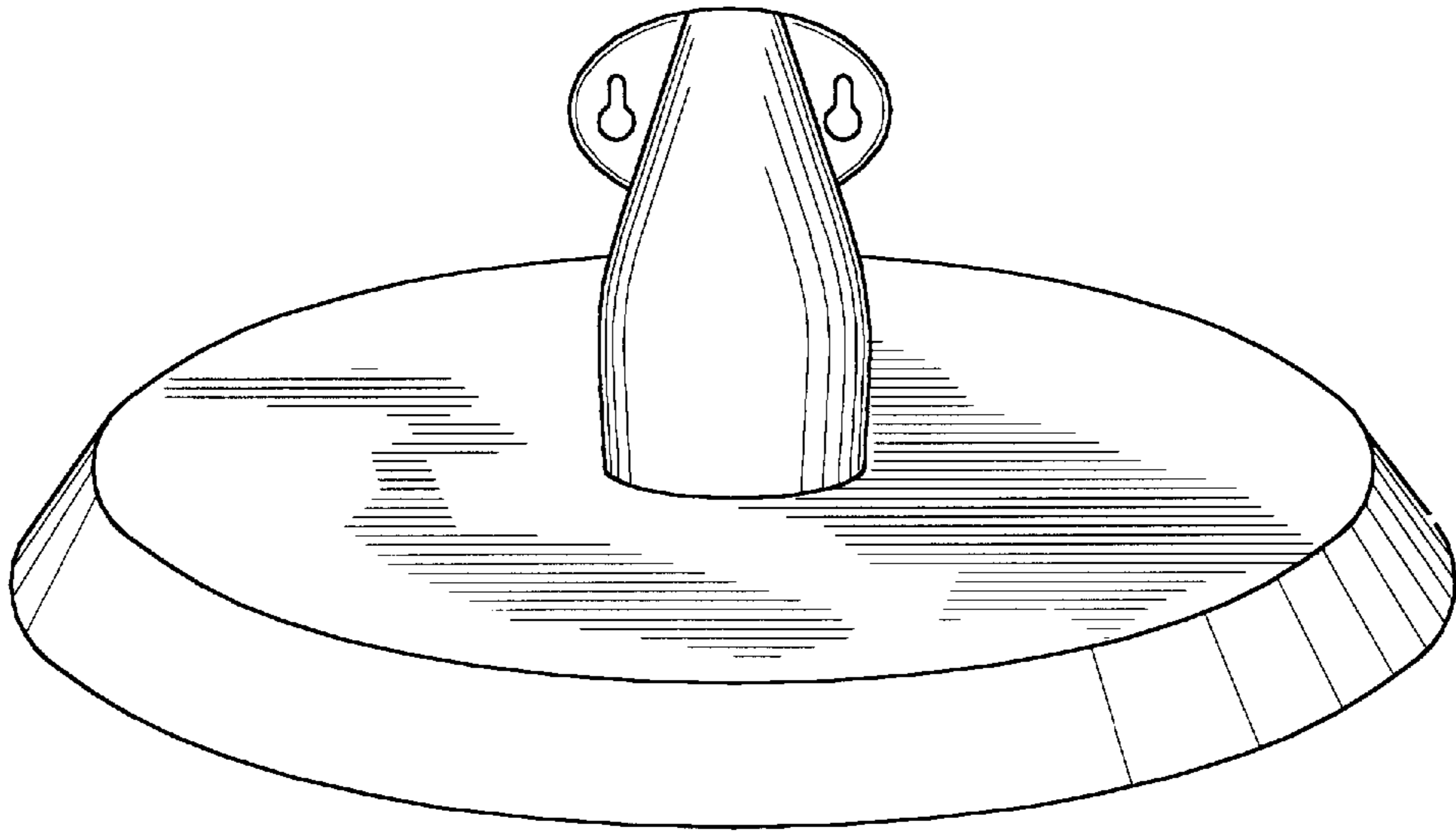


FIG. 2

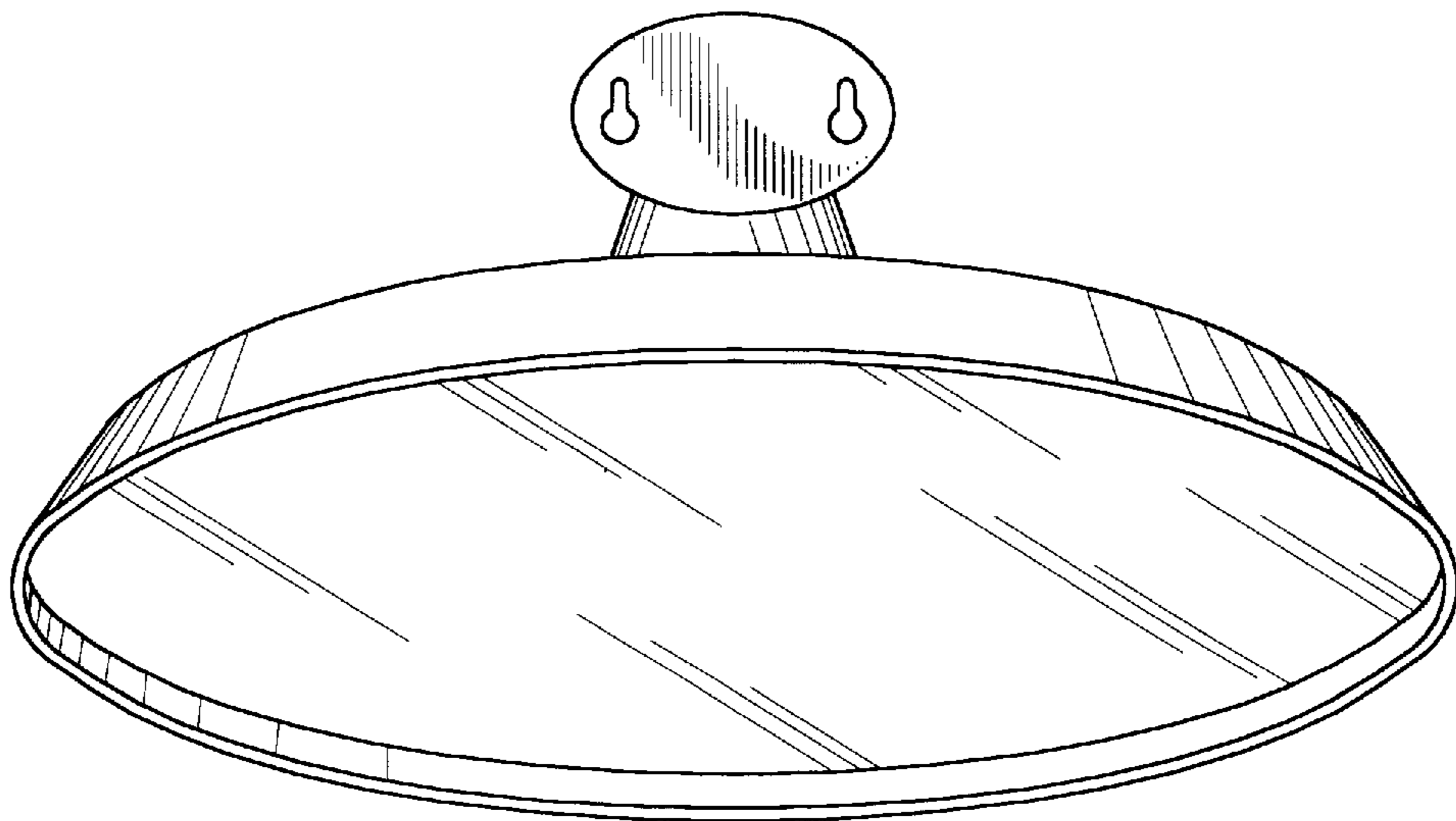


FIG. 3

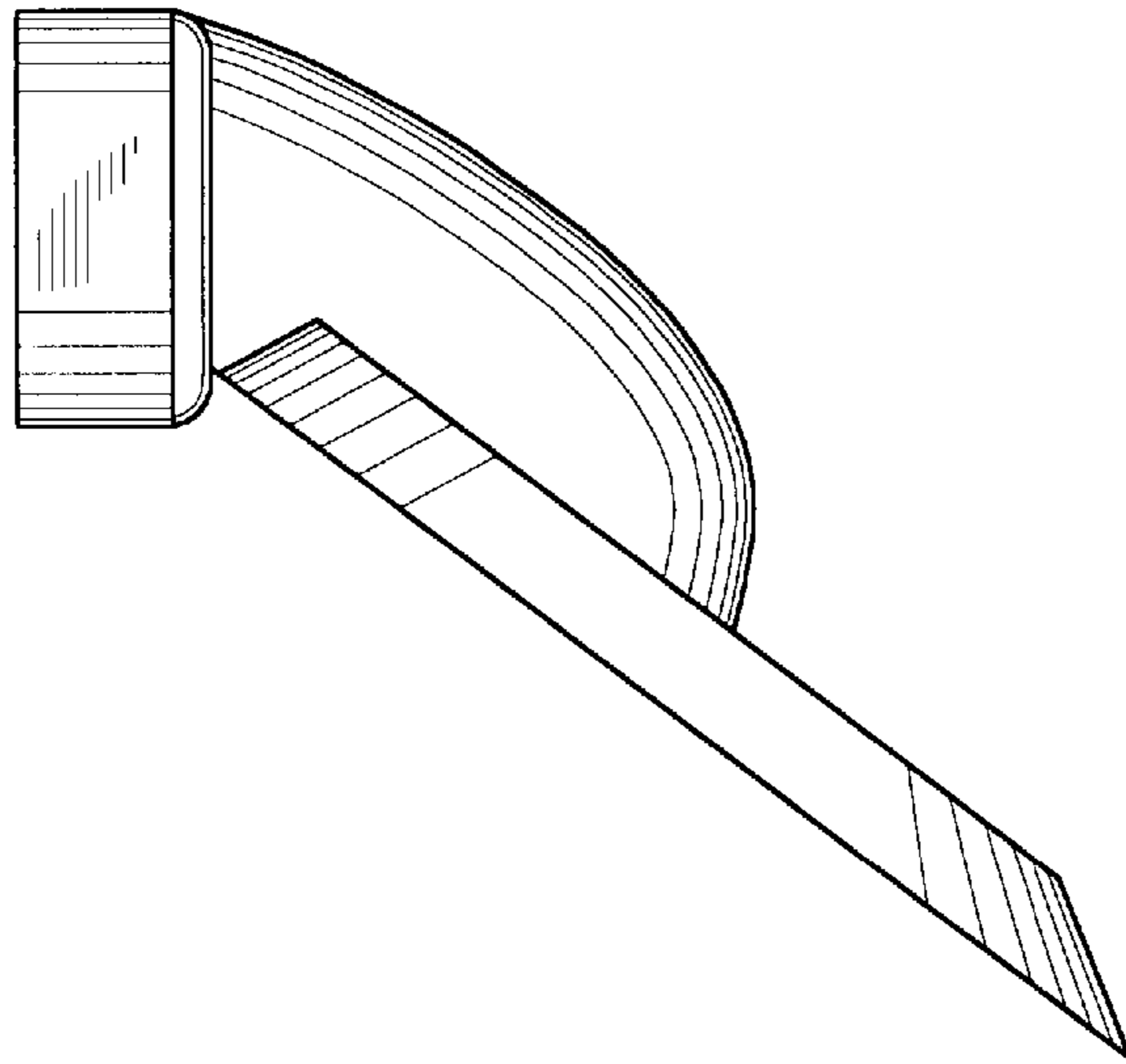


FIG. 4

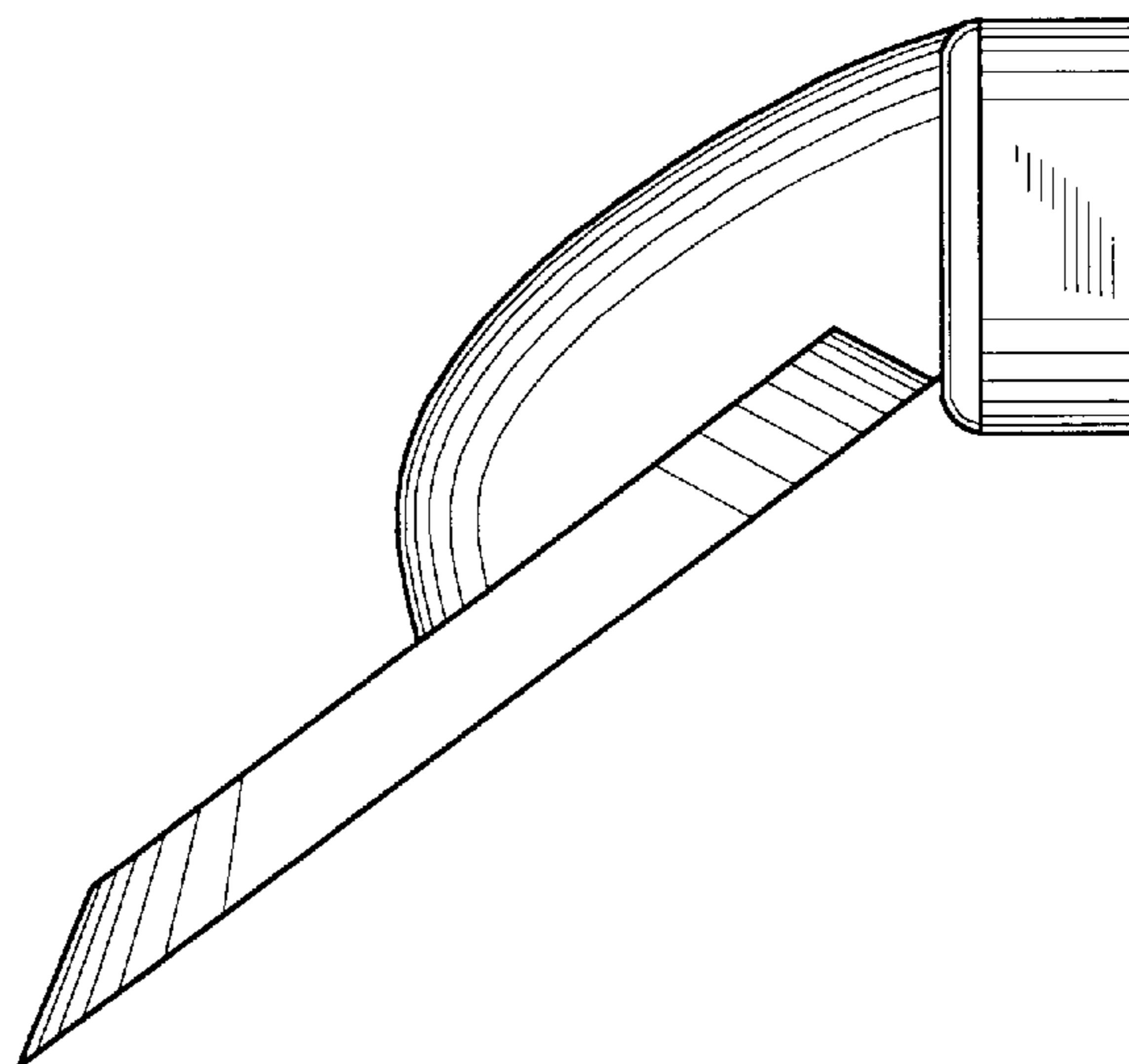


FIG. 5

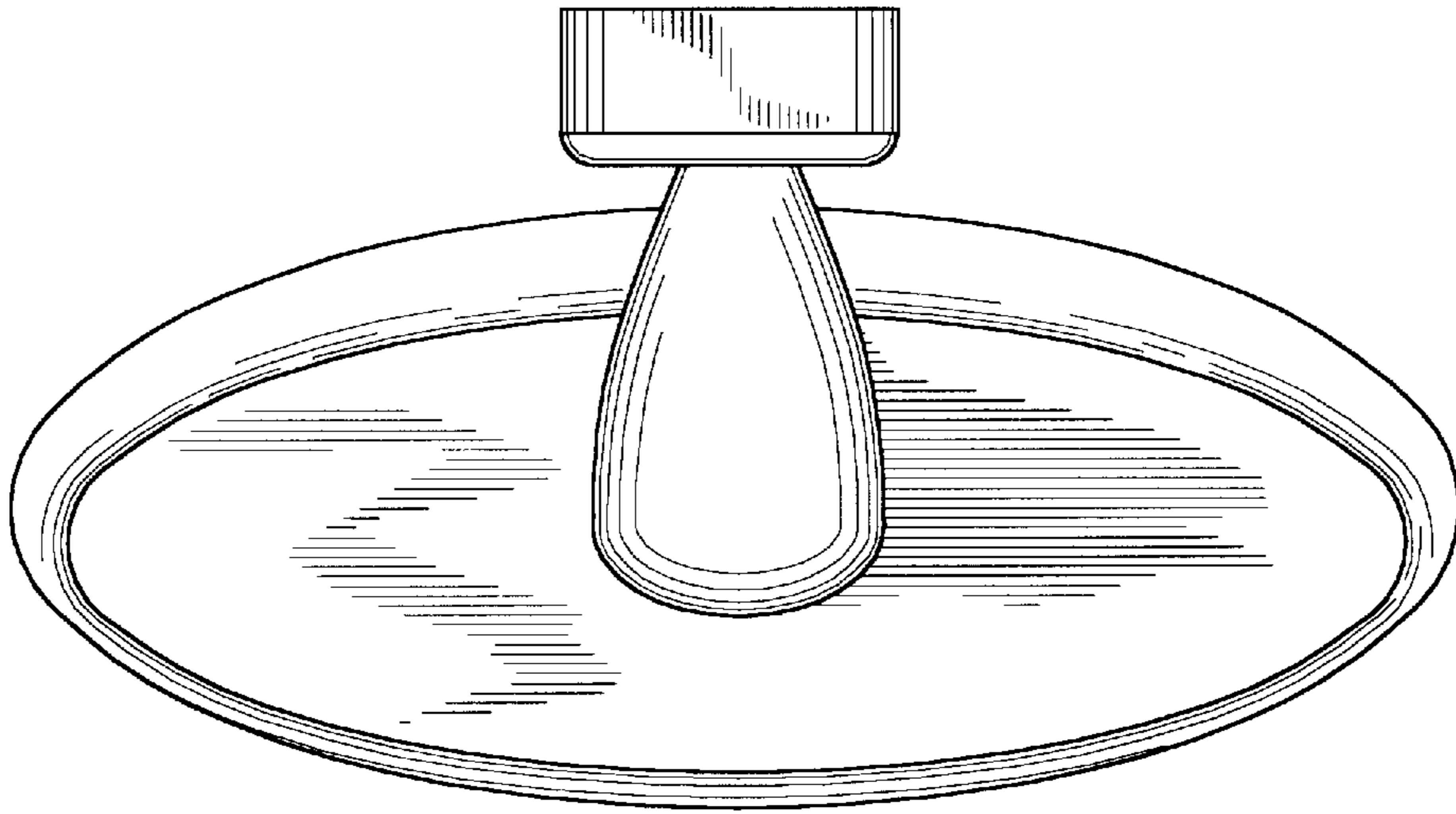


FIG. 6

