



US00D402385S

**United States Patent** [19]  
**Chen**

[11] **Patent Number: Des. 402,385**

[45] **Date of Patent: \*\*Dec. 8, 1998**

[54] **DESK LAMP**

[76] Inventor: **Frank Chen**, 8F-6, No. 100, Sec. 2,  
Hoping East Road, Taipei, Taiwan

[\*\*] Term: **14 Years**

[21] Appl. No.: **70,806**

[22] Filed: **May 16, 1997**

[51] **LOC (6) Cl.** ..... **26-05**

[52] **U.S. Cl.** ..... **D26/65**

[58] **Field of Search** ..... D26/61, 63, 65,  
D26/93, 102-112; 362/410-414, 418, 419,  
427, 269, 275, 287

[56] **References Cited**

**U.S. PATENT DOCUMENTS**

D. 353,218 12/1994 Yuen ..... D26/63  
3,341,702 9/1967 Naumann ..... 362/411 X

**OTHER PUBLICATIONS**

B. A. Pargh Co., Inc., catalog, p. 217, computer lamp, Jun. 1992.

Industrial Lamp Corp. catalog, front cover, Apr. 1941.

Murray Feiss Lite Chips catalog, p. 7, Jun. 1988.

*Primary Examiner*—Susan J. Lucas

[57] **CLAIM**

The ornamental design for desk lamp, as shown and described.

**DESCRIPTION**

FIG. 1 is the perspective view of a “desk lamp” showing my new design;

FIG. 2 is the front elevational view thereof;

FIG. 3 is the rear elevational view thereof;

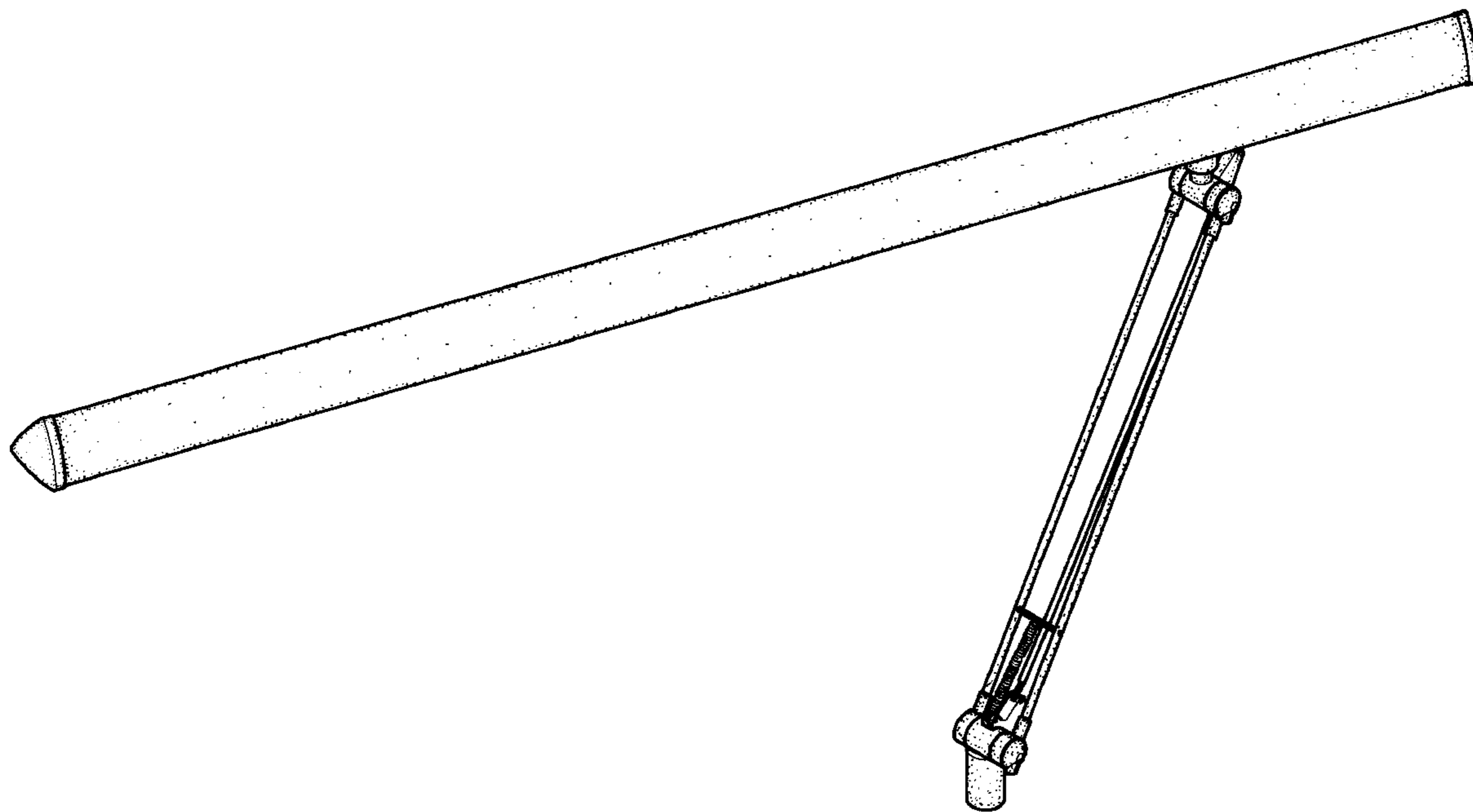
FIG. 4 is the left side elevational view thereof;

FIG. 5 is the right side elevational view thereof;

FIG. 6 is the top plan view thereof; and,

FIG. 7 is the bottom plan view thereof.

**1 Claim, 5 Drawing Sheets**



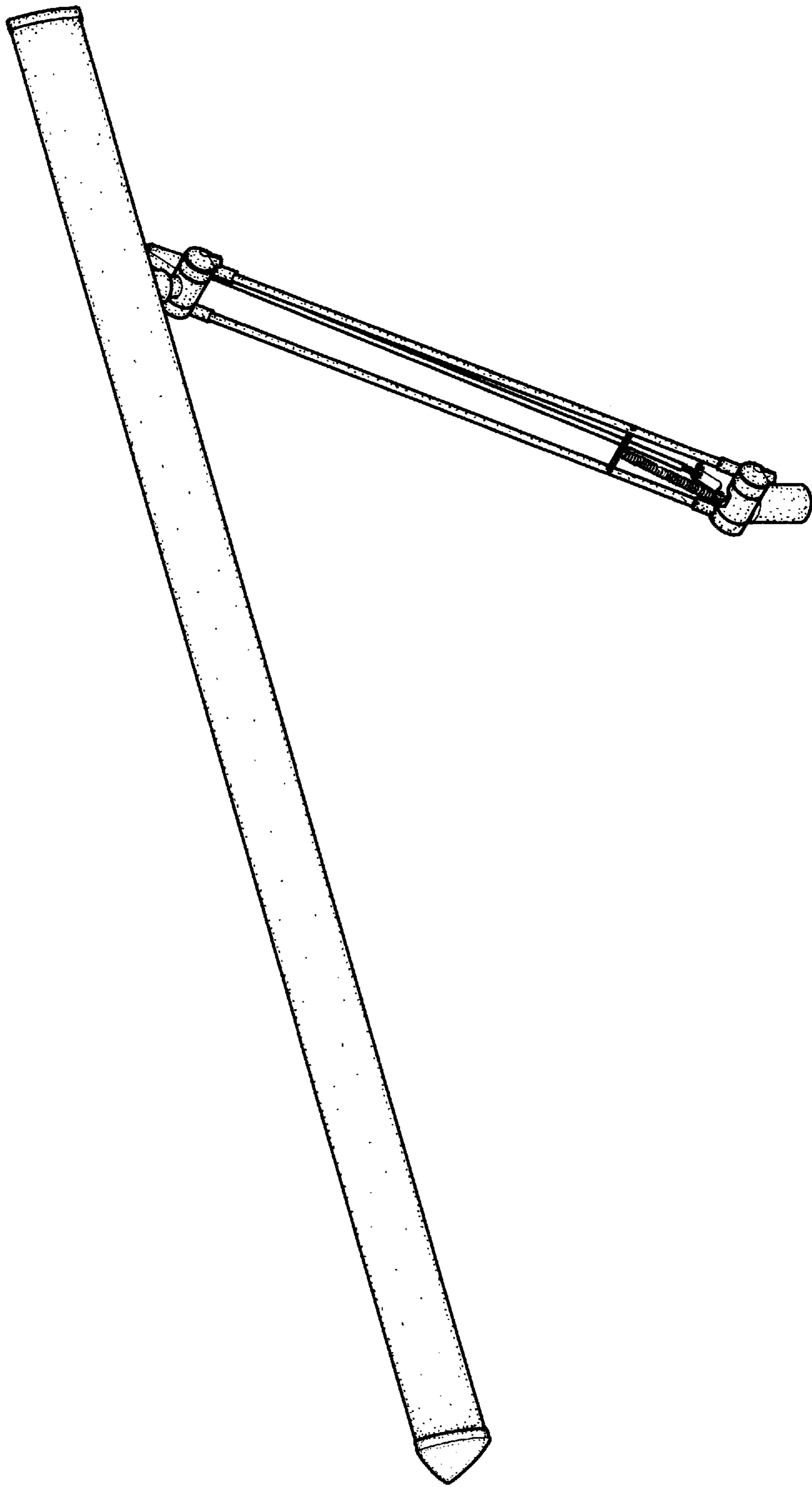


FIG. 1

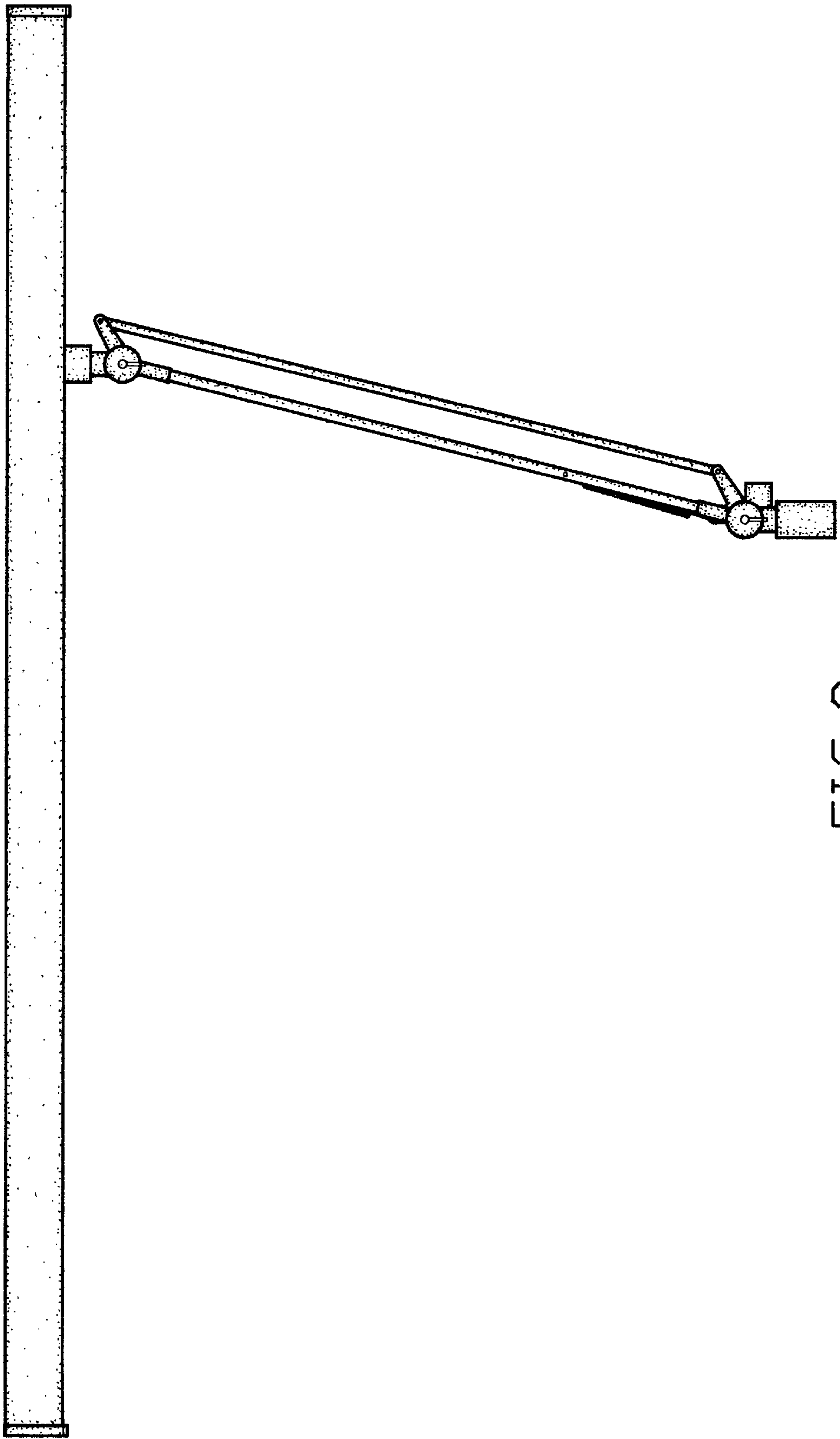


FIG. 2

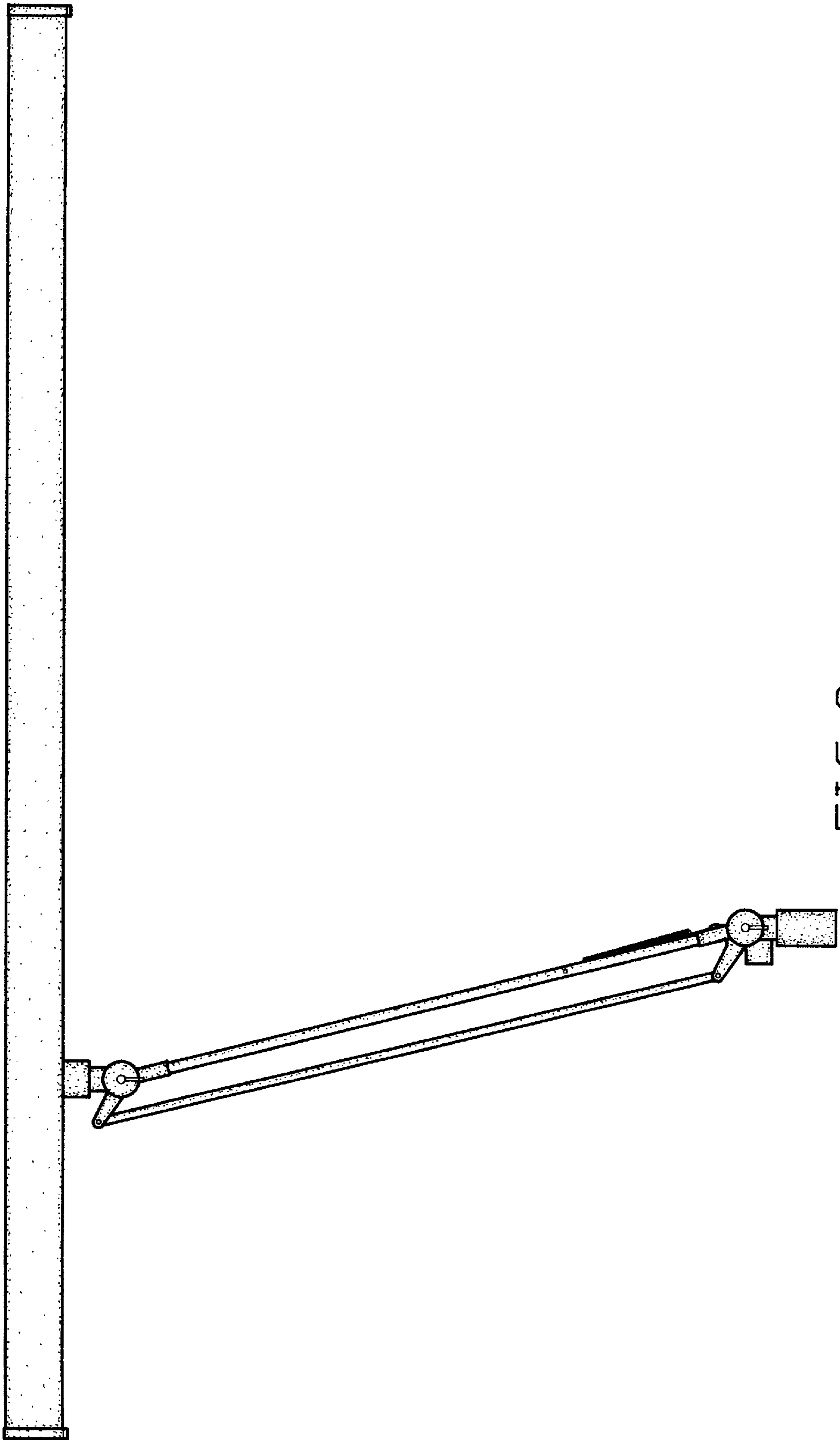


FIG. 3

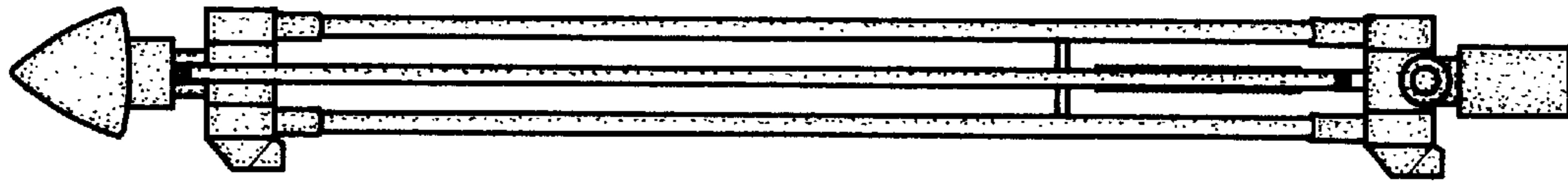


FIG. 5

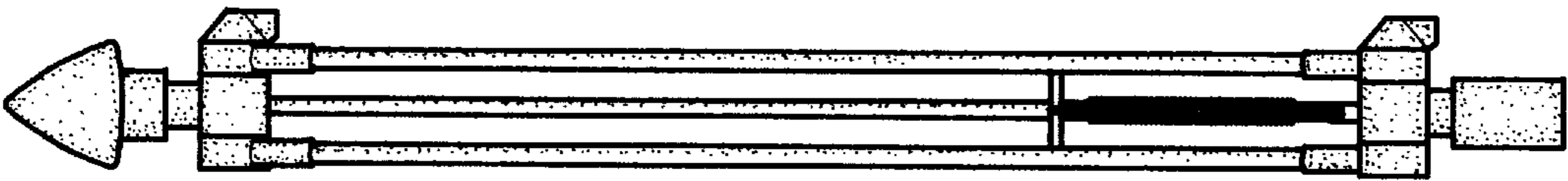


FIG. 4

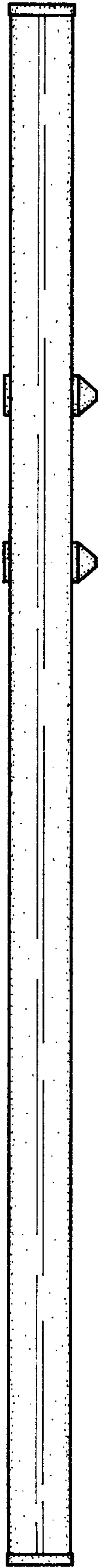


FIG. 6

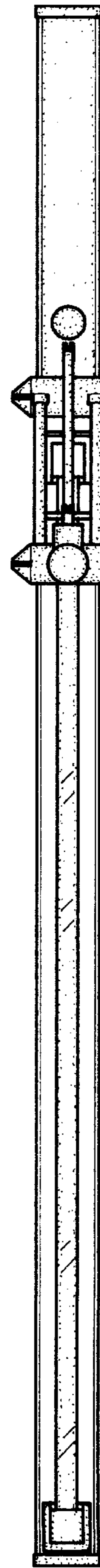


FIG. 7