



US00D402384S

**United States Patent** [19]  
**Chen**

[11] **Patent Number: Des. 402,384**

[45] **Date of Patent: \*\*Dec. 8, 1998**

[54] **ELECTRICAL RECEPTACLE ASSEMBLY FOR ADJUSTABLE TRACKLIGHT**

D. 376,026 11/1996 Wachter ..... D26/63  
5,593,224 1/1997 Kunkel et al. .... 362/418 X

[76] Inventor: **Chih-Ching Chen**, No.2, Lane 111, Ta Chu Road, Lu Chu Hsiang, Taoyuan Hsien, Taiwan

*Primary Examiner*—Joel Sincavage

[\*\*] Term: **14 Years**

[57] **CLAIM**

The ornamental design for an electrical receptacle assembly for adjustable tracklight, as shown and described.

[21] Appl. No.: **62,989**

**DESCRIPTION**

[22] Filed: **Nov. 15, 1996**

FIG. 1 is a perspective view of an electrical receptacle assembly for adjustable tracklight showing my design; FIG. 2 is a front elevational view thereof; FIG. 3 is a rear elevational view thereof; FIG. 4 is a left side elevational view thereof; FIG. 5 is a right side elevational view thereof; FIG. 6 is a top plan view thereof; FIG. 7 is a bottom plan view thereof; and, FIG. 8 is a perspective view showing the electrical receptacle assembly for adjustable tracklight, a bulb shown in dotted lines, for illustrative purposes only and forms no part of the claimed design.

[51] **LOC (6) Cl.** ..... **26-05**

[52] **U.S. Cl.** ..... **D26/63**

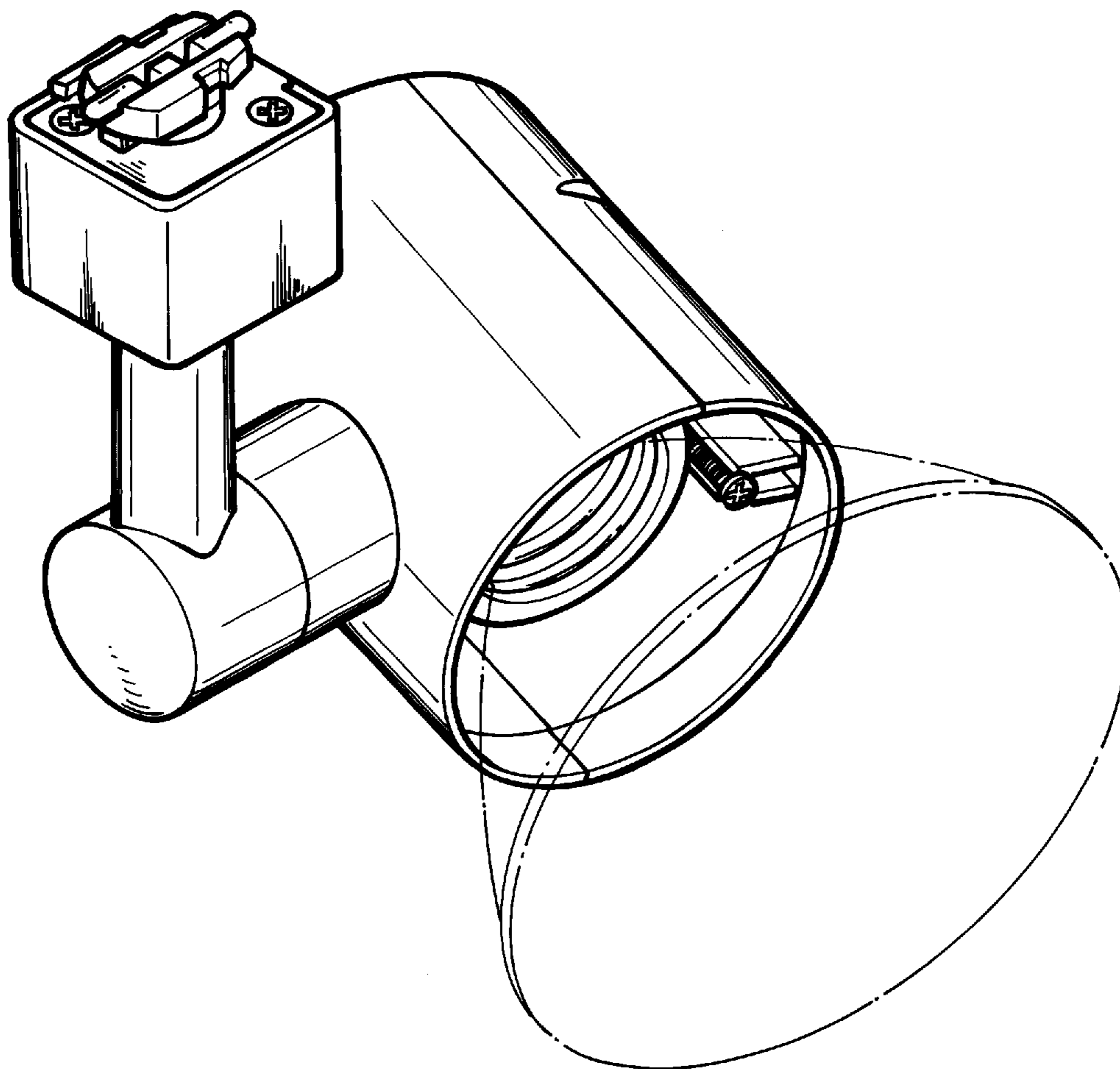
[58] **Field of Search** ..... D13/134; D26/65, D26/63; 362/226, 285, 418, 419, 427; 313/51; 439/336, 419, 558, 602, 605, 660, 699.2, 611

[56] **References Cited**

**U.S. PATENT DOCUMENTS**

- D. 231,559 4/1974 Darling et al. .... D26/63
- D. 239,967 5/1976 Ewing et al. .... D26/65
- D. 361,146 8/1995 Jandrisits et al. .... D26/63

**1 Claim, 5 Drawing Sheets**



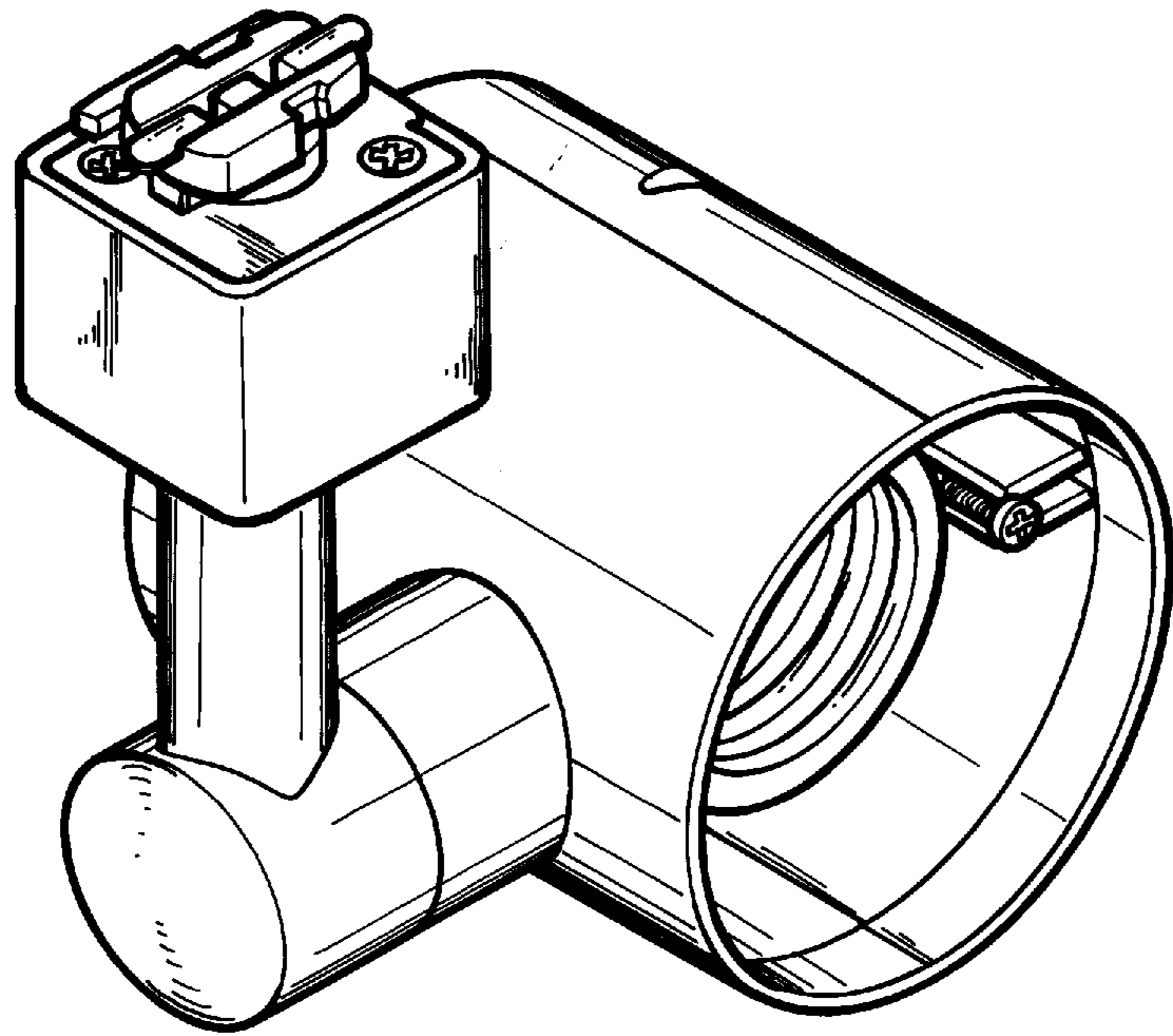


FIG. 1

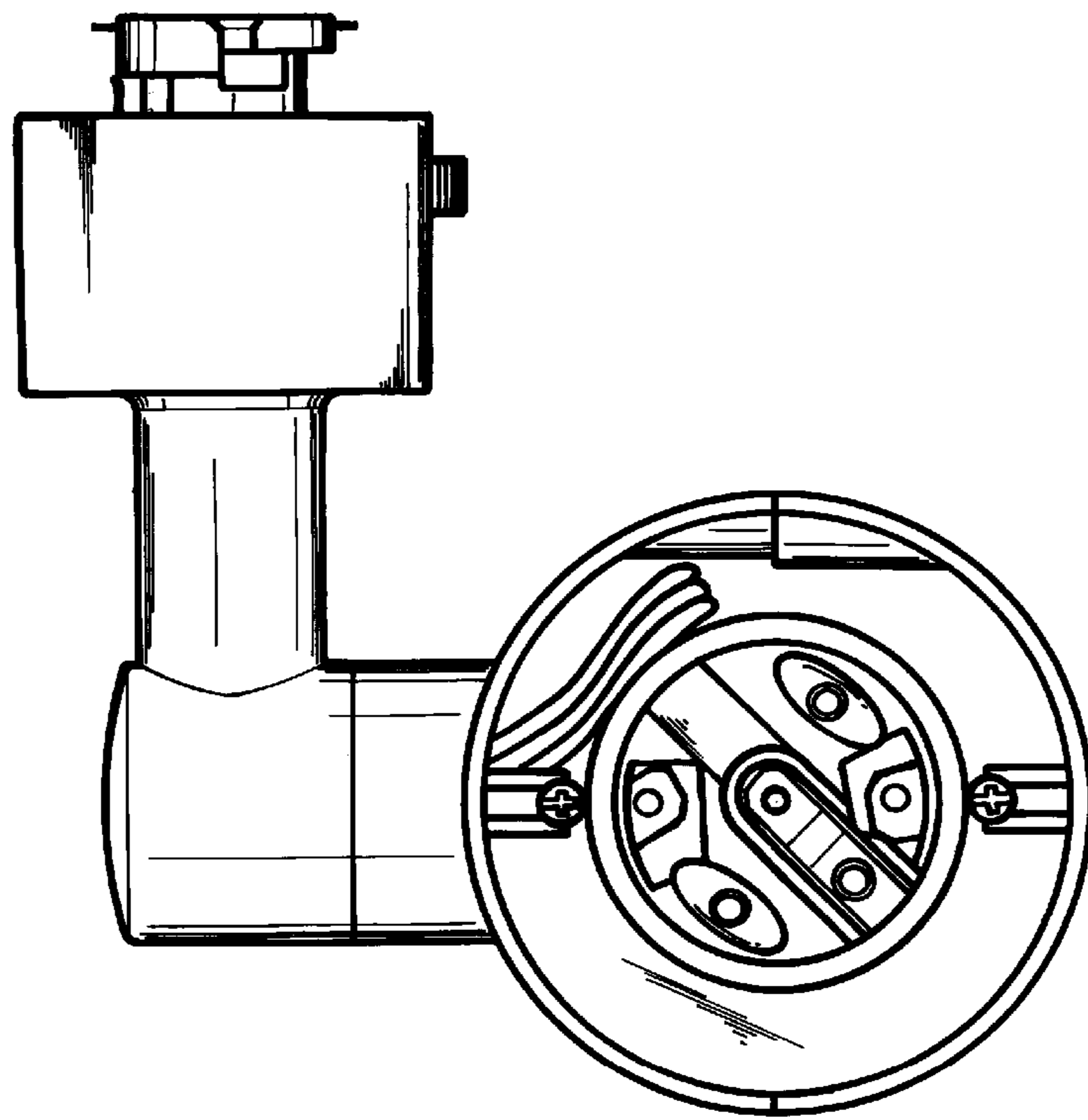


FIG. 2

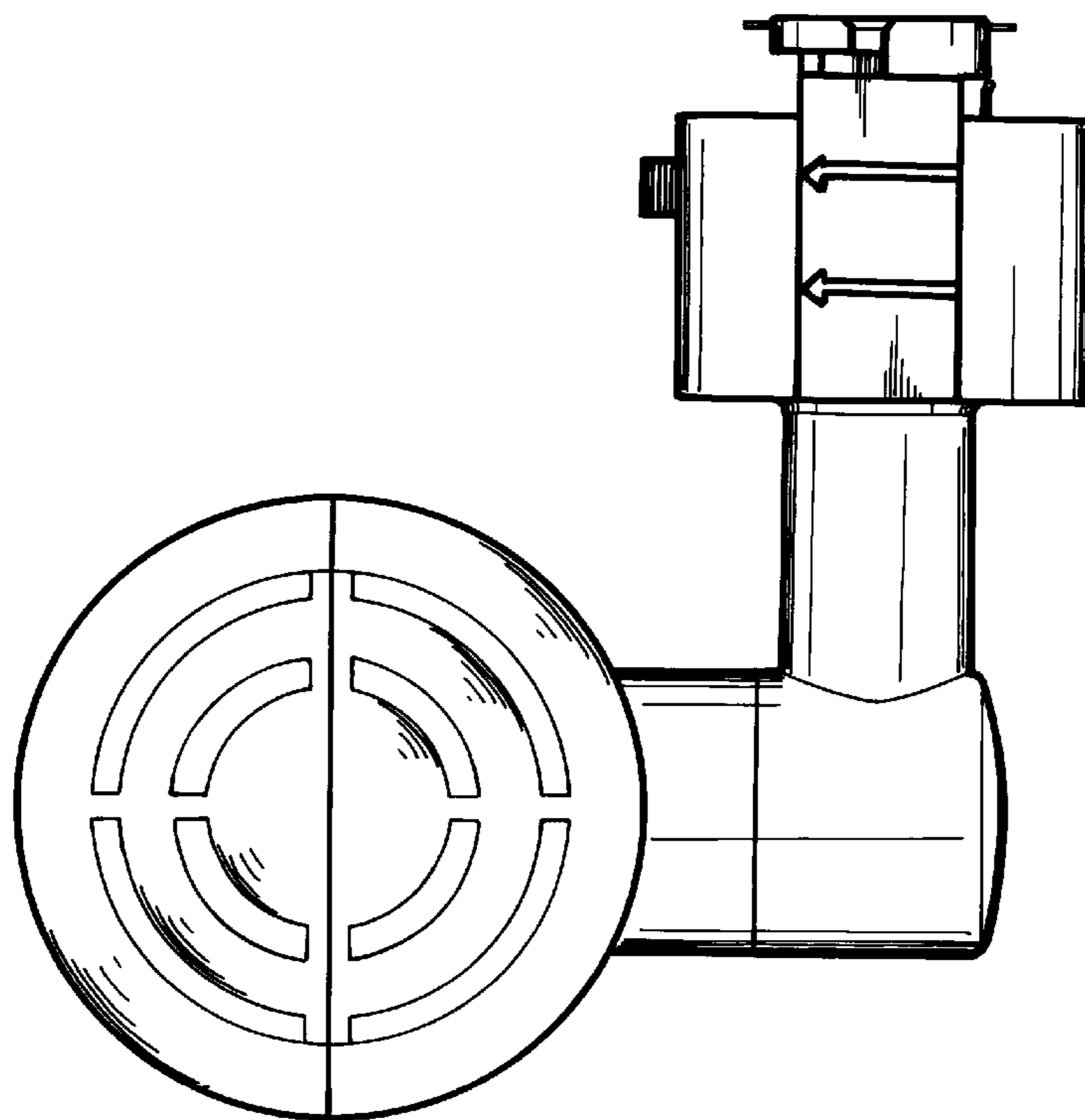


FIG. 3

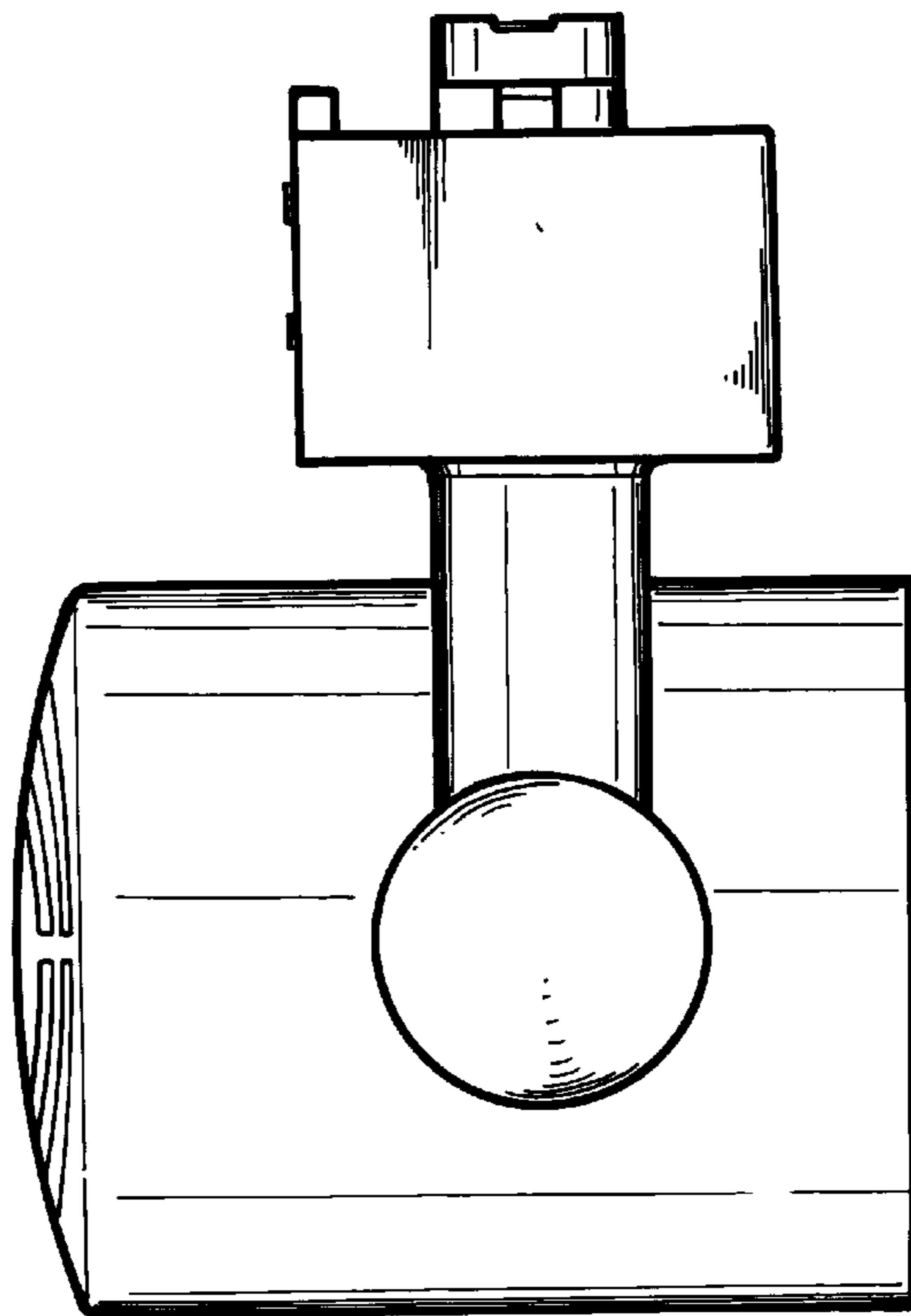


FIG. 4

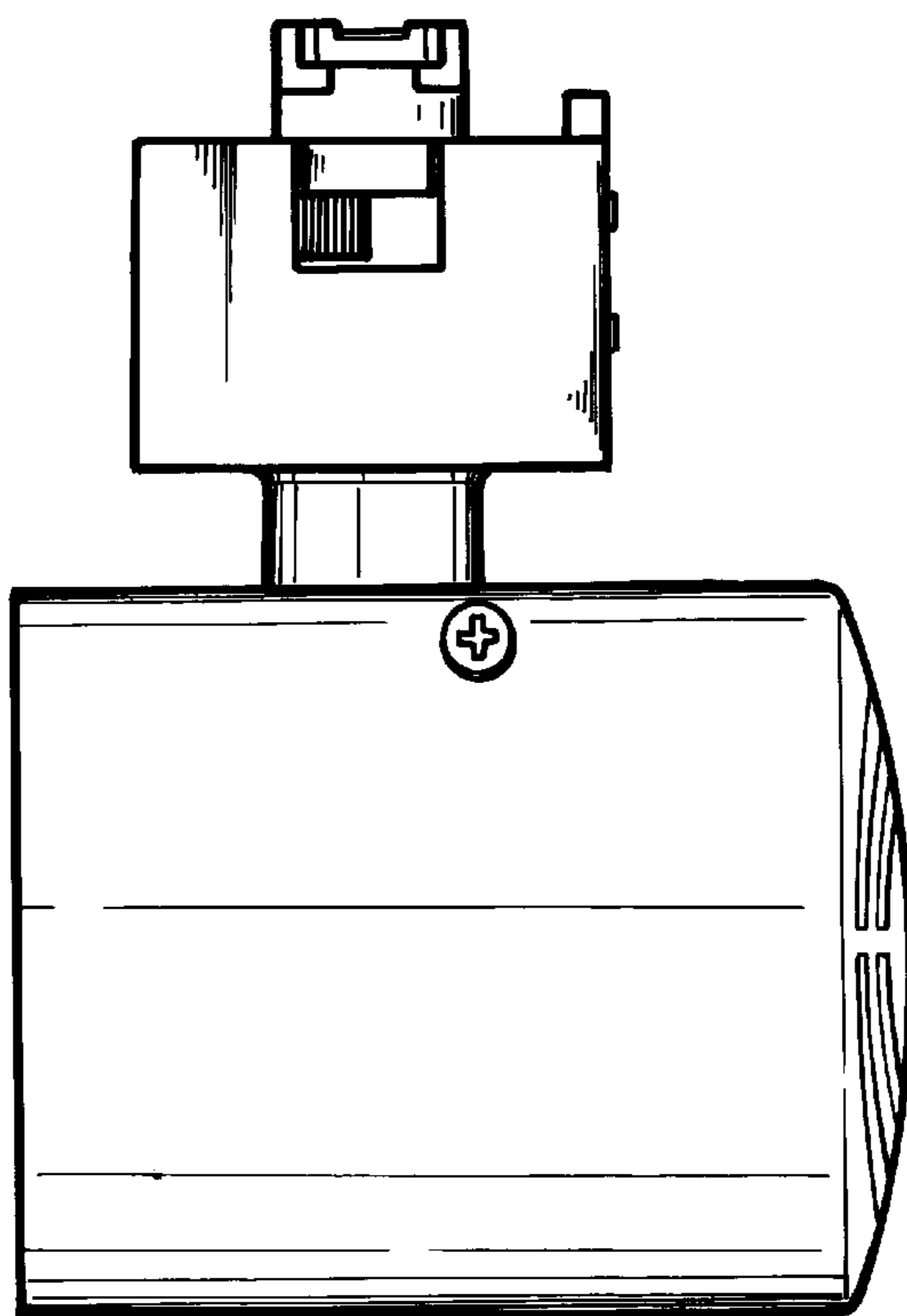


FIG. 5

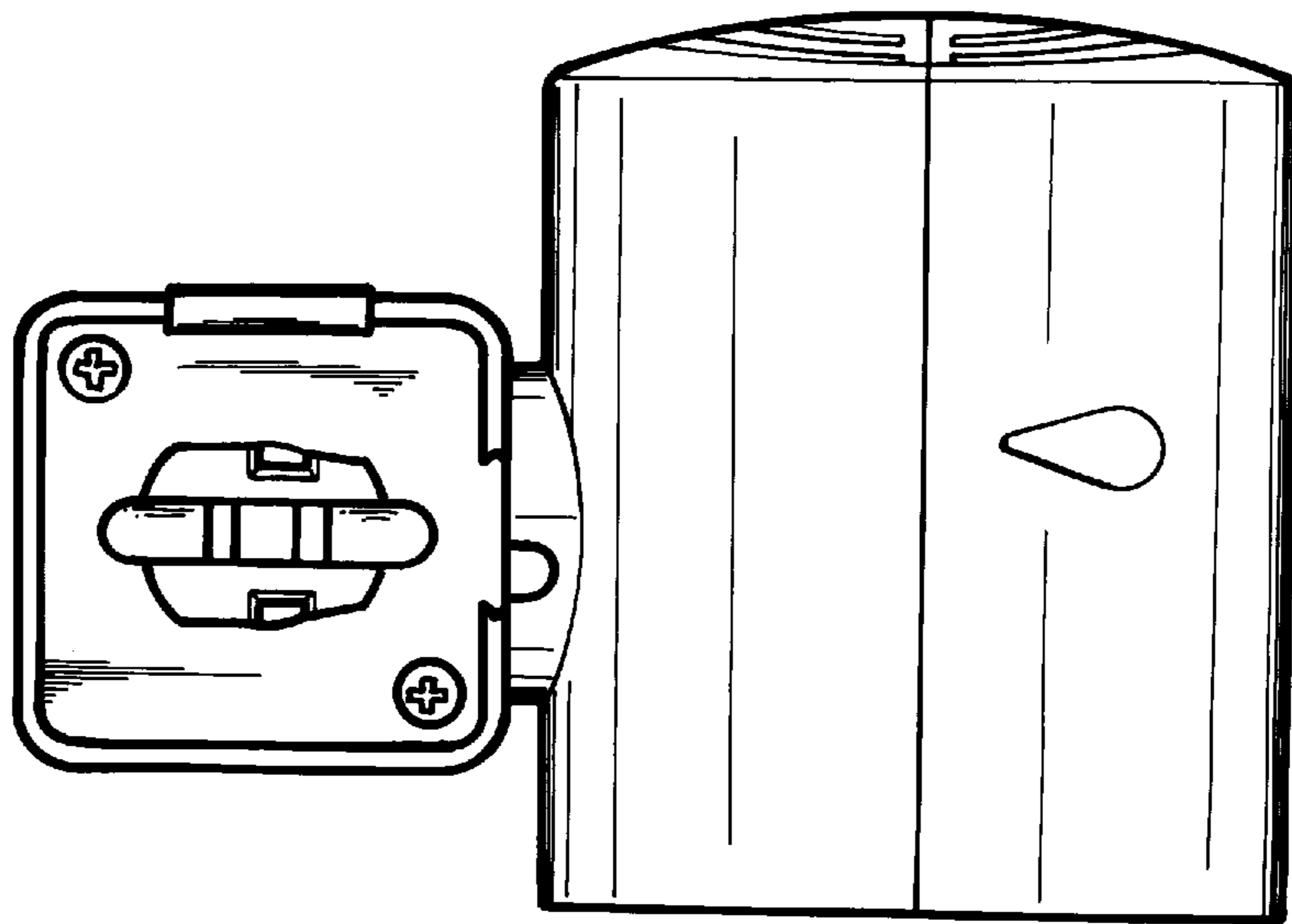


FIG. 6

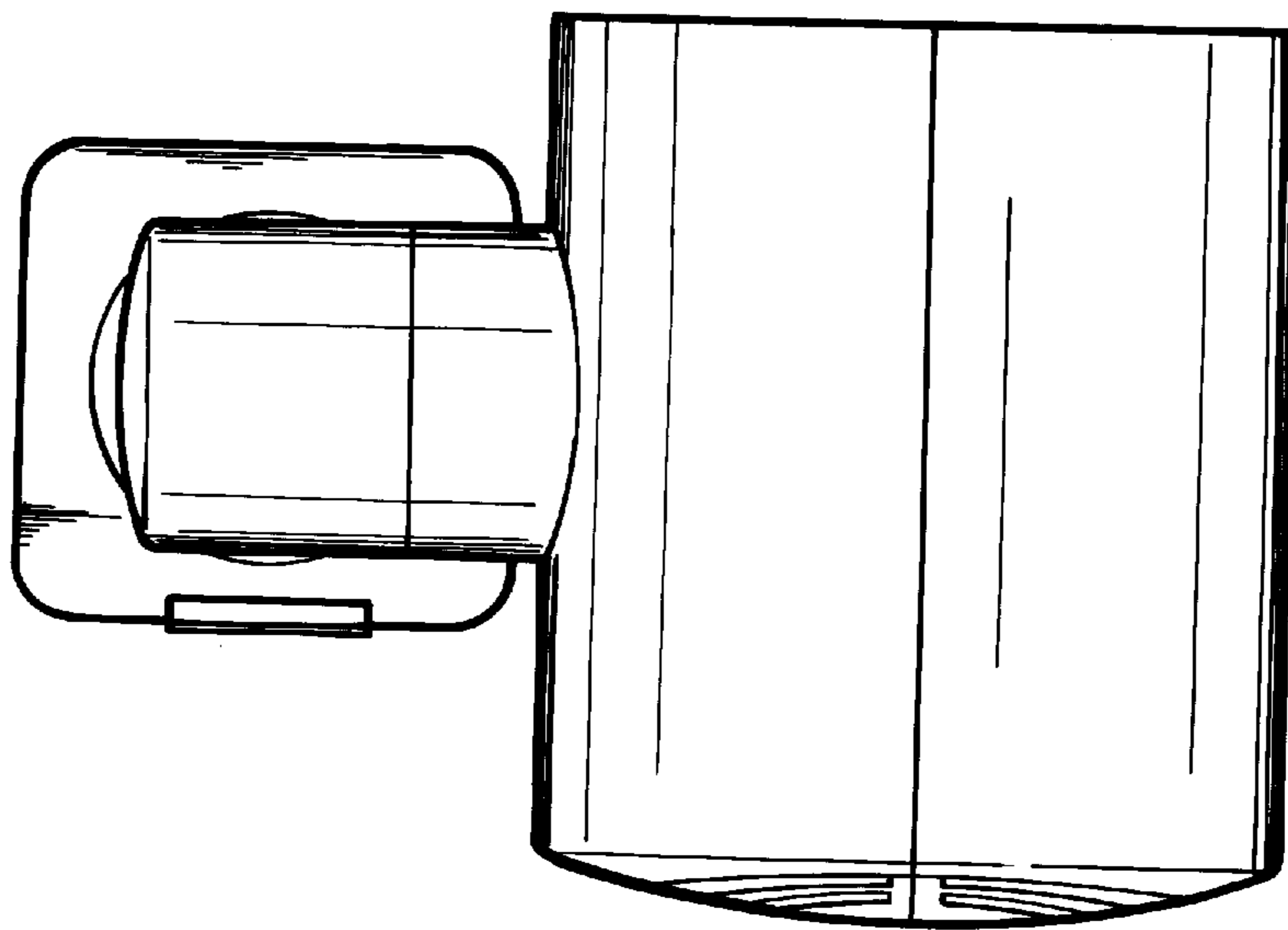


FIG. 7

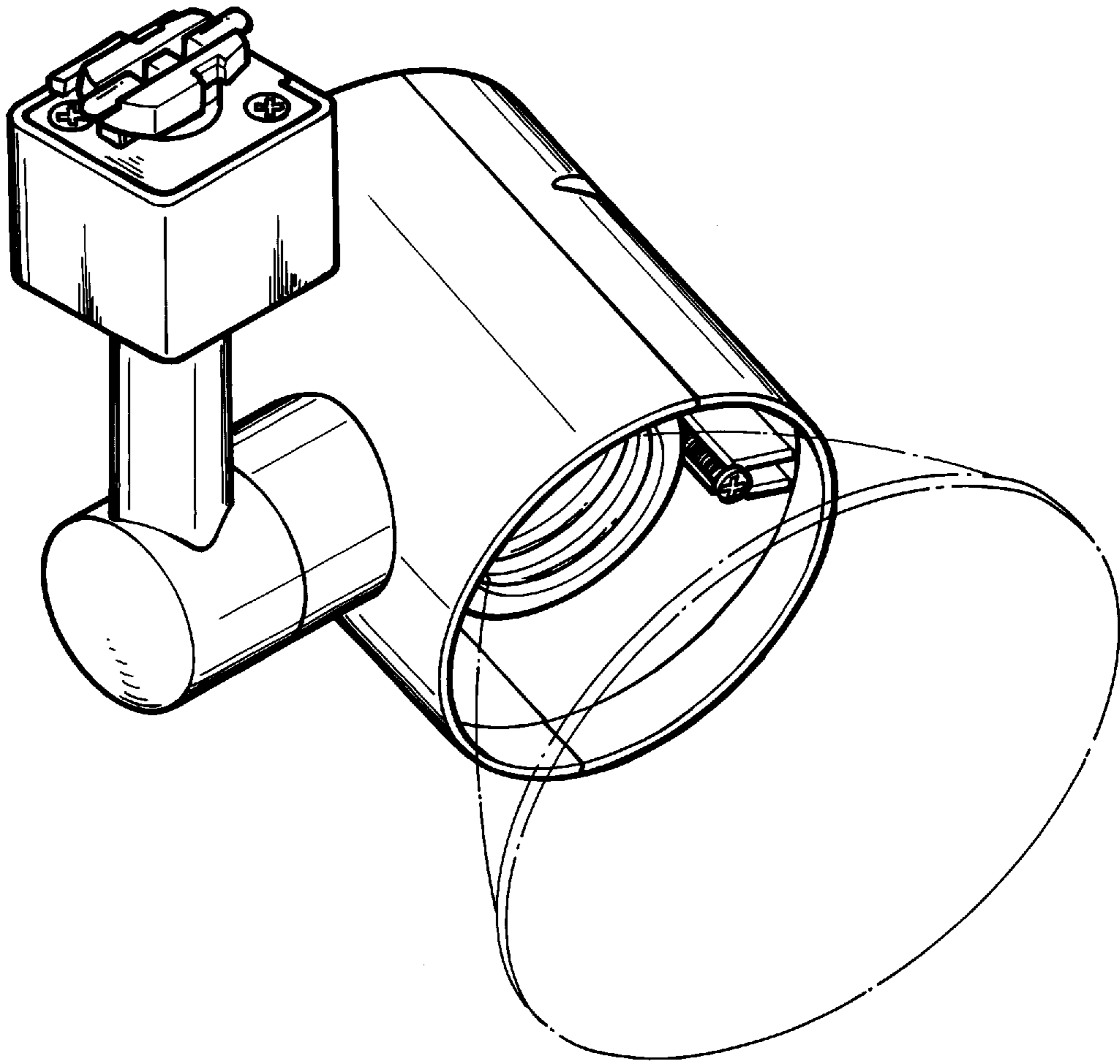


FIG. 8