



US00D402383S

United States Patent [19]
Hunter

[11] **Patent Number: Des. 402,383**

[45] **Date of Patent: **Dec. 8, 1998**

[54] **COMBINED WARNING LIGHT AND BASE**

Attorney, Agent, or Firm—Loeb & Loeb LLP

[76] Inventor: **William Samuel Hunter**, 28 The Parade Ascot Vale, Victoria 3032, Australia

[57] **CLAIM**

The ornamental design for a combined warning light and base, as shown and described.

[**] Term: **14 Years**

DESCRIPTION

[21] Appl. No.: **77,035**

FIG. 1 is a front perspective view of a combined warning light and base attached showing my new design;

[22] Filed: **Sep. 24, 1997**

FIG. 2 is a bottom perspective view thereof;

Related U.S. Application Data

FIG. 3 is a bottom perspective view of a combined warning light and base attached thereof;

[63] Continuation-in-part of Ser. No. 56,406, Jun. 28, 1996, and a continuation-in-part of Ser. No. 737,493, Jun. 28, 1996, Pat. No. Des. 389,595.

FIG. 4 is a side view of a combined warning light and base attached thereof;

[51] **LOC (6) Cl.** **26-02**

FIG. 5 is a top view of a combined warning light and base attached thereof;

[52] **U.S. Cl.** **D26/49**

FIG. 6 is a bottom view of a combined warning light and base attached thereof;

[58] **Field of Search** D26/37-50; 362/157, 362/158, 183-208

FIG. 7 is a top view of the base detached from the safety warning thereof;

[56] **References Cited**

FIG. 8 is a bottom view of the base detached from the safety warning thereof;

U.S. PATENT DOCUMENTS

D. 235,797	7/1975	Friedberg	D26/49
D. 274,317	6/1984	Nelson	D26/49
D. 276,658	12/1984	Yuen	D26/49
D. 297,770	9/1988	Garrity	D26/49
D. 389,595	1/1998	Hunter	D26/49
2,855,499	10/1958	Lewis	D26/49
2,915,744	12/1959	Lewis	D26/49
3,076,891	2/1963	Moore	D26/49

FIG. 9 is a front elevational view of the base detached from the safety warning thereof;

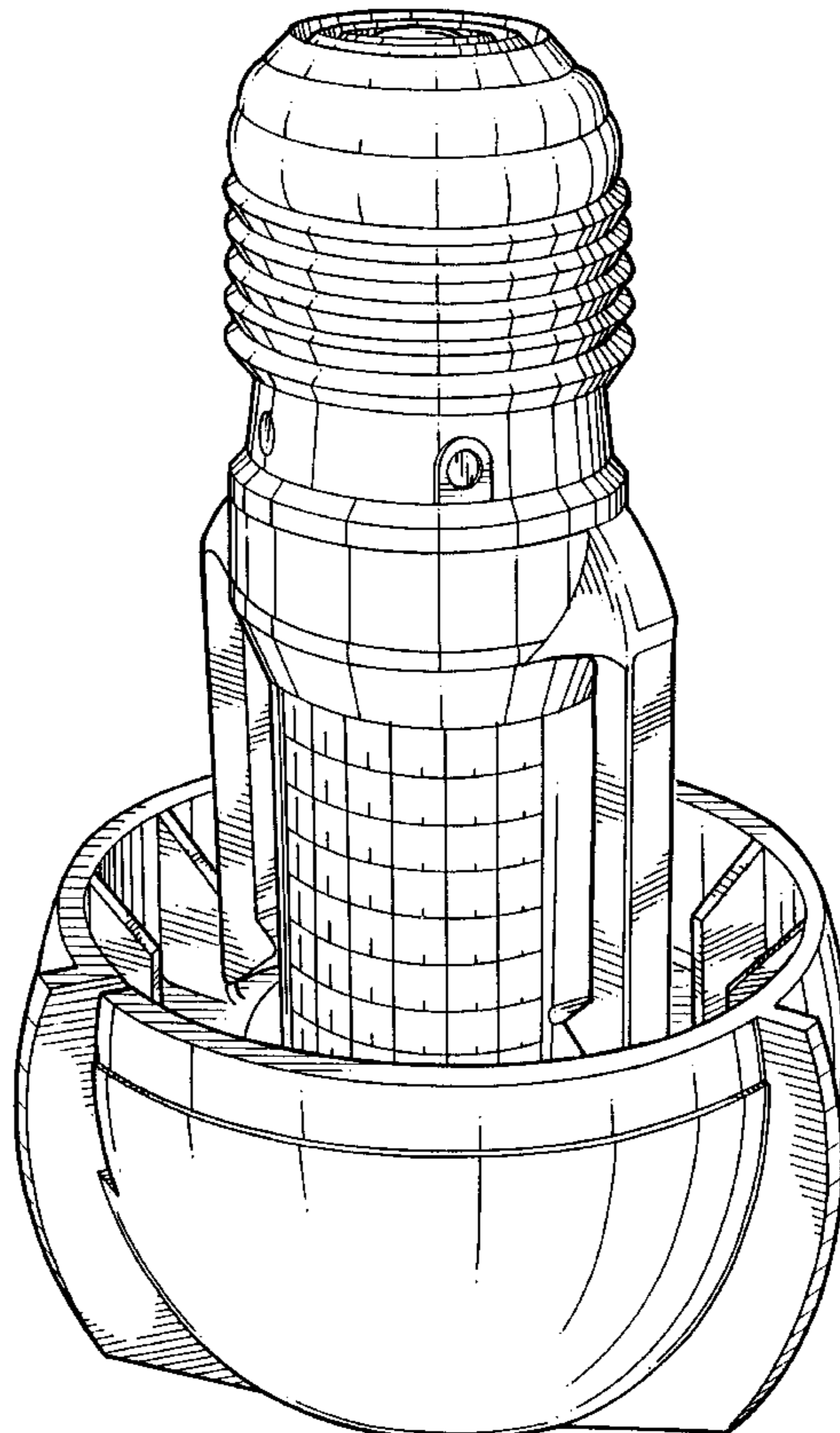
FIG. 10 is a rear elevational view of the base detached from the safety warning thereof;

FIG. 11 is a right side elevational view of the base detached from the safety warning thereof; and,

FIG. 12 is a left side elevational view of the base detached from the safety warning thereof.

*Primary Examiner—*Marcus A. Jackson

1 Claim, 9 Drawing Sheets



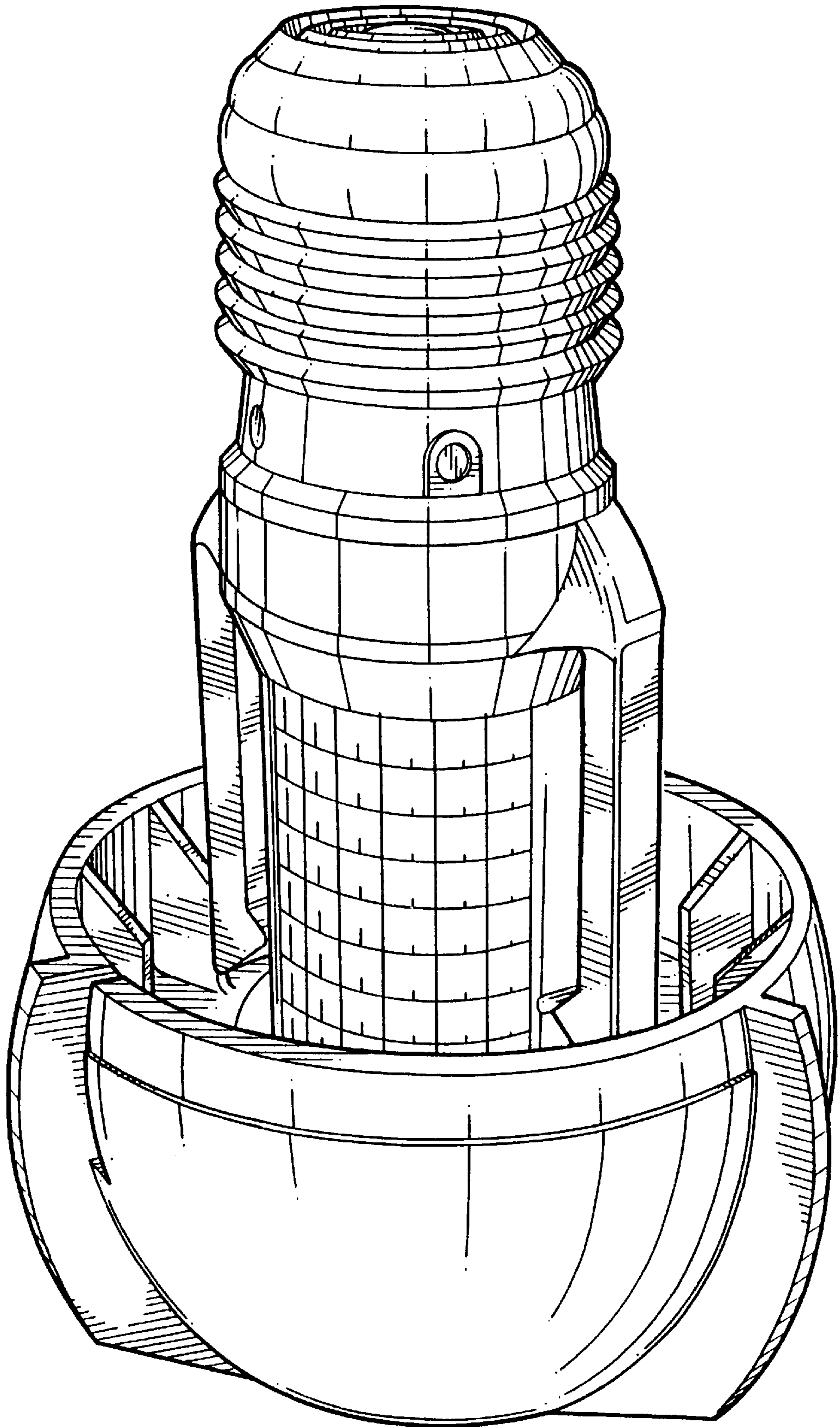


FIG. 1

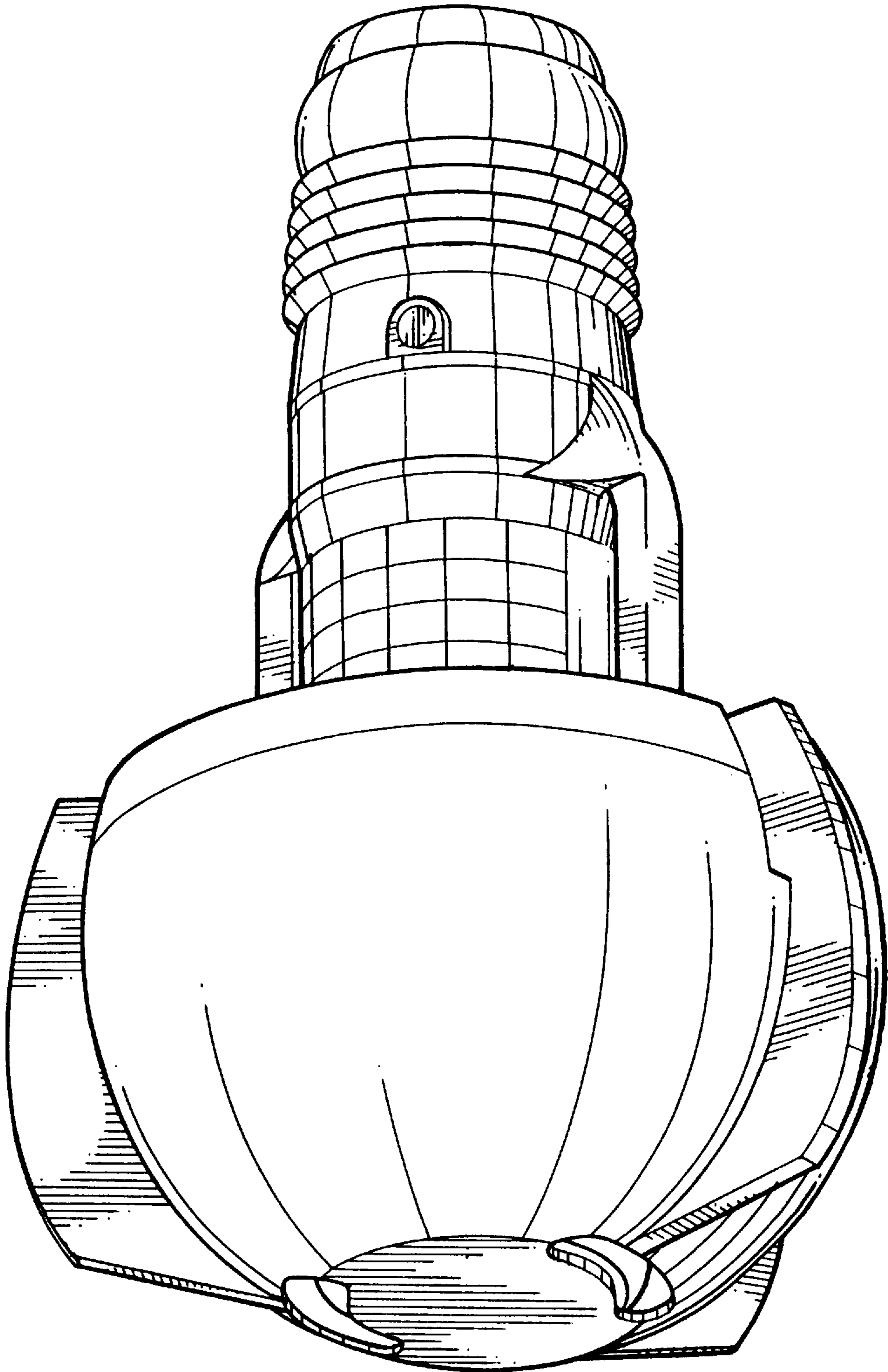


FIG. 2

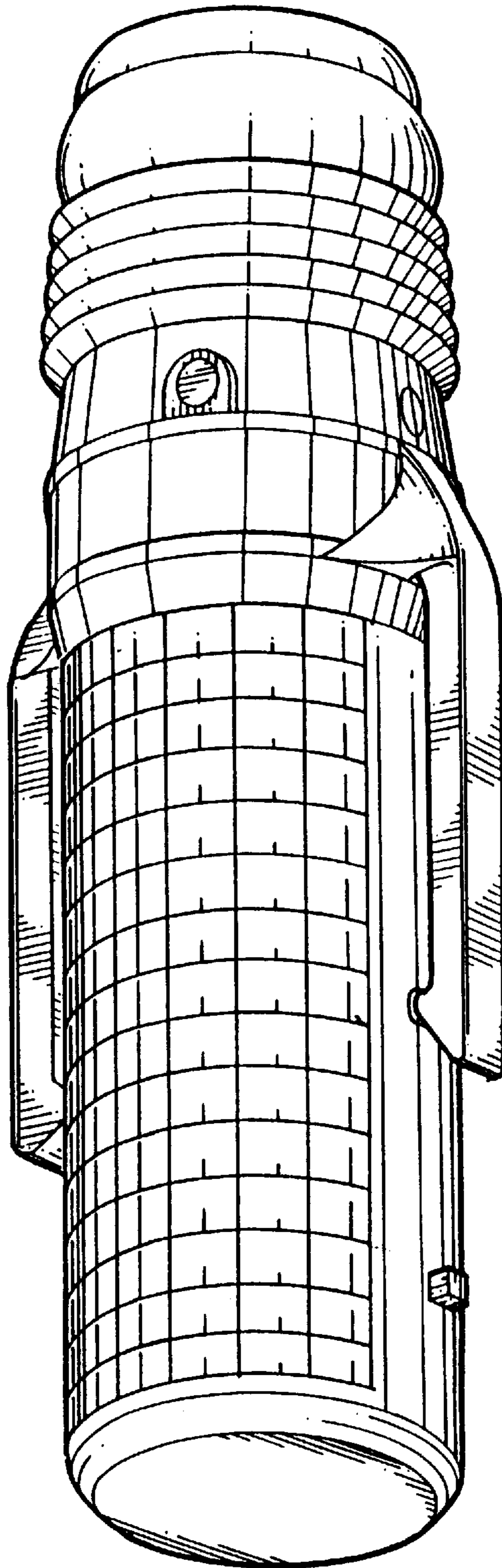


FIG. 3

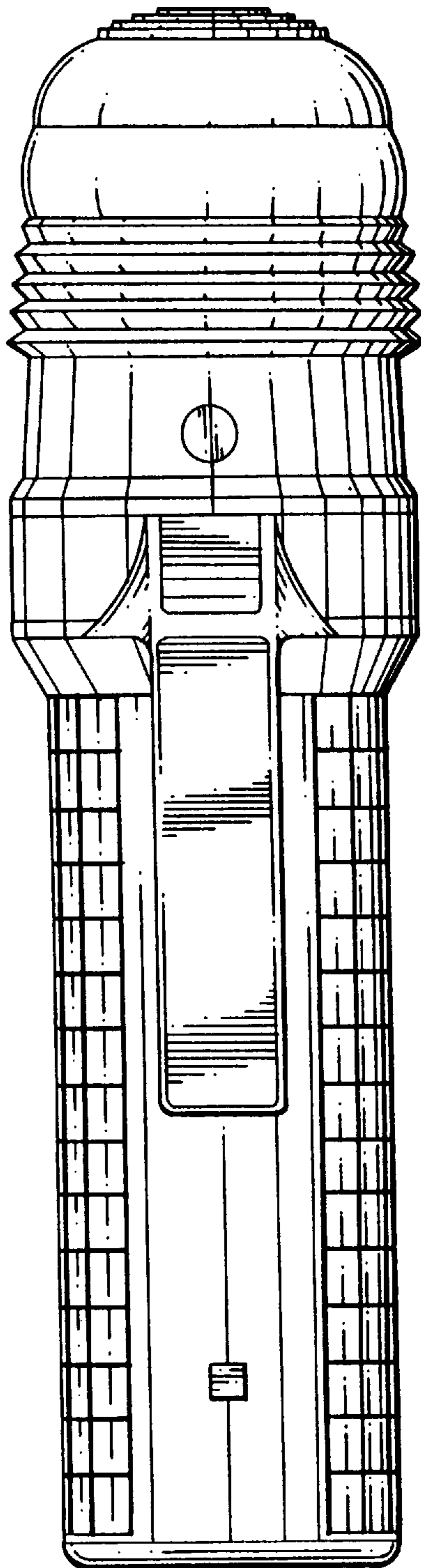


FIG. 4

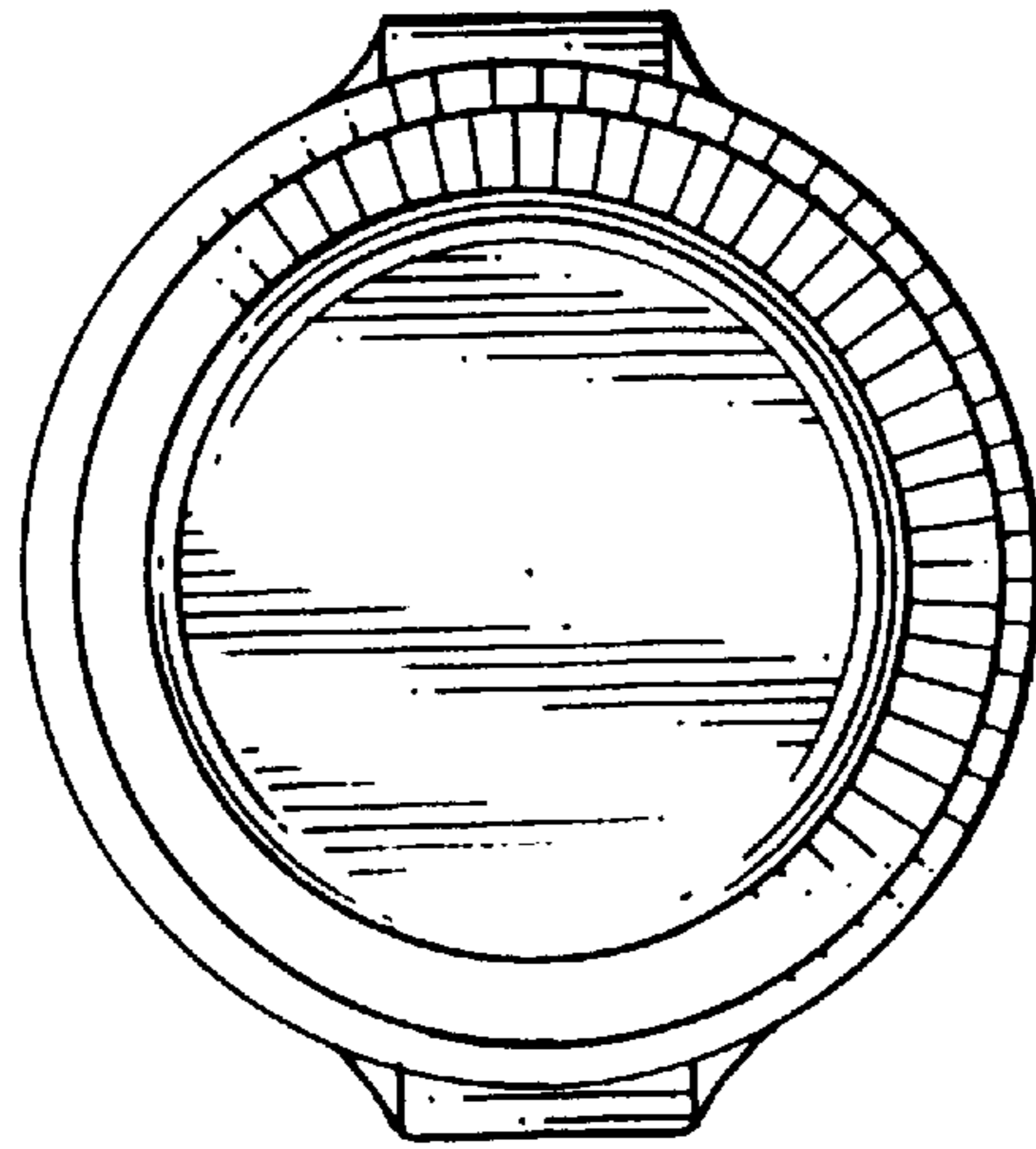


FIG. 6

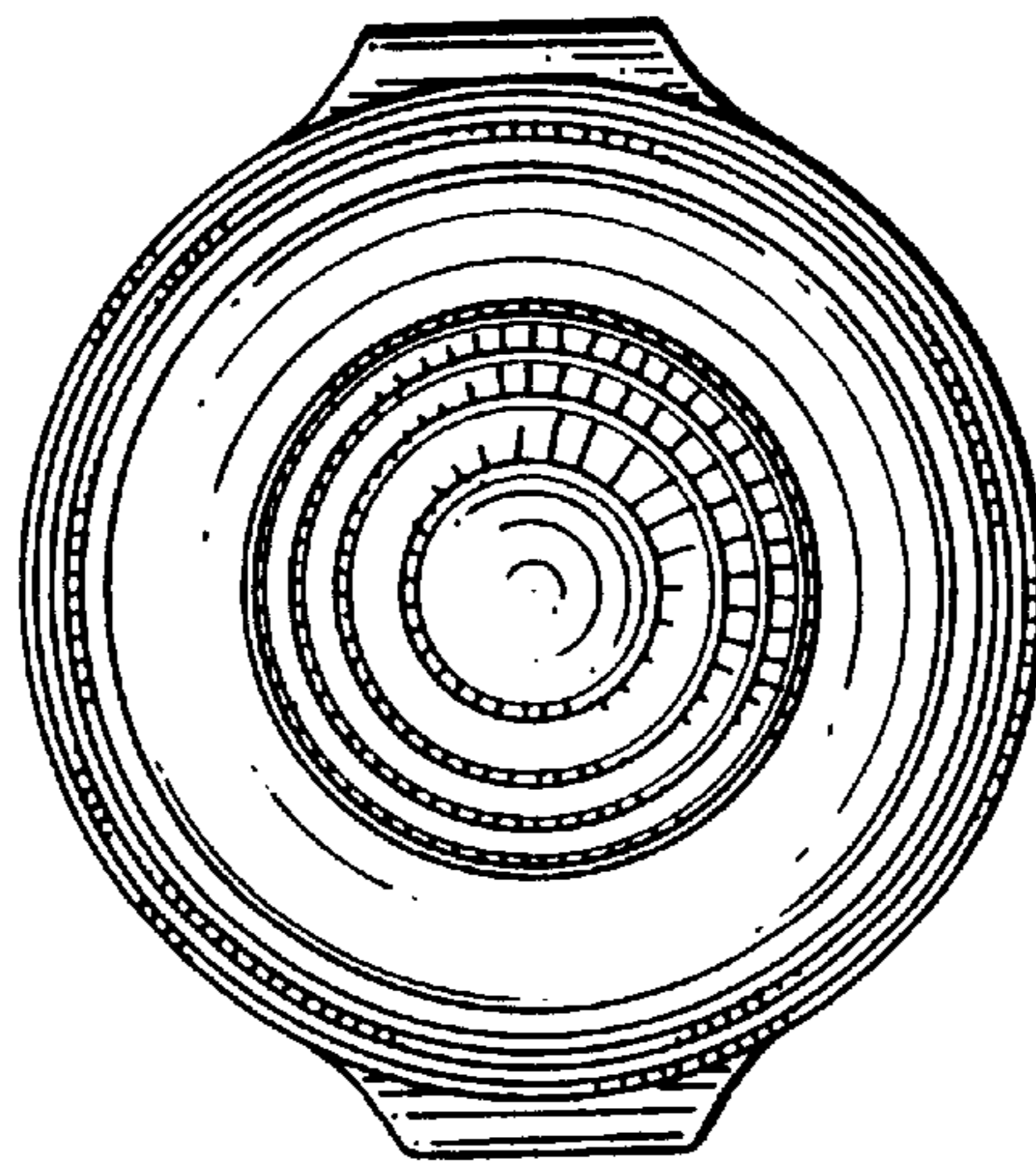


FIG. 5

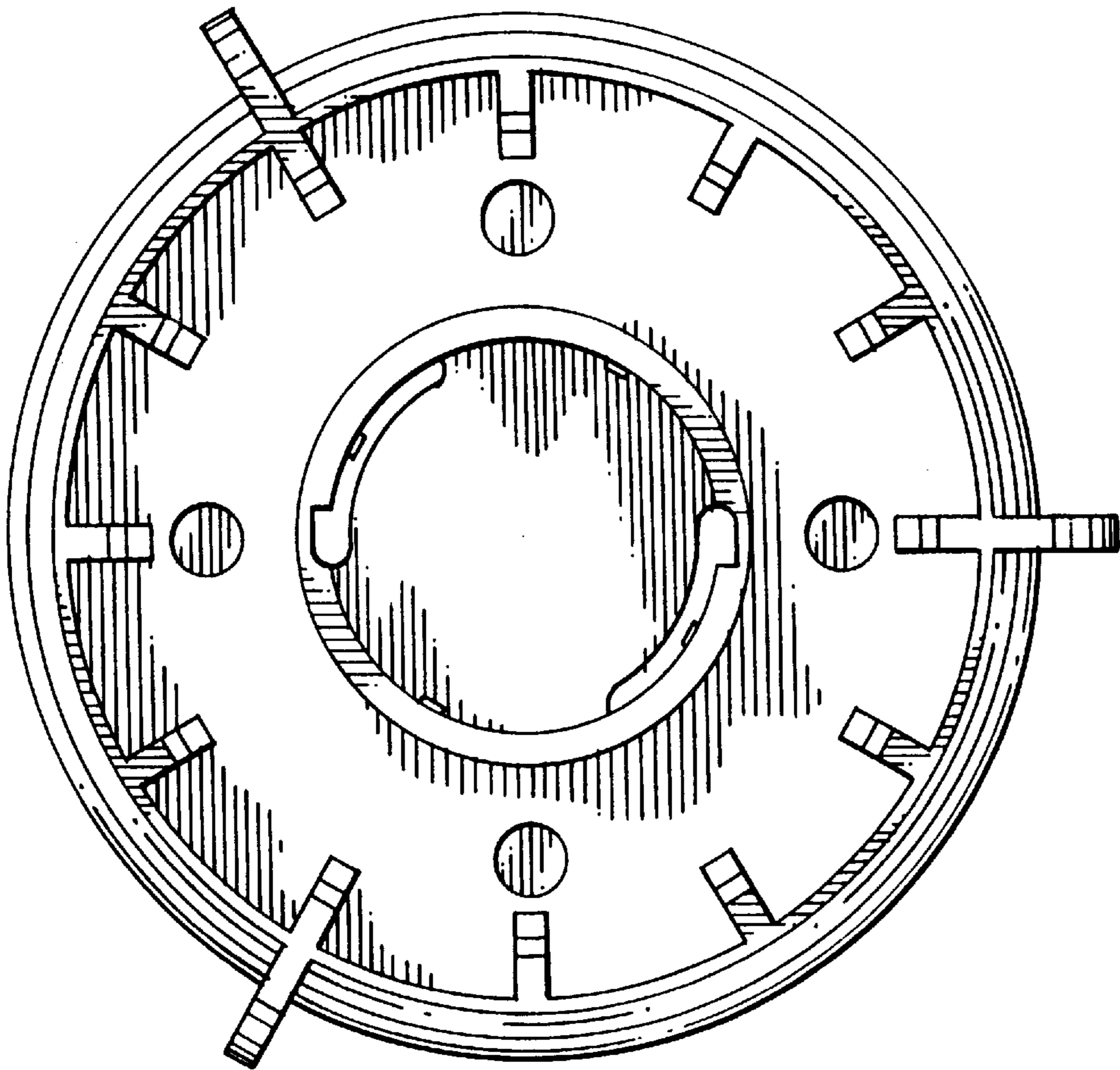


FIG. 7

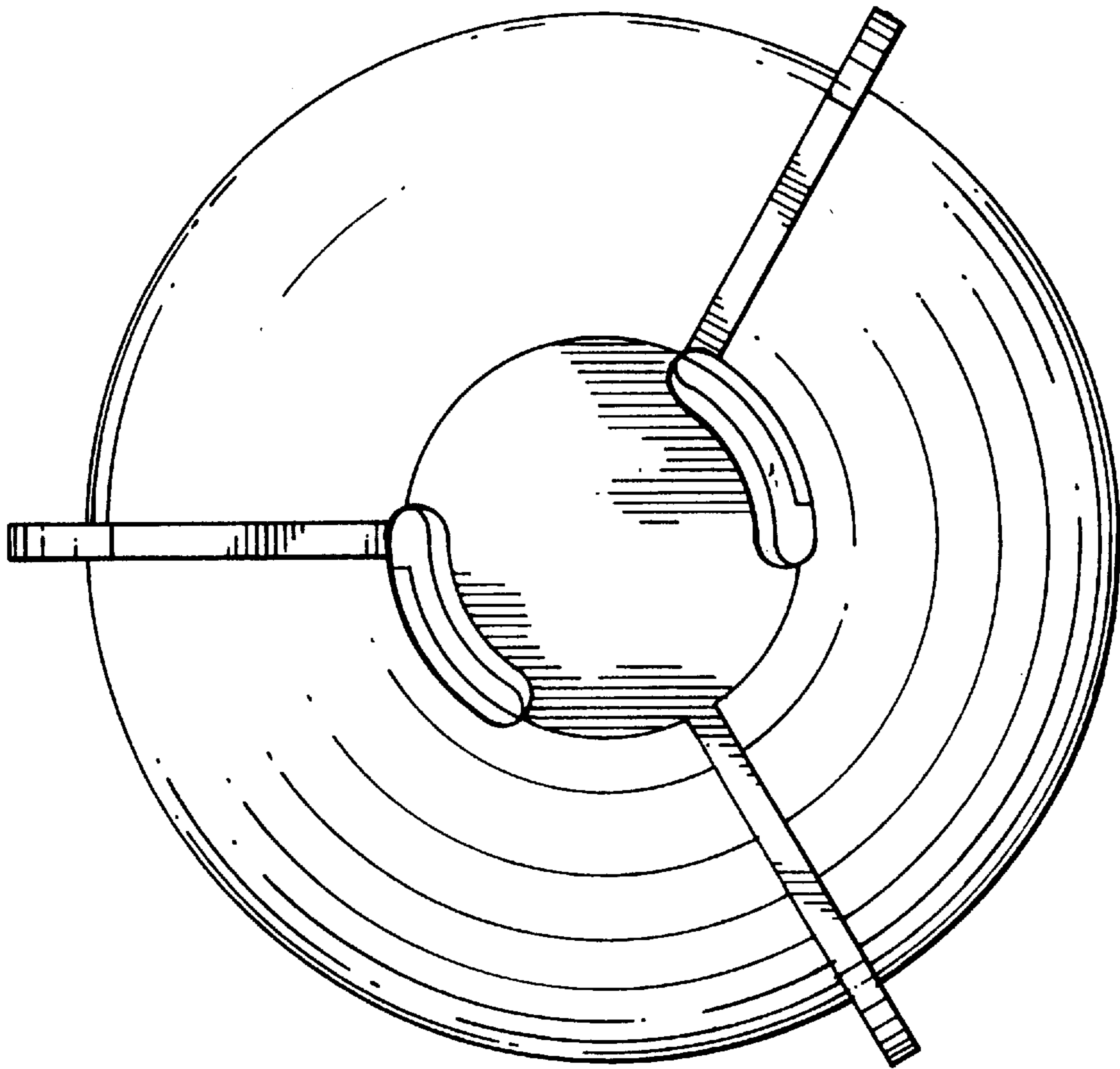


FIG. 8

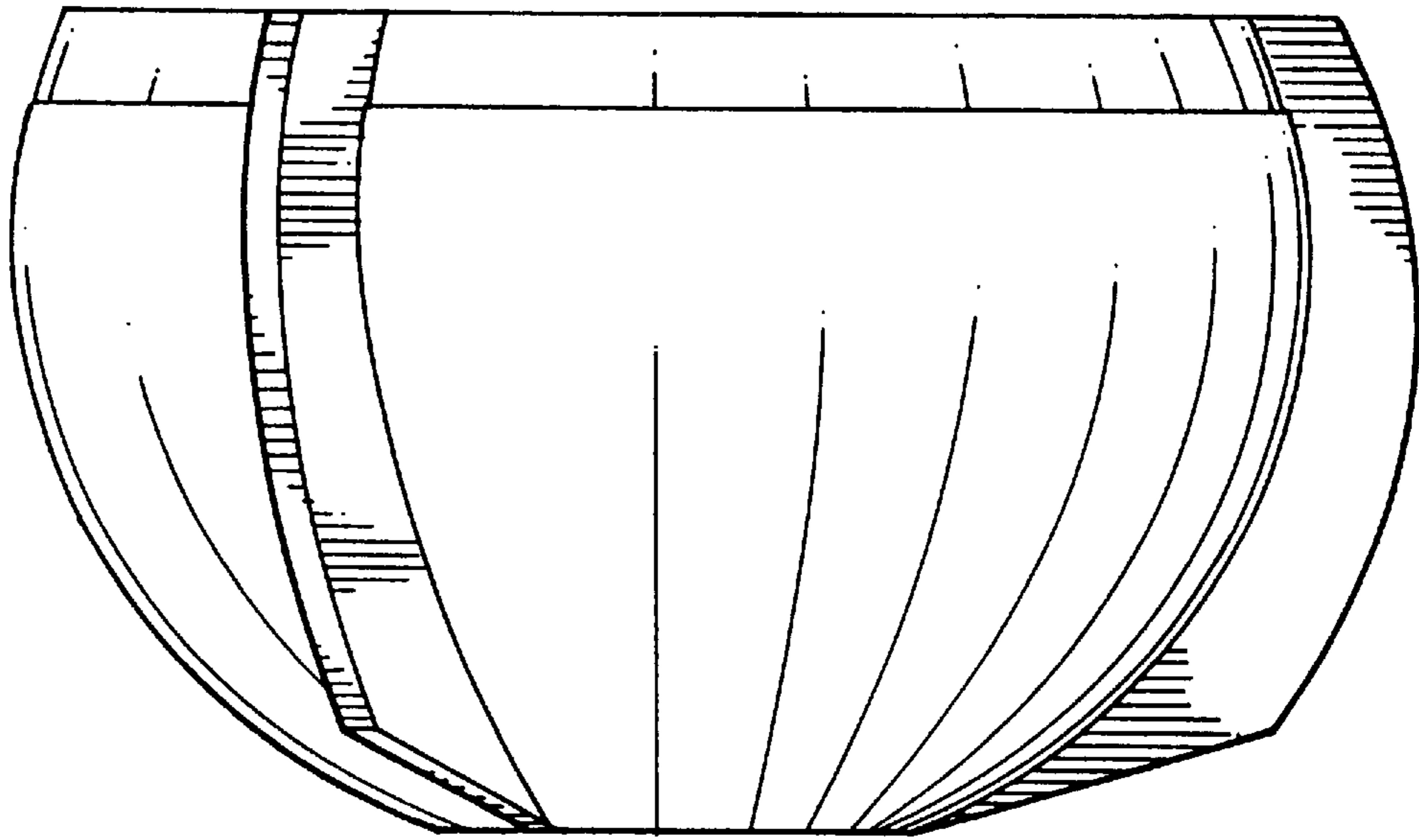


FIG. 9

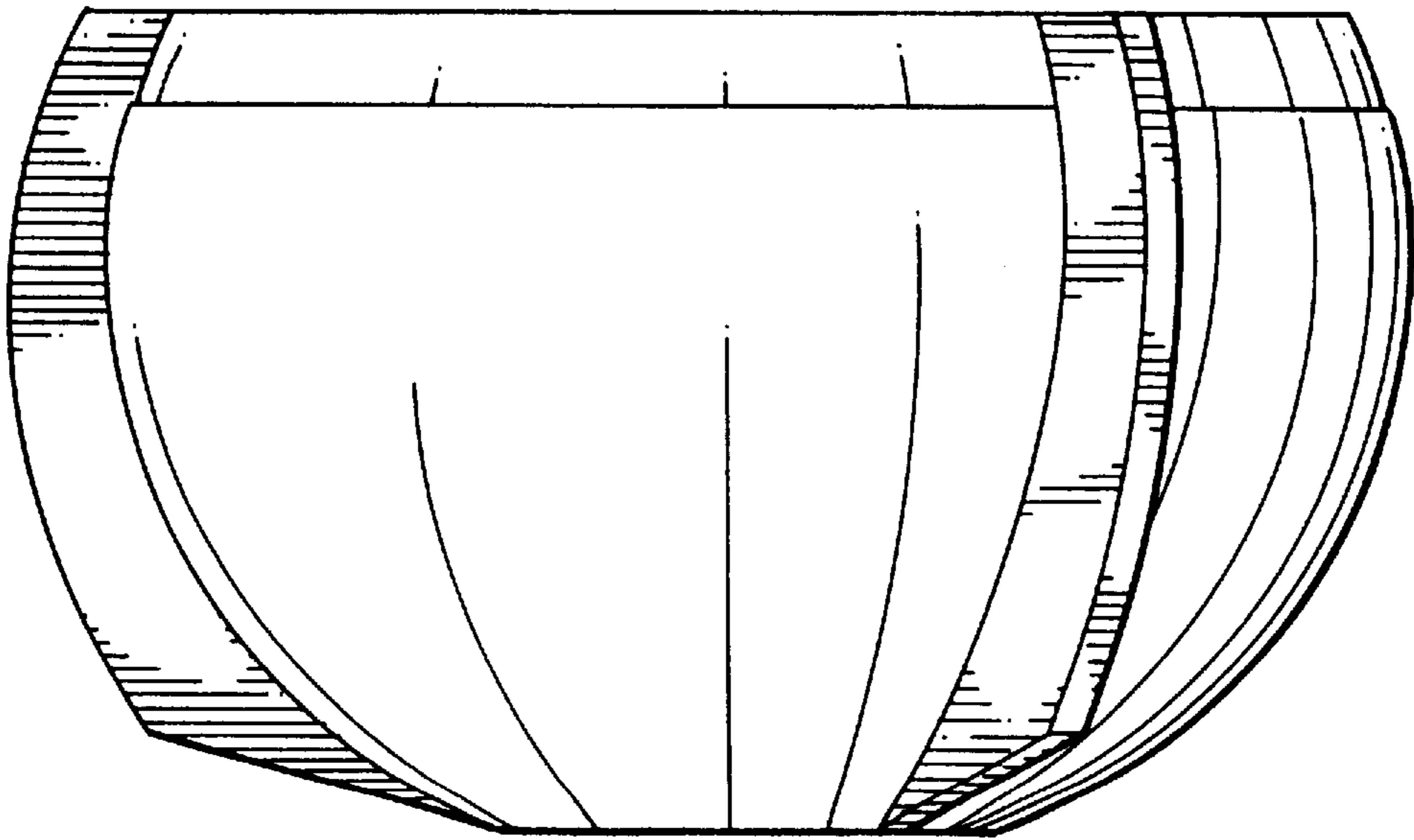


FIG. 10

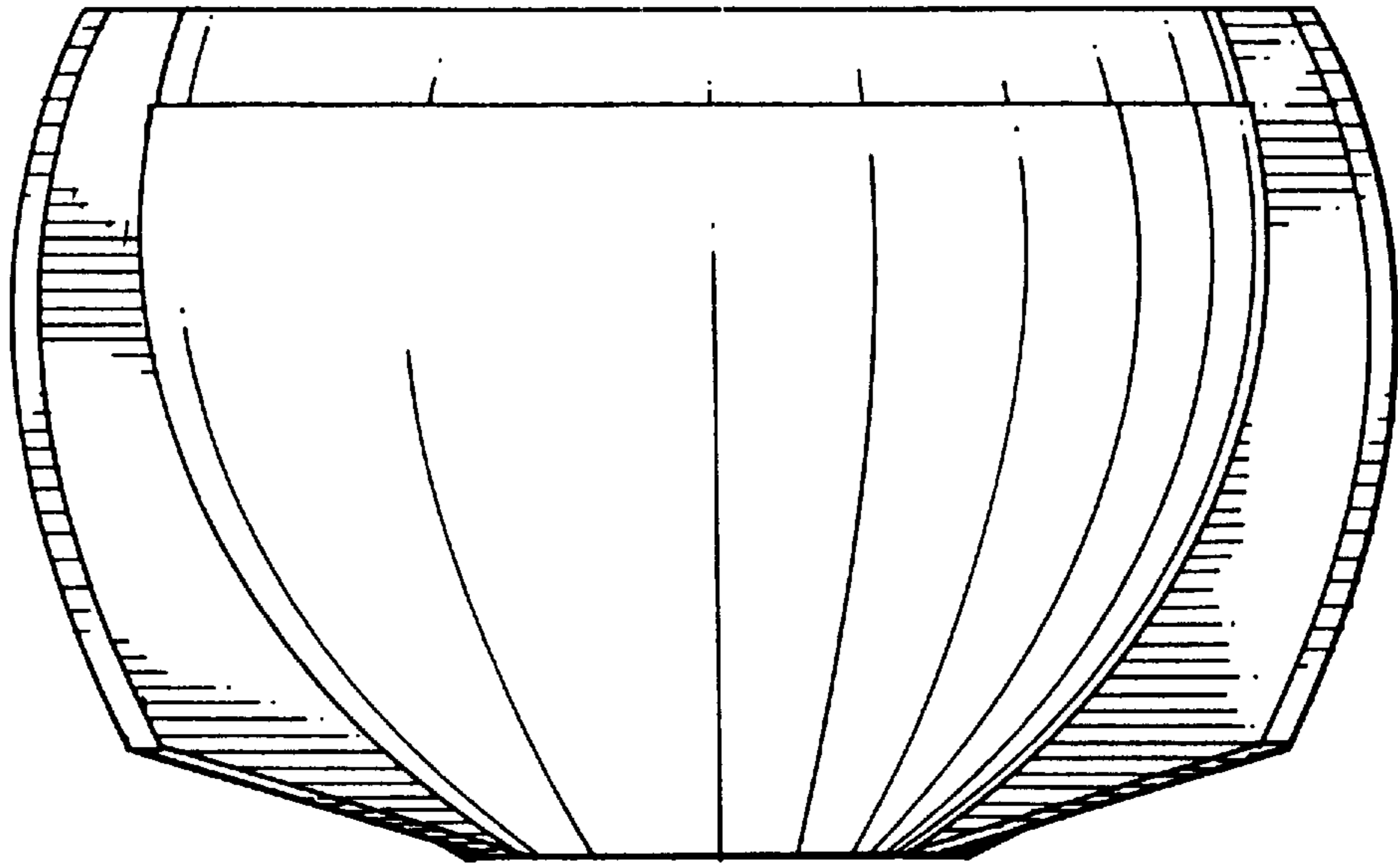


FIG. 11

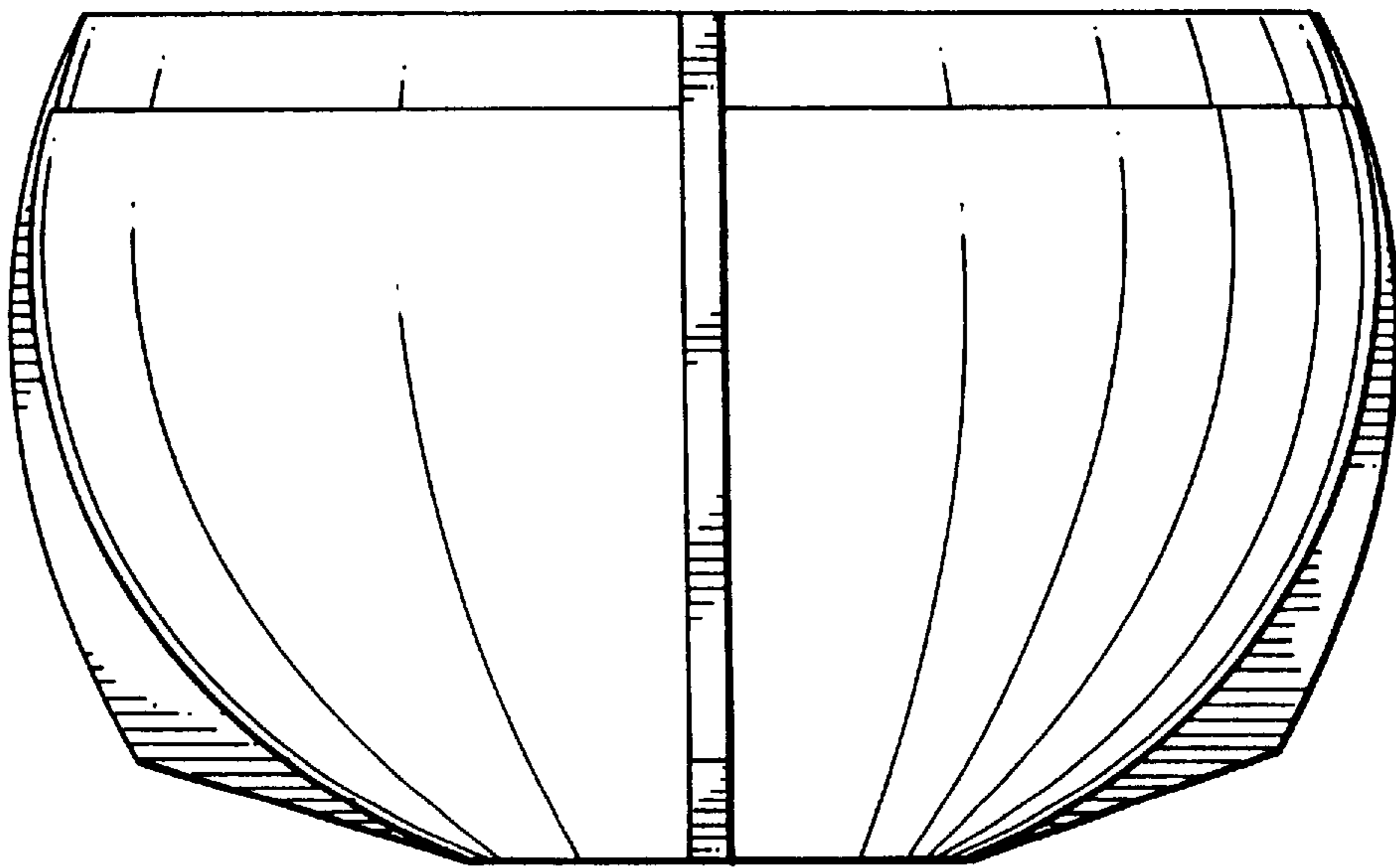


FIG. 12