



US00D402379S

United States Patent [19] Mimram

[11] **Patent Number: Des. 402,379**
[45] **Date of Patent: ***Dec. 8, 1998**

[54] **PYLON**

[75] Inventor: **Marc Mimram**, Paris, France

[73] Assignee: **Electricite de France**, Paris, France

[*] Notice: The portion of the term of this patent subsequent to May 20, 2011, has been disclaimed.

[**] Term: **14 Years**

[21] Appl. No.: **44,420**

[22] Filed: **Sep. 25, 1995**

[30] Foreign Application Priority Data

Mar. 23, 1995 [FR] France 95 1745

[51] **LOC (6) Cl.** **25-01**

[52] **U.S. Cl.** **D25/127; D25/126**

[58] **Field of Search** **D25/126, 129; 52/720.1, 726.4, 736.1, 736.2, 736.4**

[56] References Cited

U.S. PATENT DOCUMENTS

- D. 197,648 3/1964 Dreyfuss .
- D. 210,665 4/1968 Rhude .
- D. 211,089 5/1968 Dreyfuss .
- D. 211,995 8/1968 Dake .
- D. 219,343 12/1970 Rinaldi .
- D. 226,007 1/1973 Donovan et al. .
- D. 226,008 1/1973 Donovan et al. .
- 1,696,569 12/1928 Hill .
- 1,846,682 2/1932 Hamel 52/736.4
- 3,162,719 12/1964 Mulford .
- 3,299,586 1/1967 Hockaday .
- 3,439,107 4/1969 Scott .
- 3,509,678 5/1970 Dake .
- 3,571,991 3/1971 Dooley .
- 3,935,689 2/1976 Bladholm et al. .
- 4,194,080 3/1980 Meisberger .
- 4,314,434 2/1982 Meisberger .
- 5,081,804 1/1992 Anderson et al. 52/736.4

FOREIGN PATENT DOCUMENTS

- 03871 01 2/1978 Benelux TM/Des. Off. .
- 03871 05 2/1978 Benelux TM/Des. Off. .

- 03871 08 2/1978 Benelux TM/Des. Off. .
- 03871 09 2/1978 Benelux TM/Des. Off. .
- 03871 11 2/1978 Benelux TM/Des. Off. .
- 03871 12 2/1978 Benelux TM/Des. Off. .
- 03871 14 2/1978 Benelux TM/Des. Off. .
- 37583 8/1890 Canada .
- 29810 9/1967 Canada .
- 30193 1/1968 Canada .
- 67430 11/1990 Canada .
- 75027 of 1994 Canada .
- 020 476 8/1991 France .
- 028 761 2/1994 France .
- 41050 10/1986 Germany .
- 9403894.5 5/1994 Germany .
- 35400 2/1983 Italy .
- 42479 9/1984 Italy .
- 49432 6/1986 Italy .
- 53327 3/1988 Italy .
- 21629 8/1989 Italy .
- 34061 8/1989 Italy .
- 053105 6/1990 Italy .
- 015138 7/1990 Italy .
- 053145 7/1990 Italy .
- 122970 9/1990 Italy .
- 419890 11/1975 Japan .
- 485681 7/1978 Japan .
- 520379 9/1979 Japan .
- 520380 9/1979 Japan .
- 520381 9/1979 Japan .
- 521287 9/1979 Japan .
- 521288 9/1979 Japan .

(List continued on next page.)

Primary Examiner—Doris Clark
Attorney, Agent, or Firm—Larson & Taylor

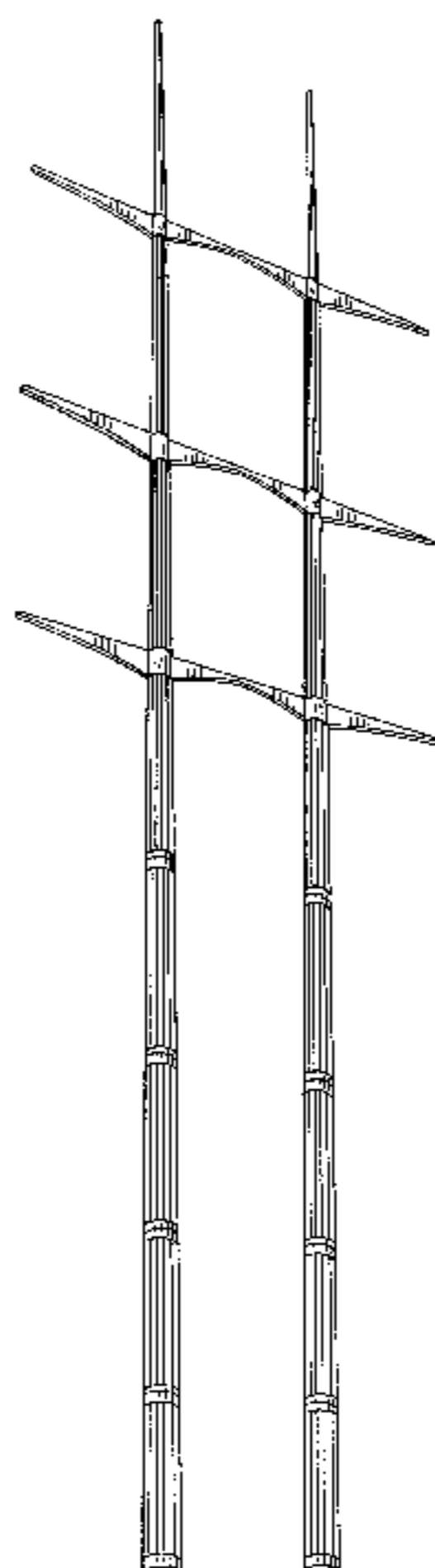
[57] CLAIM

The ornamental design for a pylon, as shown and described.

DESCRIPTION

FIG. 1 is a front elevational view of a pylon showing my new design, with the rear view being identical;
FIG. 2 is a right side elevational view thereof, the other side being identical;
FIG. 3 is a top plan view thereof; and,
FIG. 4 is a perspective view thereof.

1 Claim, 2 Drawing Sheets



Des. 402,379

Page 2

U.S. PATENT DOCUMENTS

520380-1	4/1980	Japan .	625696	2/1984	Japan .
563756	7/1981	Japan .	708584	4/1987	Japan .
603433	3/1983	Japan .	715975	7/1987	Japan .
603434	3/1983	Japan .	793369	5/1990	Japan .
603433-1	11/1983	Japan .	983411	2/1978	United Kingdom .
			983418	2/1978	United Kingdom .

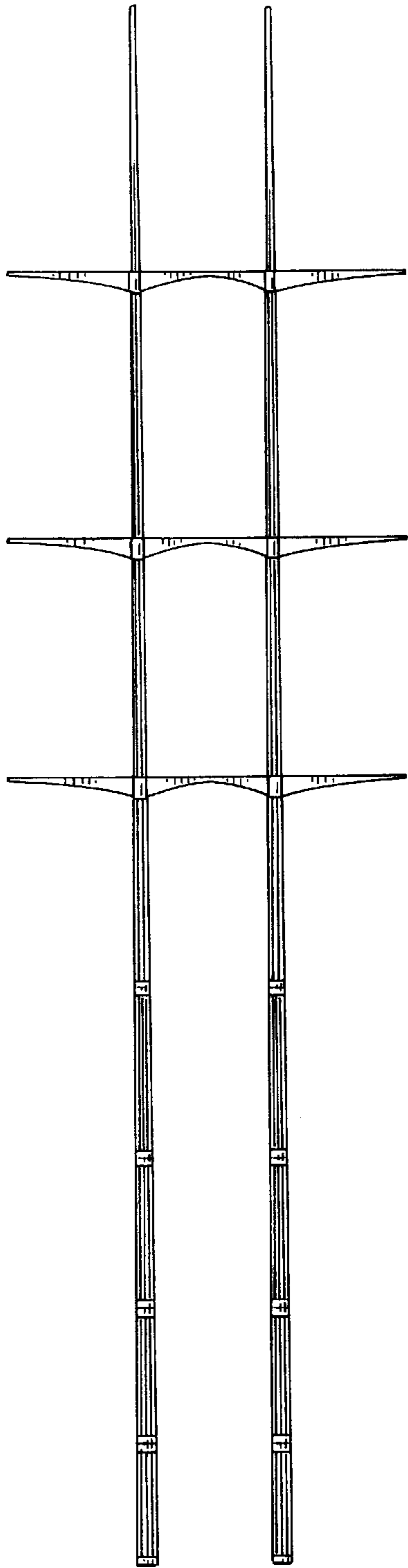


FIG. 1



FIG. 2



FIG. 3

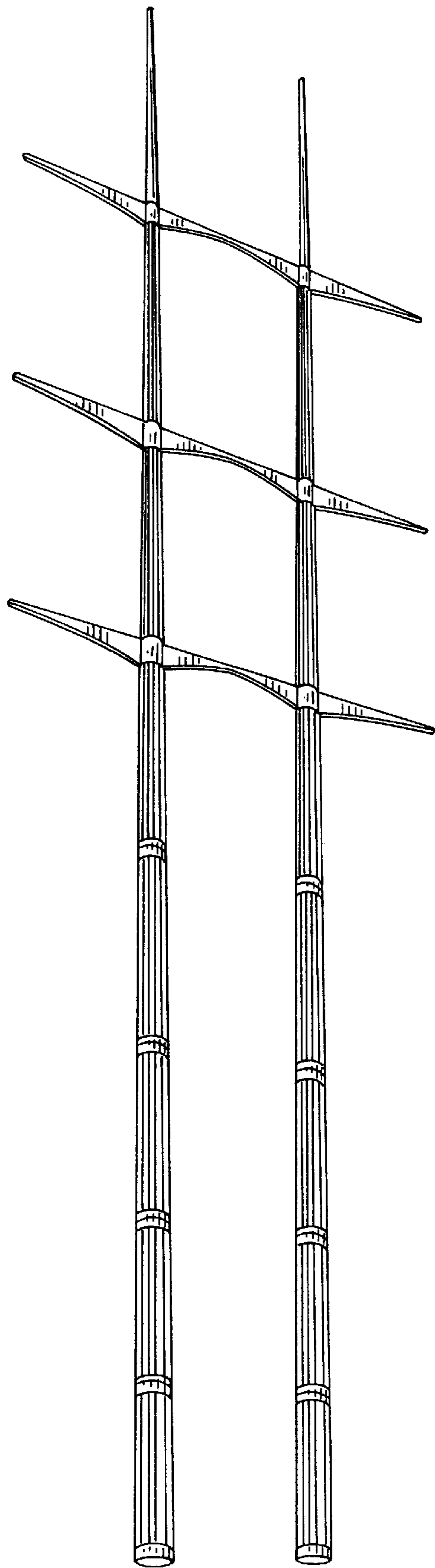


FIG. 4