

US00D402373S

United States Patent [19]
James

[11] **Patent Number: Des. 402,373**

[45] **Date of Patent: **Dec. 8, 1998**

[54] **PORTABLE SUNSHADE**

[76] Inventor: **Rodney James**, 1460 Mara Vista Ct.,
Crofton, Md. 21114

[**] Term: **14 Years**

[21] Appl. No.: **76,327**

[22] Filed: **Sep. 18, 1997**

[51] **LOC (6) Cl.** **25-03**

[52] **U.S. Cl.** **D25/16**

[58] **Field of Search** D25/58, 16, 33;
135/87

[56] **References Cited**

U.S. PATENT DOCUMENTS

D. 344,593	2/1994	Monfils	D25/58
D. 349,163	7/1994	Ravsmussen	D25/16
5,012,832	5/1991	Turner	135/87
5,379,786	1/1995	Lynam	135/87

Primary Examiner—Doris Clark
Attorney, Agent, or Firm—Banner & Witcoff, Ltd

[57] **CLAIM**

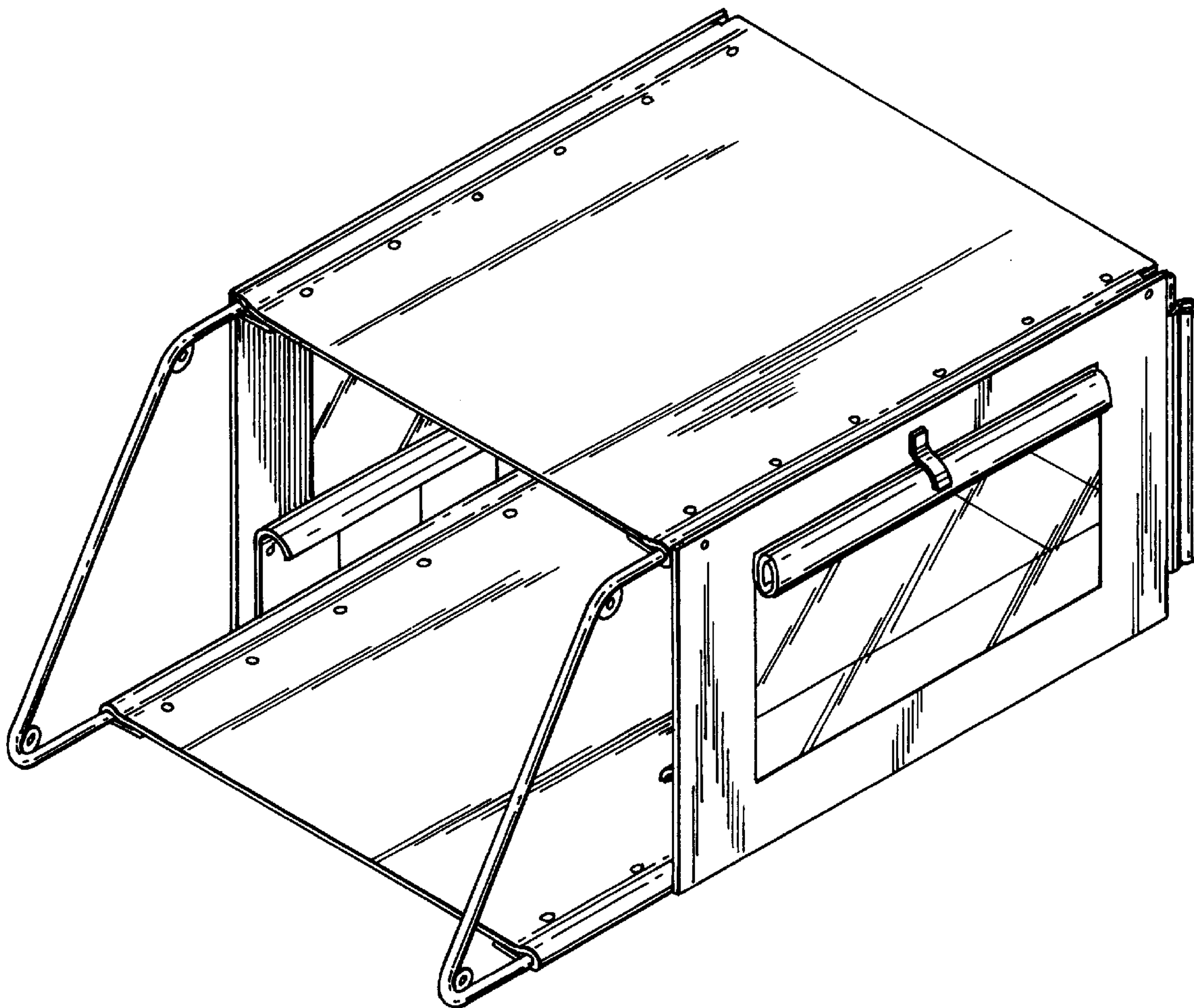
The ornamental design for a portable sunshade, as shown and described.

DESCRIPTION

FIG. 1 is a perspective view of a portable sunshade embodying my new design;
FIG. 2 is a side elevational view of the portable sunshade shown in FIG. 1;
FIG. 3 is a front elevational view of the portable sunshade shown in FIG. 1;
FIG. 4 is a rear elevational view of the portable sunshade shown in FIG. 1; and,
FIG. 5 is a top plan view of the portable sunshade shown in FIG. 1.

The bottom surface of the portable sunshade is substantially plain and forms no part of the claimed design.

1 Claim, 2 Drawing Sheets



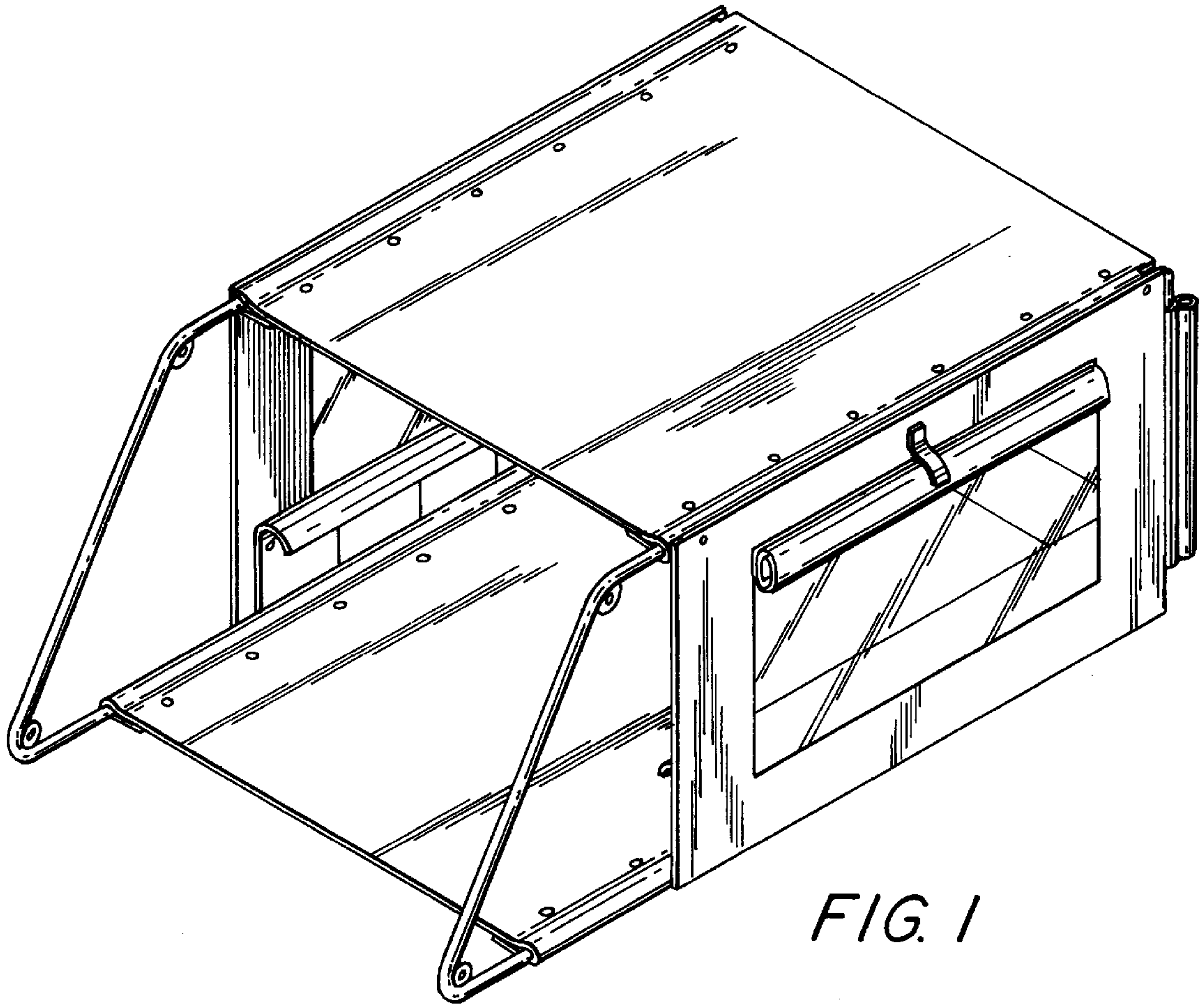


FIG. 1

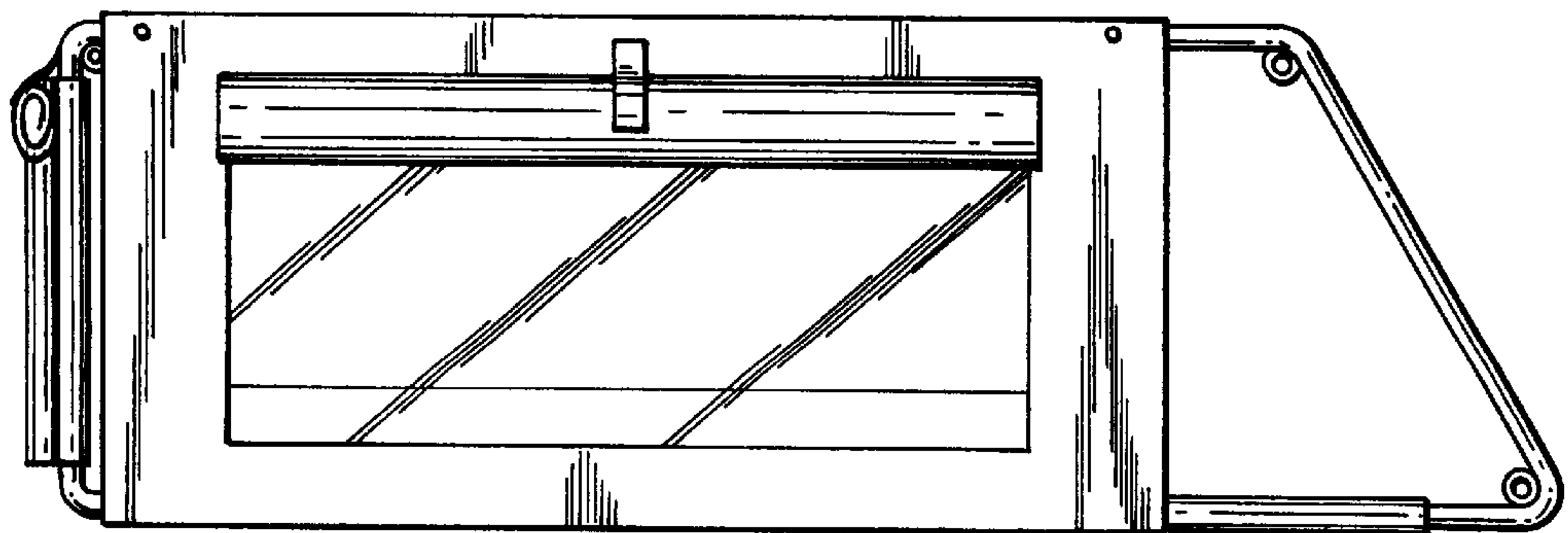


FIG. 2

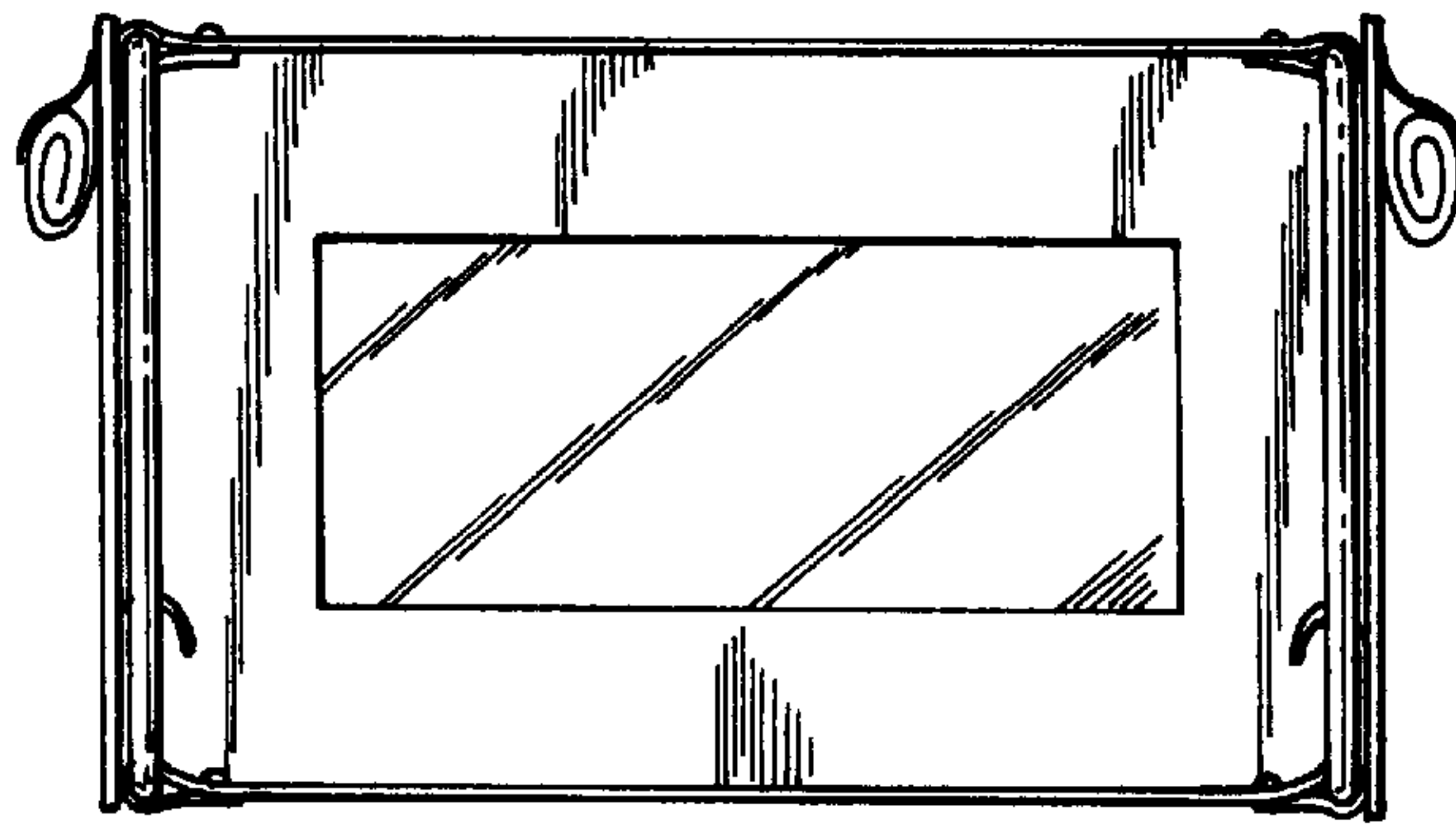


FIG. 3

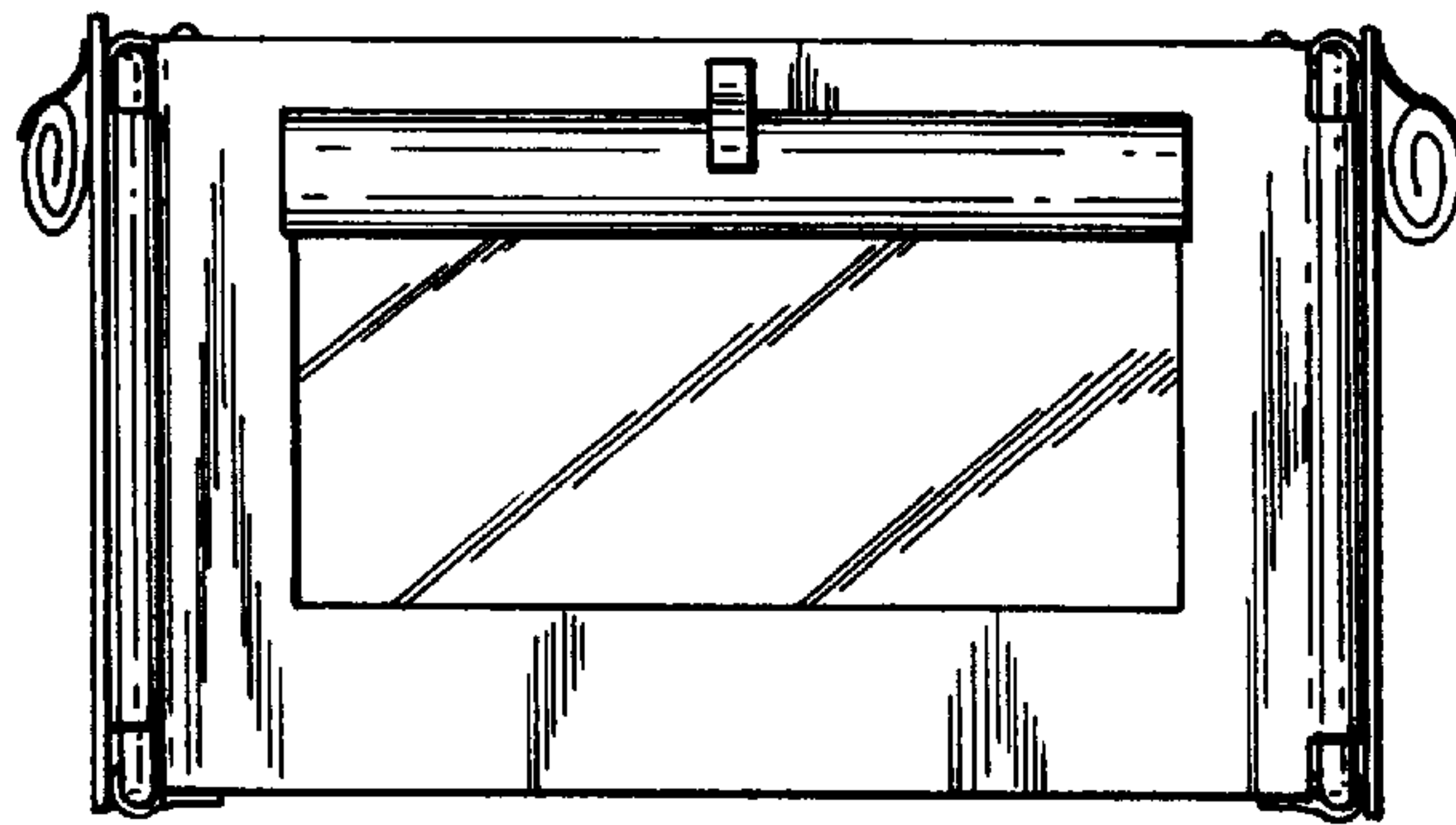


FIG. 4

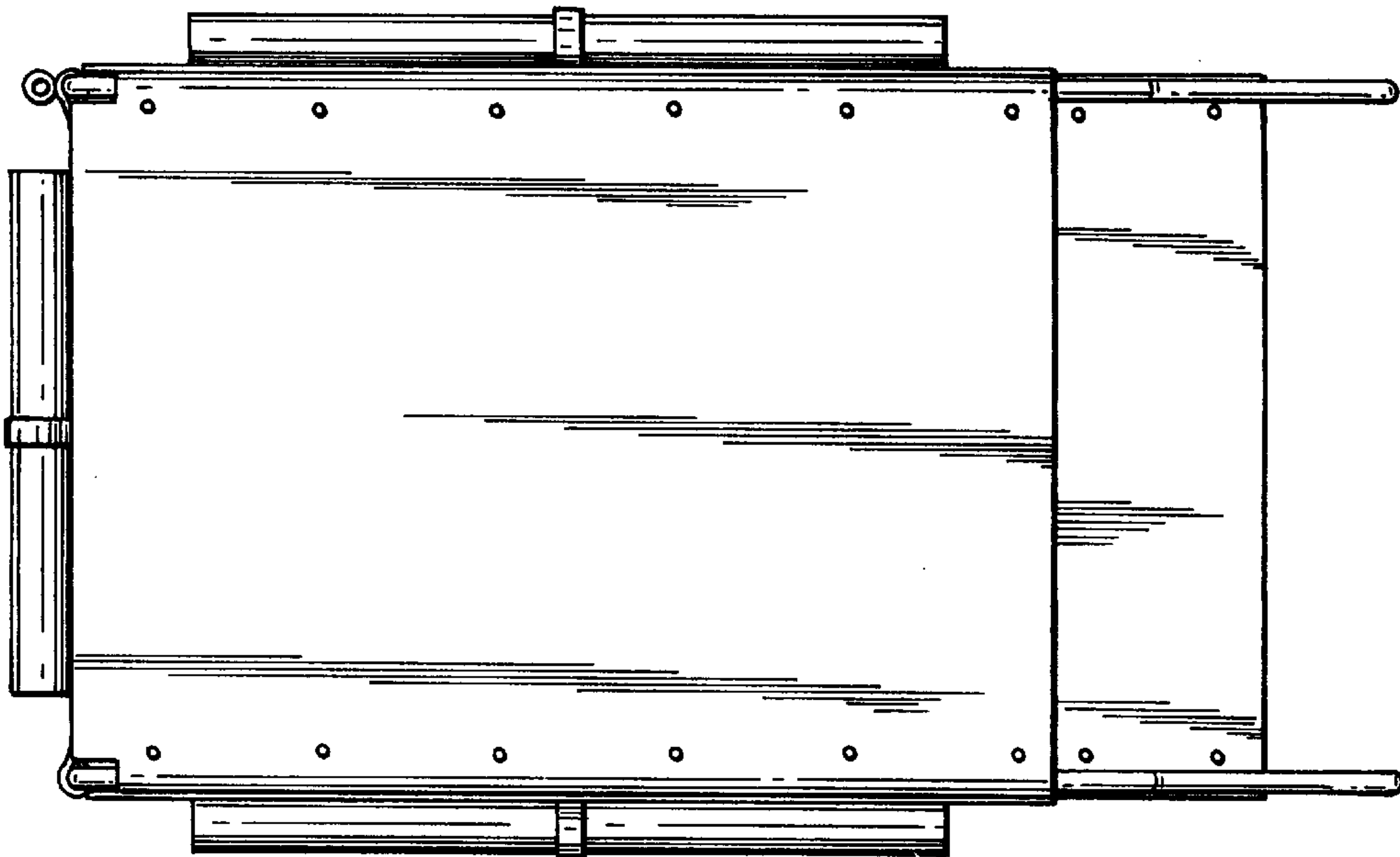


FIG. 5

**UNITED STATES PATENT AND TRADEMARK OFFICE
CERTIFICATE OF CORRECTION**

PATENT NO. : Des. 402,273

DATED : Dec. 8, 1998

INVENTOR(S) : Kataoka et al.

It is certified that error appears in the above-identified patent and that said Letters Patent is hereby corrected as shown below:

Item

In [30] Foreign Application Priority Data, please add the following:

--Dec. 11, 1996 [JP] Japan.....8-37849--.

Signed and Sealed this

Twenty-third Day of March, 1999

Attest:



Q. TODD DICKINSON

Attesting Officer

Acting Commissioner of Patents and Trademarks