



US00D402372S

United States Patent [19]

[11] **Patent Number: Des. 402,372**

Burchett et al.

[45] **Date of Patent: **Dec. 8, 1998**

[54] **NURSING BOTTLE**

[75] **Inventors: Mark T. Burchett; Lori Welsandt**
Burchett, both of Western Springs, Ill.

[73] **Assignee: The Medicine Bottle Company, Inc.,**
Chicago, Ill.

[**] **Term: 14 Years**

4,874,368 10/1989 Miller et al. .
 4,898,291 2/1990 Sailors 215/11.4
 4,915,695 4/1990 Koobs .
 5,029,701 7/1991 Roth et al. .
 5,041,088 8/1991 Ritson et al. .
 5,078,734 1/1992 Noble .
 5,116,315 5/1992 Capozzi et al. .
 5,129,532 7/1992 Martin .
 5,176,705 1/1993 Noble 606/236
 5,383,906 1/1995 Burchett et al. 606/236
 5,487,750 1/1996 Burchett et al. 606/236

[21] **Appl. No.: 58,811**

[22] **Filed: Aug. 23, 1996**

[51] **LOC (6) Cl. 07-01**

[52] **U.S. Cl. D24/197**

[58] **Field of Search D24/197, 116;**
215/11.1, 11.2, 11.3, 11.4, 11.5, 11.6; 600/236

FOREIGN PATENT DOCUMENTS

1482876 2/1966 France .
 92-077909/10 6/1991 U.S.S.R. .

OTHER PUBLICATIONS

“Medibottle” flier published by The Medicine Bottle Company, Inc. beginning in 1996 (month unknown).

Primary Examiner—Stella Reid
Attorney, Agent, or Firm—Niro, Scavone, Haller & Niro

[56] **References Cited**
U.S. PATENT DOCUMENTS

1,894,115 4/1933 Murphy .
 2,680,441 3/1954 Krammer .
 3,077,279 2/1963 Mitchell .
 3,426,755 2/1969 Clegg .
 3,645,413 2/1972 Mitchell .
 3,682,344 8/1972 Lopez .
 3,704,803 12/1972 Ponder 215/11.4 X
 3,872,864 3/1975 Allen, Jr. .
 4,239,132 12/1980 Mueller et al. 215/11.5 X
 4,493,348 1/1985 Lemmons .
 4,609,371 9/1986 Pizzino .
 4,637,818 1/1987 Johnson et al. .
 4,655,747 4/1987 Allen, Jr. .
 4,735,616 4/1988 Eible et al. .
 4,821,895 4/1989 Roskilly .
 4,834,714 5/1989 Lascar et al. .

[57] **CLAIM**
 The ornamental design for a nursing bottle, as shown.

DESCRIPTION

FIG. 1 is a perspective view of a nursing bottle showing our new design;
 FIG. 2 is an enlarged top plan view thereof;
 FIG. 3 is a front elevational view, the rear elevational view being identical thereto;
 FIG. 4 is a side elevational view thereof, the opposite side elevational view being identical thereto; and,
 FIG. 5 is a bottom view thereof.

1 Claim, 1 Drawing Sheet

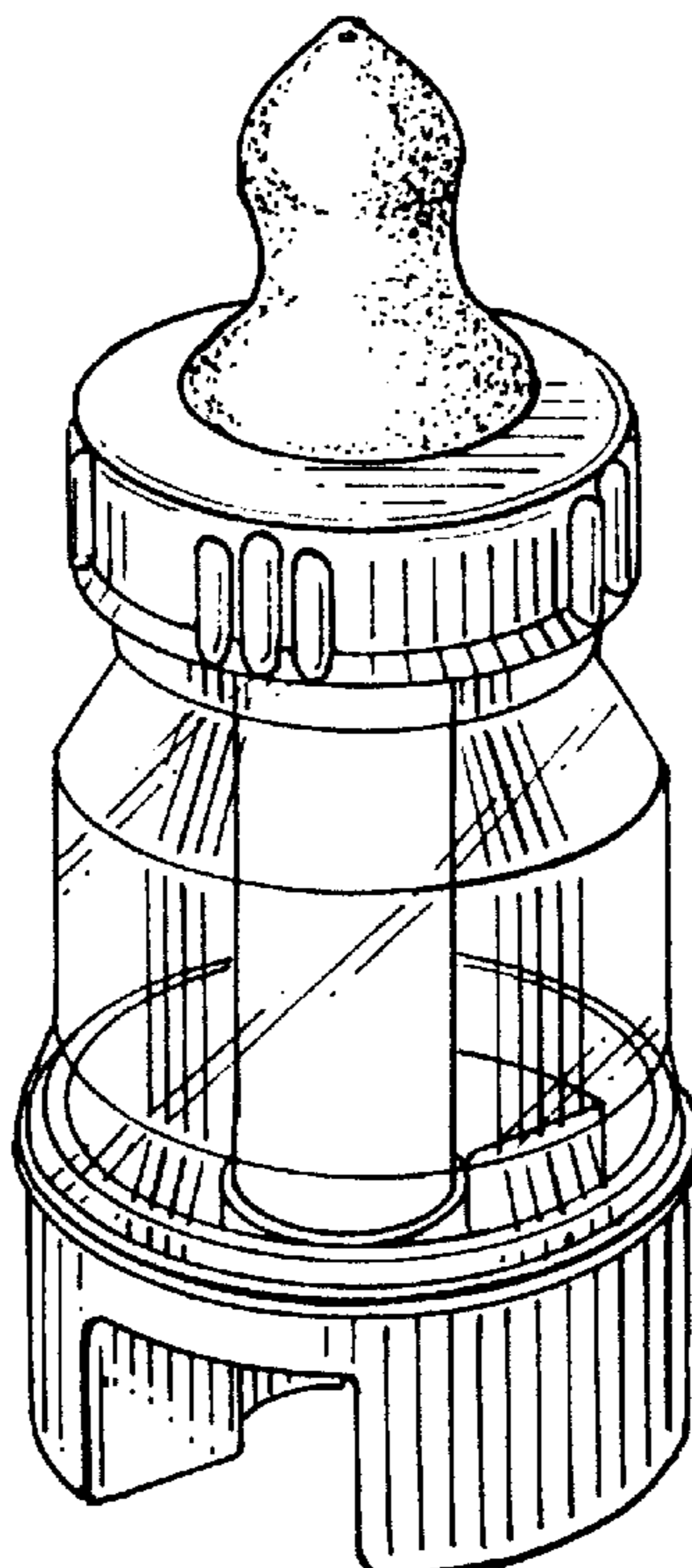


FIG. 1

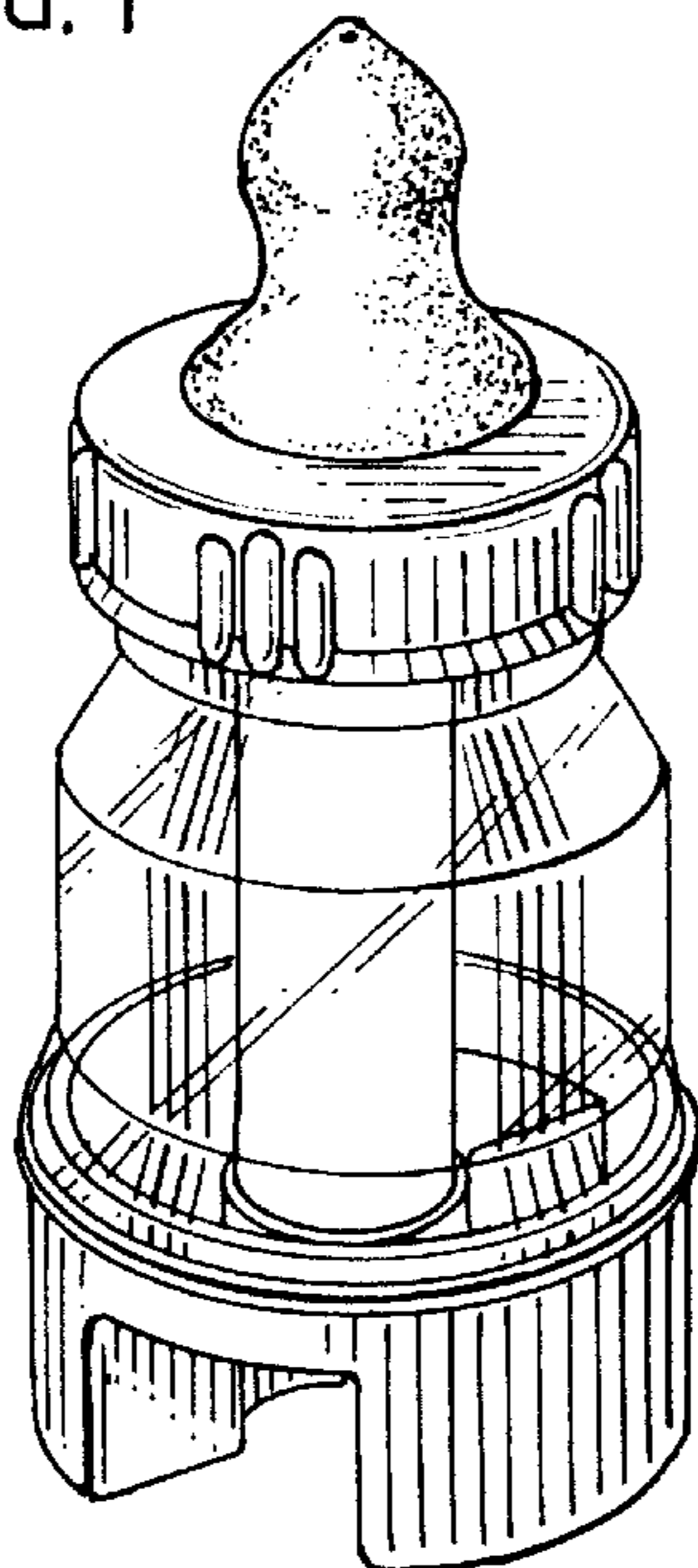


FIG. 2

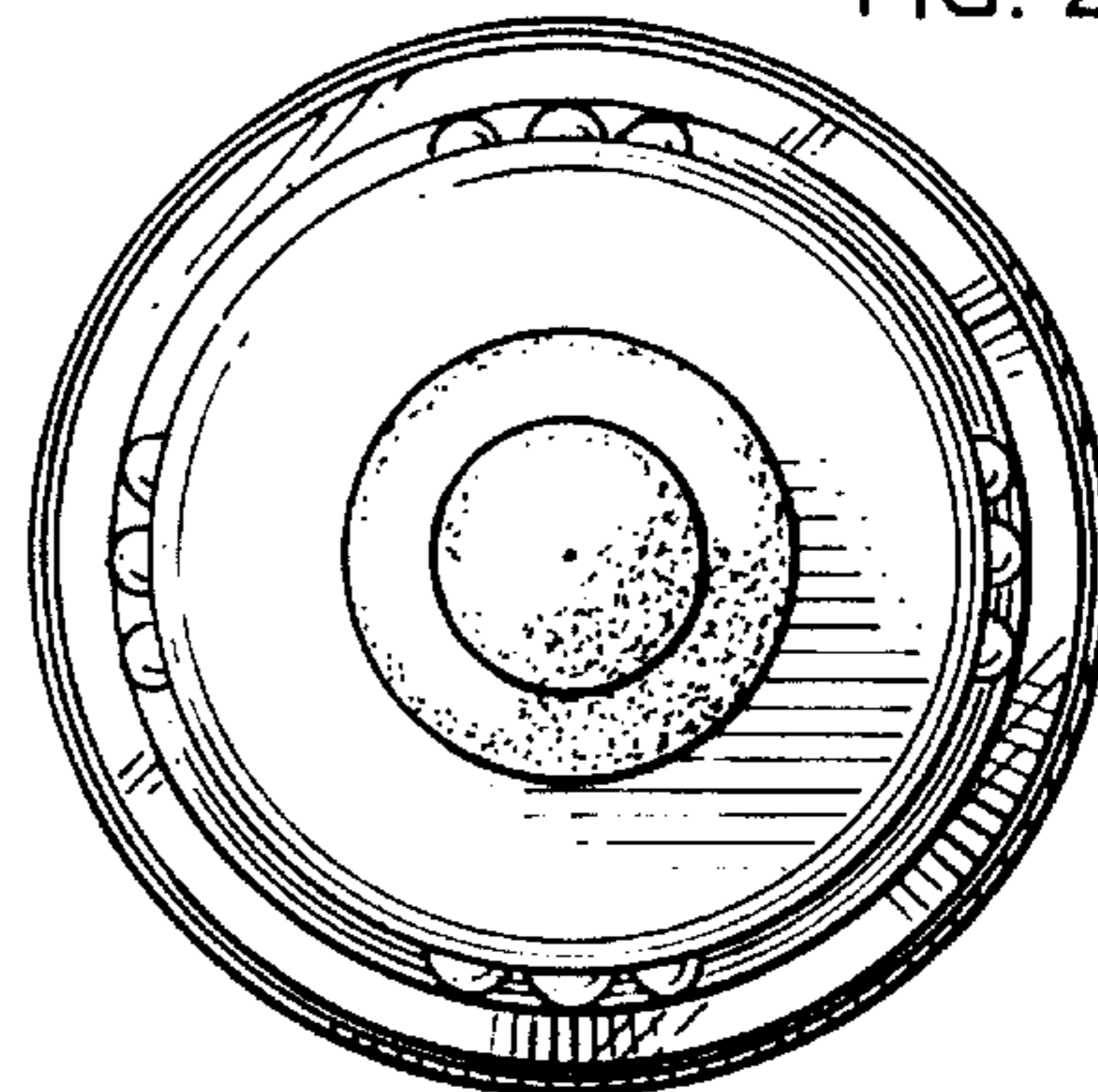


FIG. 3

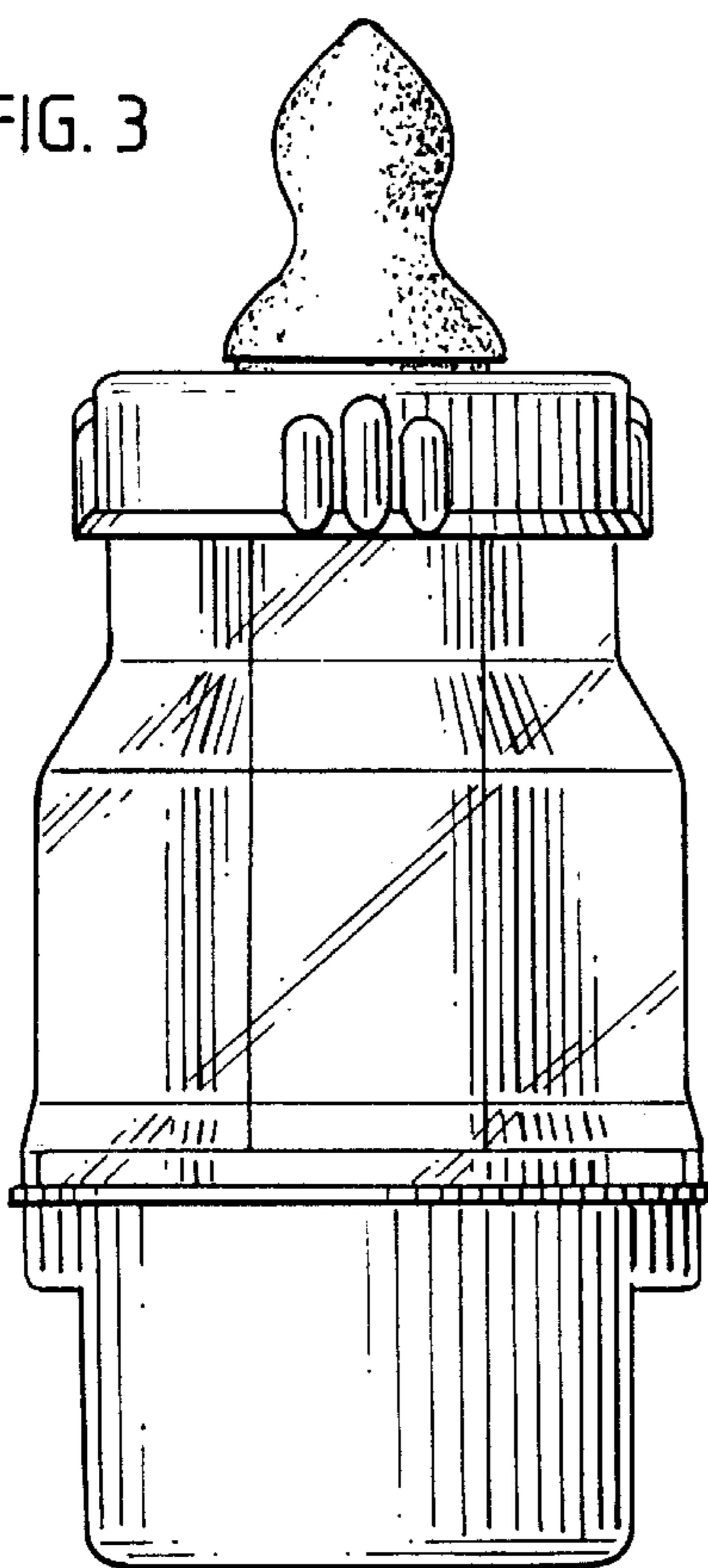


FIG. 4

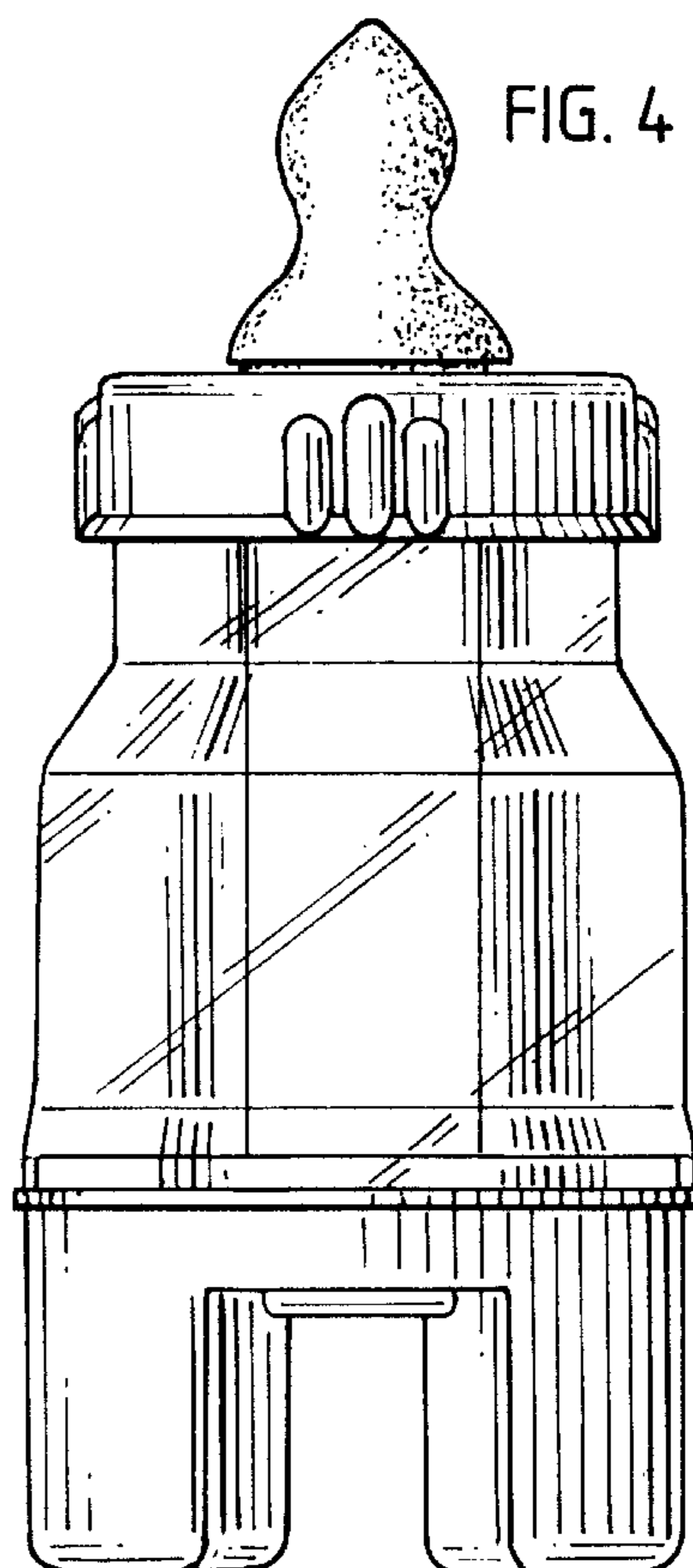


FIG. 5

