



US00D402371S

# United States Patent [19]

Haynes et al.

[11] **Patent Number:** **Des. 402,371**

[45] **Date of Patent:** **\*\*Dec. 8, 1998**

[54] **BANDAGE**

3,425,412	2/1969	Pope .....	D24/189 X
3,687,136	8/1972	Carmody .....	602/58
3,888,247	6/1975	Stenvall .....	602/59

[76] Inventors: **Lynda Haynes**, 8780 Sommer Walk, Indianapolis, Ind. 46227; **Vicci L. Carney**, 8812 Summer Walk, Indianapolis, Ind. 46227

*Primary Examiner*—Louis S. Zarfes  
*Assistant Examiner*—G. Andoll

[\*\*] Term: **14 Years**

[57] **CLAIM**

The ornamental design for a bandage, as shown.

[21] Appl. No.: **74,486**

**DESCRIPTION**

[22] Filed: **Jul. 31, 1997**

[51] **LOC (6) Cl.** ..... **24-04**

[52] **U.S. Cl.** ..... **D24/189**

[58] **Field of Search** ..... D24/189; 602/41, 602/42, 43, 47, 52, 54, 55, 57, 58, 59

FIG. 1 is a front elevational view of a bandage, showing our new design;  
FIG. 2 is a back elevational view thereof;  
FIG. 3 is a left side elevational view thereof;  
FIG. 4 is a right side elevational view thereof;  
FIG. 5 is a top plan view thereof;  
FIG. 6 is a bottom plan view thereof; and,  
FIG. 7 is a perspective view thereof.

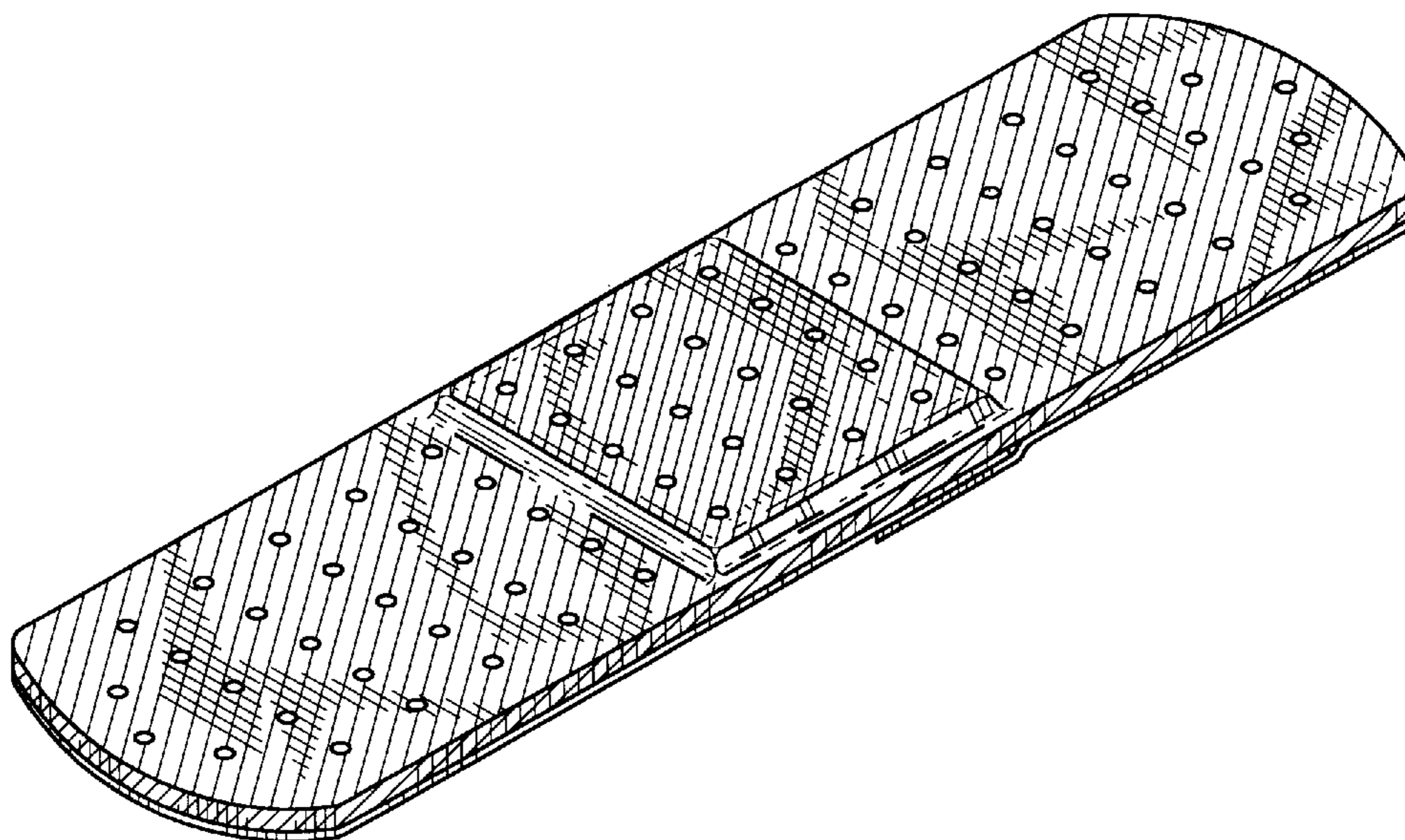
The diagonal hatching on the FIGS is the symbol for the color brown.

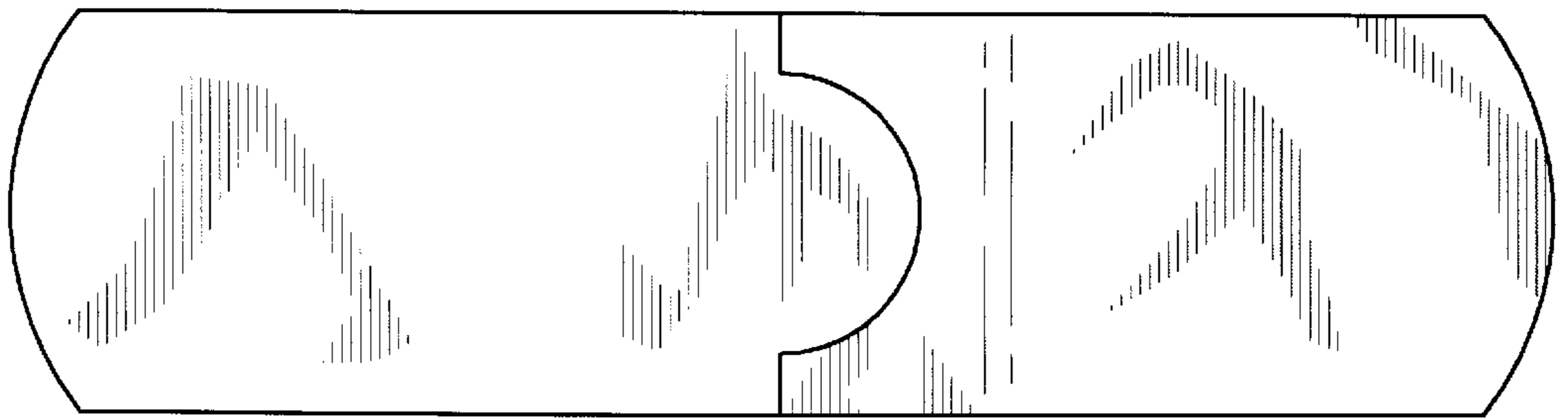
[56] **References Cited**

**U.S. PATENT DOCUMENTS**

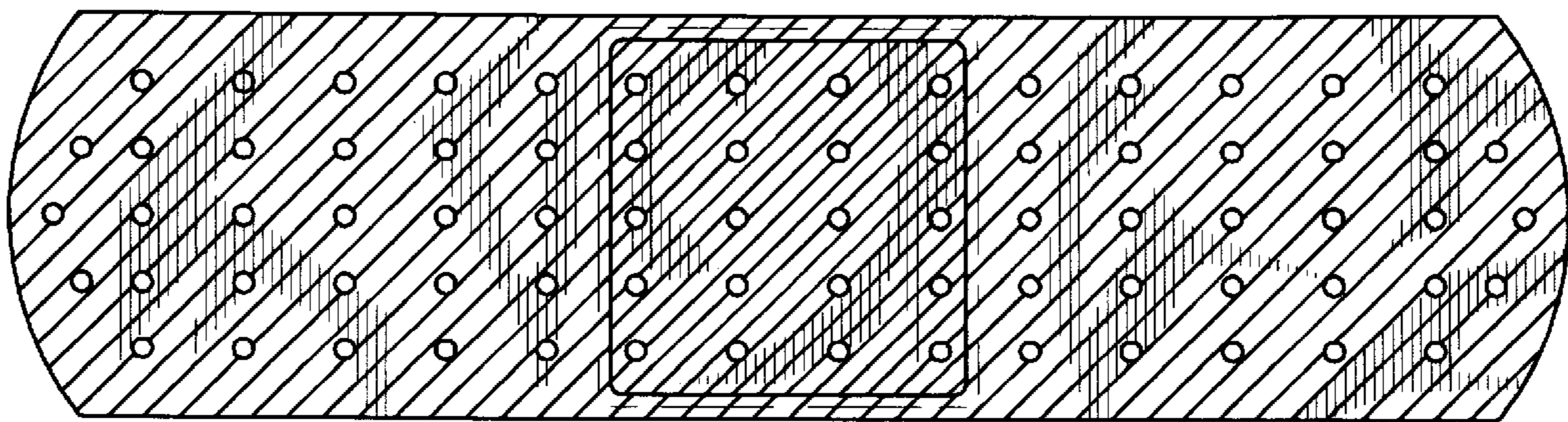
2,823,672	2/1958	Schladermundt et al. ....	602/57
2,823,673	2/1958	Schladermundt et al. ....	602/57
2,905,174	9/1959	Smith .....	602/42

**1 Claim, 3 Drawing Sheets**

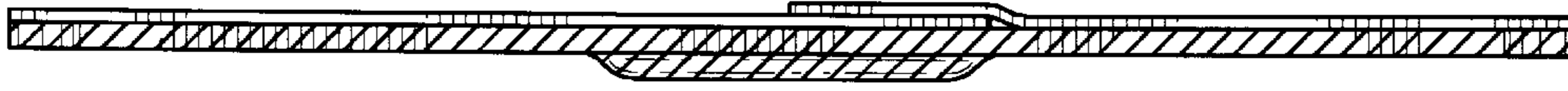




*Fig. 2*



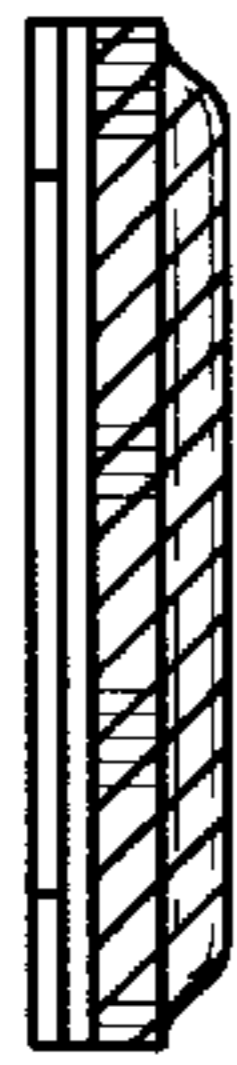
*Fig. 1*



*Fig. 5*



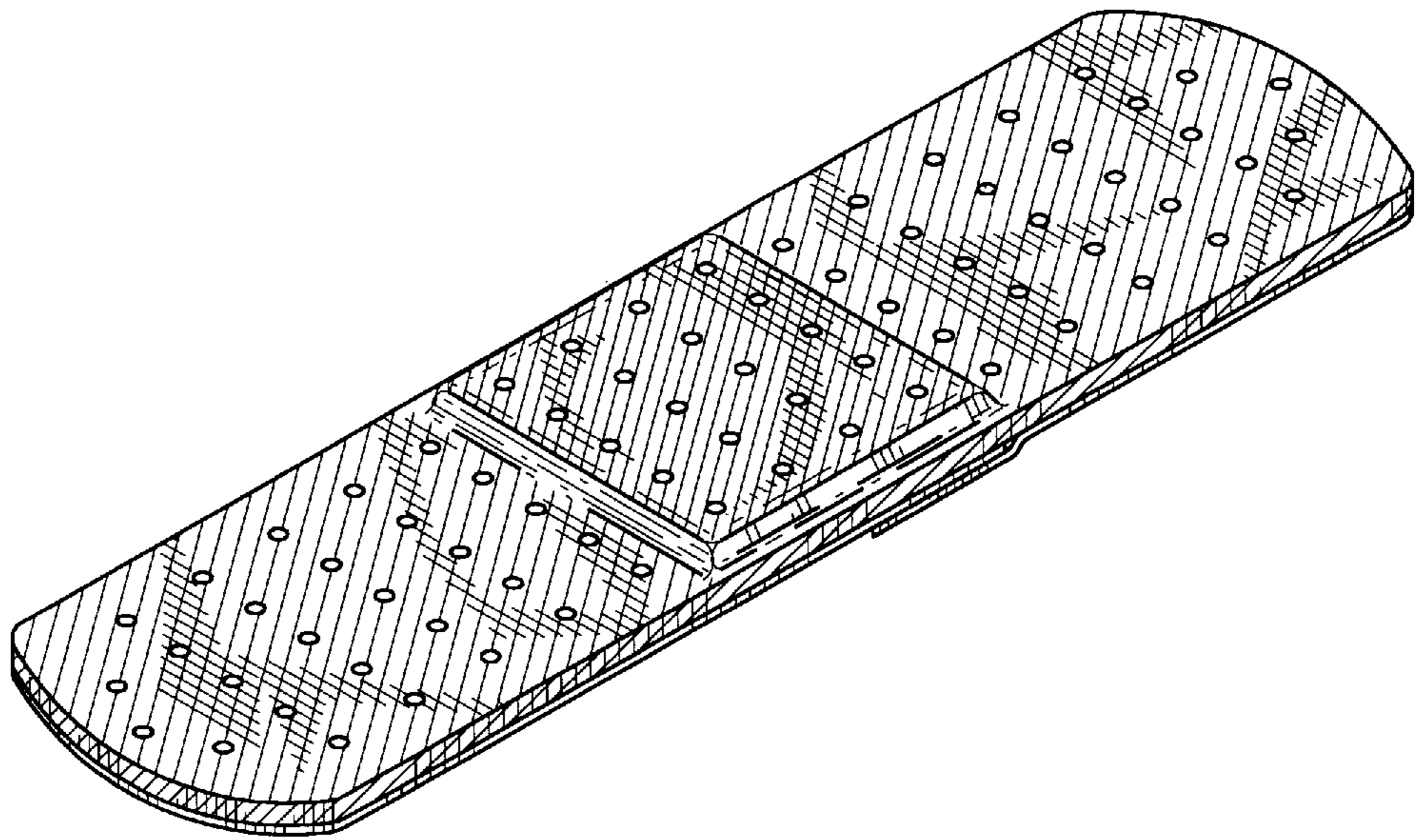
*Fig. 6*



*Fig. 3*



*Fig. 4*



*Fig. 7*