



US00D402370S

United States Patent [19]

Sullenberger et al.

[11] Patent Number: **Des. 402,370**

[45] Date of Patent: *****Dec. 8, 1998**

[54] **KNEE HOLDER FOR MRI APPARATUS**

[75] Inventors: **Peter C. Sullenberger**, Seattle, Wash.;
Masaaki Sakuma, Higashimurayama,
Japan; **Kenji Suzuki**, Hino, Japan;
Kazuhiko Hayakawa, Kawasaki,
Japan; **Yasushi Kato**, Kokubunji, Japan

[73] Assignee: **GE Yokogawa Medical Systems,
Limited**, Tokyo, Japan

[*] Notice: The term of this patent shall not extend
beyond the expiration date of Pat. No. D.
402,035.

[**] Term: **14 Years**

[21] Appl. No.: **77,225**

[22] Filed: **Sep. 29, 1997**

[51] **LOC (6) Cl.** **24-01**

[52] **U.S. Cl.** **D24/184; D24/158; D24/159;
D24/183**

[58] **Field of Search** **D24/158, 159,
D24/183, 184; 5/623, 624, 648; 324/318;
600/410, 415**

[56] **References Cited**

U.S. PATENT DOCUMENTS

D. 376,428 12/1996 Lipson et al. D24/183

4,323,080	4/1982	Melhart	5/650
4,717,133	1/1988	Walsh et al.	5/650
4,827,496	5/1989	Cheney	5/651
5,445,152	8/1995	Bell et al.	600/415
5,562,094	10/1996	Bonutti	600/415

Primary Examiner—Louis S. Zarfaz
Assistant Examiner—G. Andoll
Attorney, Agent, or Firm—Moonray Kojima

[57] **CLAIM**

The ornamental design for a knee holder for MRI apparatus,
as shown and described.

DESCRIPTION

FIG. 1 is a top perspective view of a knee holder for MRI
apparatus, showing my new design;
FIG. 2 is a top view thereof;
FIG. 3 is a bottom view thereof;
FIG. 4 is a right side elevational view thereof;
FIG. 5 is a left side elevational view thereof;
FIG. 6 is a front elevational view thereof;
FIG. 7 is a rear elevational view thereof.

1 Claim, 7 Drawing Sheets

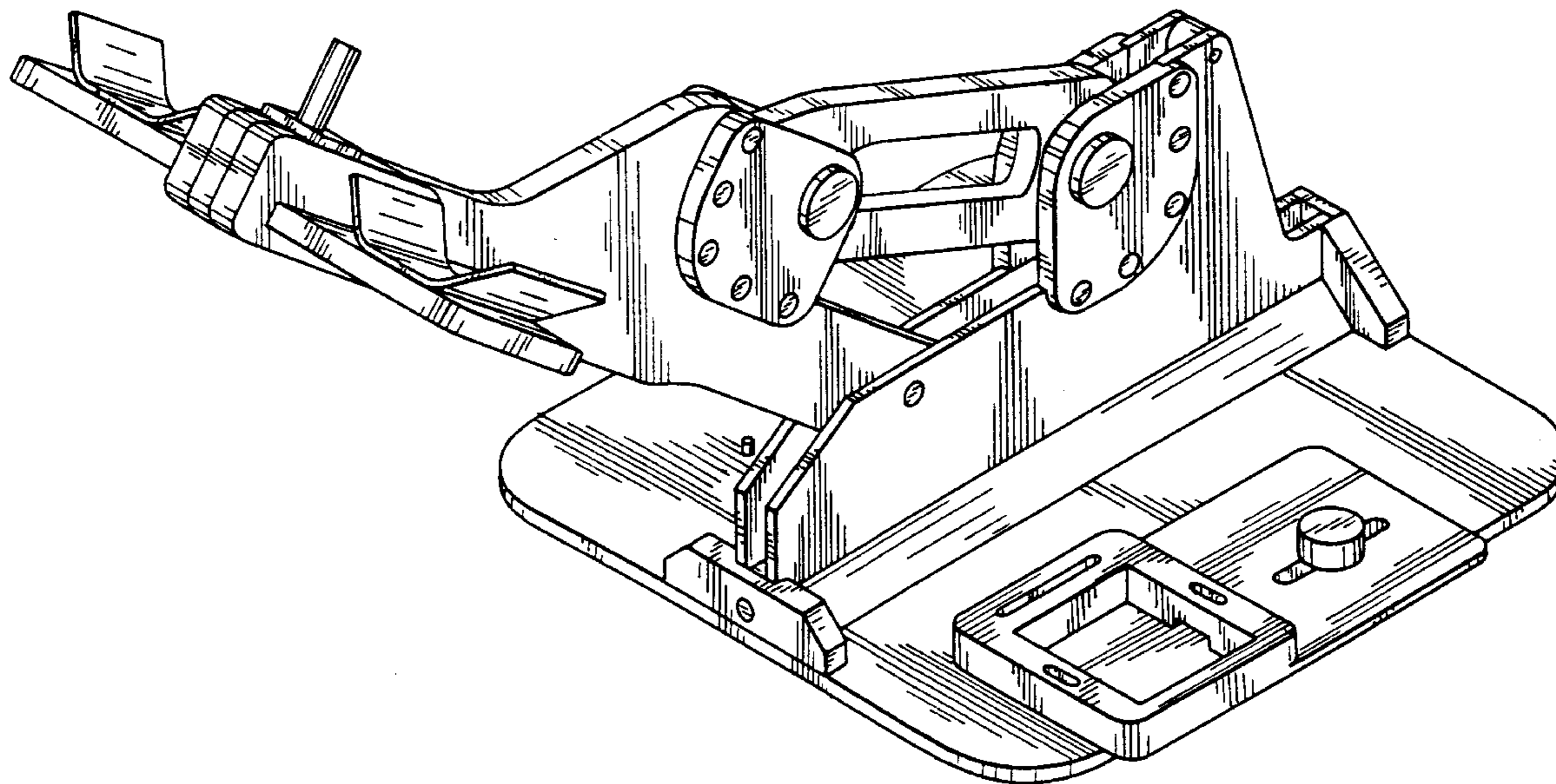


FIG. 1

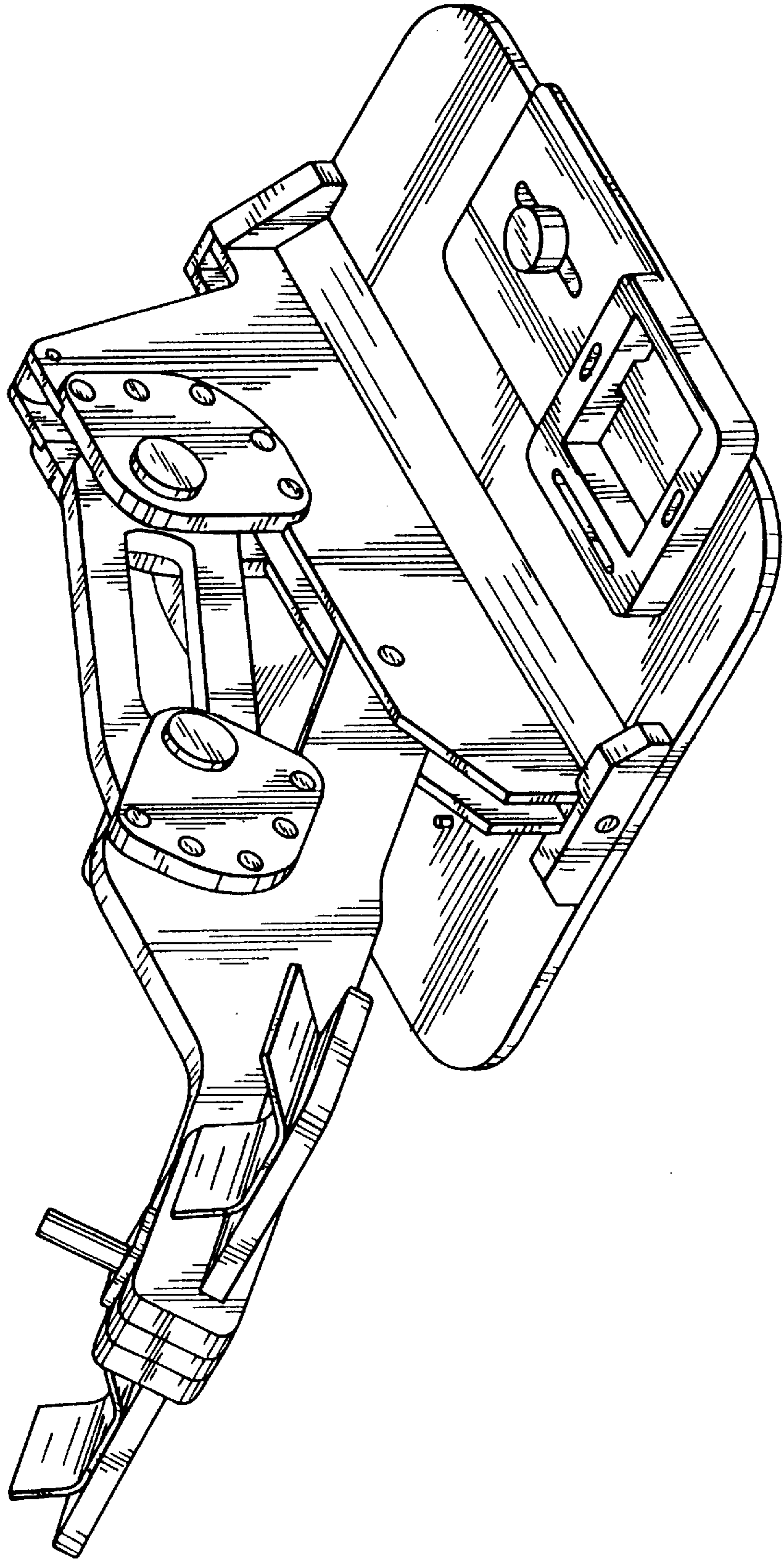


FIG. 2

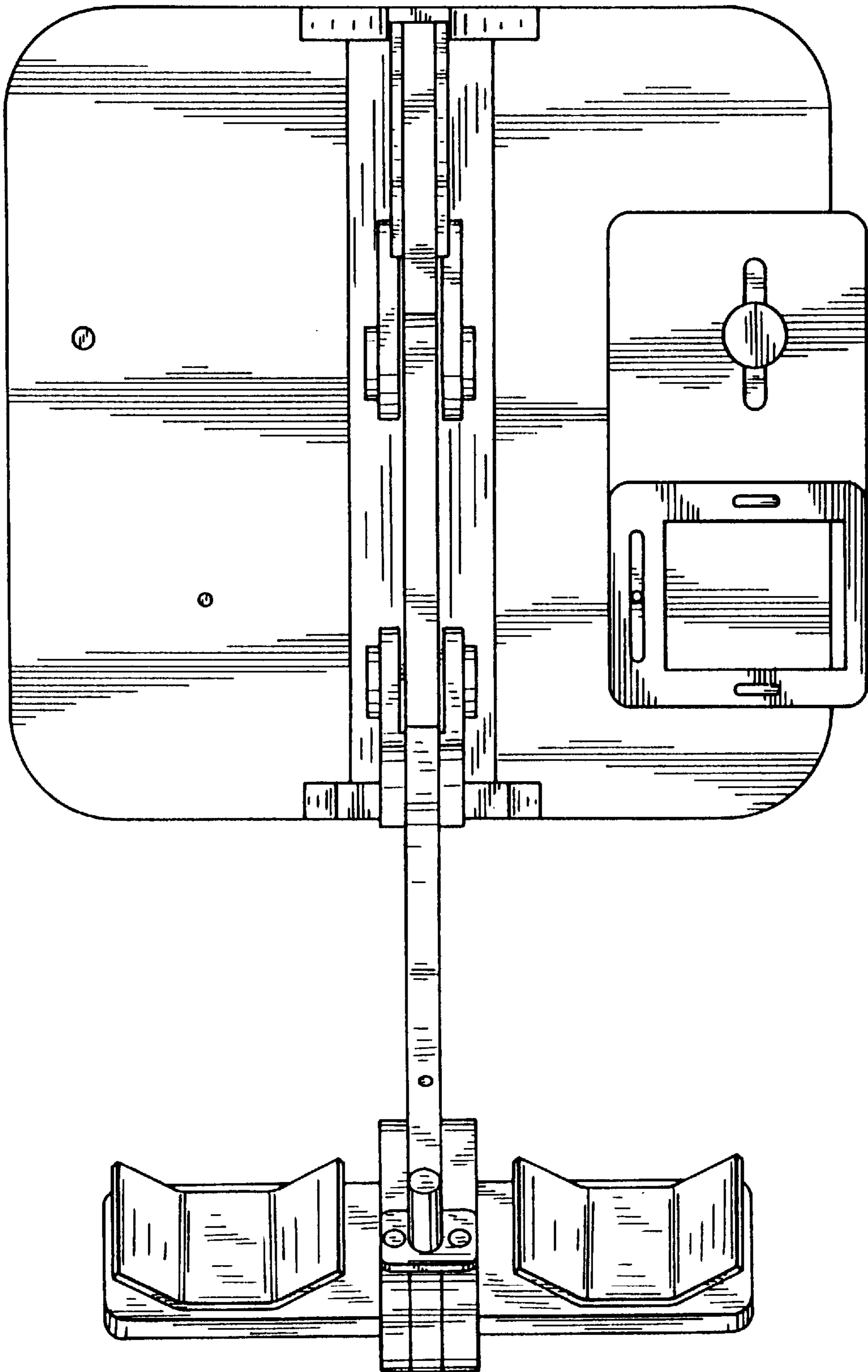
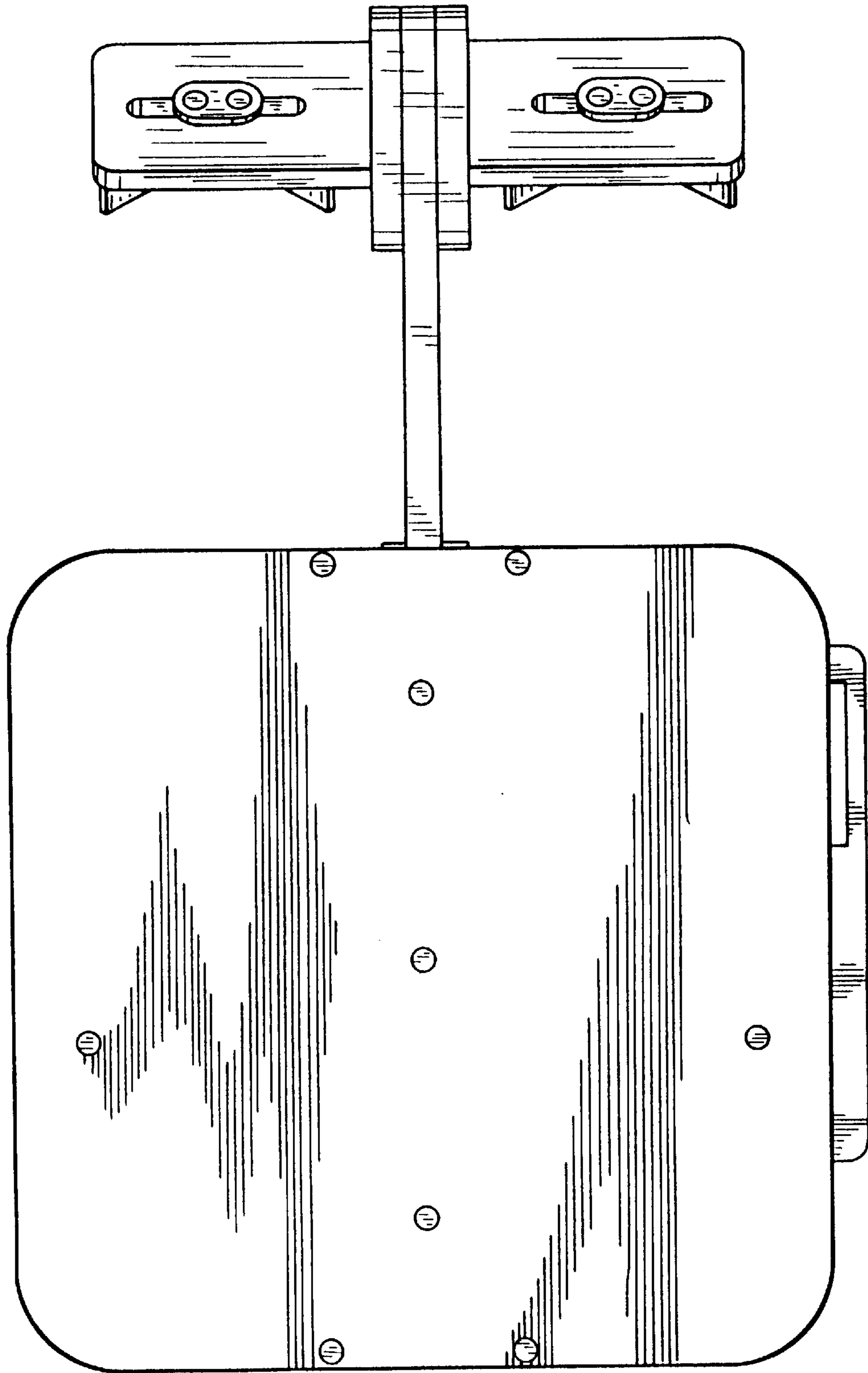
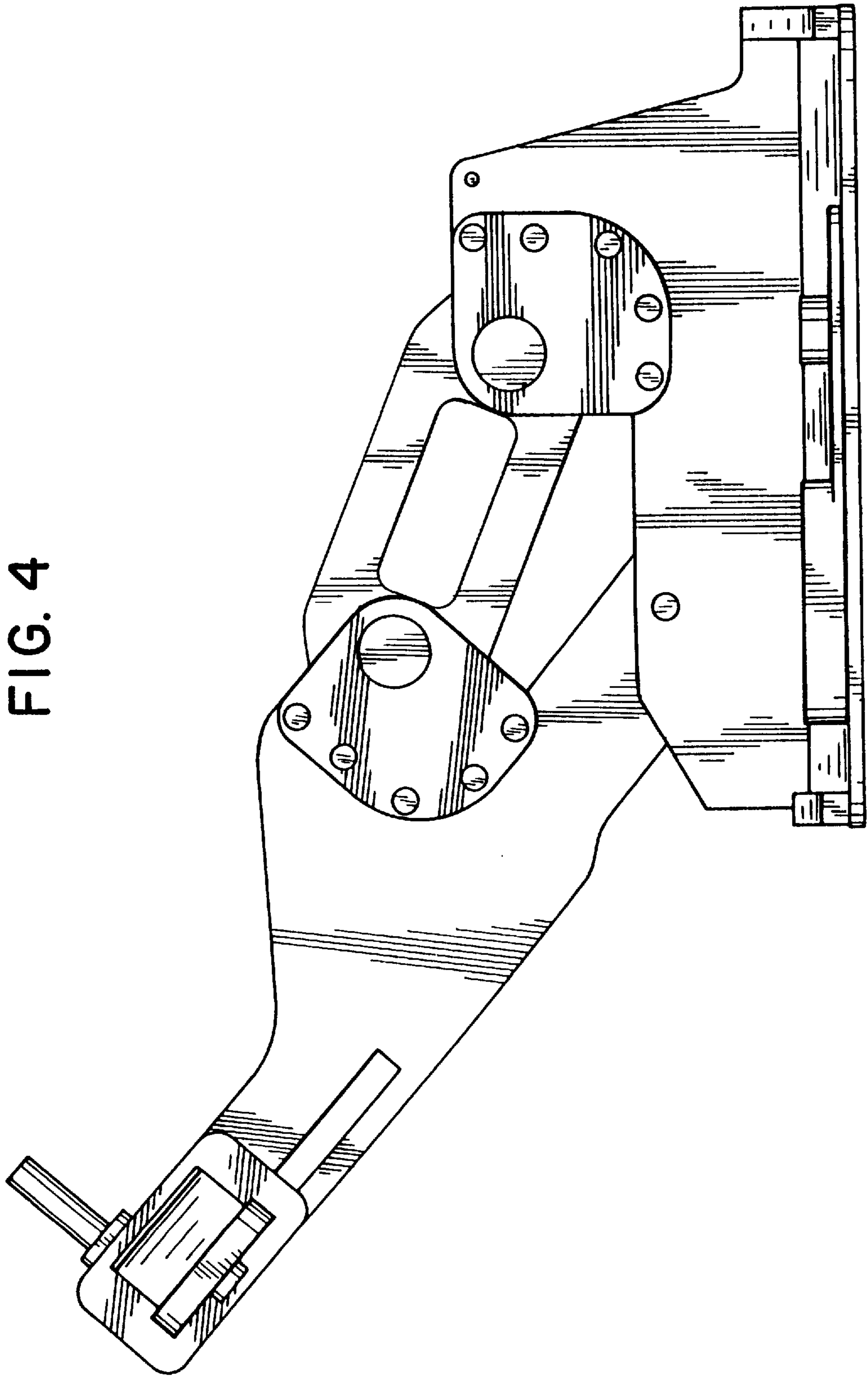


FIG. 3





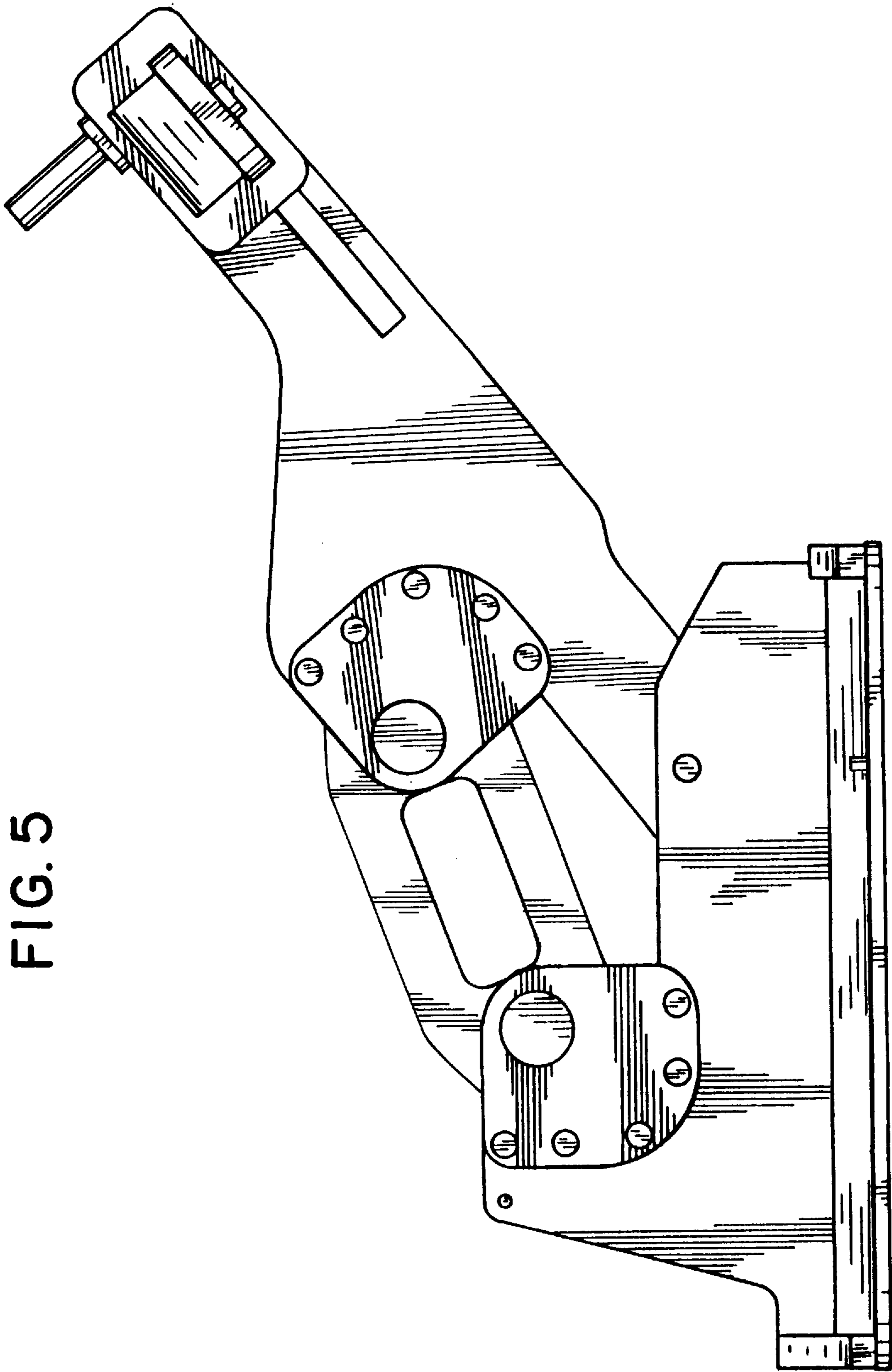


FIG. 5

FIG. 6

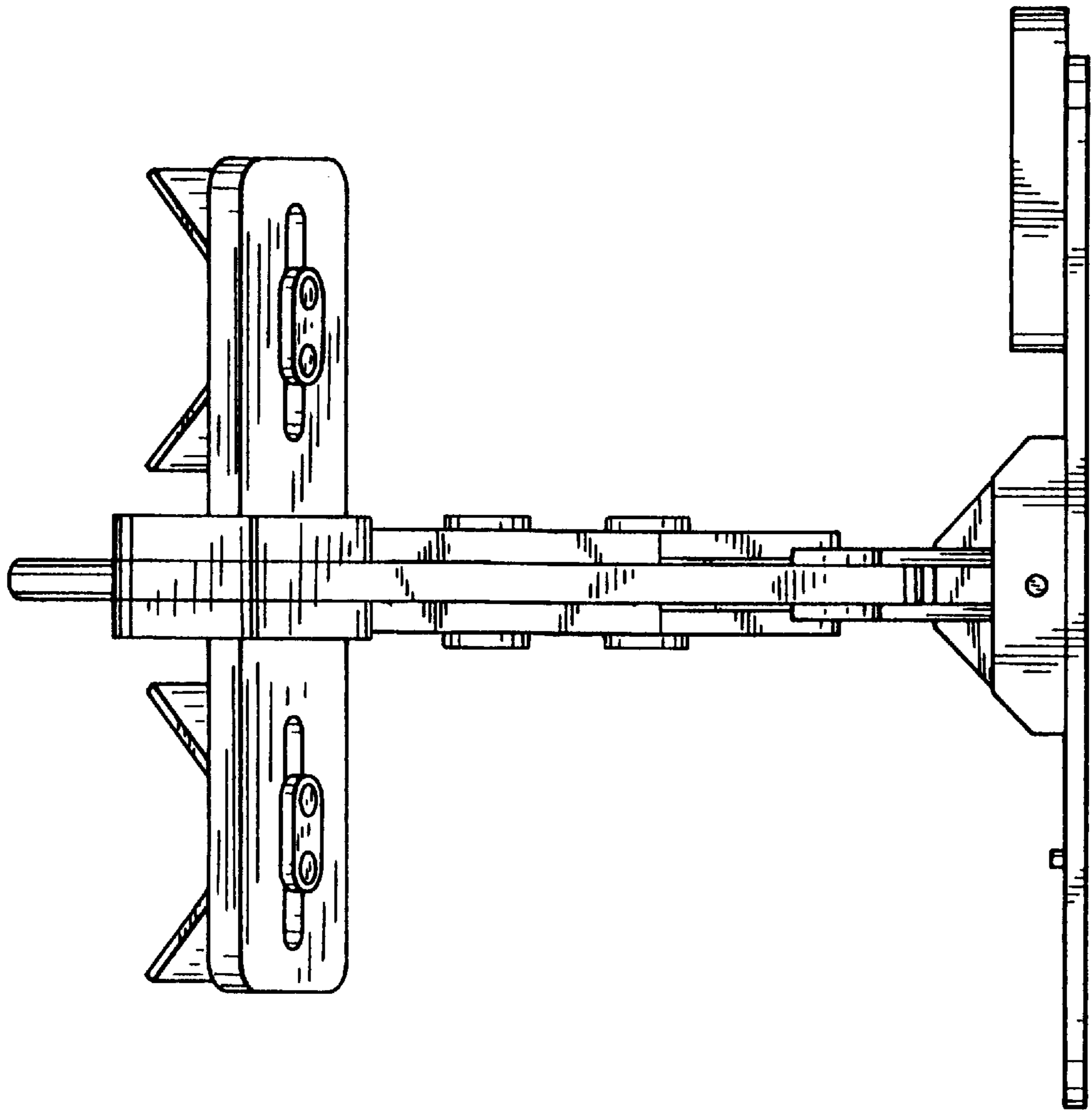


FIG. 7

