

US00D402369S

# United States Patent [19]

[11] **Patent Number: Des. 402,369**

**Prokop et al.**

[45] **Date of Patent: \*\*Dec. 8, 1998**

[54] **HOUSING FOR A DEVICE FOR MEASURING THE CONCENTRATION OF AN ANALYTE IN A SAMPLE OF BLOOD**

[75] Inventors: **Gary F. Prokop**, Wheaton; **Joshua P. Goldfarb**; **Gregory J. Holderfield**, both of Chicago, all of Ill.

[73] Assignee: **Abbott Laboratories**, Abbott Park, Ill.

[\*\*] Term: **14 Years**

[21] Appl. No.: **65,577**

[22] Filed: **Jan. 24, 1997**

[51] **LOC (6) Cl. .... 24-01**

[52] **U.S. Cl. .... D24/169**

[58] **Field of Search .... D24/169, 167, D24/165; 128/632, 633, 634, 637, 770, 771; 436/95, 805**

### [56] **References Cited**

#### U.S. PATENT DOCUMENTS

D. 318,331	7/1991	Phillips et al. ....	D24/169
D. 369,864	5/1996	Petersen .....	D24/169
D. 371,198	6/1996	Savage et al. ....	D24/169
4,627,445	12/1986	Garcia et al. ....	128/770
4,787,398	11/1988	Garcia et al. ....	128/770

#### OTHER PUBLICATIONS

MediSense, Inc., ExacTech® R•G•T™, Blood Glucose Testing System for In Vitro Diagnostic Use, User's Manual, ©1996, Rev. Sep. 1996.

Lifescan, Inc., SureStep™, Complete Blood Glucose Monitoring System, Owner's Booklet, ©1995.

Lifescan, Inc., One Touch® Profile™, Diabetes Tracking System, Owner's Booklet, ©1995.

Miles, Inc., Glucometer Encore™, Diabetes Care System, User Guide, ©1994 Rev. Mar. 1994.

MediSense, Inc. Pen™2 Companion™2 Sensor, Blood Glucose Testing System, User's Manual, ©1992, Rev. Dec. 1992.

Lifescan, Inc., One Touch® Basic™, Blood Glucose Monitoring System, Owner's Booklet, ©1993 Rev. Feb. 1993.

Miles, Inc., Glucometer Elite™, Diabetes Care System, User Guide, ©1993 Rev. Feb. 1993.

MediSense, Inc., Precision Q•I•D™, Blood Glucose Testing System for In Vitro Diagnostic Use, User's Manual, ©1994, Rev. Dec. 1994.

MediSense, Inc., MediSense® 2, Blood Glucose Testing System for In Vitro Diagnostic Use, User's Manual, ©1994, Rev. Dec. 1994.

Boehringer Mannheim Corp., Accu-Chek® Easy™, Blood Glucose Monitoring System, User's Manual, ©1995.

Boehringer Mannheim Corp., Accu-Chek® Instant™, Blood Glucose Monitoring System, User's Manual (admitted prior art).

Boehringer Mannheim Corp., Accu-Chek® Advantage™, Blood Glucose Monitor, User's Manual (admitted prior art).

*Primary Examiner*—Stella Reid

*Attorney, Agent, or Firm*—David L. Weinstein

### [57] **CLAIM**

The ornamental design for a housing for a device for measuring the concentration of an analyte in a sample of blood, as shown and described.

### **DESCRIPTION**

FIG. 1 is a perspective view of the housing for a device for measuring the concentration of an analyte in a sample of blood, showing our new design;

FIG. 2 is a perspective view thereof, in open position; the broken line showing of the interior of the housing is for illustrative purposes only and forms no part of the claimed design;

FIG. 3 is a front elevational view thereof;

FIG. 4 is a right side elevational view thereof;

FIG. 5 is a top view thereof;

FIG. 6 is a rear elevational view thereof;

FIG. 7 is a left side elevational view thereof; and,

FIG. 8 is a bottom view thereof.

**1 Claim, 3 Drawing Sheets**

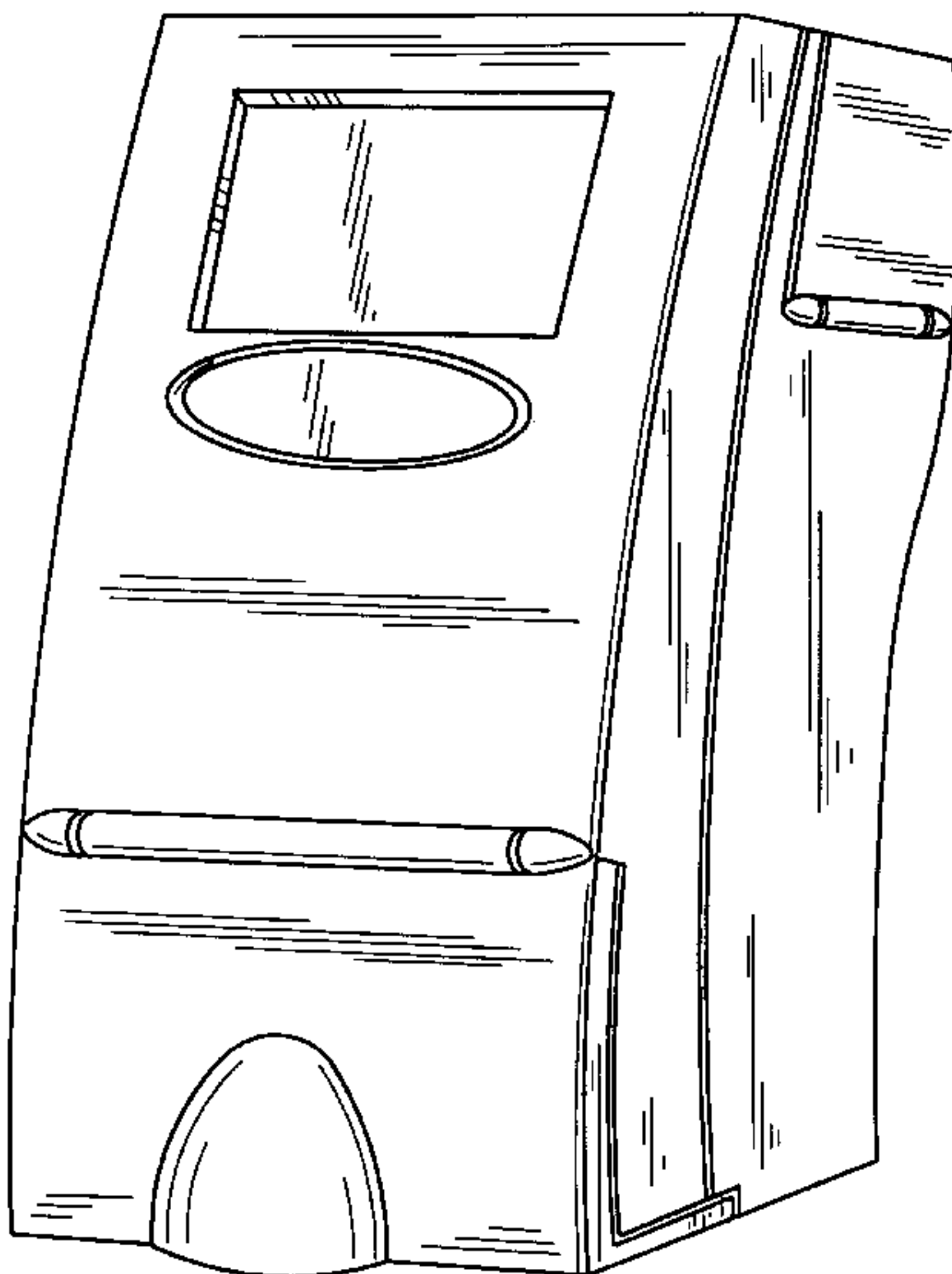


FIG. 2

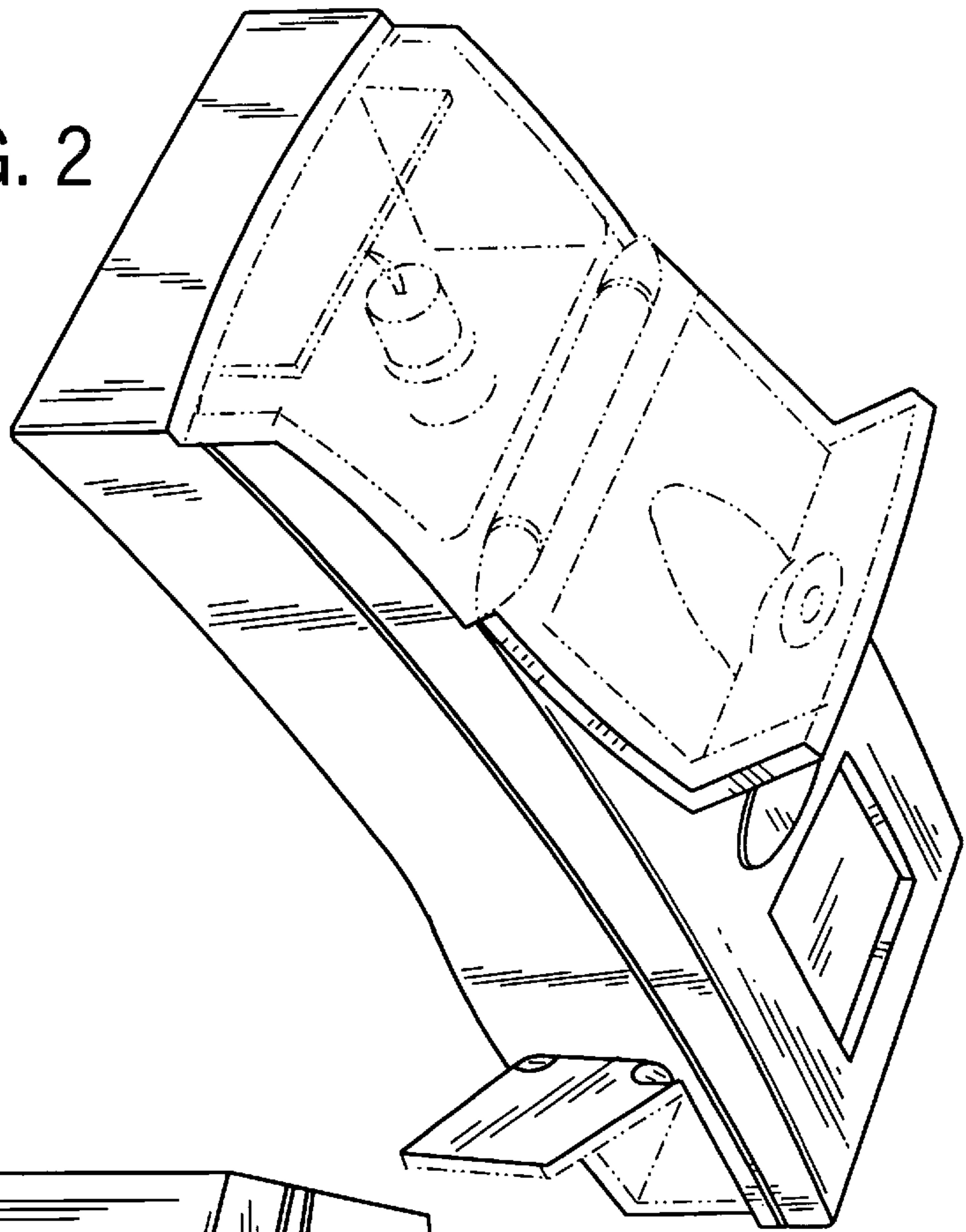
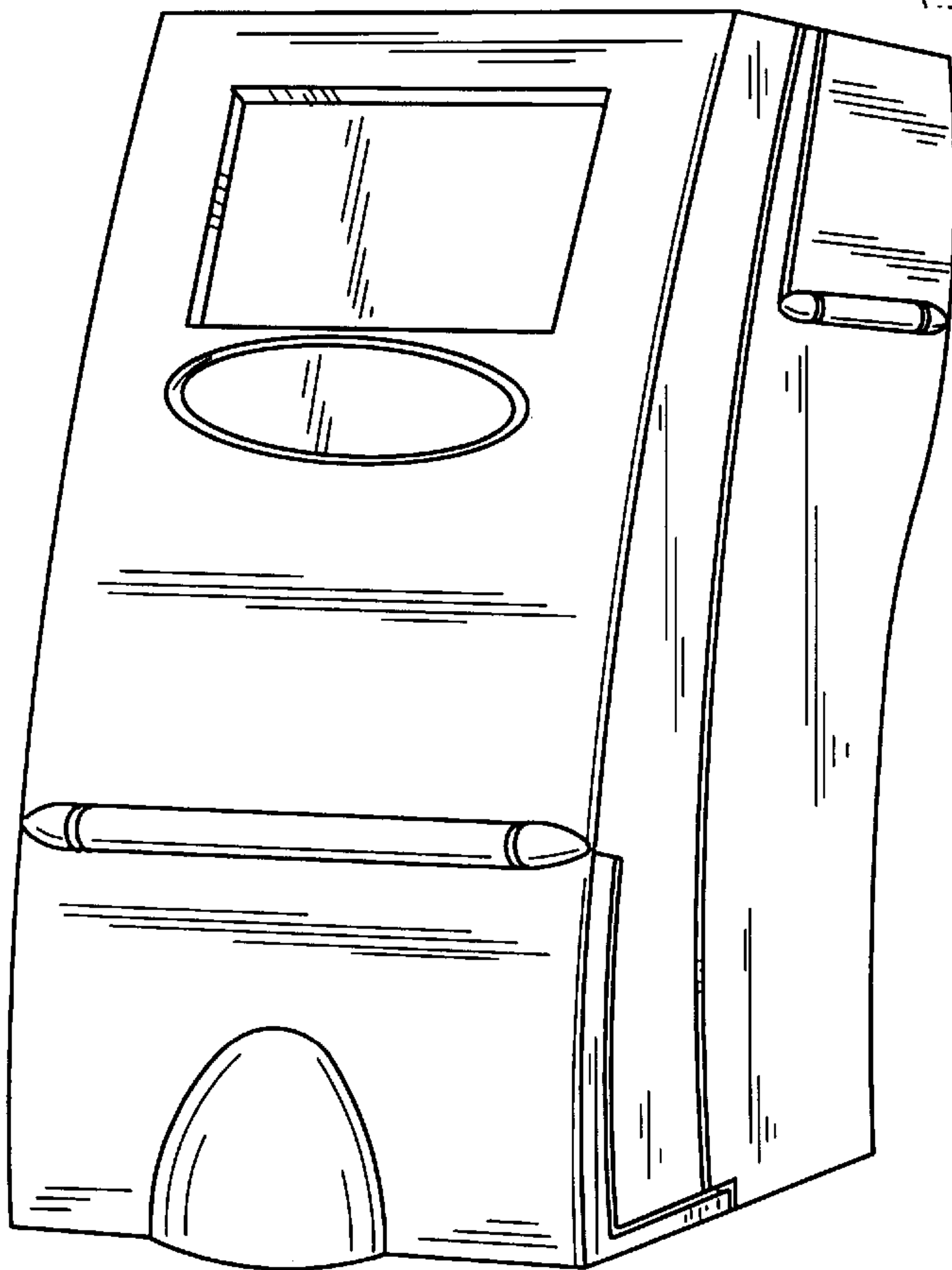


FIG. 1



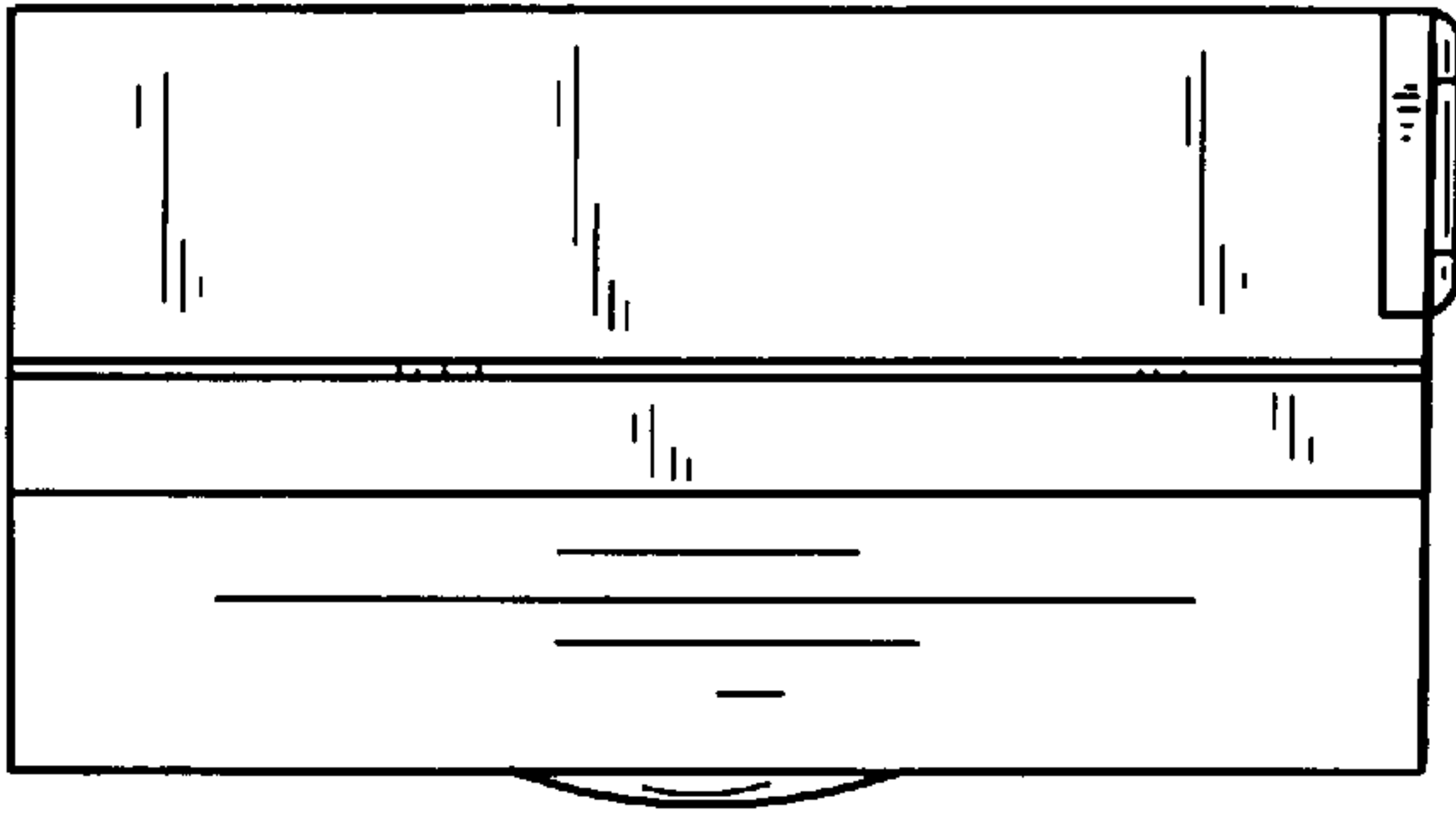


FIG. 5

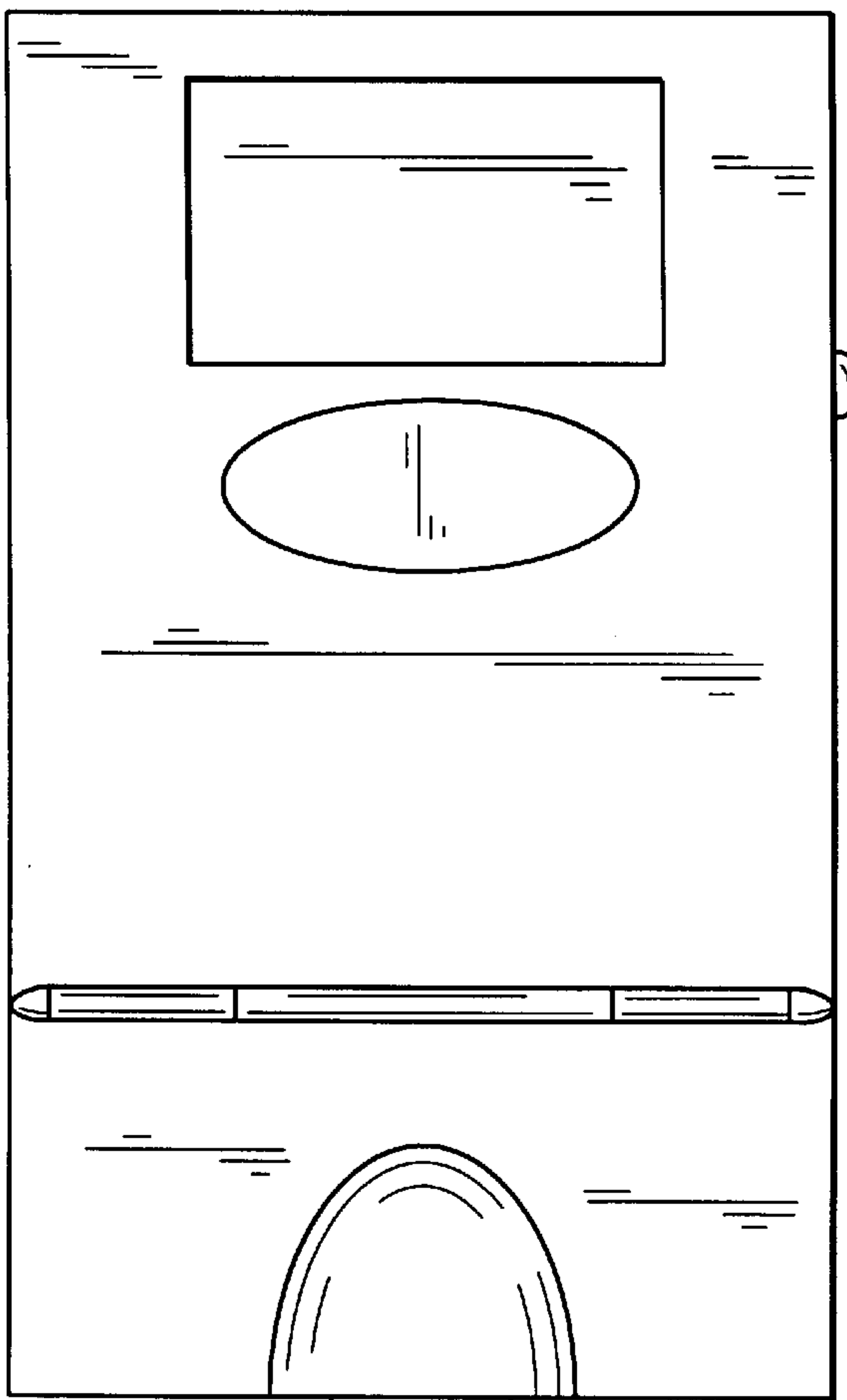


FIG. 3

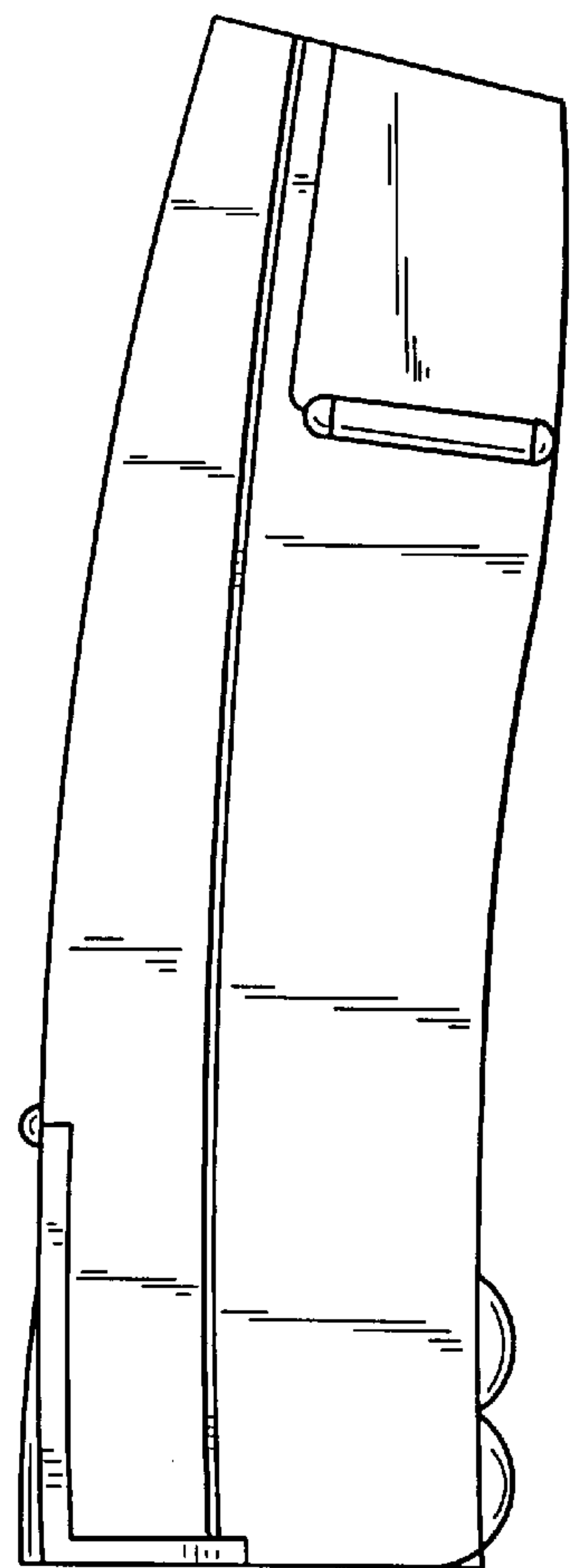


FIG. 4

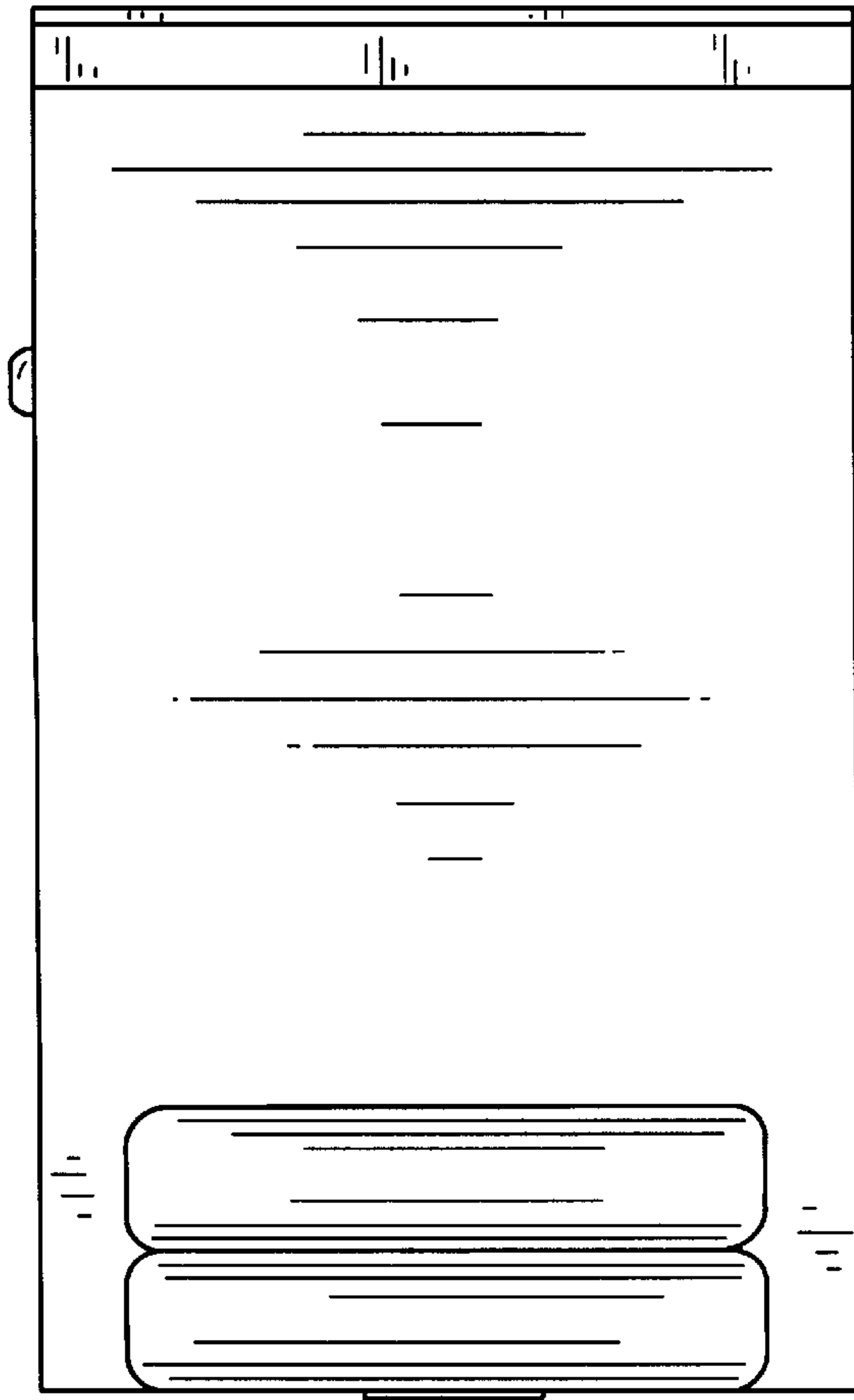


FIG. 6

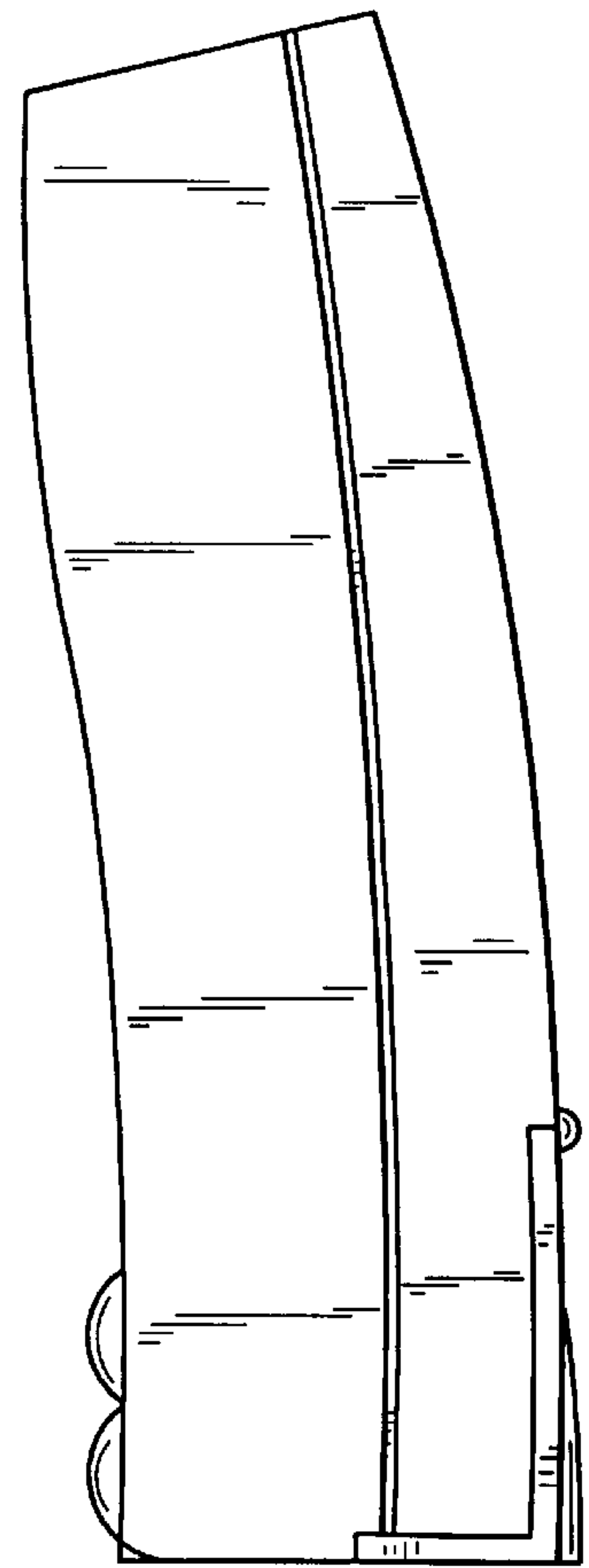


FIG. 7

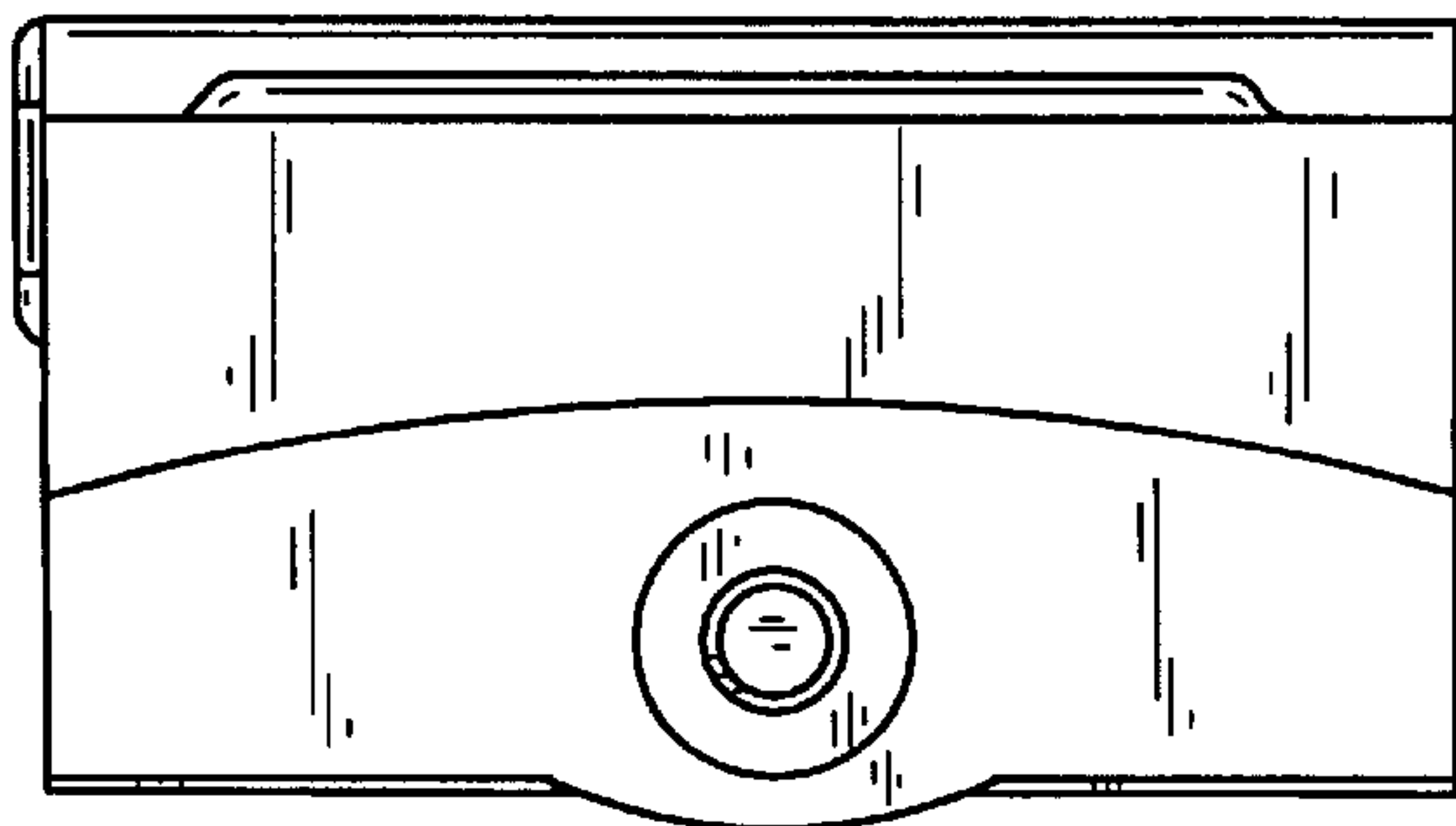


FIG. 8