



US00D402368S

United States Patent [19] Holzapfel

[11] **Patent Number:** **Des. 402,368**

[45] **Date of Patent:** ****Dec. 8, 1998**

[54] **KNEE JOINT**

[75] Inventor: **Markus Holzapfel**, Osterode, Germany

[73] Assignee: **Otto Bock Orthopaedische Industrie
Besitz- Und
Verwaltungs-Kommanditgesellschaft**,
Duderstadt, Germany

[**] Term: **14 Years**

[21] Appl. No.: **57,595**

[22] Filed: **Jul. 29, 1996**

[51] **LOC (6) Cl.** **24-03**

[52] **U.S. Cl.** **D24/155**

[58] **Field of Search** D24/155; 623/17,
623/18, 20, 21

Teh Lin Prosthetic & Orthopaedic Inc., Brochure with photograph and description of TKG-1H00S hydraulic frame; published before Jul. 10, 1996.

USMC, flyer for BLACK MAX hydraulic frame; published before Jul. 10, 1996.

Chas. A. Blatchford & Sons Ltd., Flyer with photograph and description of ENDOLITE universal chassis; Sep. 1993.

Chas. A. Blatchford & Sons Ltd., Flyer with photograph and description of ENDOLITE high-activity chassis; Jul. 1993.

Primary Examiner—Kay H. Chin
Attorney, Agent, or Firm—Foley & Lardner

[57] **CLAIM**

The ornamental design for a knee joint, as shown and described.

DESCRIPTION

FIG. 1 is a front elevational view of a knee joint showing my new design;

FIG. 2 is a rear elevational view thereof;

FIG. 3 is a bottom plan view thereof;

FIG. 4 is a top plan view thereof;

FIG. 5 is a right side elevational view thereof;

FIG. 6 is a left side elevational view thereof; and,

FIG. 7 is a top perspective view thereof.

[56] **References Cited**

U.S. PATENT DOCUMENTS

D. 336,519	6/1993	Greene et al.	D24/155
D. 358,211	5/1995	Cohen	D24/155
5,282,867	2/1994	Mikhail	623/18

OTHER PUBLICATIONS

Teh Lin Prosthetic & Orthopaedic Inc., Brochure with photographs of lower limb system components; published before Jul. 10, 1996.

1 Claim, 7 Drawing Sheets

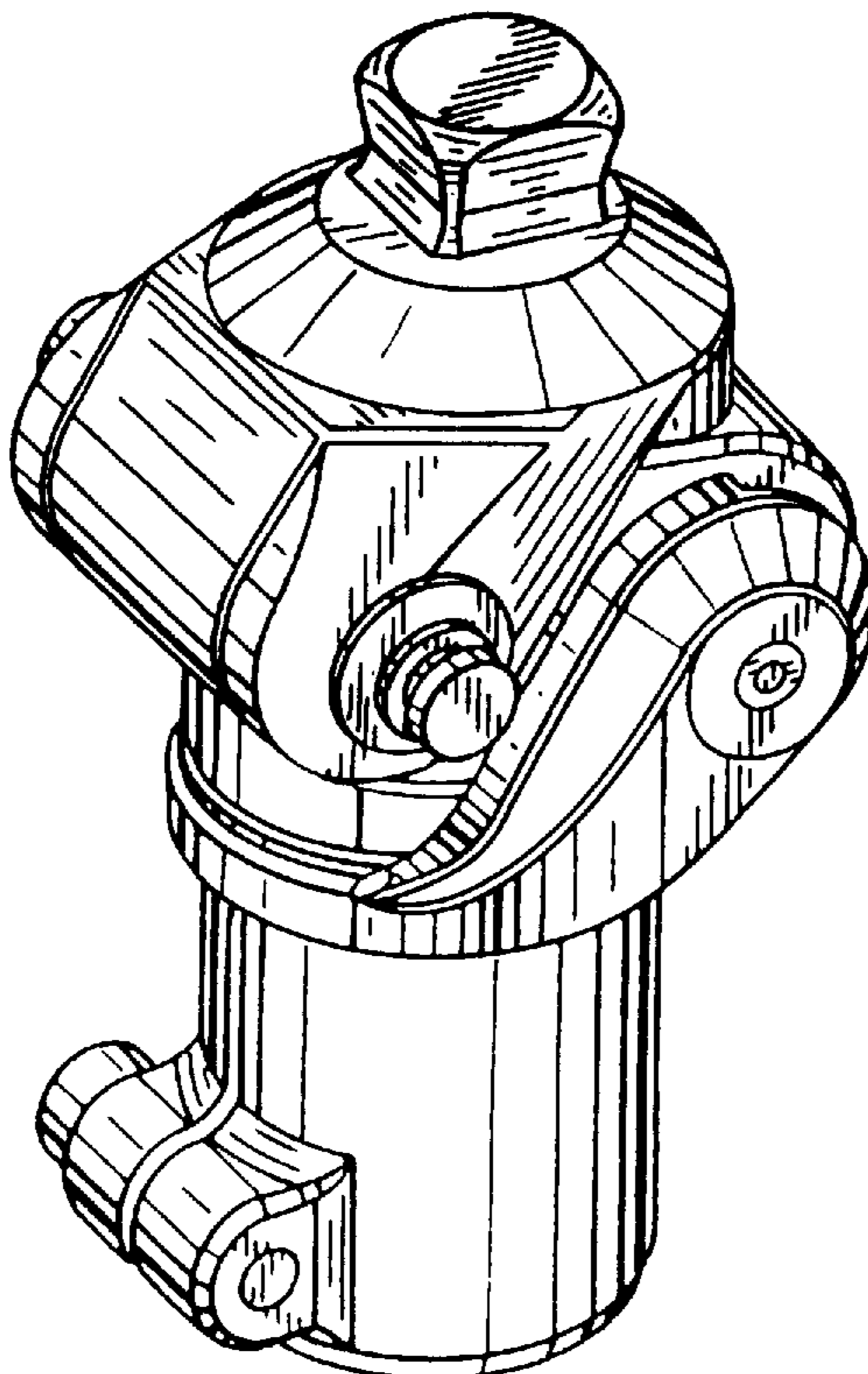


FIG. 1

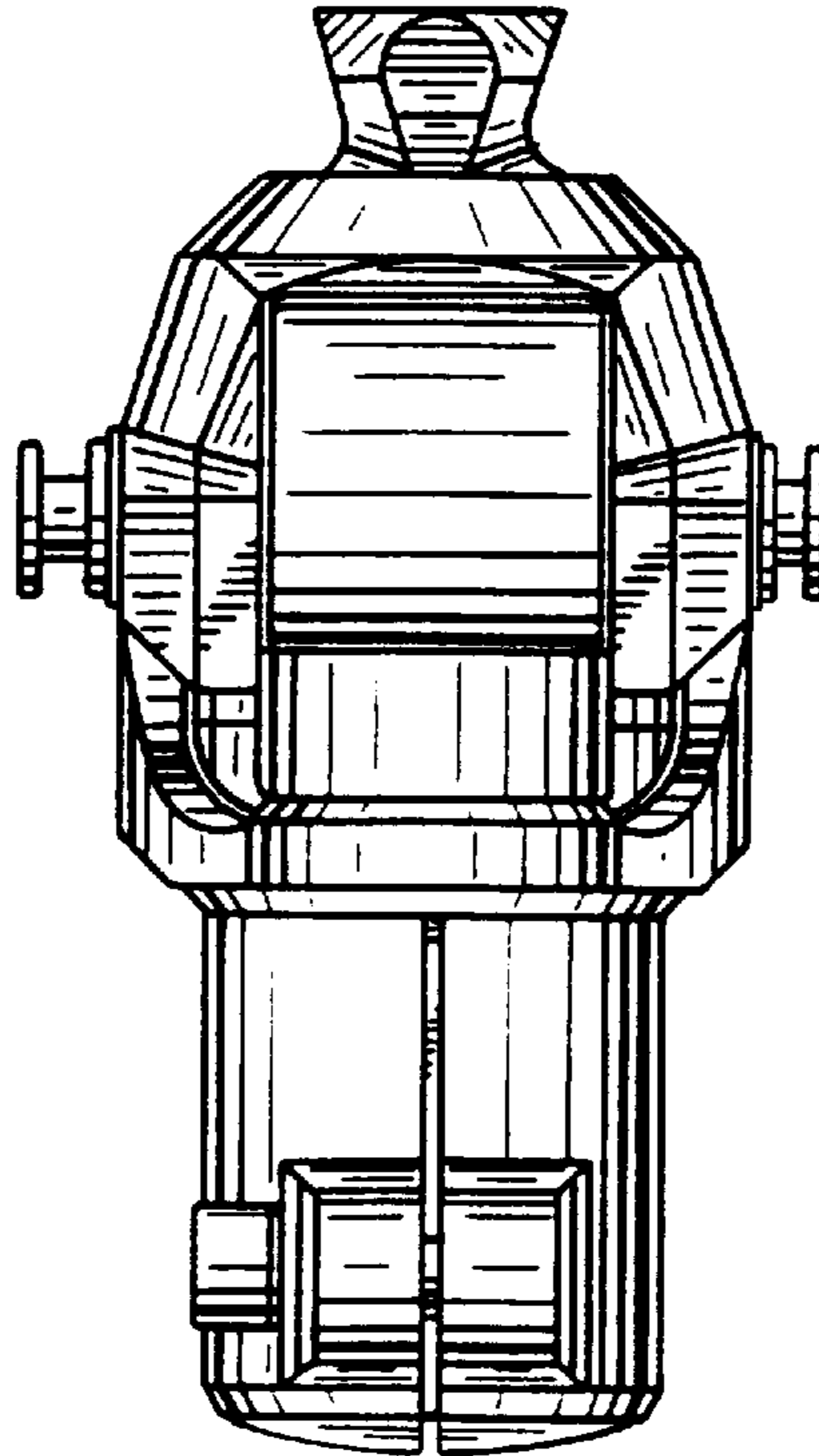


FIG. 2

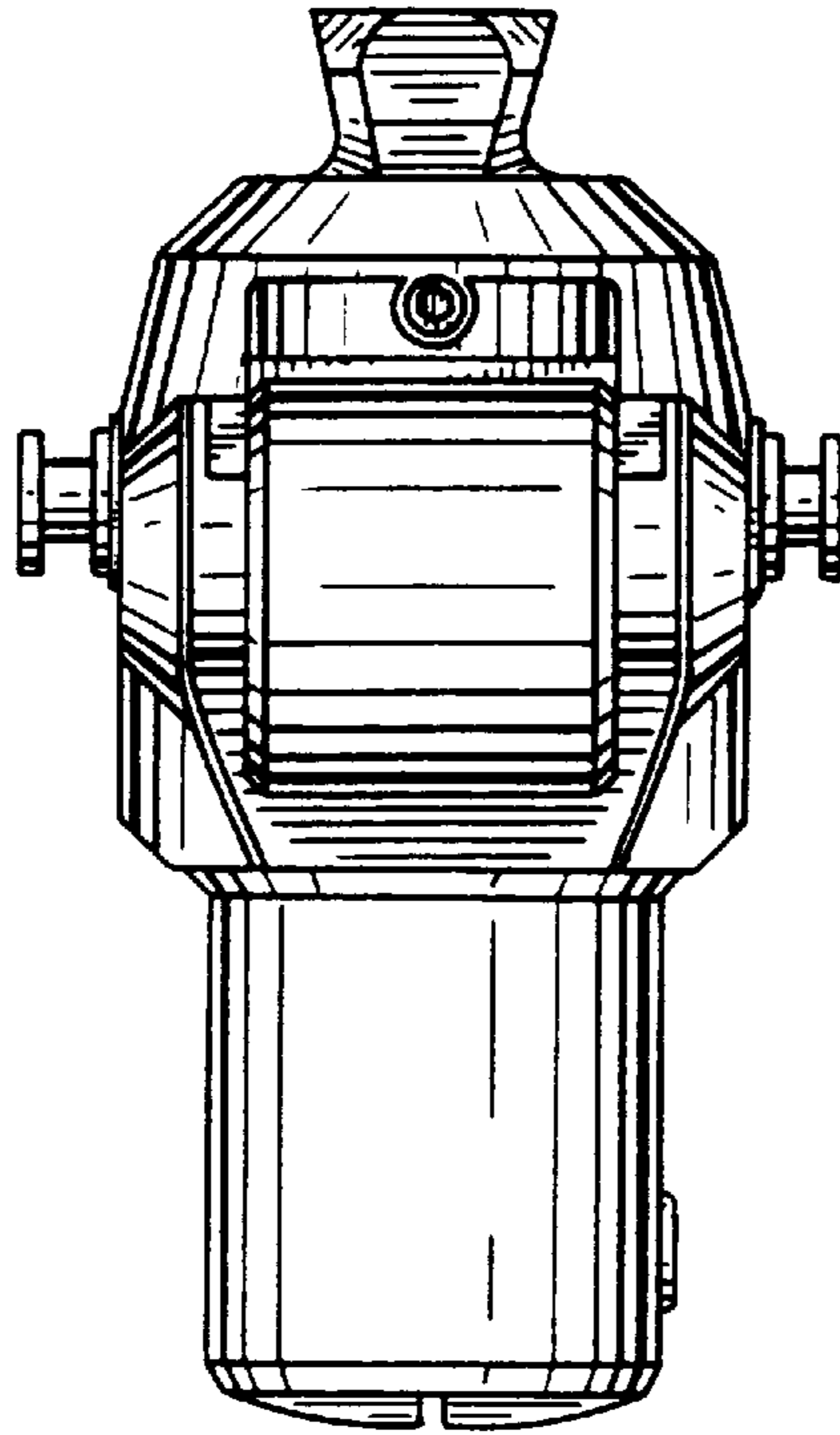


FIG. 3

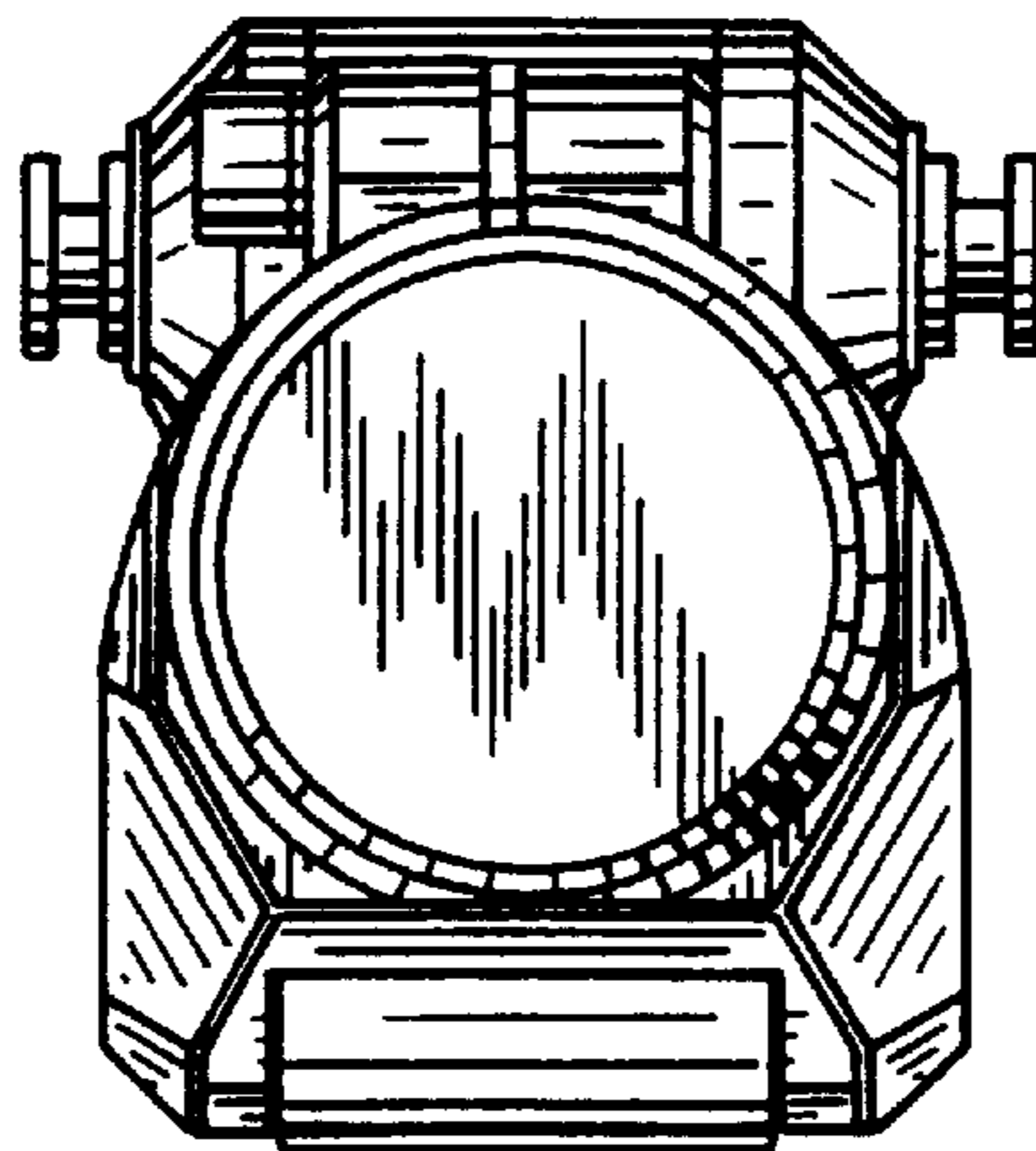


FIG. 4

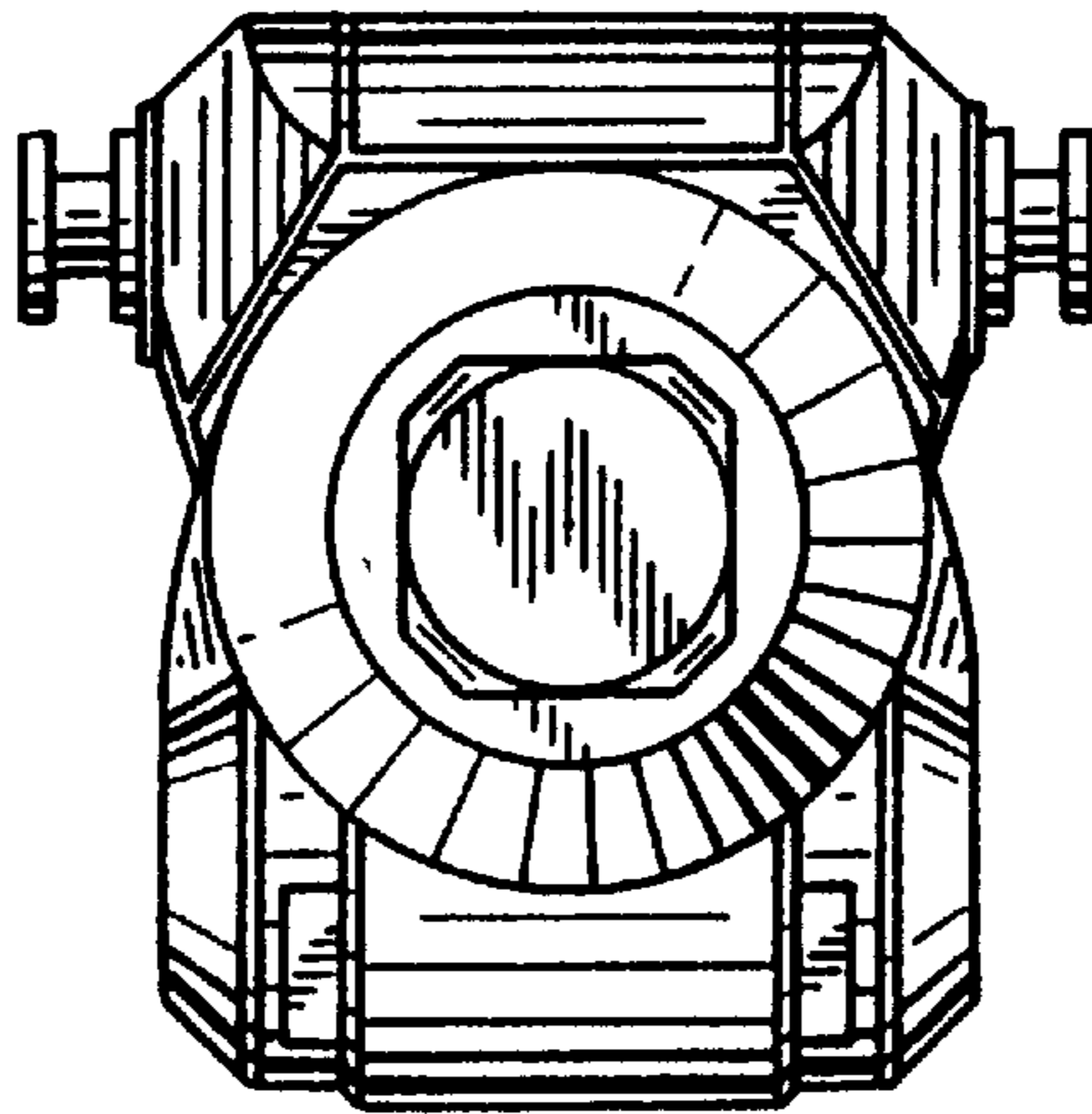


FIG. 5

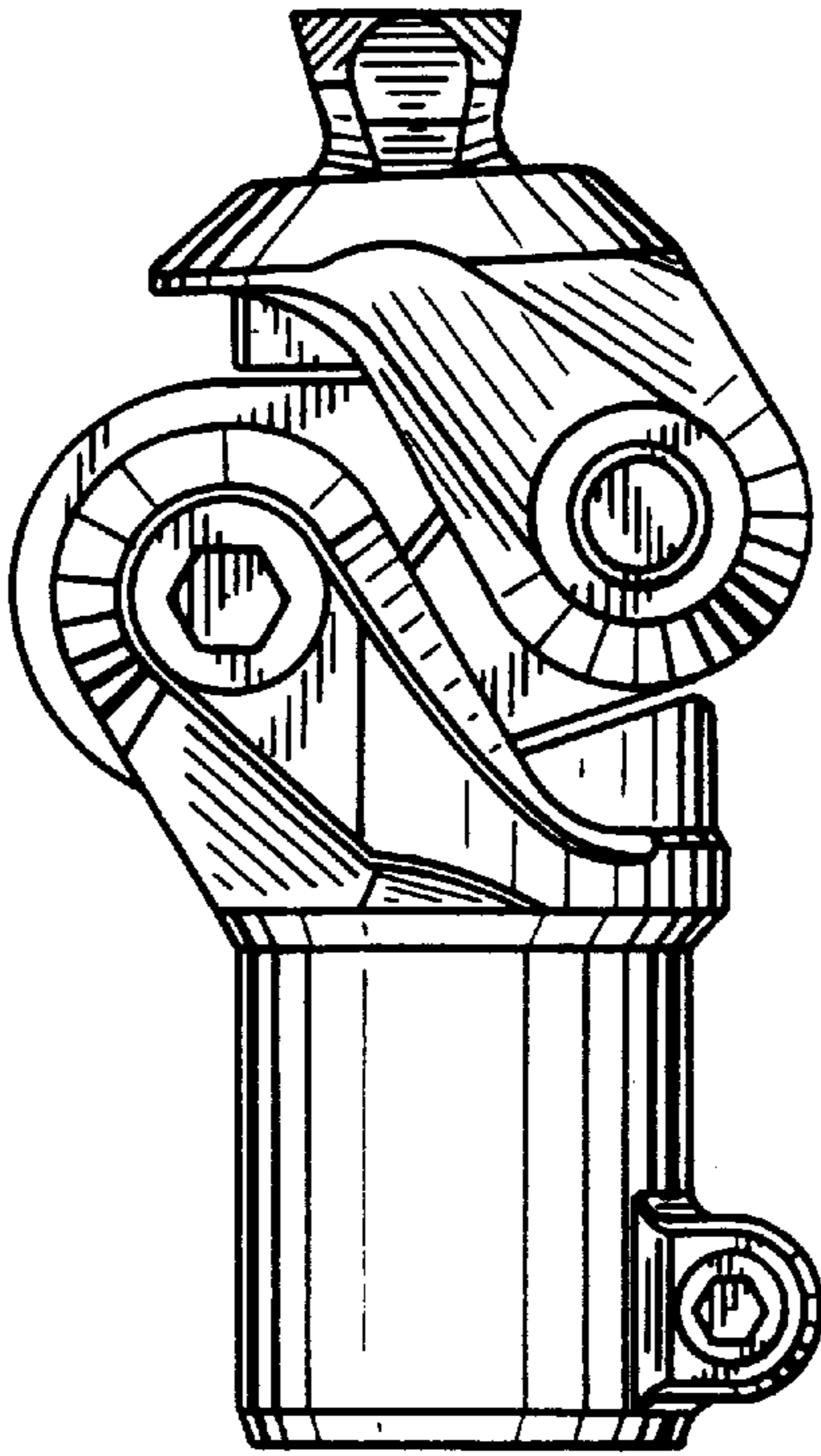


FIG. 6

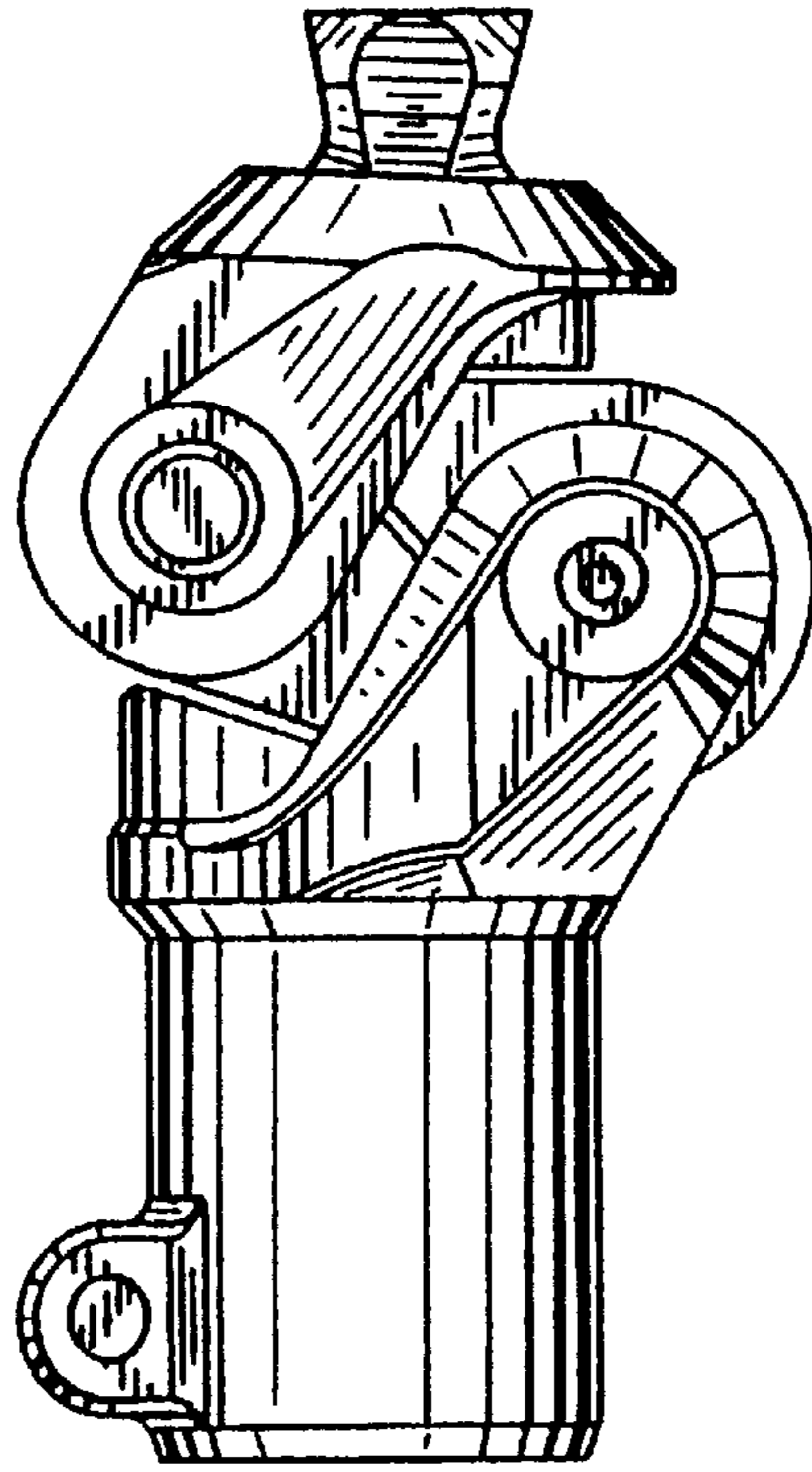


FIG. 7

