



US00D402362S

United States Patent [19]
Pickett

[11] **Patent Number: Des. 402,362**

[45] **Date of Patent: **Dec. 8, 1998**

[54] **COMBINED CEILING FAN AND LIGHT FIXTURE**

[75] Inventor: **Mark Pickett**, Rancho Palos Verdes, Calif.

[73] Assignee: **Minka Lighting, Inc.**, Corona, Calif.

[**] Term: **14 Years**

[21] Appl. No.: **61,262**

[22] Filed: **Oct. 18, 1996**

[51] **LOC (6) Cl.** **23-04**

[52] **U.S. Cl.** **D23/377; D23/379; D23/385**

[58] **Field of Search** D23/377, 379, D23/384, 411, 413; 416/5; 392/364; 362/96; D26/51, 59, 72, 73, 88, 81-86, 80

[56] **References Cited**

U.S. PATENT DOCUMENTS

- D. 378,403 3/1997 Jaspers-Fayer .
- D. 383,527 9/1997 Jaspers-Fayer et al. D23/377

OTHER PUBLICATIONS

Winnower Fan Co. Adv. Brochure, p. 20 Ceiling Fan@.

Primary Examiner—Lisa Lichtenstein
Attorney, Agent, or Firm—Jenkins & Gilchrist, A Professional Corporation

[57] **CLAIM**

An ornamental design for a combined ceiling fan and light fixture, as shown and described.

DESCRIPTION

FIG. 1 is a front perspective view of a combined ceiling fan and light fixture incorporating my ornamental design; FIG. 2 is a front view of the combined ceiling fan and light fixture of FIG. 1, the rear being substantially identical to that shown except for the pull cord;

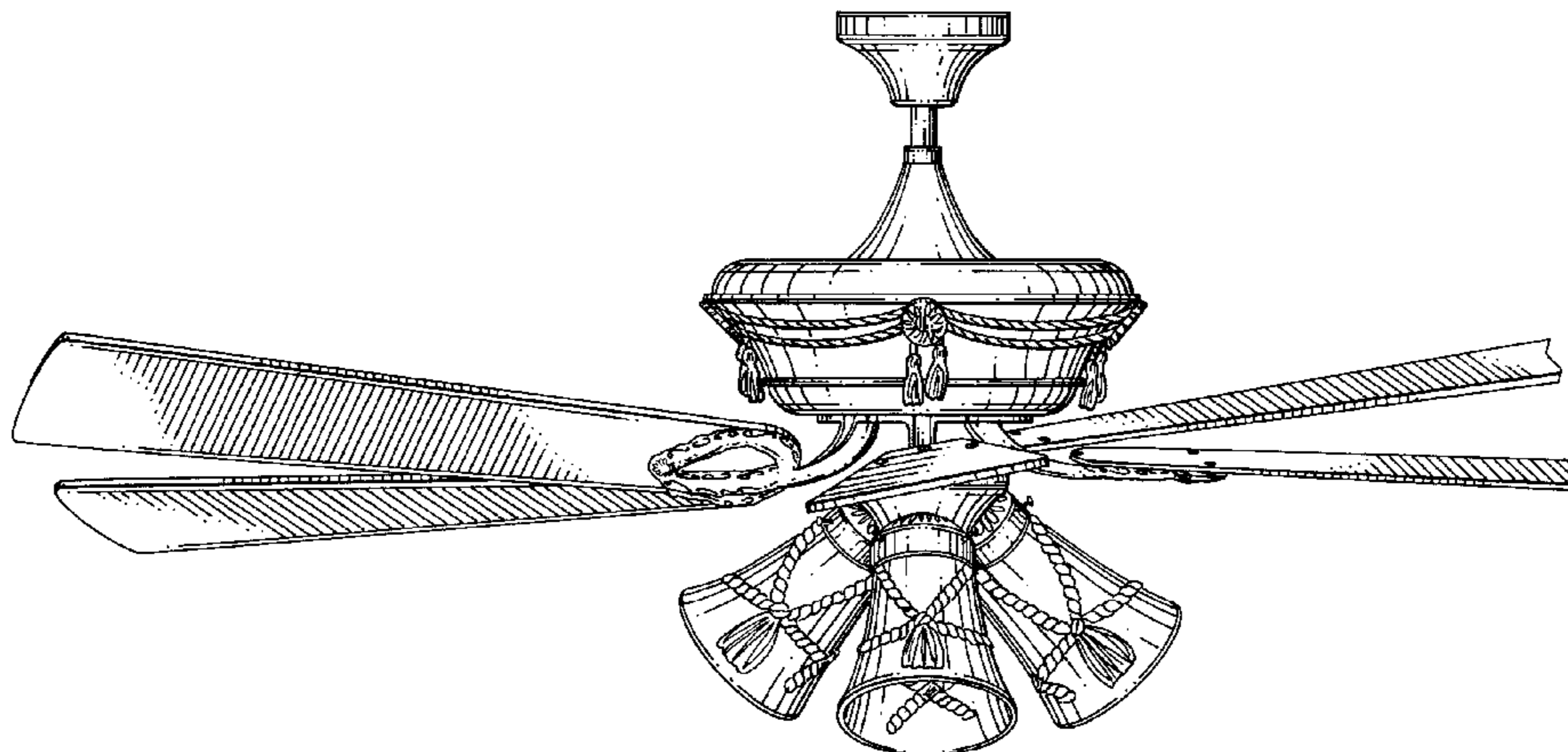
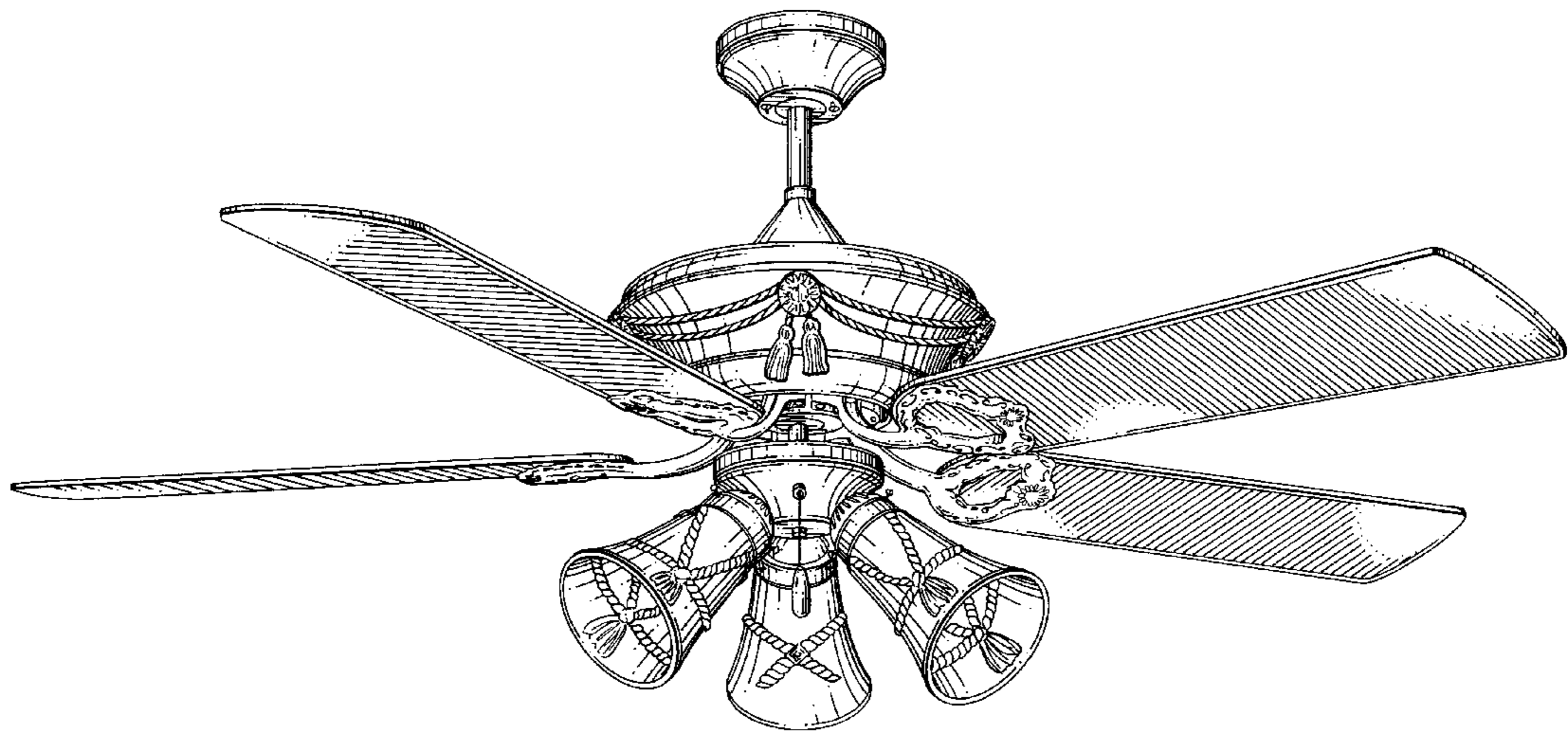
FIG. 3 is a side view of a representative side of the combined ceiling fan and light fixture of FIG. 1;

FIG. 4 is an enlarged bottom view of the combined ceiling fan and light fixture of FIG. 1; and,

FIG. 5 is an enlarged top view of the combined ceiling fan and light fixture of FIG. 1.

Two of the blades have been shown broken-away in FIG. 3, and all of the blades have been shown broken-away in FIGS. 4 and 5 for ease of illustration.

1 Claim, 5 Drawing Sheets



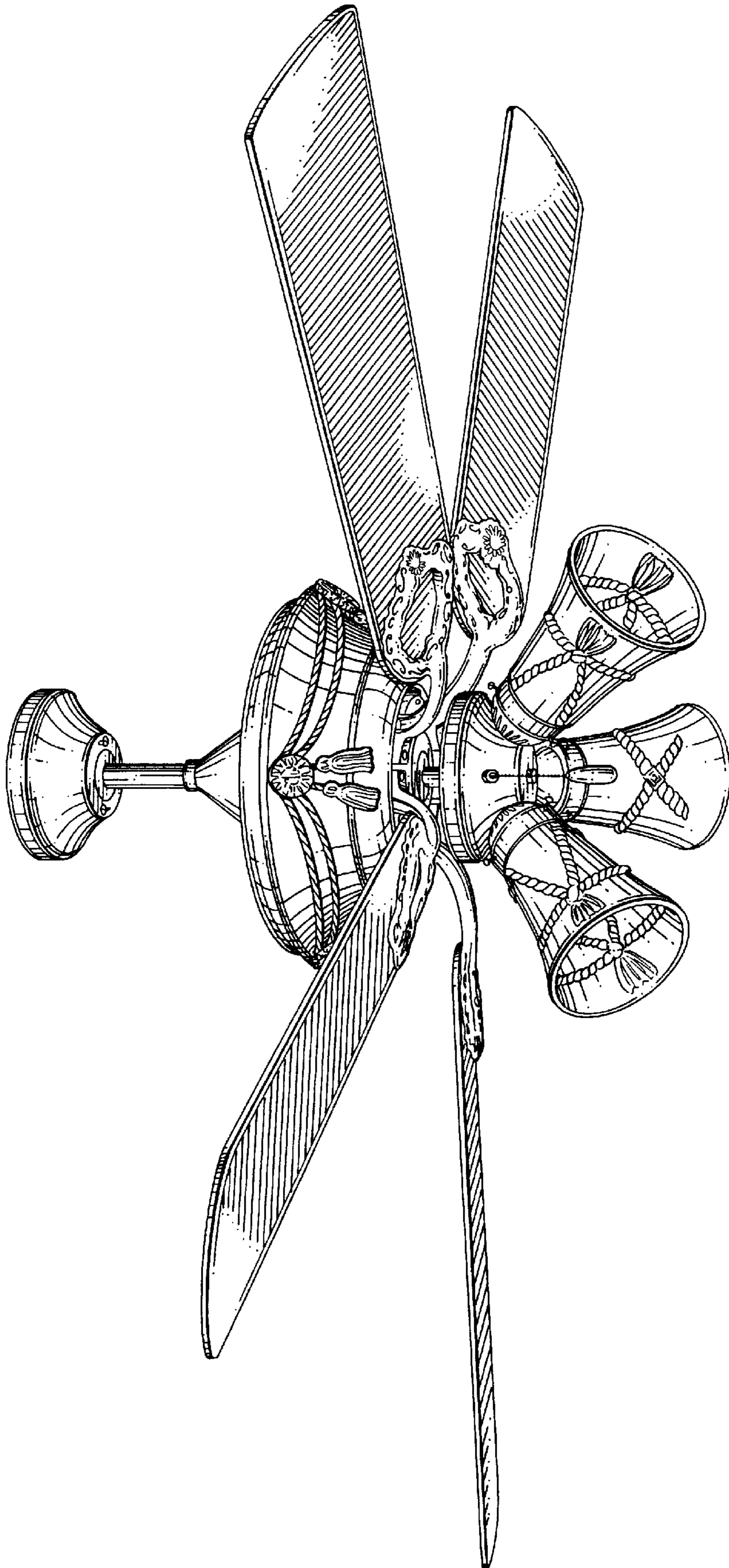


FIG. 1

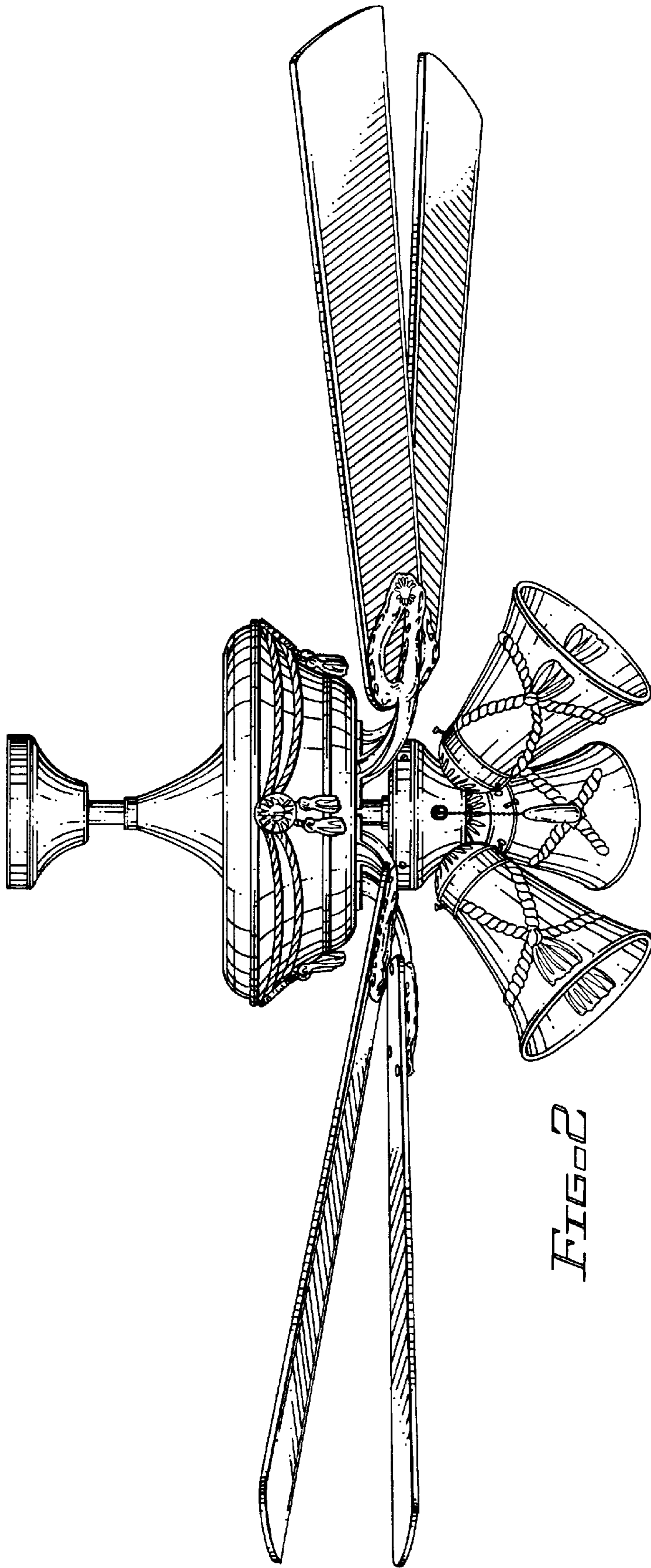


FIG. 2

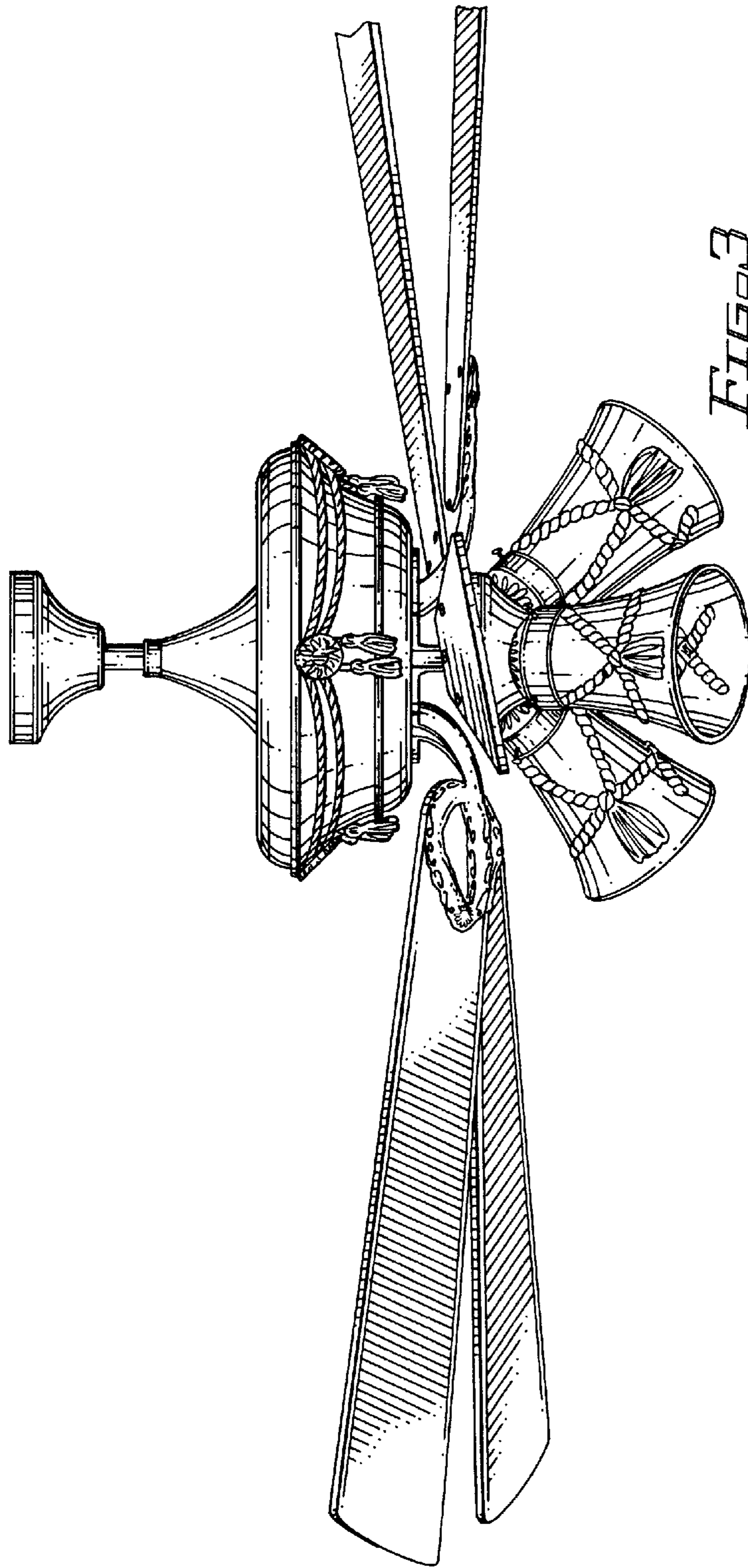


FIG. 3

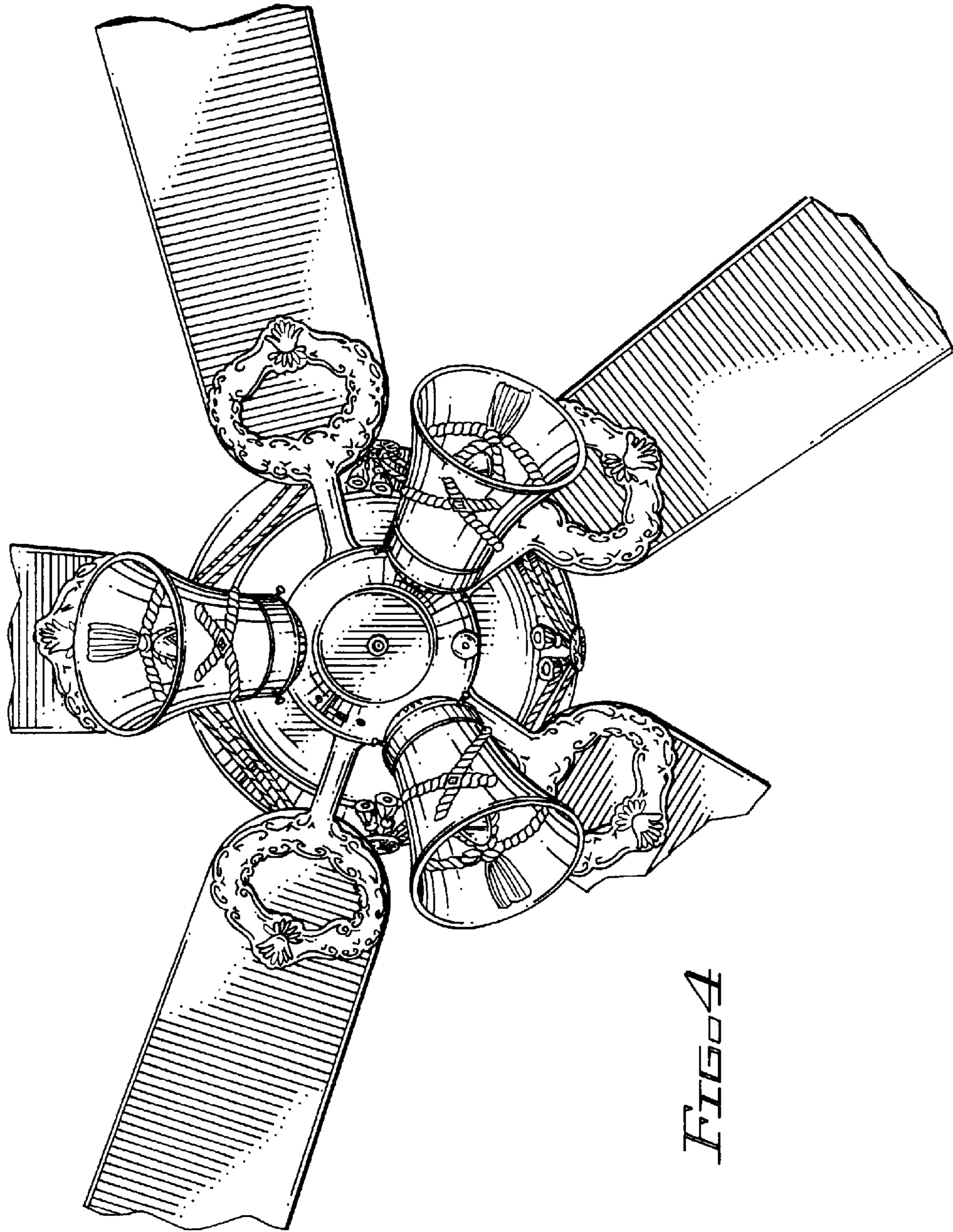


FIG 4

FIG. 5

