



US00D402361S

United States Patent [19]

Nepsund et al.

[11] **Patent Number: Des. 402,361**

[45] **Date of Patent: **Dec. 8, 1998**

[54] **PANEL FILTER CONSTRUCTION**

[75] Inventors: **Larry R. Nepsund**, Savage; **Kathleen A. Abrahamson**, Prior Lake; **Thomas A. Boeckermann**, Lakeville; **James K. Elfstrand**, Mounds View, all of Minn.

[73] Assignee: **Donaldson Company, Inc.**, Minneapolis, Minn.

[**] Term: **14 Years**

[21] Appl. No.: **56,896**

[22] Filed: **Jul. 11, 1996**

[51] **LOC (6) Cl. 23-04**

[52] **U.S. Cl. D23/365; D23/355**

[58] **Field of Search D23/355, 365; 55/499**

[56] **References Cited**

U.S. PATENT DOCUMENTS

D. 300,848	4/1989	Baker et al.	D23/365
2,174,528	10/1939	Prentiss .	
3,727,769	4/1973	Scholl .	
3,766,629	10/1973	Lechtenberg .	
3,837,995	9/1974	Floden .	
4,069,026	1/1978	Simm et al. .	
4,086,070	4/1978	Argo et al. .	
5,368,622	11/1994	McMillon	55/499
5,423,903	6/1995	Schmitz et al.	55/499

FOREIGN PATENT DOCUMENTS

0 212 082	3/1987	European Pat. Off. .
0 347 188	12/1989	European Pat. Off. .

OTHER PUBLICATIONS

“Nonwovens in Filtration/Separation”, paper presented by Clarke A. Rodman and Edward C. Homonoff, Allied After-market Division, Allied Signal Corporation, Nonwoven Fabrics Forum, Jun. 21–23, 1988, Clemson University, Clemson, S.C.

1989 SAE Handbook, vol. 3, Engines, Fuels, Lubricants, Emissions & Noise, pp. 24.45–24.47.

Primary Examiner—Lisa Lichtenstein
Attorney, Agent, or Firm—Merchant, Gould, Smith, Edell, Welter & Schmidt, P.A.

[57] **CLAIM**

The ornamental design for a panel filter construction, as shown and described.

DESCRIPTION

FIG. 1 is a perspective view of a panel filter construction; FIG. 2 is an enlarged right side view of FIG. 1, the left side being identical thereto; FIG. 3 is an enlarged top plan view of FIG. 1; FIG. 4 is an enlarged bottom plan view of FIG. 1; FIG. 5 is an enlarged front side view of FIG. 1, the back side view being identical thereto; FIG. 6 is a perspective view of a second embodiment of a panel filter construction; separate layers of filter media in the construction being indicated to contrast in appearance; FIG. 7 is an enlarged right side view of FIG. 6, the left side being identical thereto; FIG. 8 is an enlarged top plan view of FIG. 6; FIG. 9 is an enlarged bottom plan view of FIG. 6; FIG. 10 is an enlarged front side view of FIG. 6, the back side view being identical thereto; FIG. 11 is a perspective view of another embodiment of a panel filter construction; an outermost layer of media being lined to indicate blue color, and a next inner layer being marked to indicate color contrast; FIG. 12 is an enlarged right side view of FIG. 11, the left side being identical thereto; FIG. 13 is an enlarged top plan view of FIG. 11; FIG. 14 is an enlarged bottom plan view of FIG. 11; and, FIG. 15 is an enlarged front side view of FIG. 11, the back side view being identical thereto.

1 Claim, 12 Drawing Sheets

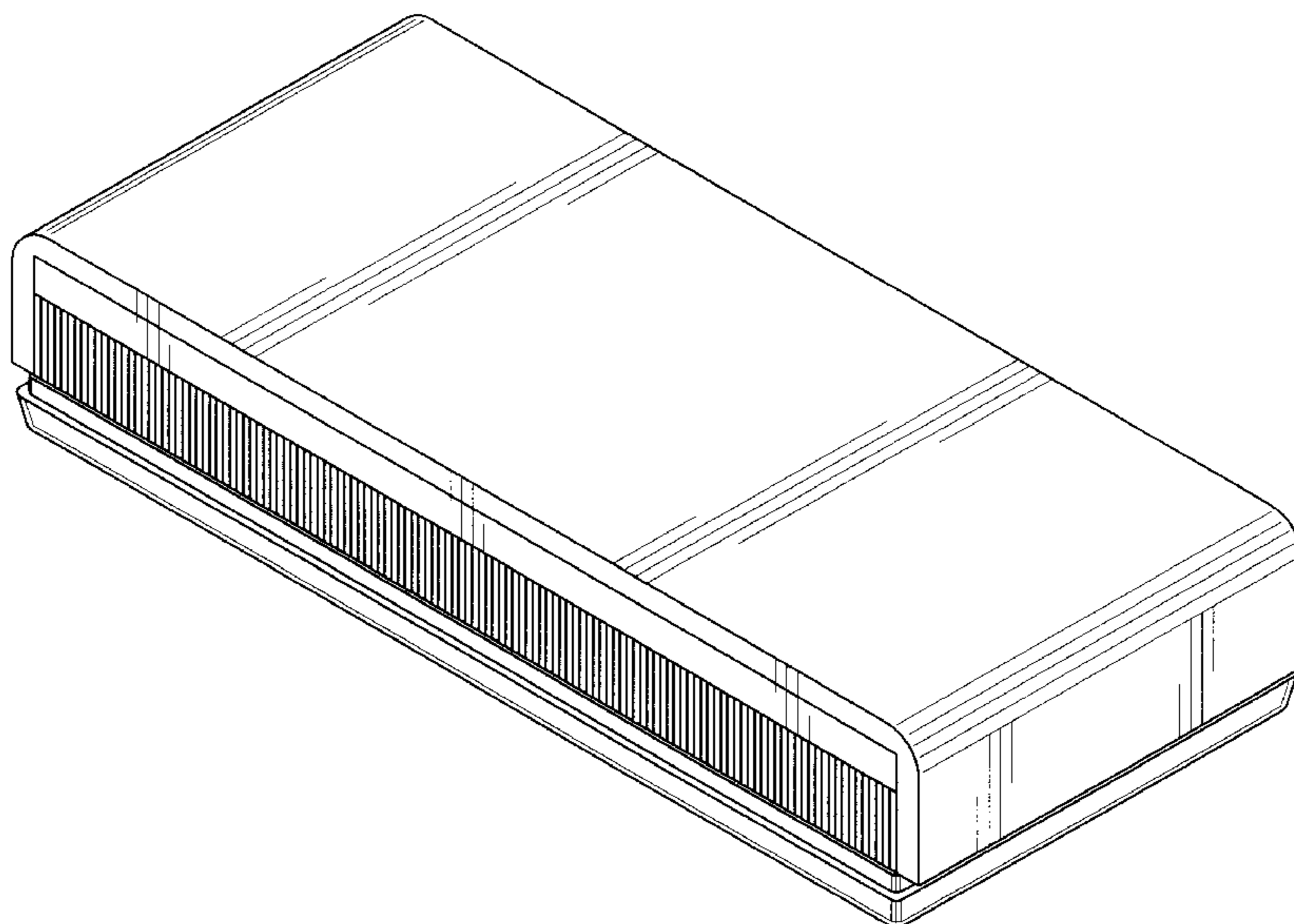


FIG. 1

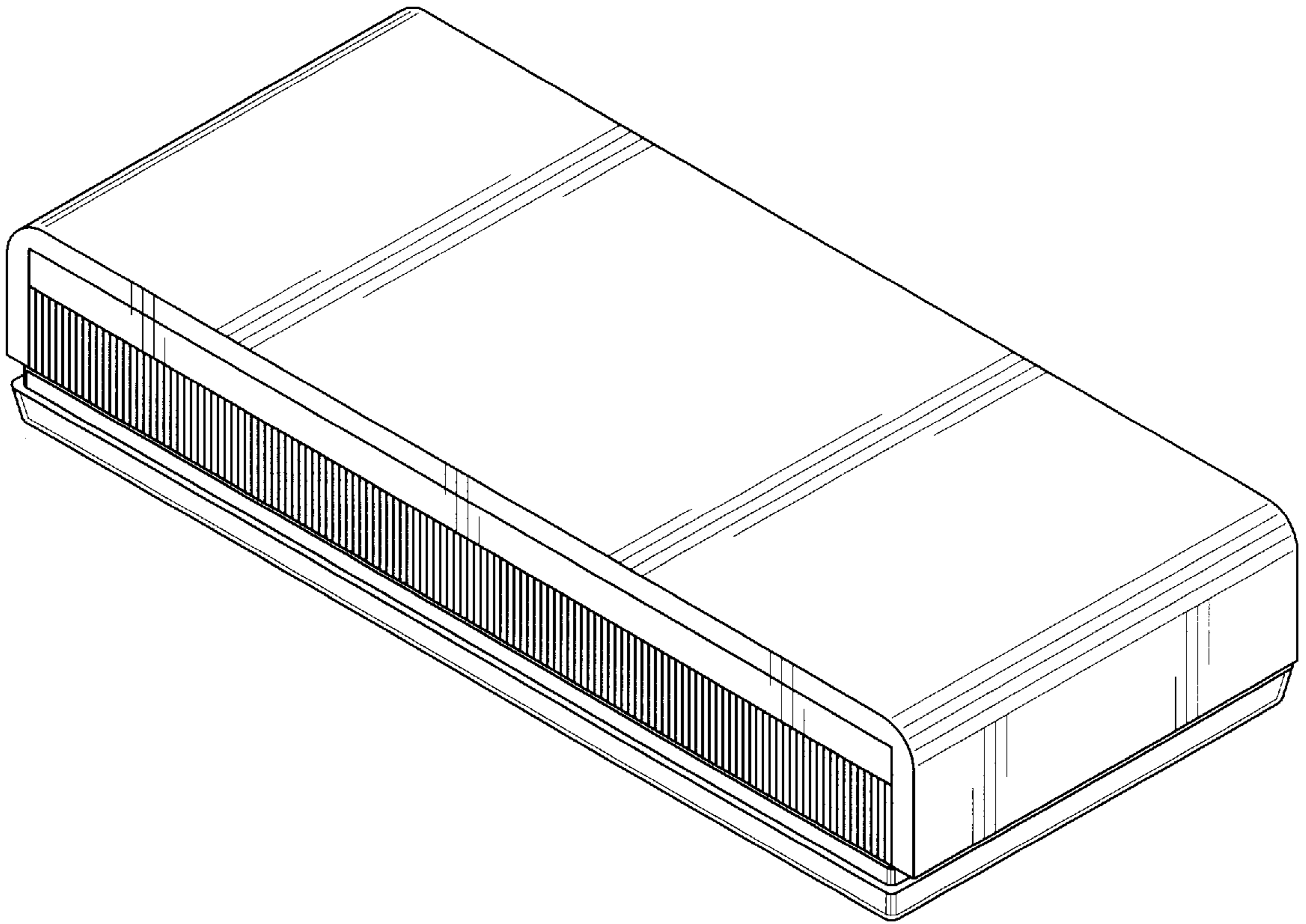
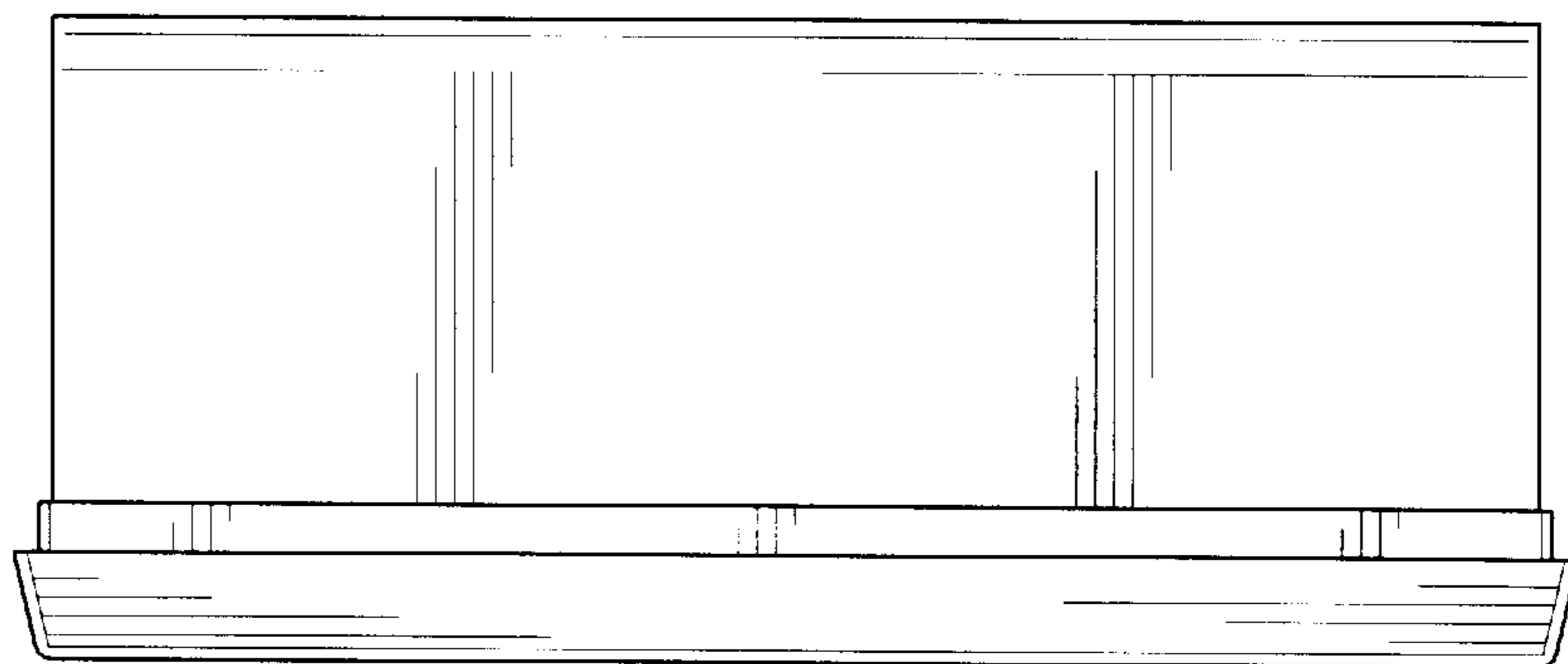


FIG. 2



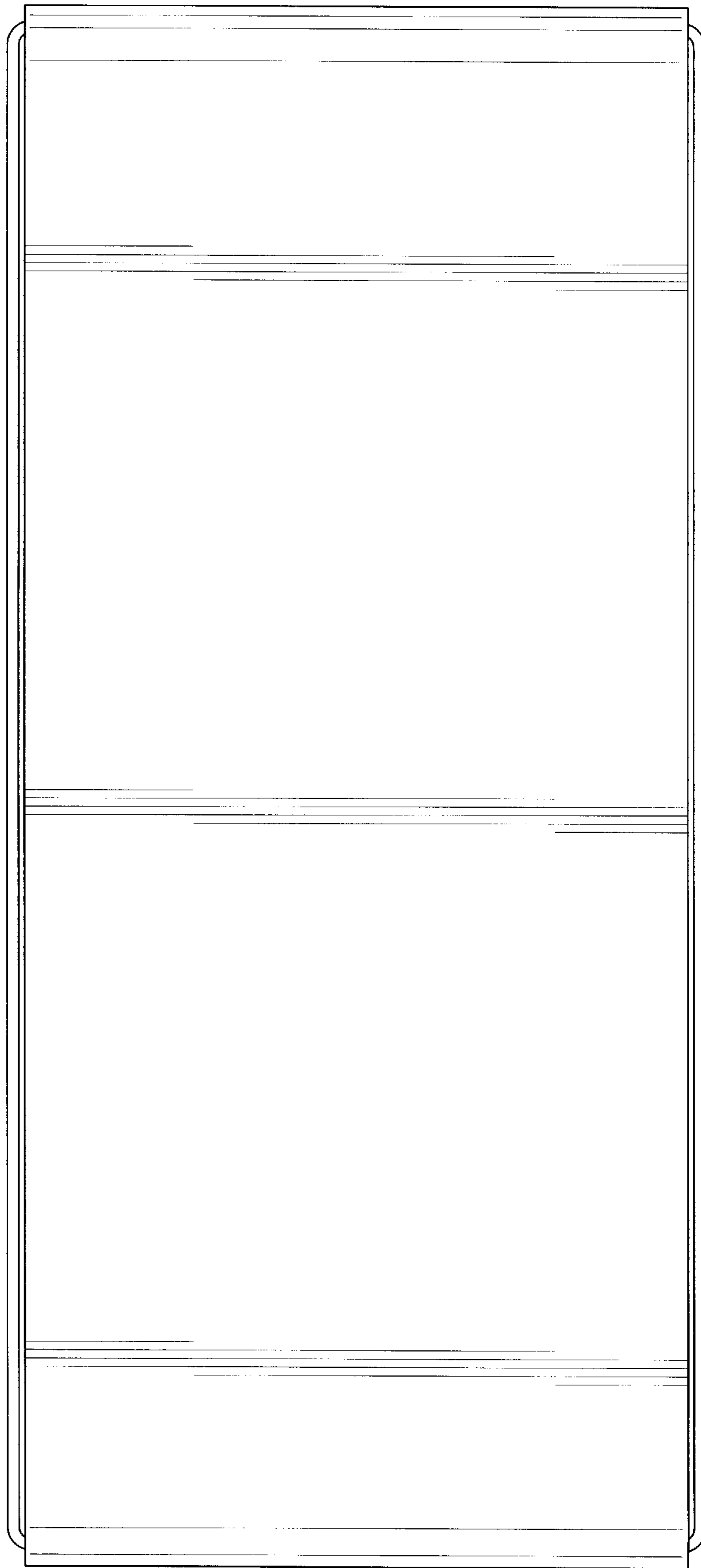


FIG. 3

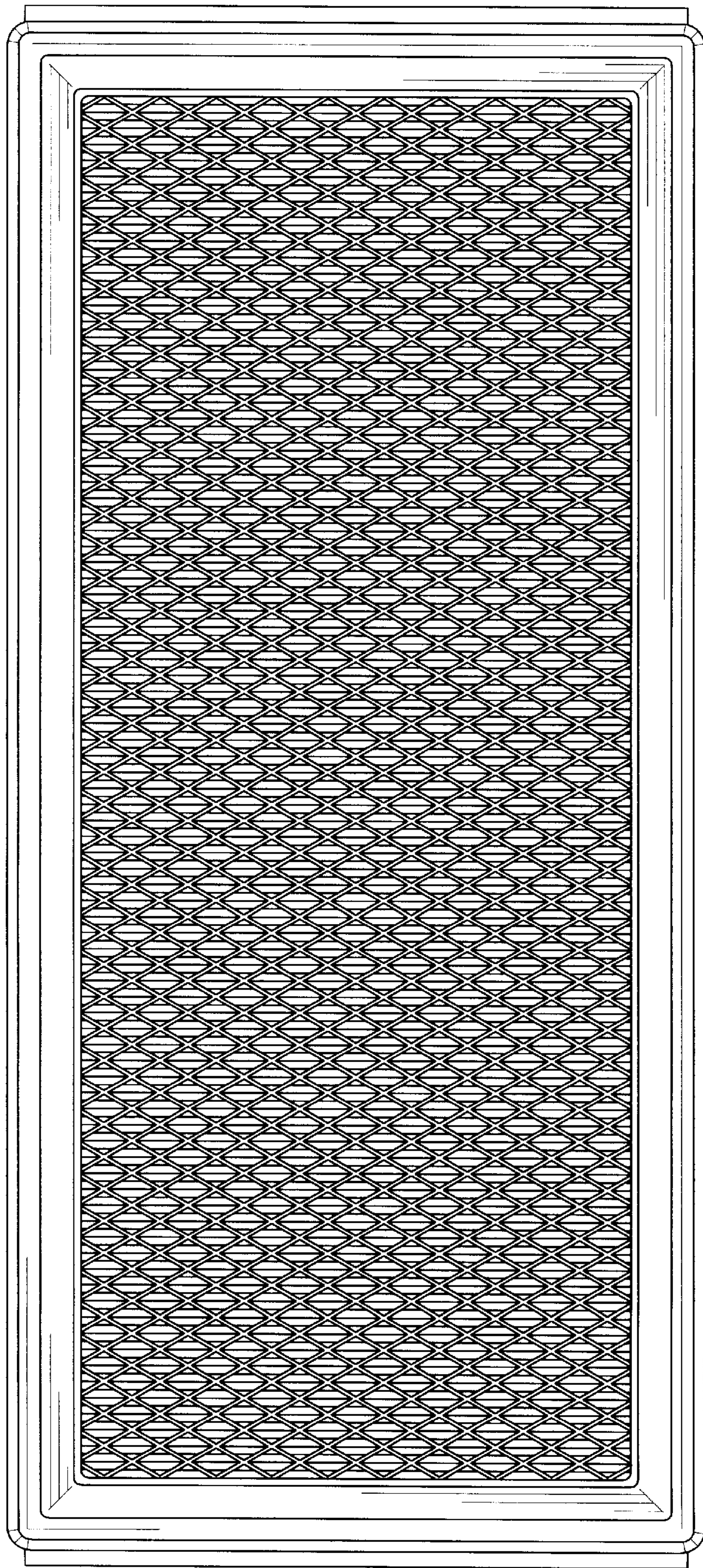


FIG. 4

FIG. 5

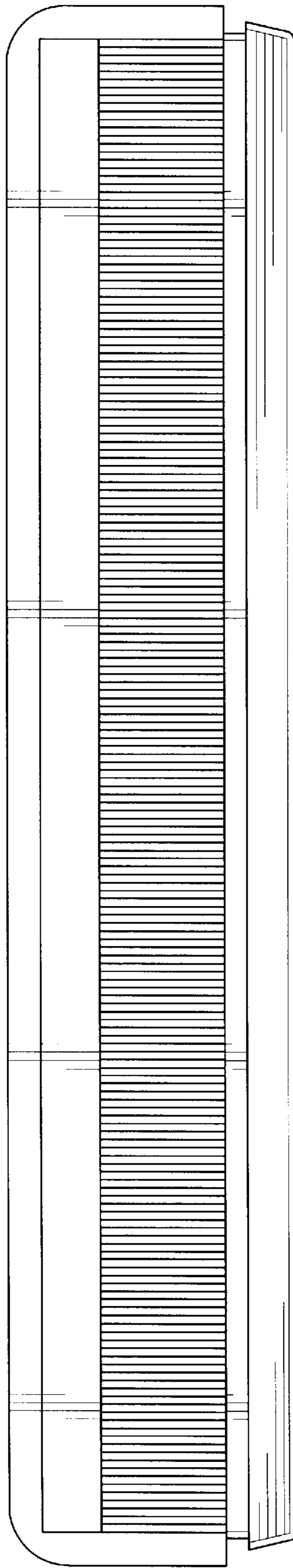


FIG. 6

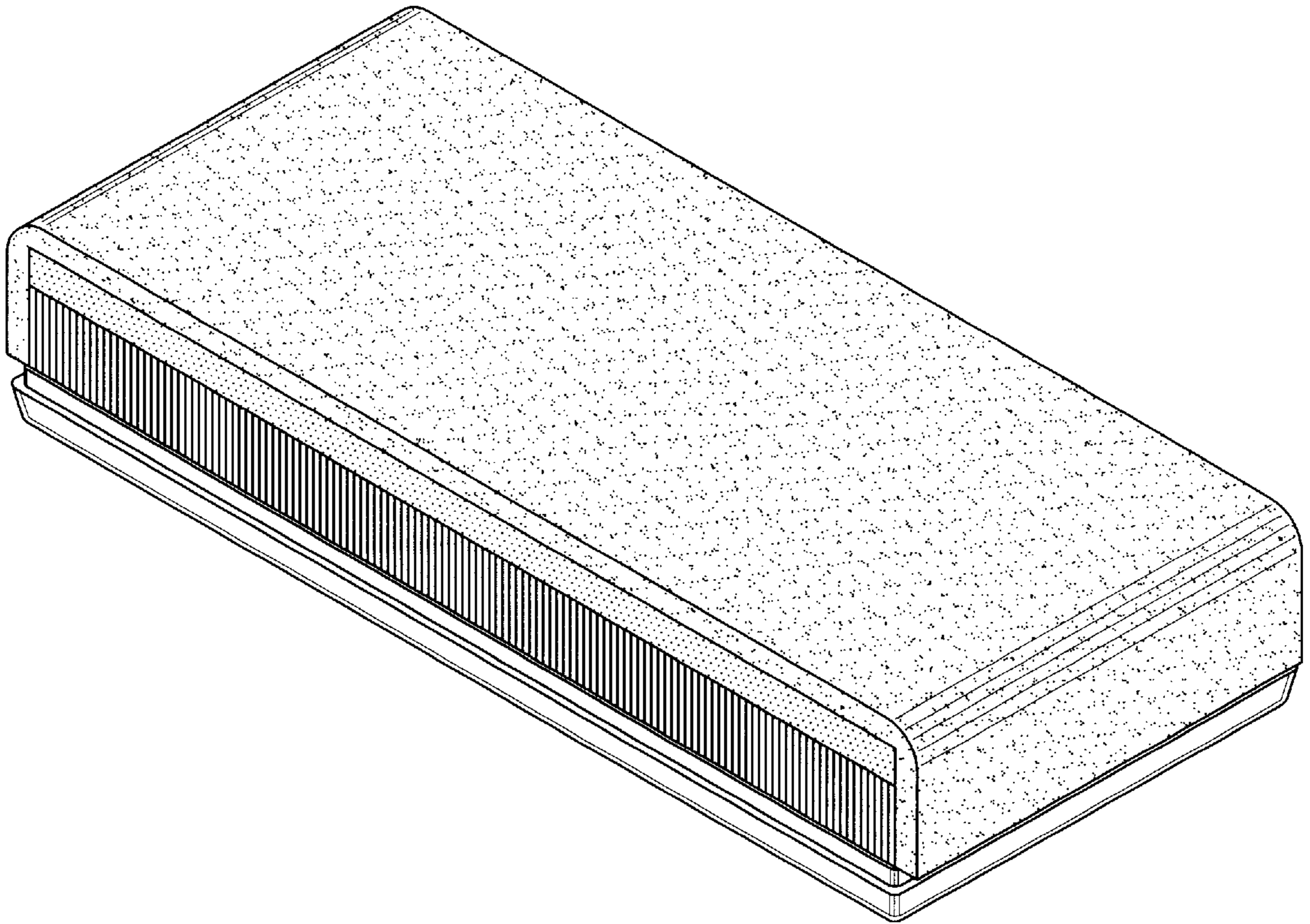
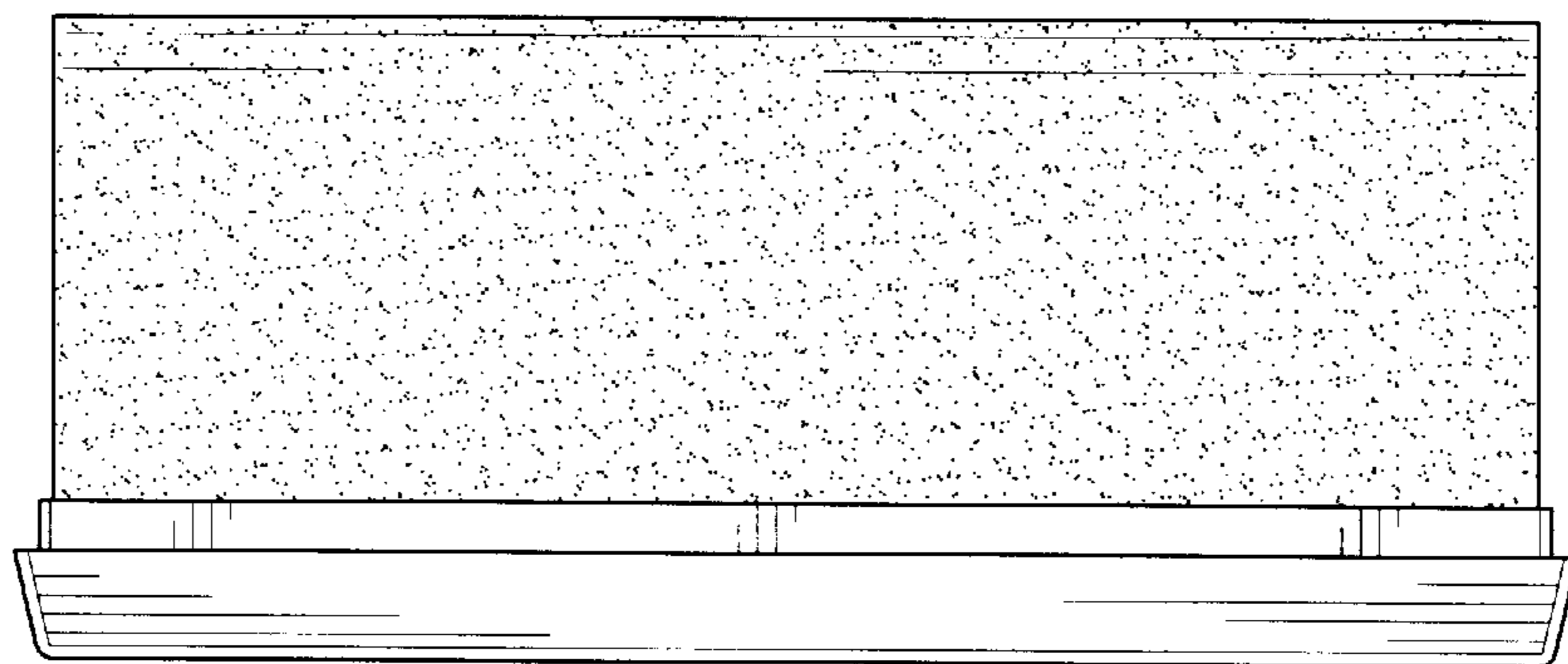


FIG. 7



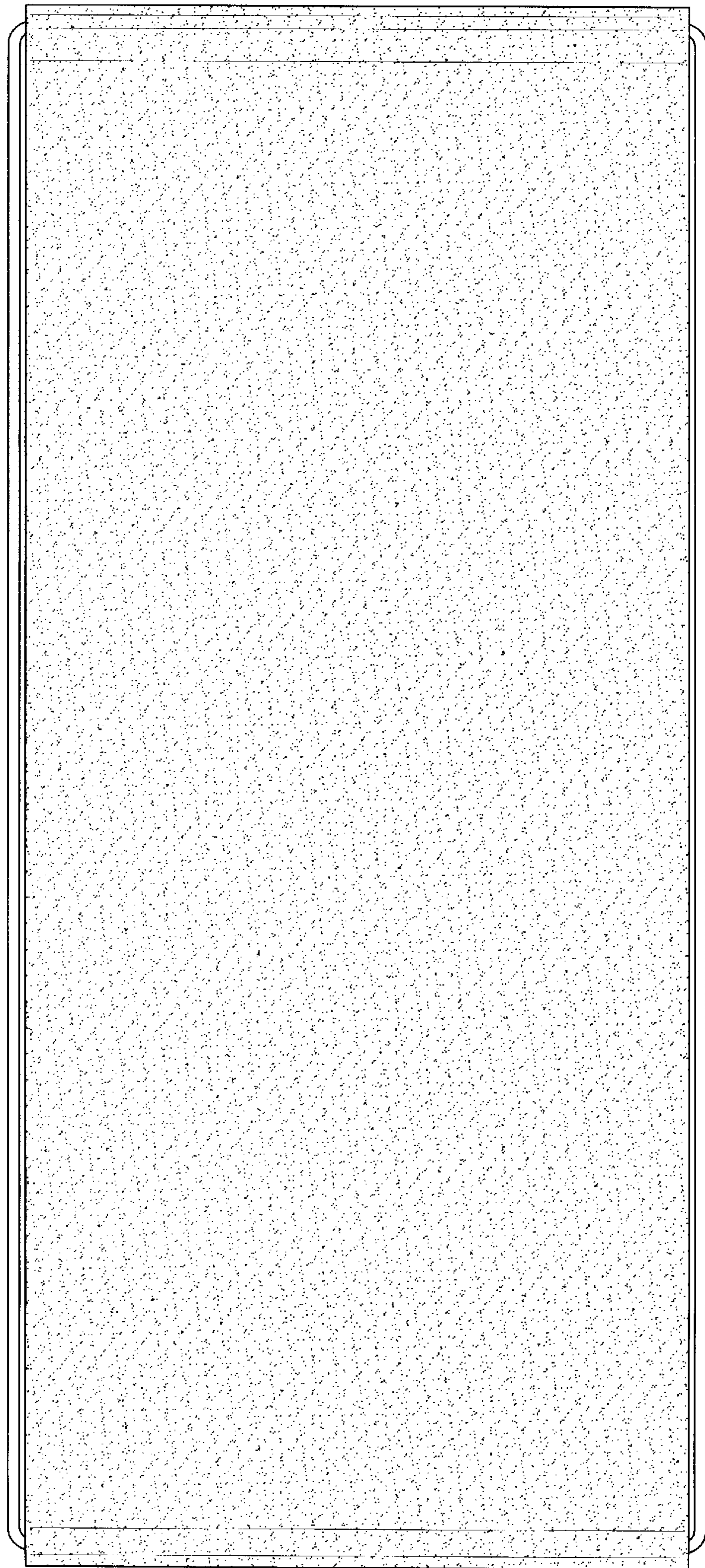


FIG. 8

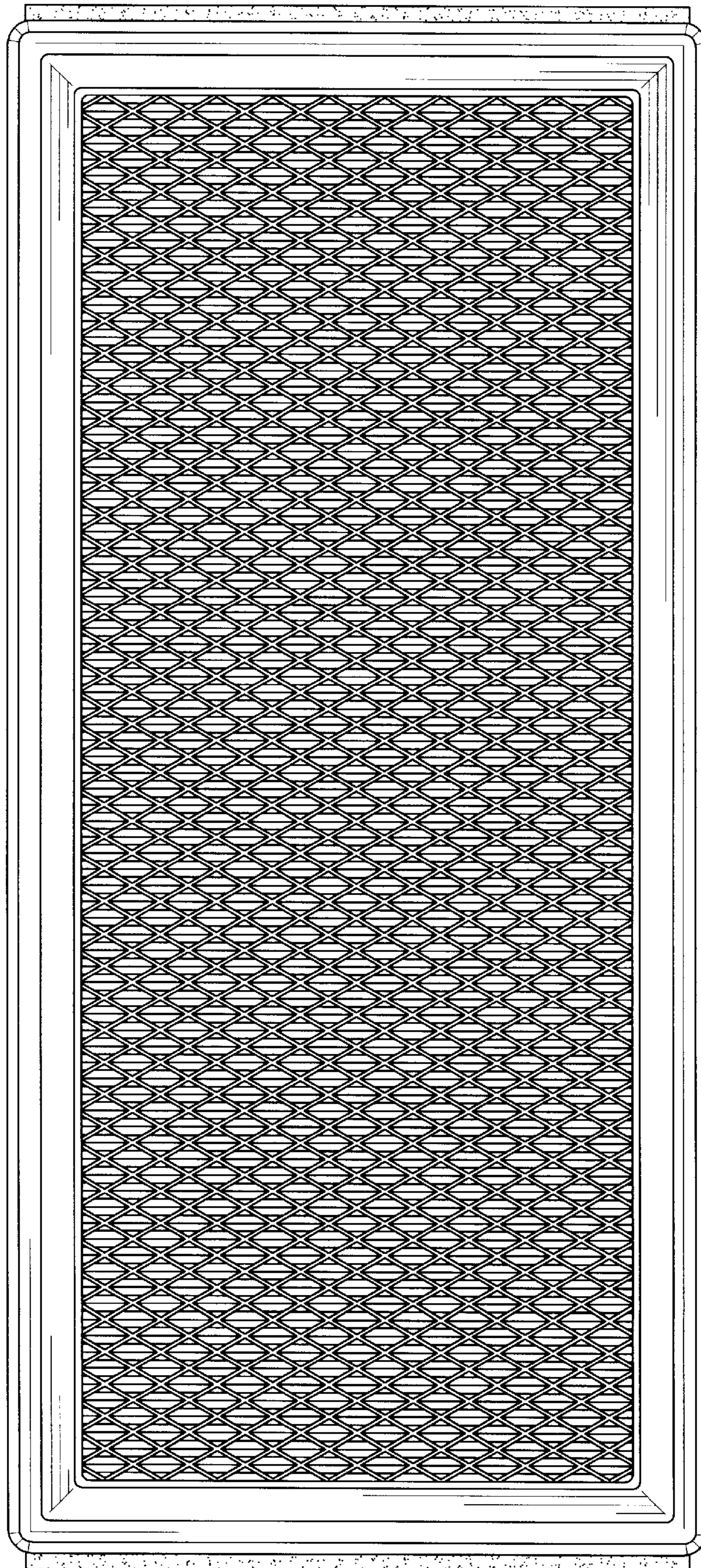


FIG. 9

FIG. 10

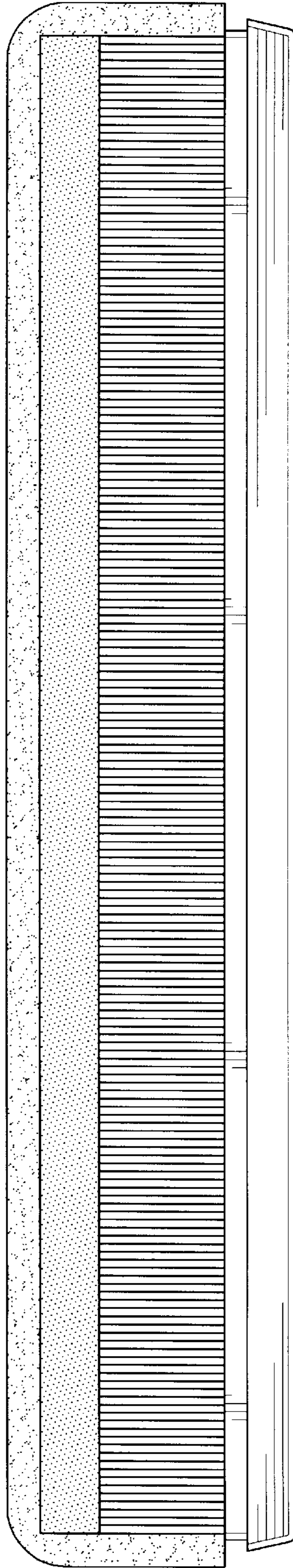


FIG. 11

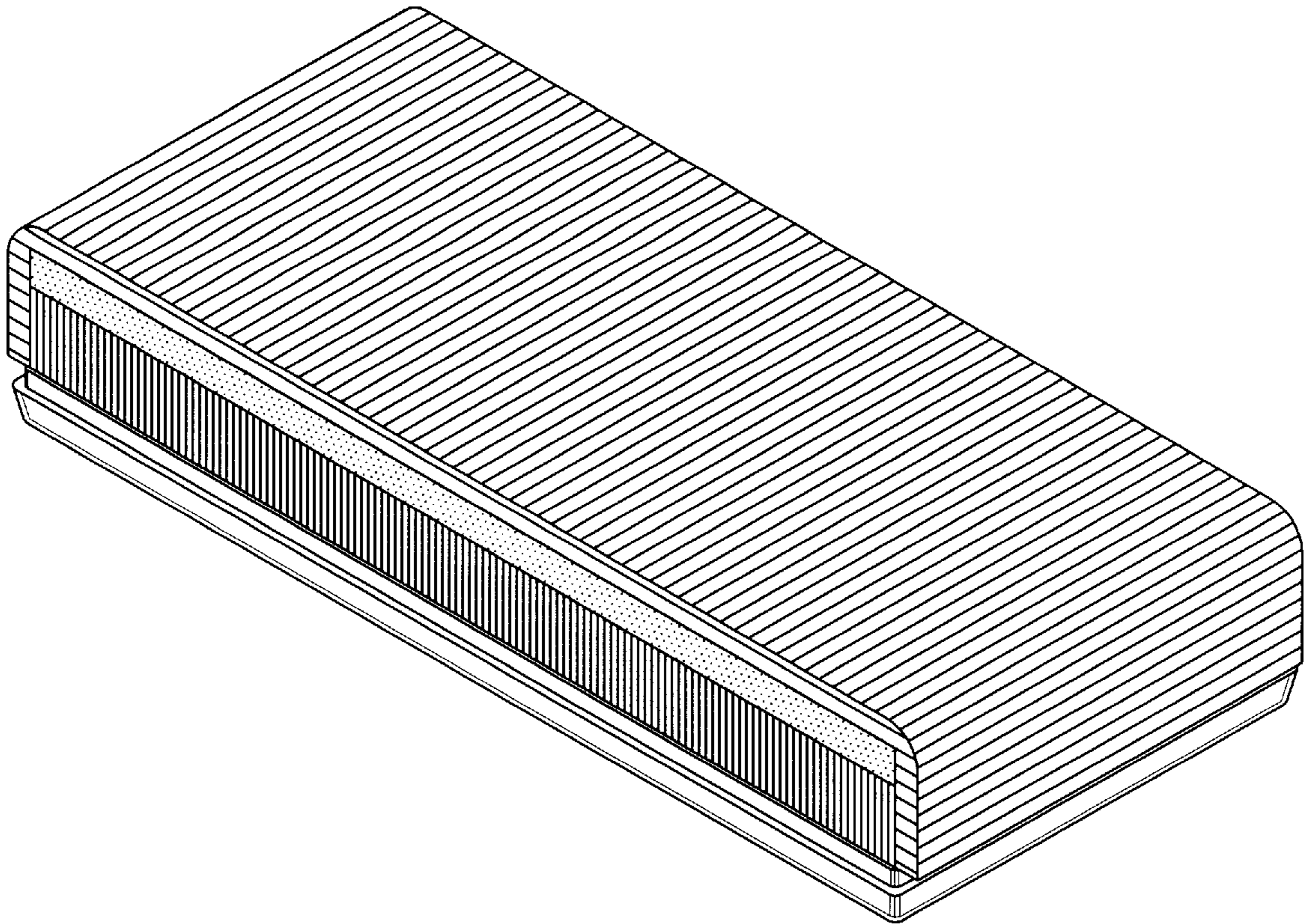


FIG. 12

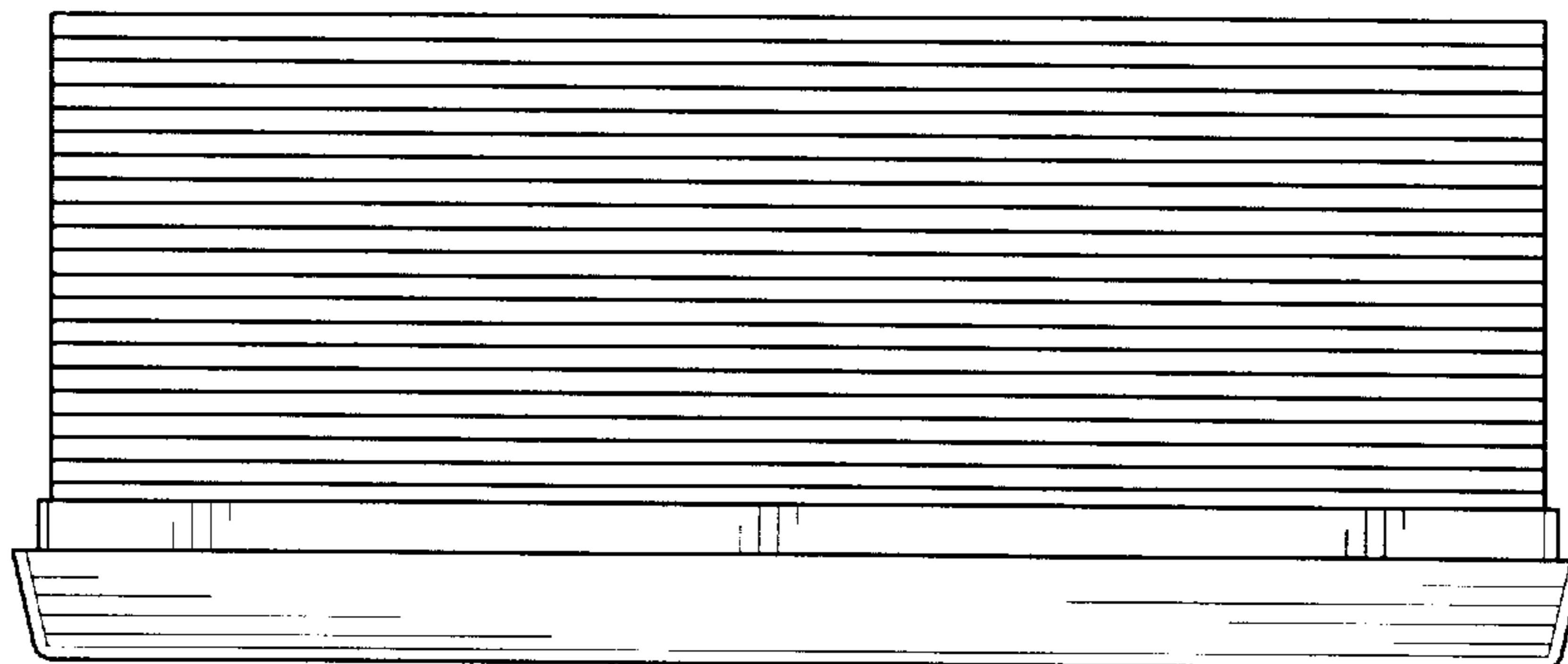
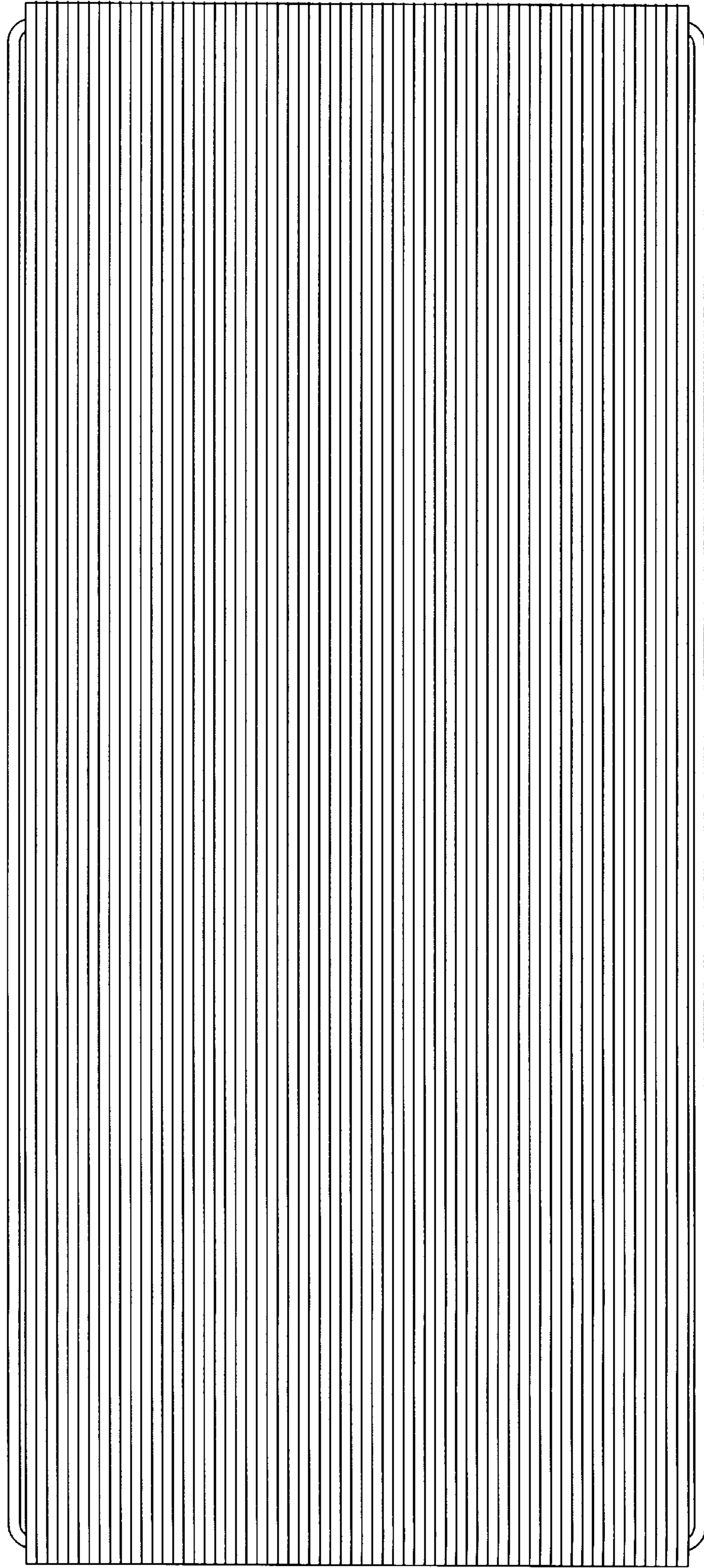


FIG. 13



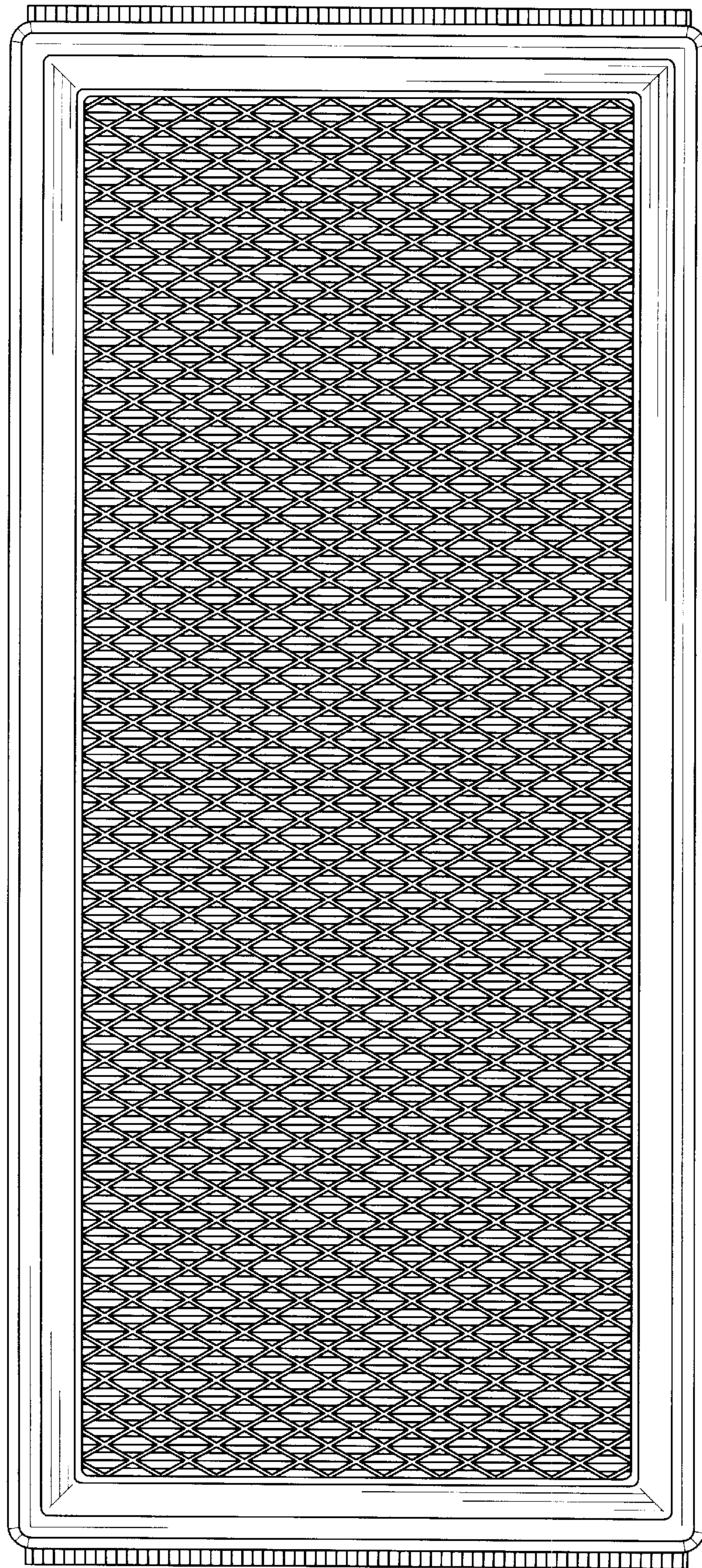


FIG. 14

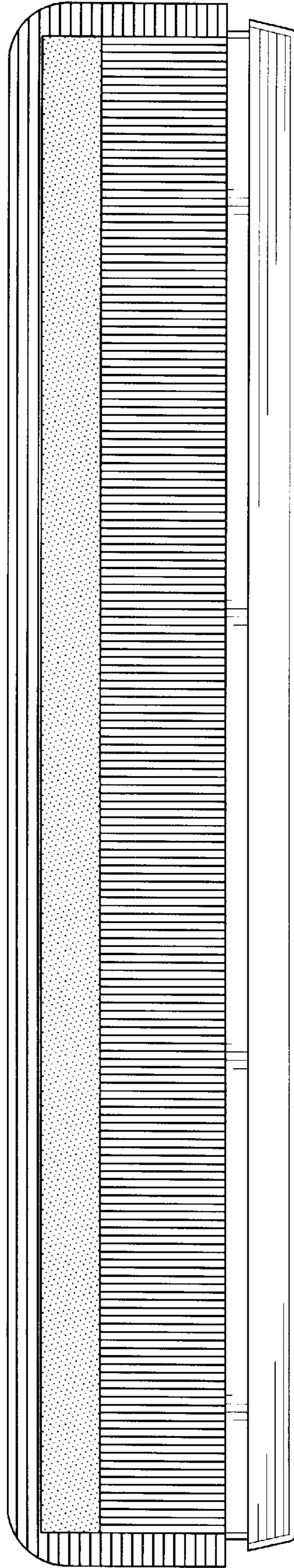


FIG. 15

UNITED STATES PATENT AND TRADEMARK OFFICE
CERTIFICATE OF CORRECTION

PATENT NO. : Des. 402,361
DATED : DECEMBER 8, 1998
INVENTOR(S) : NEPSUND ET AL.

It is certified that error appears in the above-identified patent and that said Letters Patent is hereby corrected as shown below:

On the title page,:

Description, line 17: "another" should read --a third--

Signed and Sealed this
Twentieth Day of July, 1999

Attest:



Q. TODD DICKINSON

Attesting Officer

Acting Commissioner of Patents and Trademarks