



US00D402358S

United States Patent [19] Bonnell

[11] **Patent Number: Des. 402,358**

[45] **Date of Patent: **Dec. 8, 1998**

[54] **SINK**

[75] Inventor: **Thomas A. Bonnell**, Sheboygan, Wis.

[73] Assignee: **Kohler Co.**, Kohler, Wis.

[**] Term: **14 Years**

[21] Appl. No.: **64,999**

[22] Filed: **Jan. 15, 1997**

[51] **LOC (6) Cl. 23-02**

[52] **U.S. Cl. D23/290**

[58] **Field of Search** D23/284, 285,
D23/290, 291, 292, 293.1; 4/619, 624,
626, 638-650

[56] **References Cited**

U.S. PATENT DOCUMENTS

D. 279,404	6/1985	Hiller	D23/290
D. 329,491	9/1992	Bunnell et al.	D23/284
D. 344,576	2/1994	Stairs, Jr.	D23/290
2,023,692	12/1935	McQuinn	4/631

OTHER PUBLICATIONS

Undated Kohler ad showing "Entrée" and Executive Chef sinks, admitted prior art.

1994 Kohler ad showing "Undertone" basin.

1989 Kohler ad showing "Ladena" lavatory.

Undated Jacob Delafon ad showing "Gourmet" sink, admitted prior art.

Undated ad showing sink, supplier unknown, admitted prior art.

Undated ad showing various dual-level sinks, supplier unknown, admitted prior art.

Undated Blanco ad showing various kitchen sinks, admitted prior art.

Undated ad showing various kitchen sinks, supplier unknown, admitted prior art.

Undated Kohler ad showing various kitchen sinks, admitted prior art.

Undated Juliette ad showing various kitchen sinks, admitted prior art.

Undated Juliette ad showing a "l'Astucieuse" sink, admitted prior art.

Undated Asterite ad showing a "supersink", admitted prior art.

Undated Asterite ad showing a "Supersink 2000", admitted prior art.

Primary Examiner—Louis S. Zarfes

Assistant Examiner—Eric Watterson

Attorney, Agent, or Firm—Quarles & Brady

[57] **CLAIM**

The ornamental design for a sink, as shown and described.

DESCRIPTION

FIG. 1 is a right, top, front perspective view of a sink embodying my new design;

FIG. 2 is a top plan view thereof;

FIG. 3 is a front elevational view thereof, the rear elevational view being a mirror image of the front side shown;

FIG. 4 is a left side elevational view thereof;

FIG. 5 is a right side elevational view thereof;

FIG. 6 is a cross-sectional view taken along line 6—6 of FIG. 2;

FIG. 7 is a cross-sectional view taken along line 7—7 of FIG. 2;

FIG. 8 is a cross-sectional view taken along line 8—8 of FIG. 2;

FIG. 9 is a top plan view of a second embodiment, the rear elevational view thereof being identical to FIG. 3, the front elevational view thereof being the mirror image of FIG. 3, the right side view thereof being the mirror image of FIG. 4 and the left side view thereof being the mirror image of FIG. 5;

FIG. 10 is a right, top, front perspective view of a third embodiment which is identical to the first embodiment but for the outer mounting rim being a flat, uniformly thick slab; FIG. 11 is a cross-sectional view taken along line 11—11 of FIG. 10;

FIG. 12 is a left, top, front perspective view of a fourth embodiment but for the outer mounting rim being a flat, uniformly thick slab; and,

FIG. 13 is a cross-sectional view taken along line 13—13 of FIG. 12.

The broken line representations of holes in FIGS. 1, 2, 9, 10, and 12 are for purposes of illustration only, and form no part of the claimed design.

1 Claim, 10 Drawing Sheets

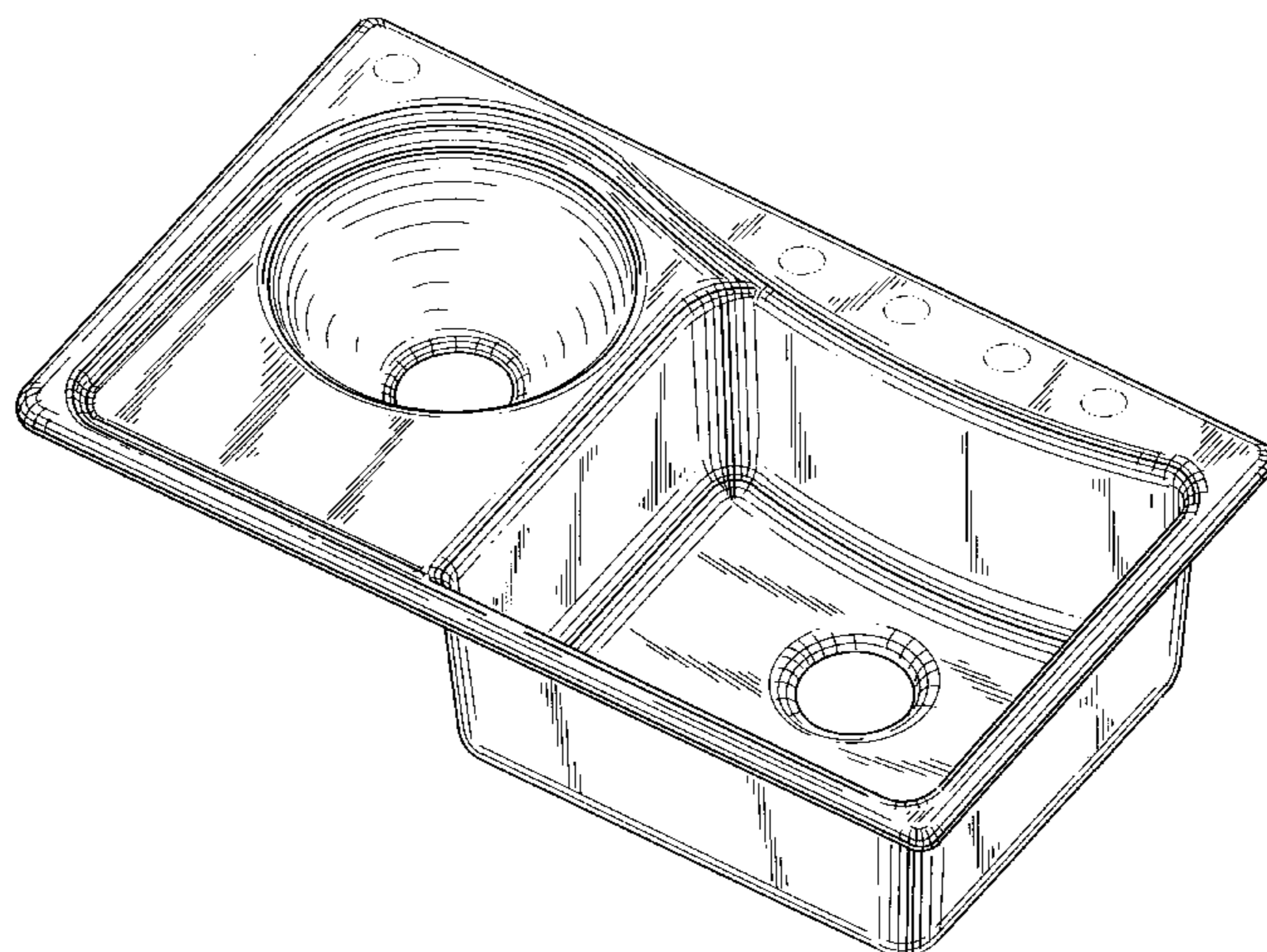
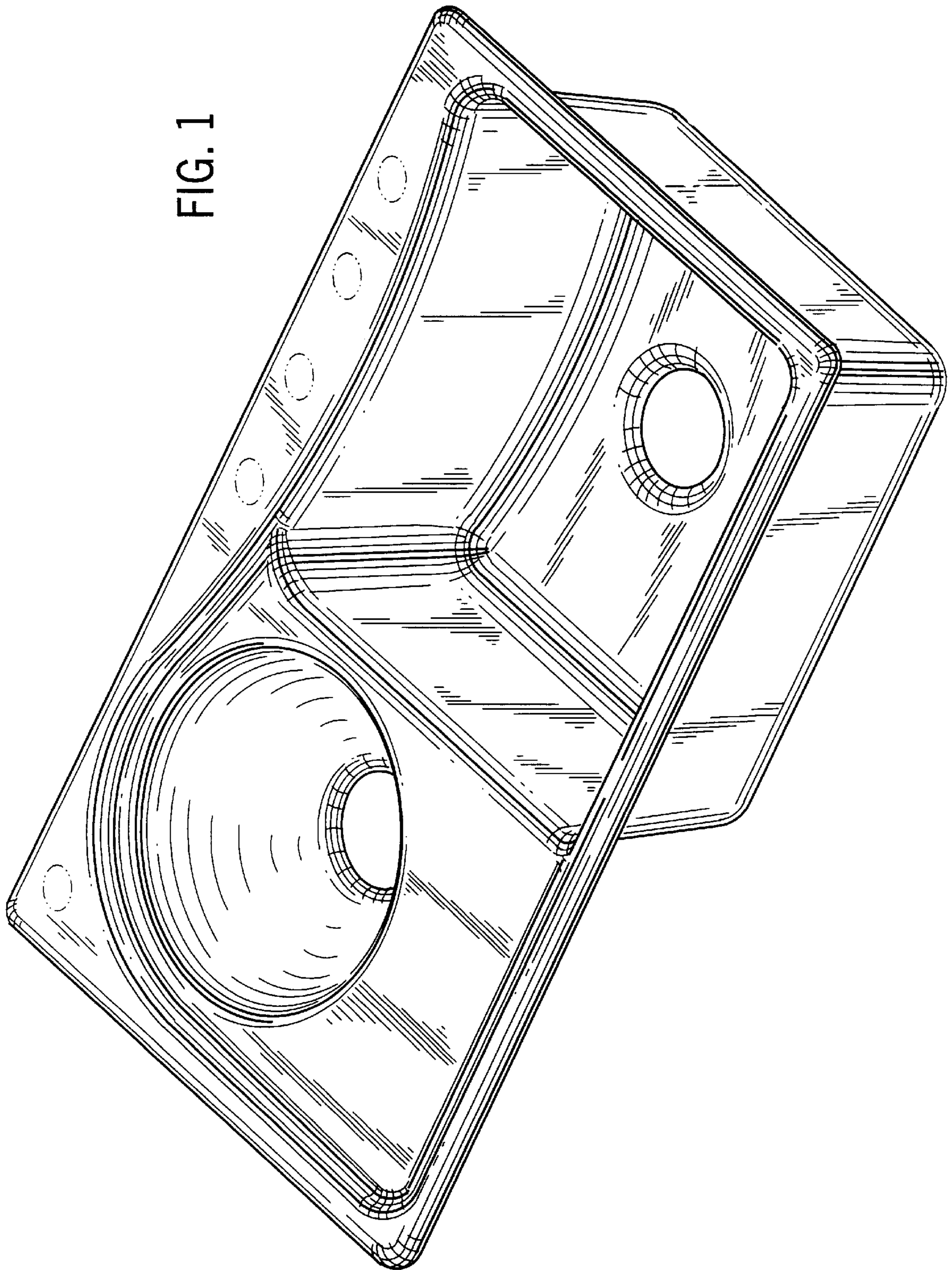


FIG. 1



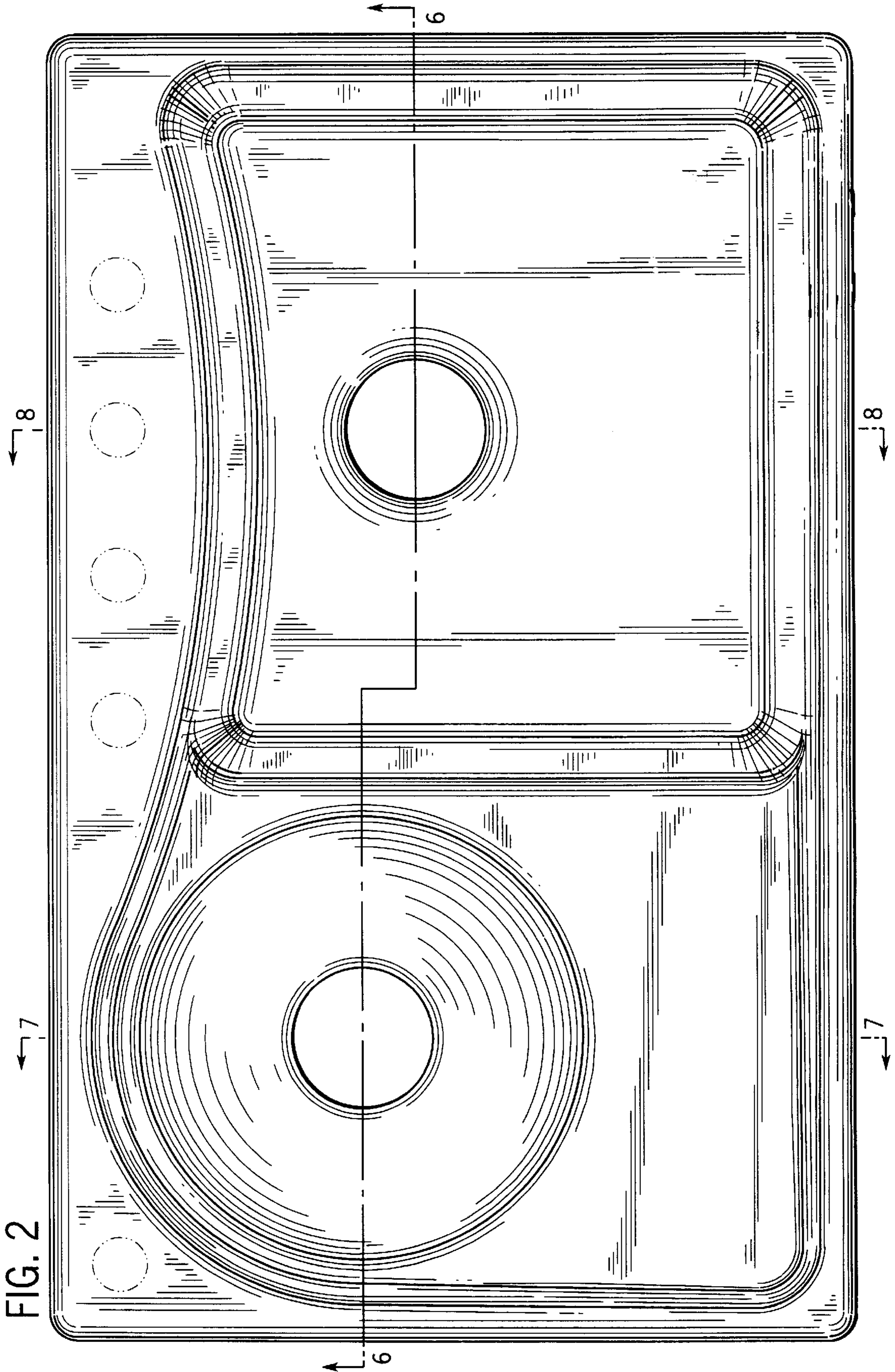


FIG. 3

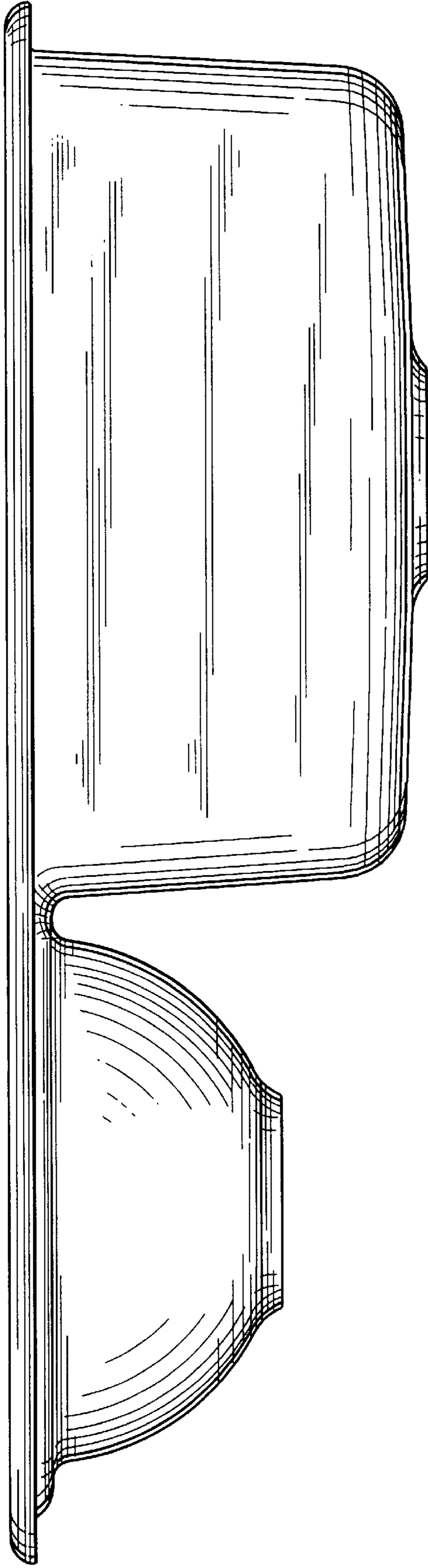
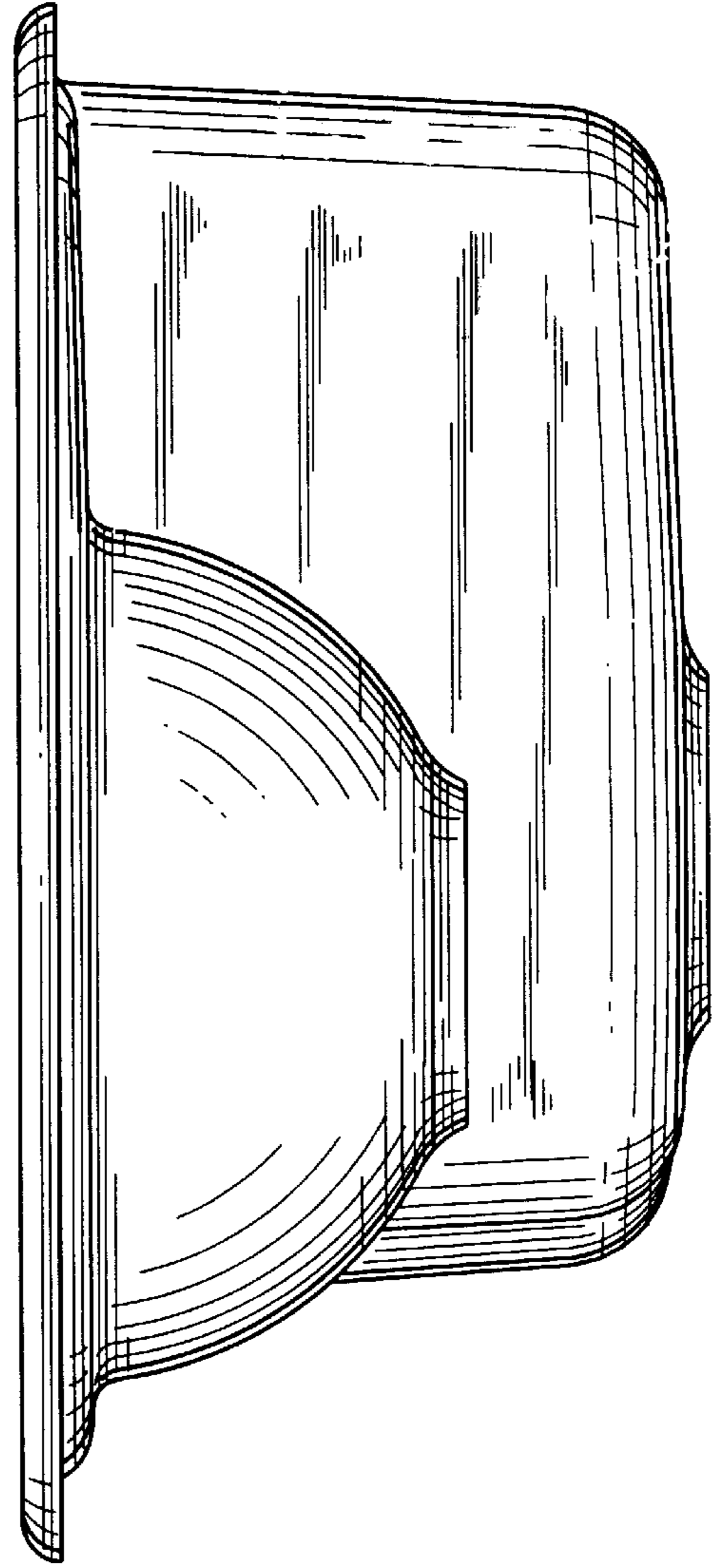


FIG. 4



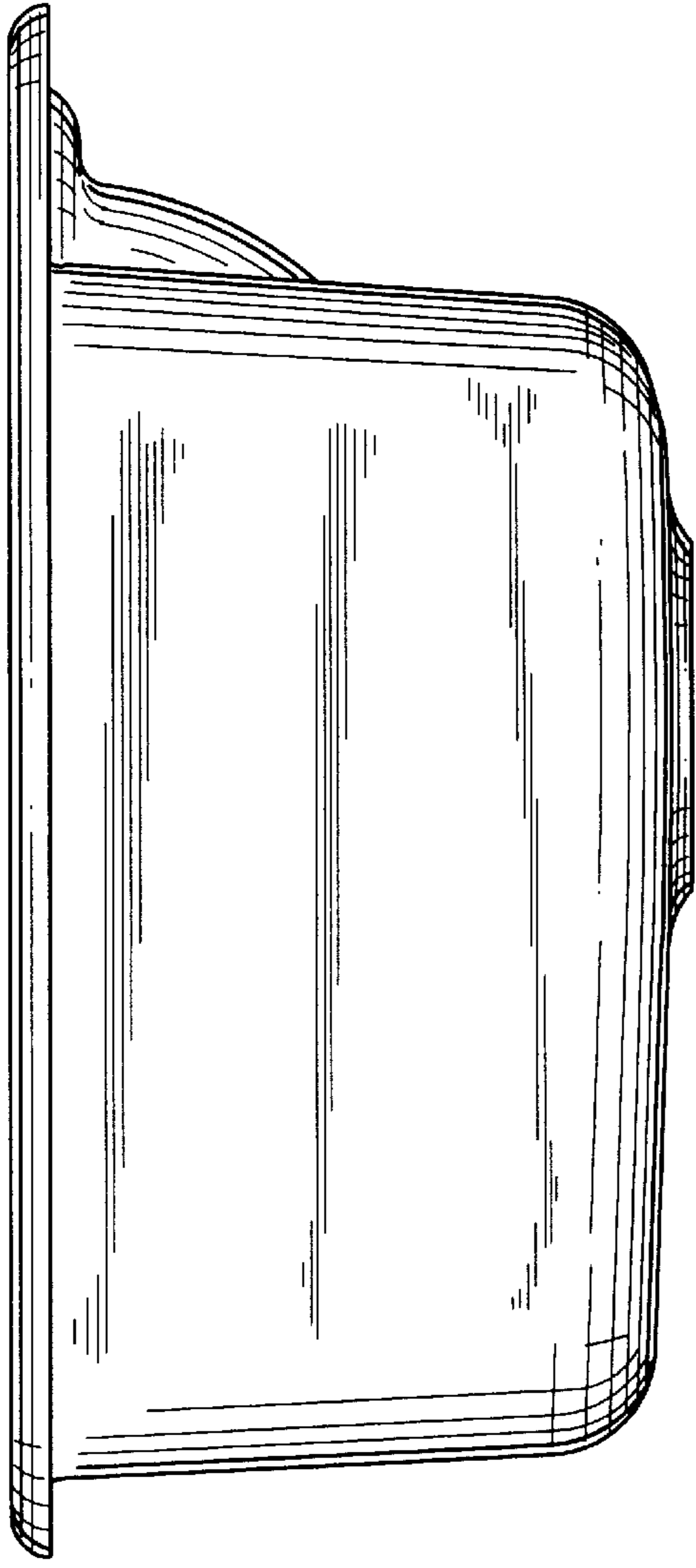


FIG. 5

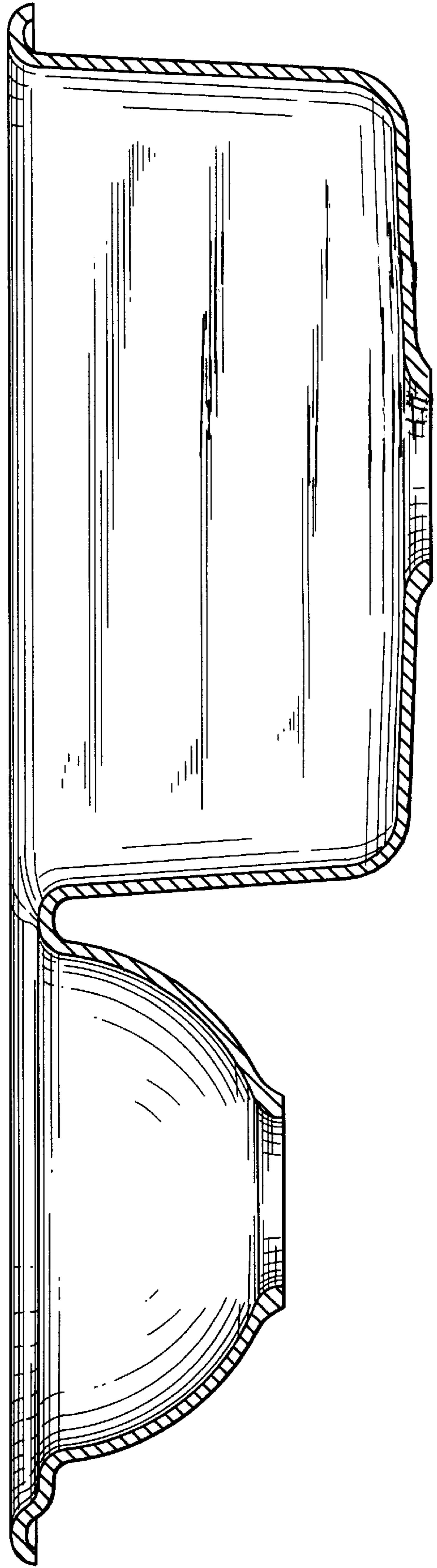


FIG. 6

FIG. 7

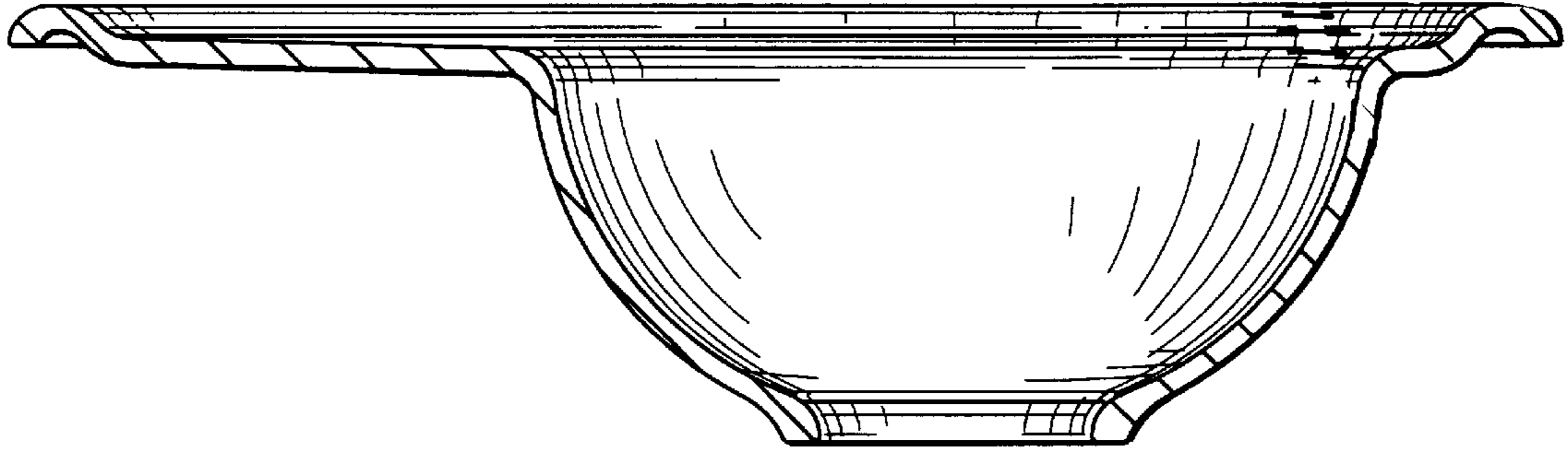
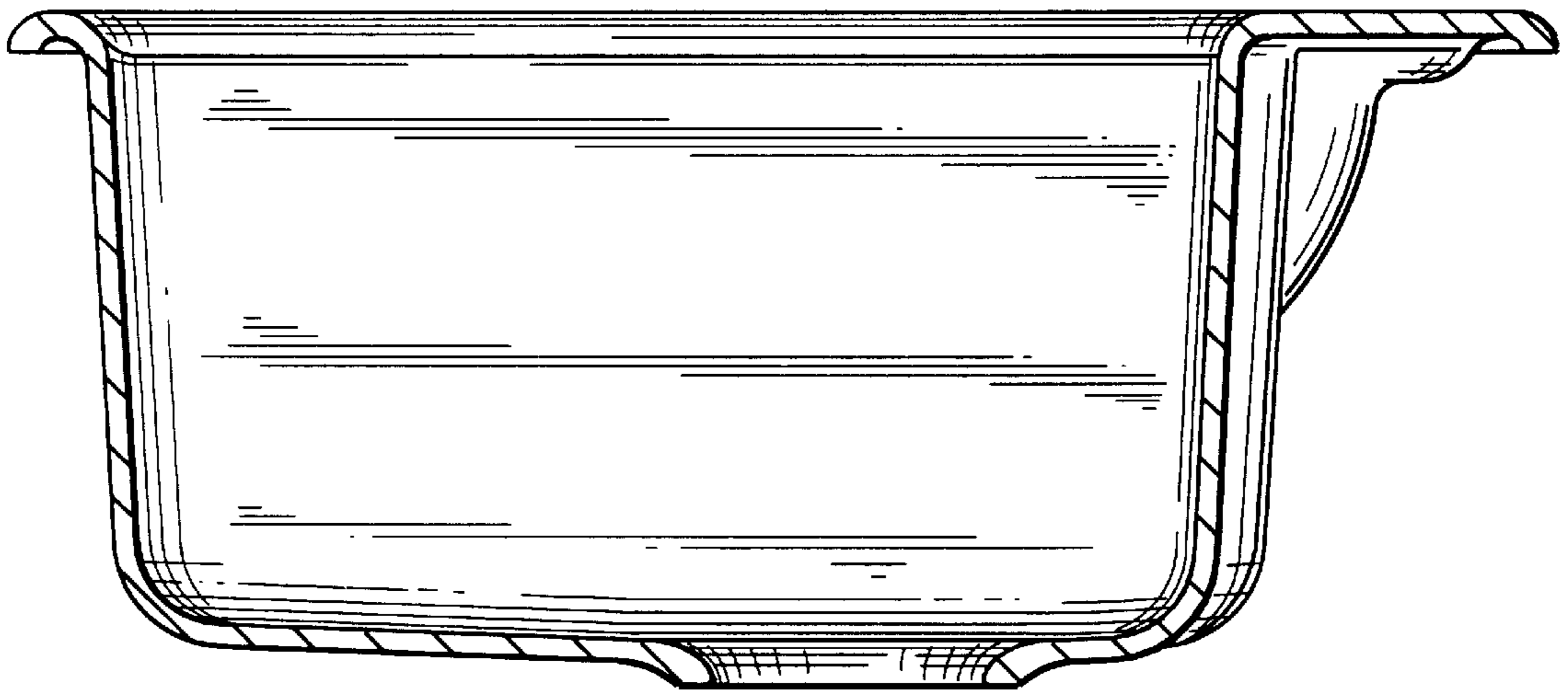


FIG. 8



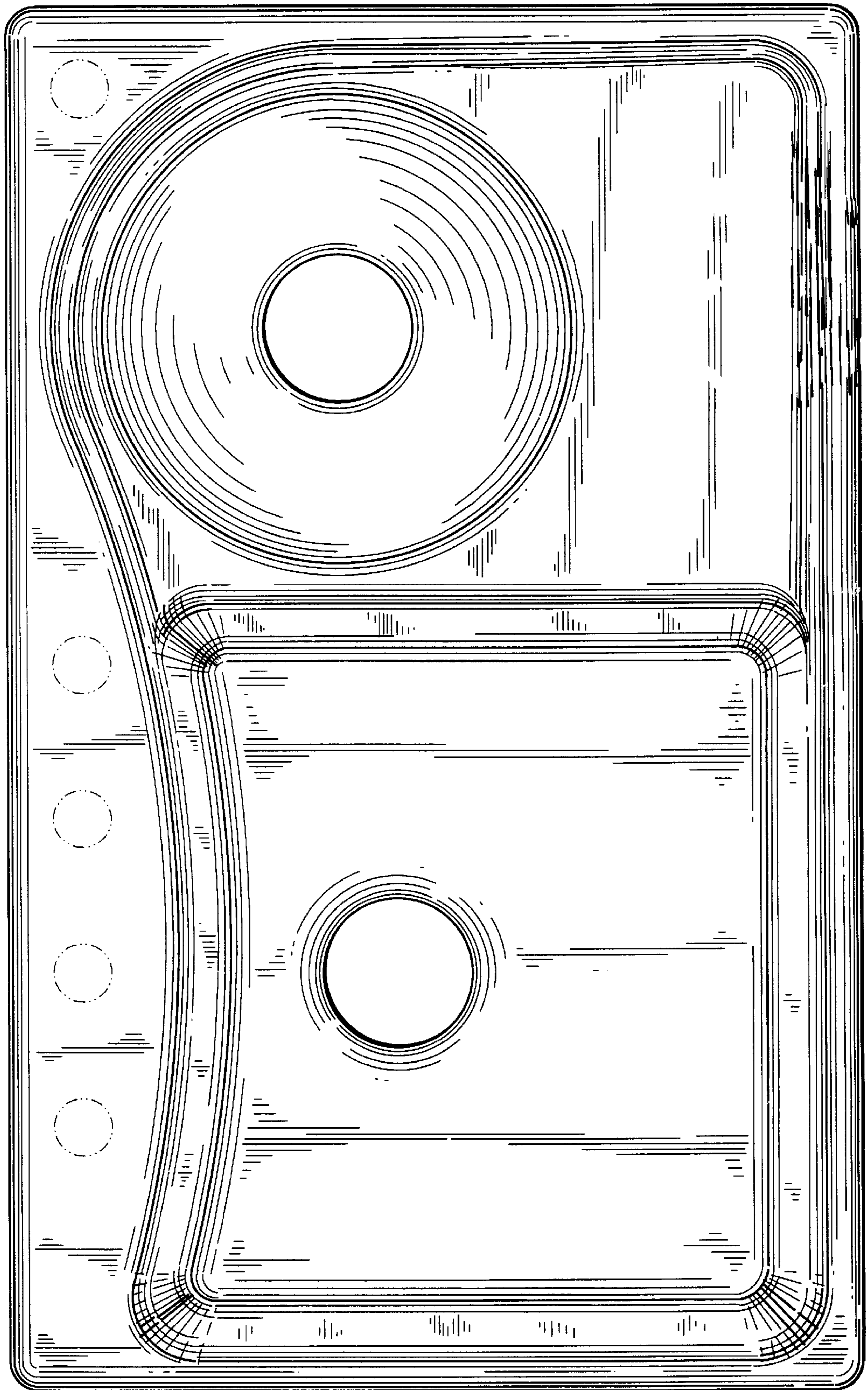


FIG. 9

FIG. 10

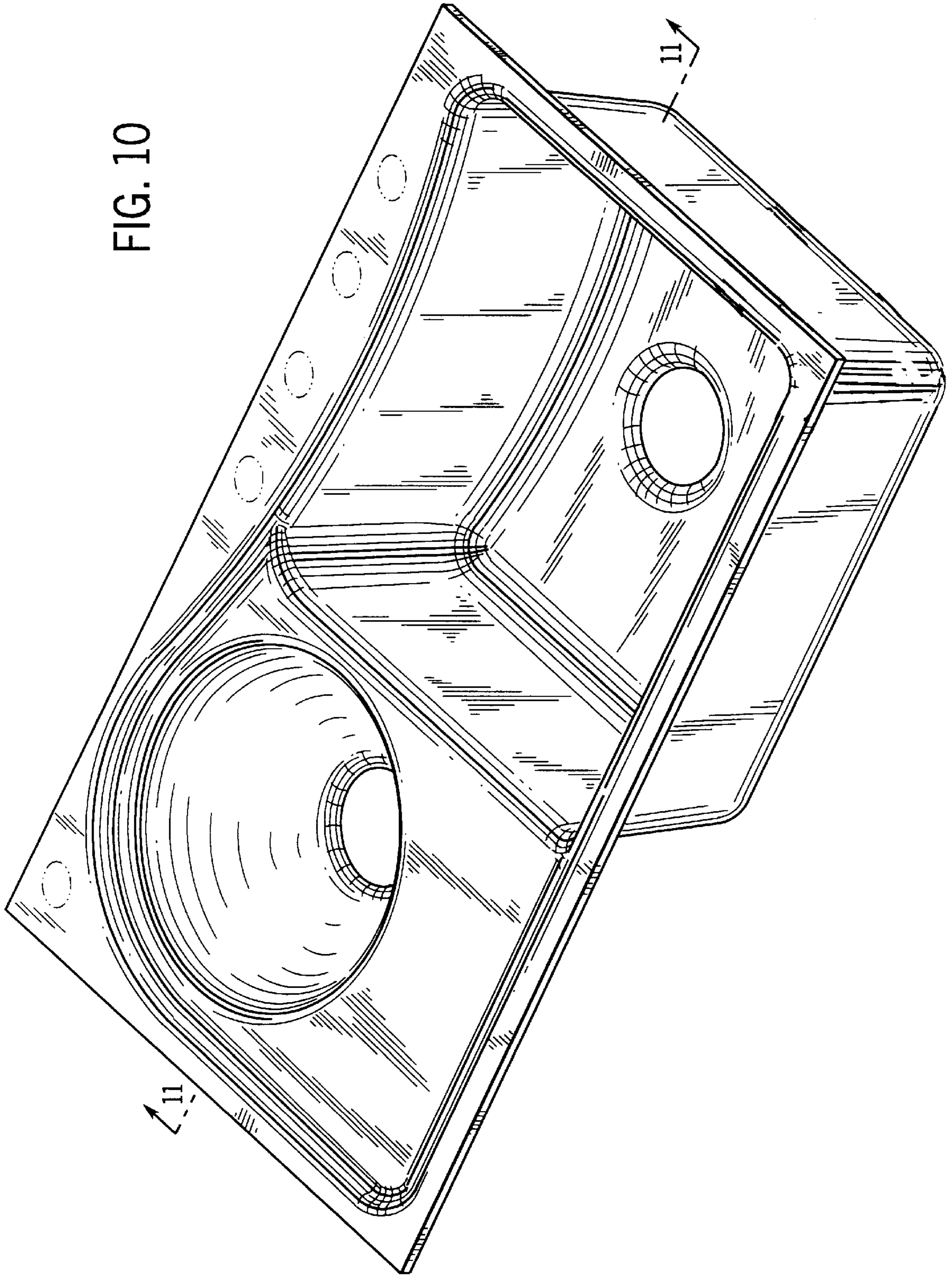
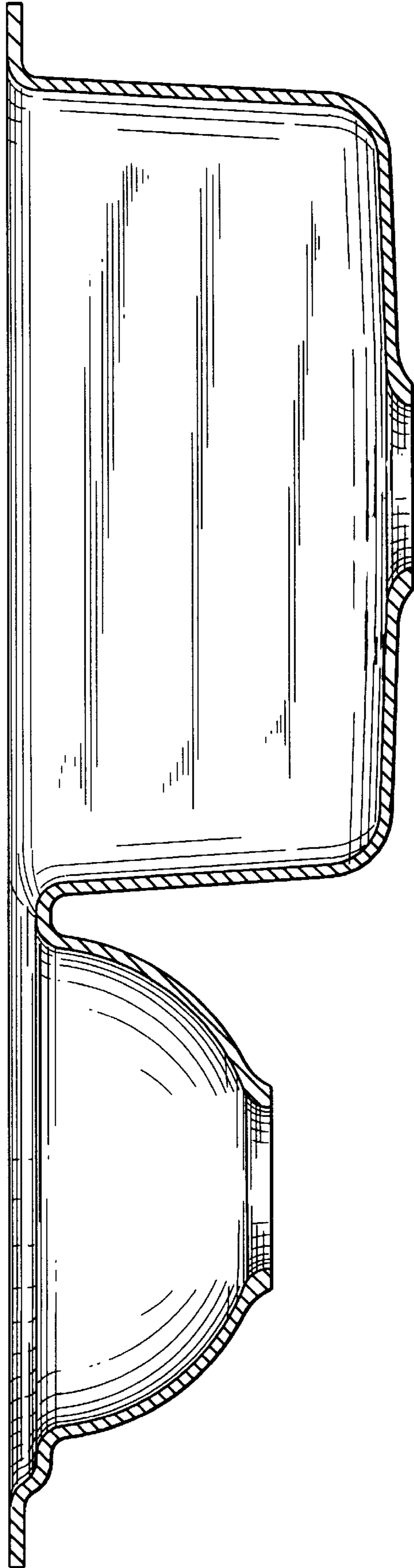


FIG. 11



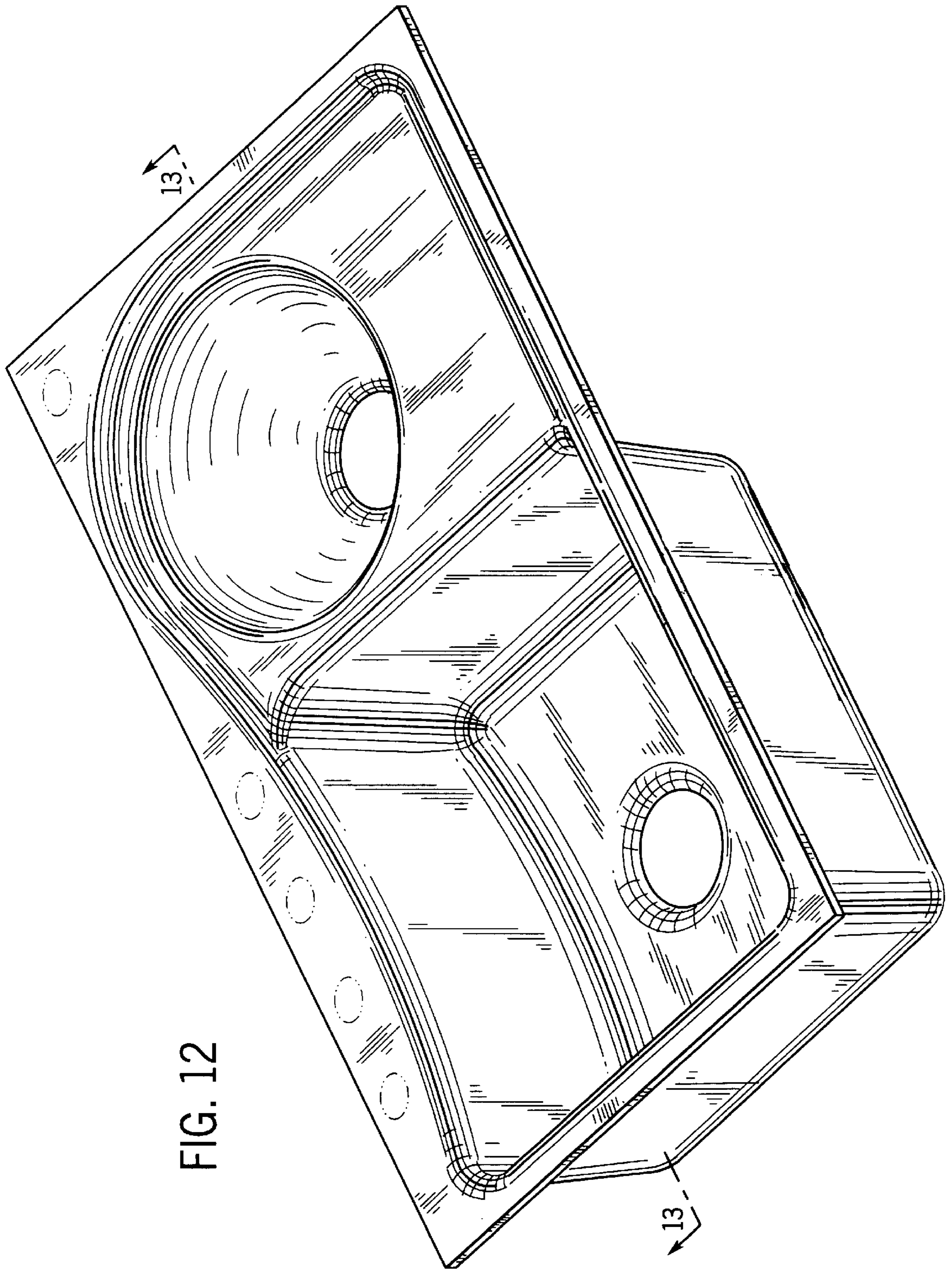


FIG. 12

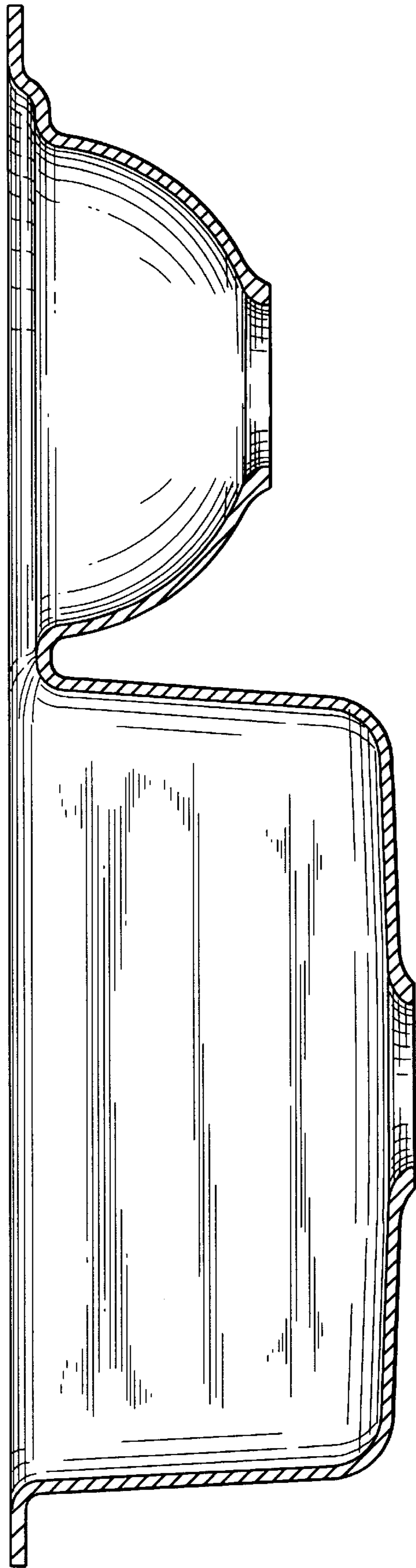


FIG. 13

UNITED STATES PATENT AND TRADEMARK OFFICE
CERTIFICATE OF CORRECTION

PATENT NO. : Des. 402,358
DATED : December 8, 1998
INVENTOR(S) : Thomas A. Bonnell

It is certified that error appears in the above-identified patent and that said Letters Patent is hereby corrected as shown below:

ON THE TITLE PAGE:

Item [56]; References Cited; U.S. PATENT DOCUMENTS:
"Bunnell et al." should read --Bonnell, et al.--

IN THE DESCRIPTION:

In the Fig. 12 description, after "embodiment",
insert --which is identical to the second embodiment--

Signed and Sealed this

Fourteenth Day of September, 1999

Attest:



Q. TODD DICKINSON

Attesting Officer

Acting Commissioner of Patents and Trademarks