



US00D402356S

# United States Patent [19] Hodge

[11] Patent Number: Des. 402,356

[45] Date of Patent: \*\*Dec. 8, 1998

[54] **COMBINED FILTER AND FRAME THEREFOR**

[76] Inventor: **Joseph Hodge**, P.O. Box 652, Owensville, Ohio 45160

[\*\*] Term: **14 Years**

[21] Appl. No.: **53,434**

[22] Filed: **Apr. 22, 1996**

3,938,973	2/1976	Fershaw .....	55/511
3,941,034	3/1976	Helwig et al. .	
4,334,899	6/1982	McConnell .	
4,340,402	7/1982	Catron .....	55/487
5,100,445	3/1992	Johnson et al. .	
5,176,570	1/1993	Liedle .	
5,240,487	8/1993	Kung .	
5,249,765	10/1993	Garcia .	
5,423,903	6/1995	Schmitz et al. .	
5,443,625	8/1995	Schaffhausen .	
5,464,461	11/1995	Whitson et al. ....	55/516

### Related U.S. Application Data

[62] Division of Ser. No. 170,091, Dec. 17, 1993, Pat. No. 5,525,145.

[51] **LOC (6) Cl.** ..... **23-04**

[52] **U.S. Cl.** ..... **D23/365**

[58] **Field of Search** ..... D23/355, 365, D23/393; 55/495, 511, 516, 518, 485, 486, 487; D6/300; D25/60

*Primary Examiner*—Lisa Lichtenstein  
*Attorney, Agent, or Firm*—Steven J. Rosen

### [57] CLAIM

The ornamental design for a combined filter and frame therefor, as shown and described.

### DESCRIPTION

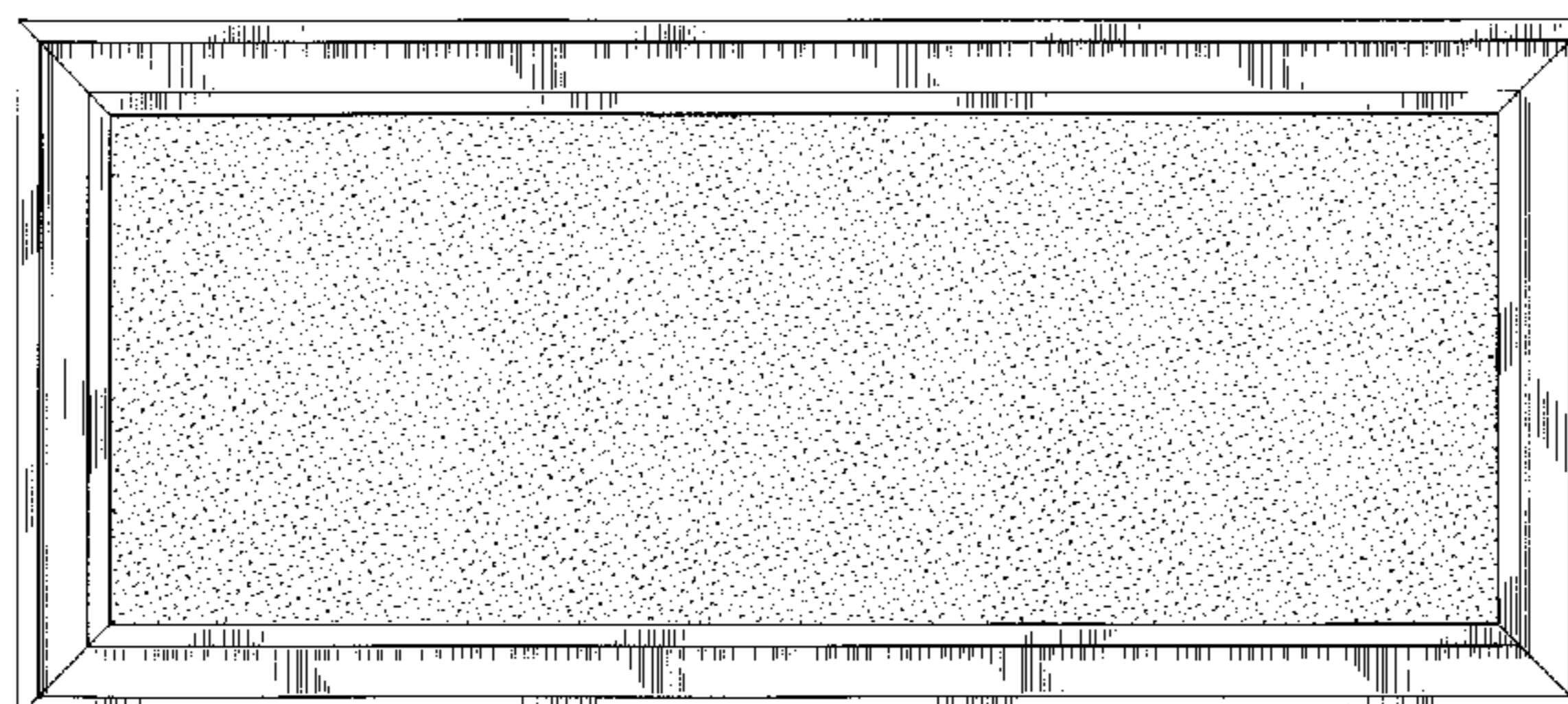
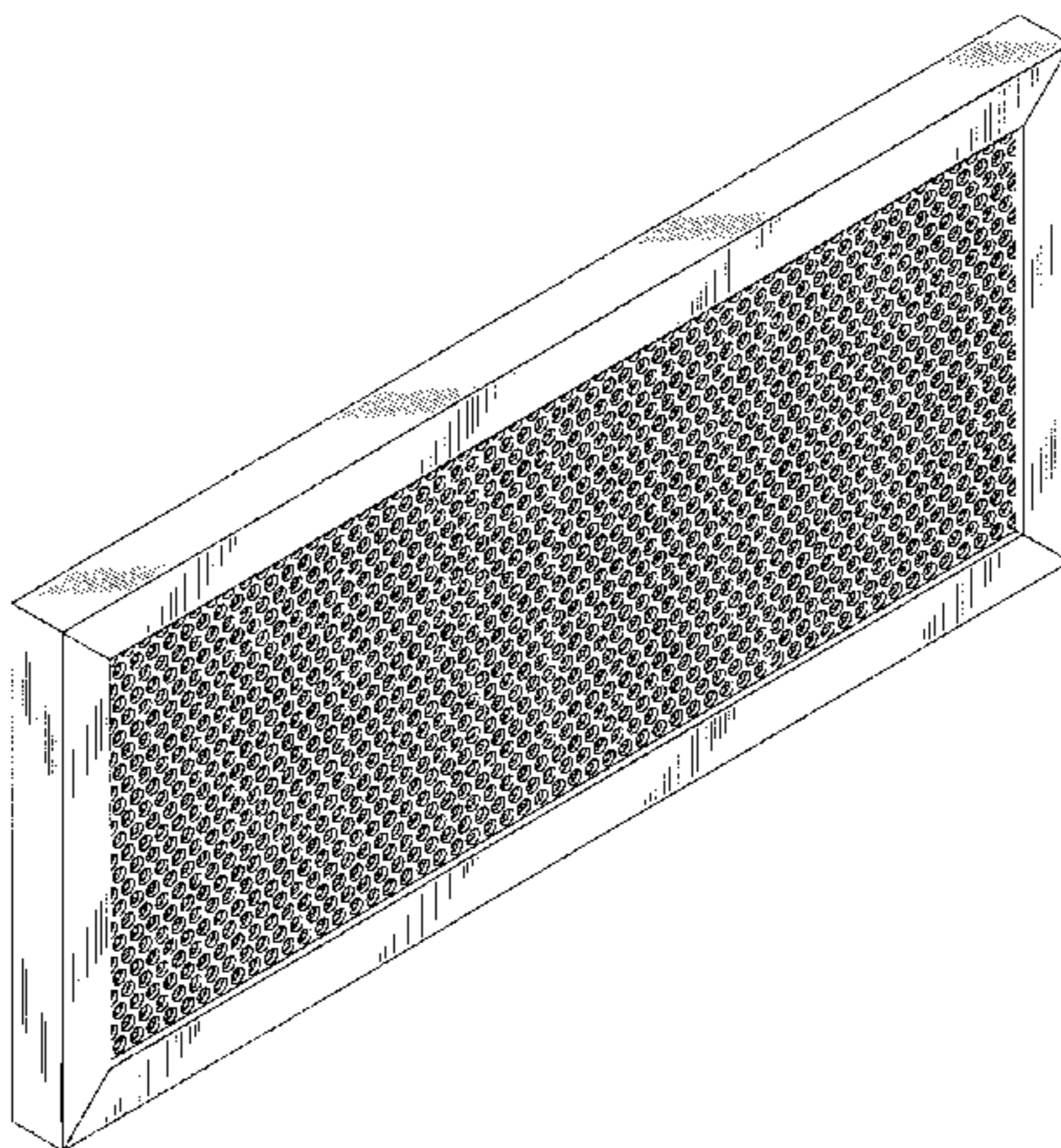
FIG. 1 is a perspective view of a combined filter and frame therefor showing my new design;  
 FIG. 2 is a front elevational view thereof;  
 FIG. 3 is a top elevational view thereof;  
 FIG. 4 is a side elevational view thereof;  
 FIG. 5 is a back elevational view thereof;  
 FIG. 6 is a partially cut away perspective view thereof;  
 FIG. 7 is a perspective view of a second embodiment of the removable filter grill shown in FIG. 1;  
 FIG. 8 is a top elevational view of the embodiment in FIG. 7;  
 FIG. 9 is a back elevational view of the embodiment in FIG. 7;  
 FIG. 10 is a bottom elevational view of the embodiment in FIG. 7.  
 The side opposite that shown in FIG. 7 is a mirror image of that shown.

### [56] References Cited

#### U.S. PATENT DOCUMENTS

D. 278,865	5/1985	McCaffrey .....	D6/300
1,429,811	9/1922	Tynan .	
1,737,532	11/1929	Allen .	
2,575,499	11/1951	Manow .	
2,825,500	3/1958	McLean .	
2,877,863	3/1959	Lurie .....	55/518
3,003,581	10/1961	Greason .	
3,046,719	7/1962	Tropiano .	
3,382,958	5/1968	Muehl .	
3,679,505	7/1972	Hinderaker et al. .	
3,823,926	7/1974	Bracich .	
3,831,765	8/1974	Dlynn et al. .	
3,905,787	9/1975	Roth .	
3,912,473	10/1975	Wilkins .	

**1 Claim, 8 Drawing Sheets**



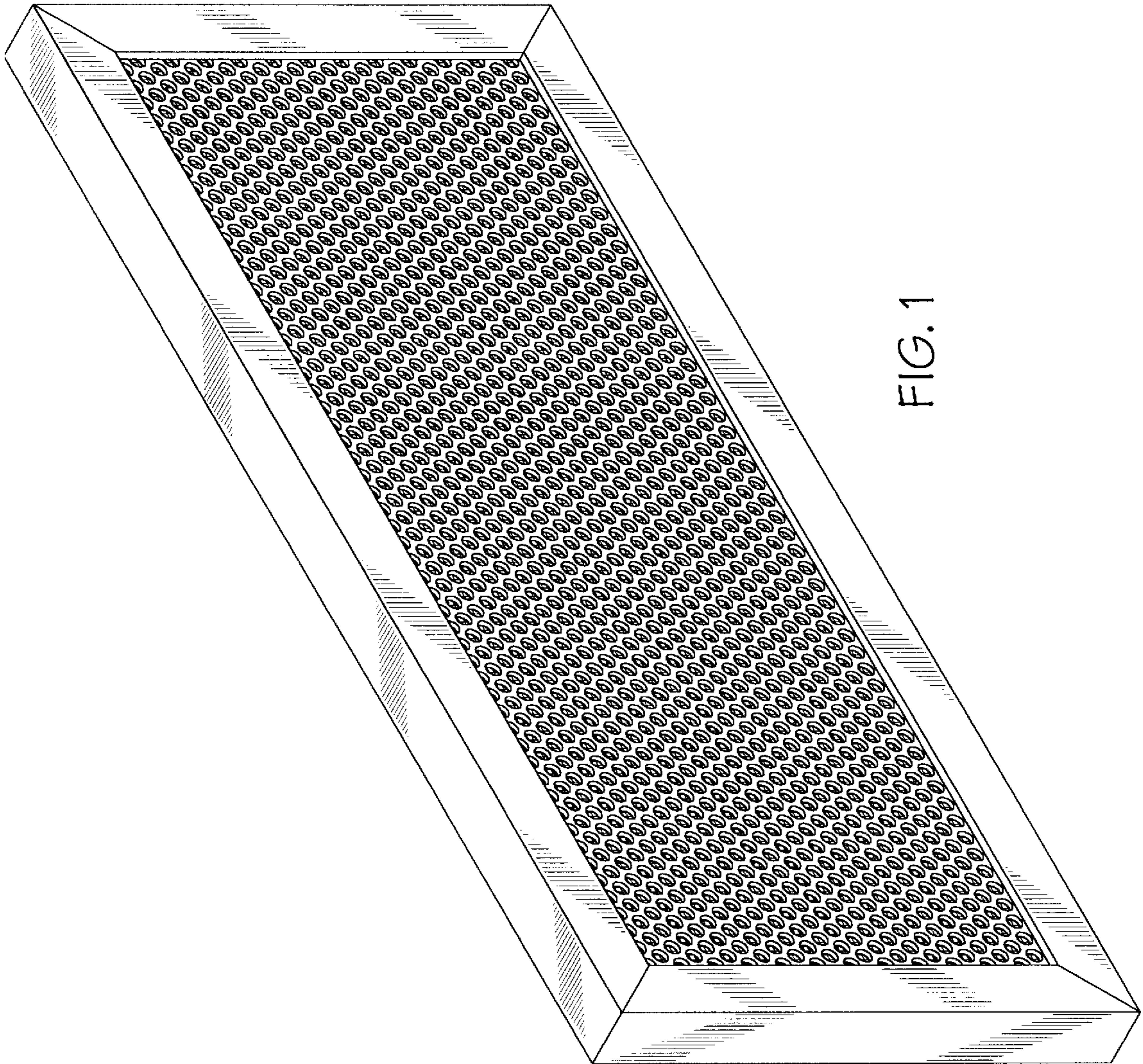


FIG. 1

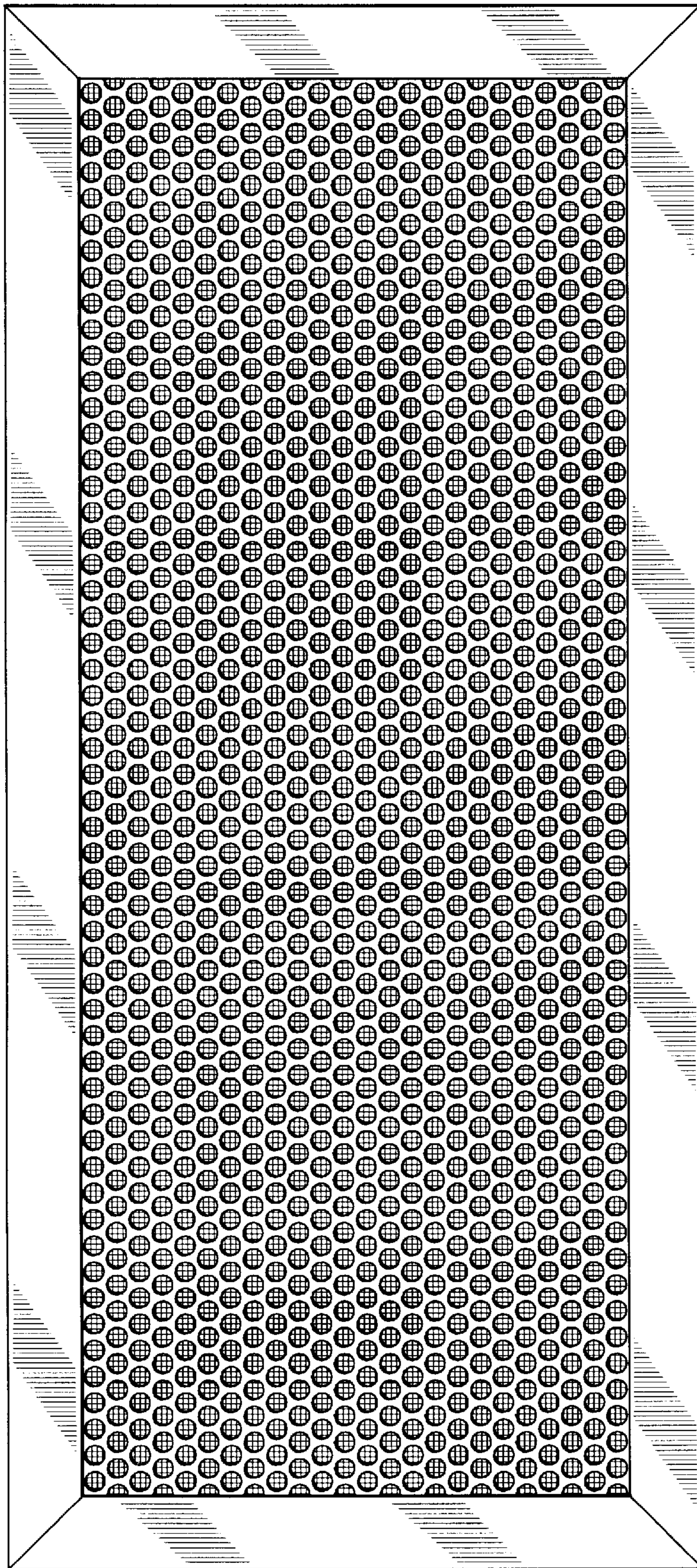


FIG. 2

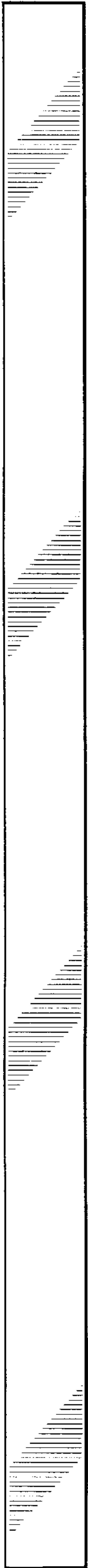


FIG. 3



FIG. 4

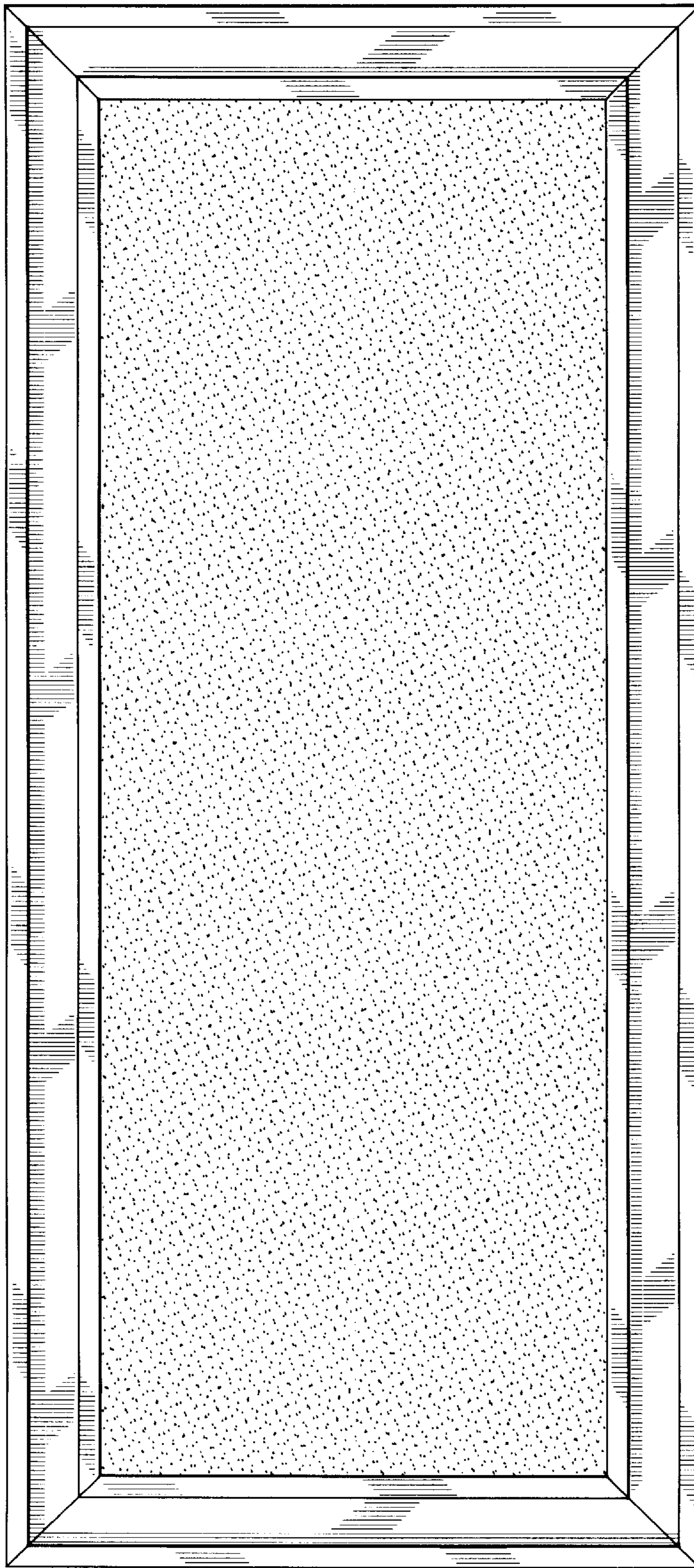


FIG. 5

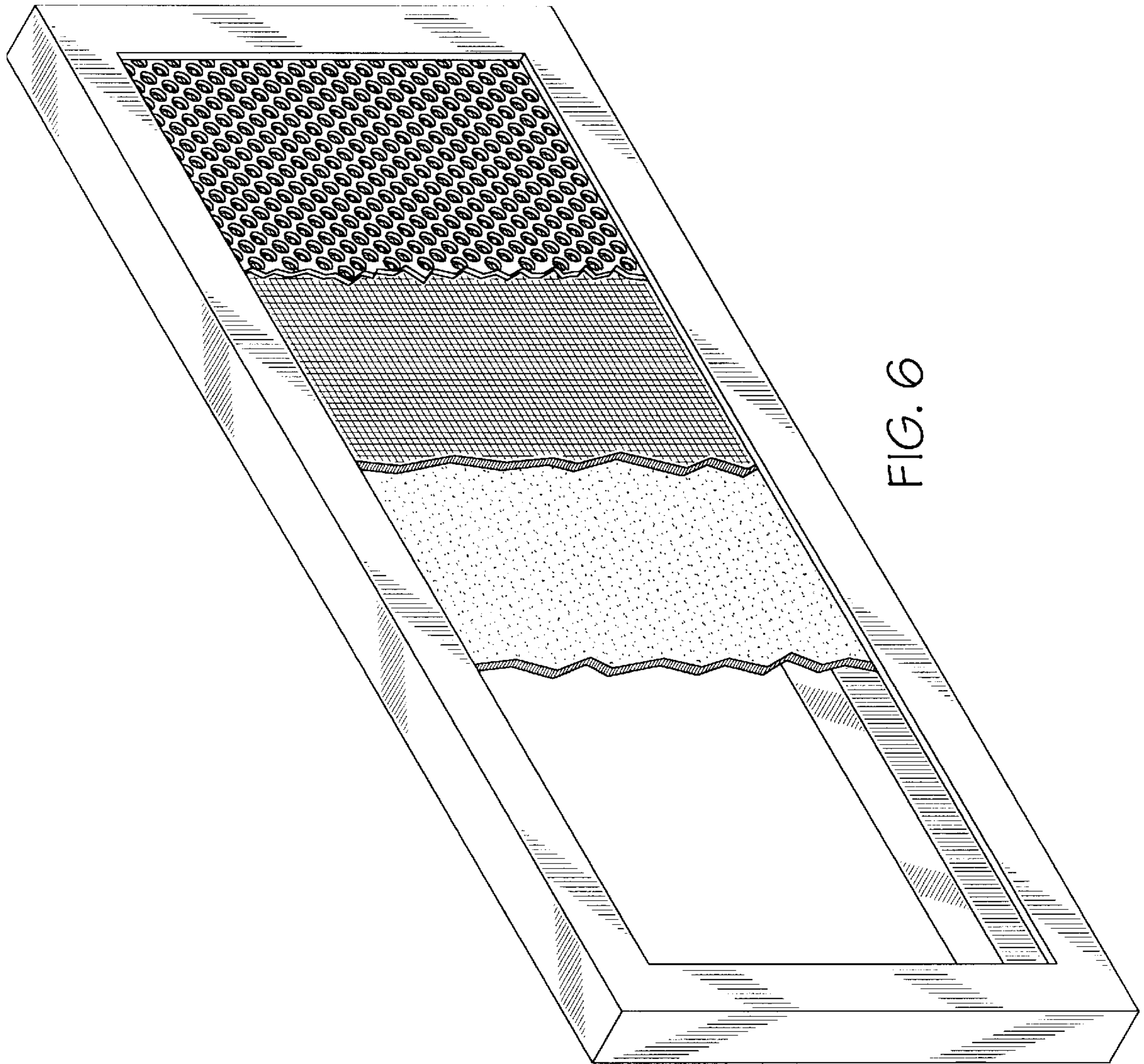


FIG. 6

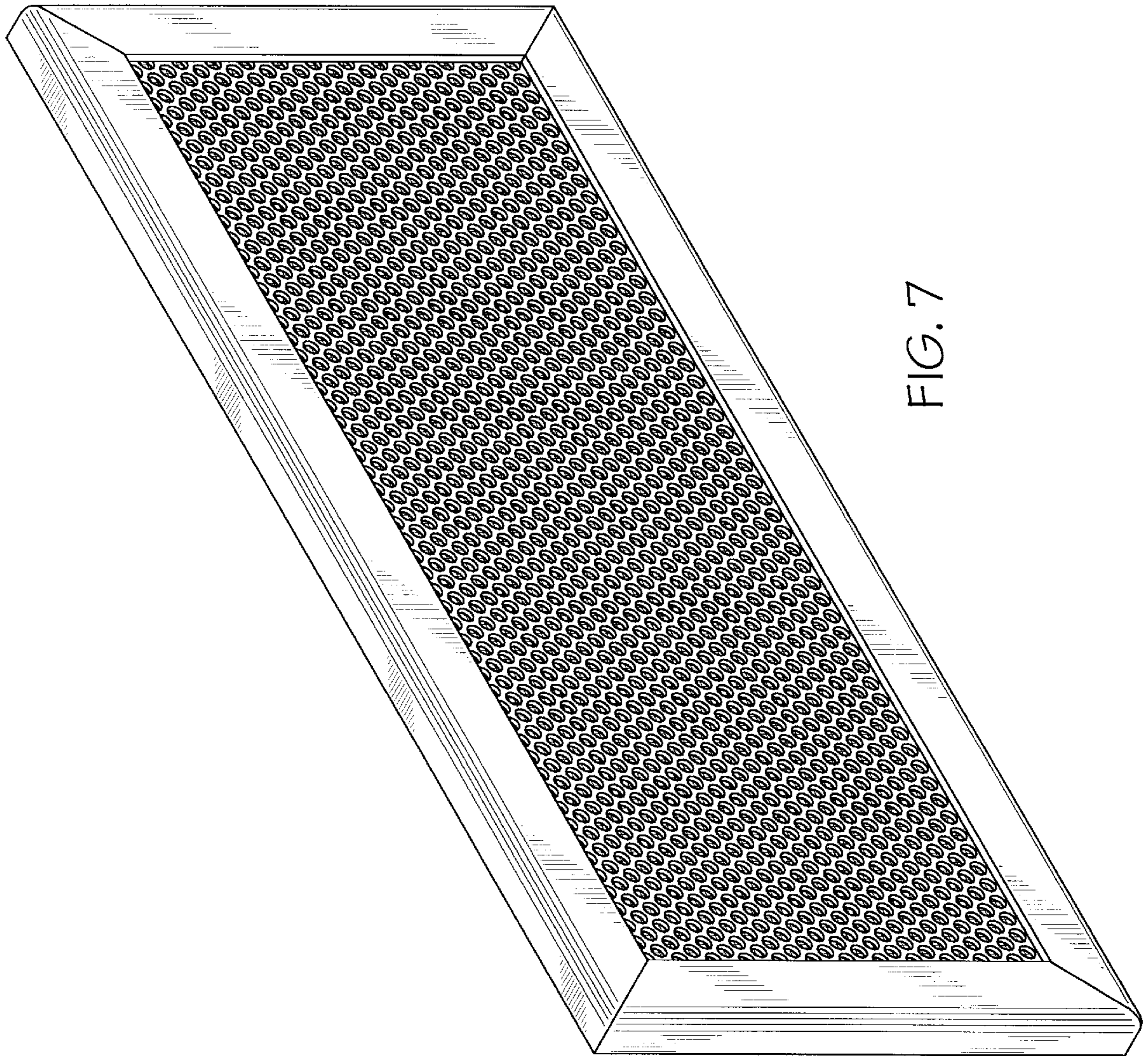


FIG. 7

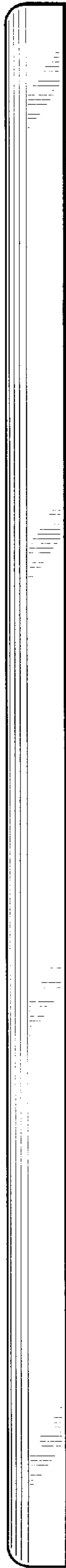


FIG. 8



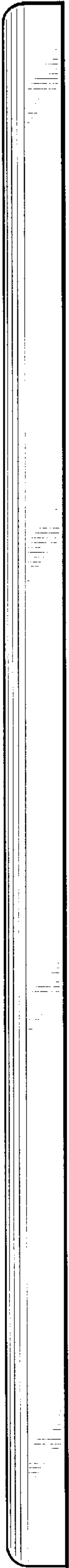


FIG. 10

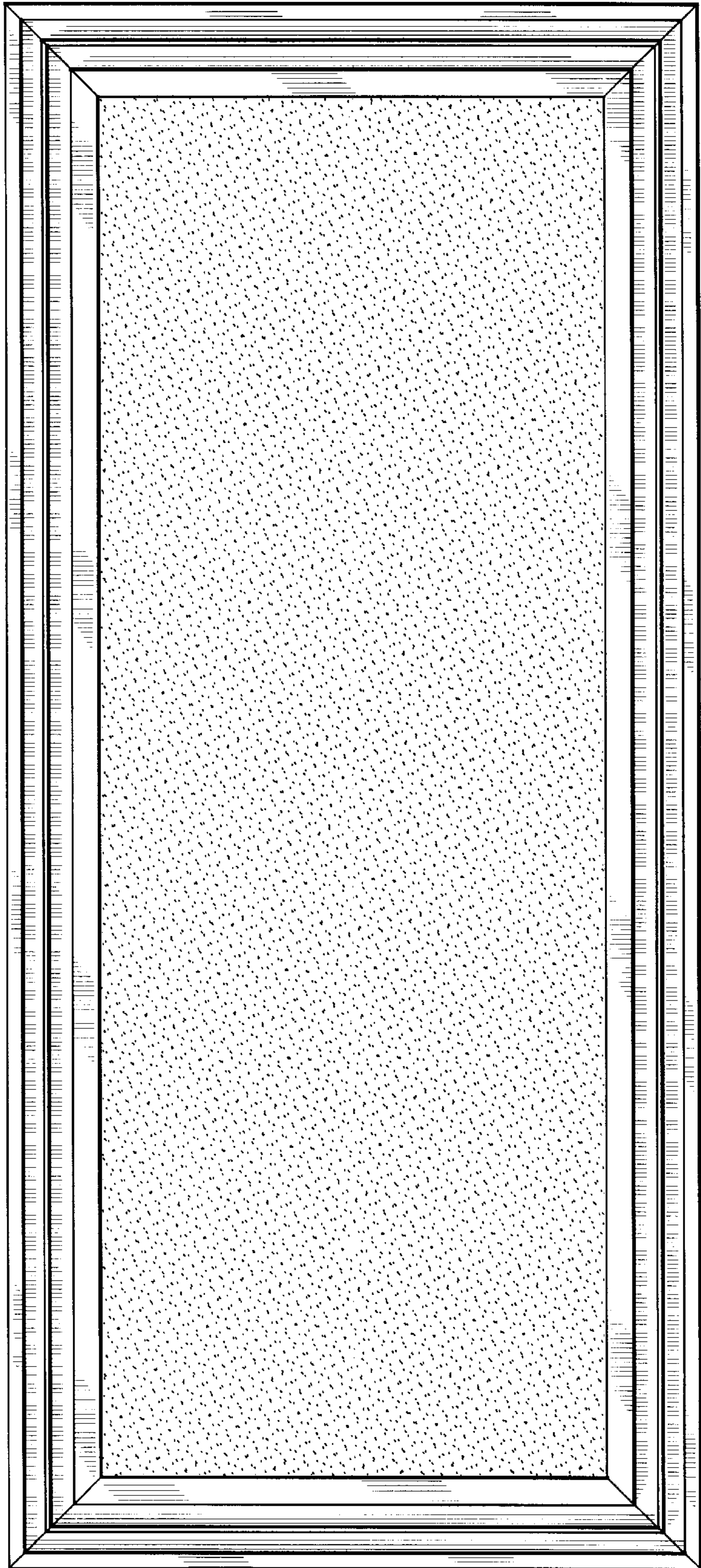


FIG. 9